

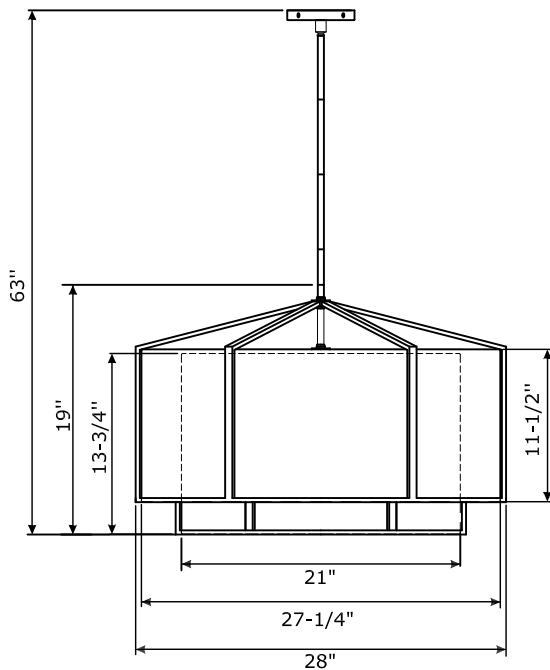
CRYSTORAMA

LIGHTING THE WAY FOR SIXTY YEARS



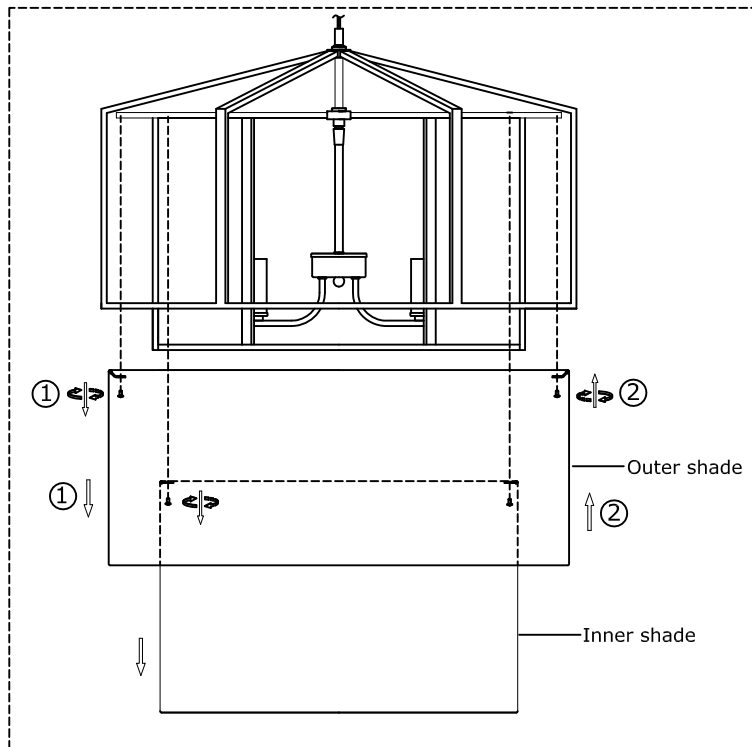
ASSEMBLY INSTRUCTION MODEL#CAR-9209-BK

Drawing (1)



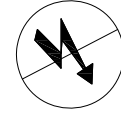
Shade replacement:

1. Separate the Shade from the Metal Frame by removing 3 Shade Screws. Do not discard the Shade Screws as these will be used later.
2. Put the new shade into the Metal Frame and fasten it using 3 Shade Screws.
3. Repeat for the other Shade.

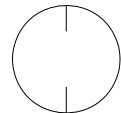


Drawing (3)

WARNING:



Electrical Danger



Turn Power off

All electrical components must be installed by a licensed electrician in accordance with the National Electric Code and the appropriate local electrical codes.



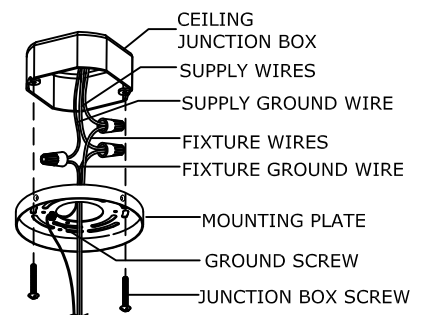
You will need 6- Candelabra
40 Watts Recommended 60 Watts Max.
USE LED BULBS FOR EXTENDED USE

THIS FIXTURE IS DRY RATED

How to install for hanging:

1. Determine the desired hanging height and choose the correct length of rod.
2. Feed fixture wires through the rod and canopy. Connect the rods together and then screw the rod assembly onto the top of the frame and the swivel onto the canopy separately.
3. The canopy of the fixture can now be mounted to the ceiling by following instruction **Drawing 2**.
4. Place the Candle Sleeve over the Socket, then Install the Bulb into the Socket.

Drawing (2)



WARNING: This product can expose you to Lead which is known to the state of California to cause cancer and/or birth defects or reproductive harm. For more information go to www.P65Warnings.ca.gov.

CRYSTORAMA

LIGHTING THE WAY FOR SIXTY YEARS



ASSEMBLY INSTRUCTION MODEL# CAR-9209-BK

Part Number

Part Numbers

- A. (1)-Mounting hardware
- B. (1)- Canopy W5"x H3/4"(XFW9201BKCAN5IN)
- C. (3)- Canopy Screw
- D. (3)-Long Rod W1/2"x H12" (XFW9201BKROD12IN)
- E. (1)-Short Rod W1/2"x H6" (XFW9201BKROD6IN)
- F. (1)-Metal Frame
- G. (1)-Outer shade W27-1/4"xH11-1/2"(XFW9209BKSHA27.25IN)
- H. (1)-Inner Shade W21"xH13-3/4"(XFW9209BKSHA21IN)
- I. (6)-Bulbs (Not Included)
- J. (6)-Candle Sleeve W7/8"x H3-1/4"(XFW9206BKCDL3.25IN)

