

CRYSTORAMA

LIGHTING THE WAY FOR SIXTY YEARS



Crystorama.com

ASSEMBLY INSTRUCTION MODEL #BOL-8884-PN

WARNING



Electrical Danger



Turn Power Off

All electrical components must be installed by a licensed electrician in accordance with the National Electric Code and the appropriate local electrical codes.



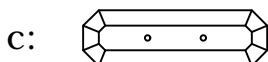
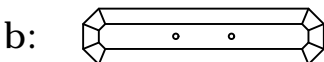
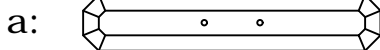
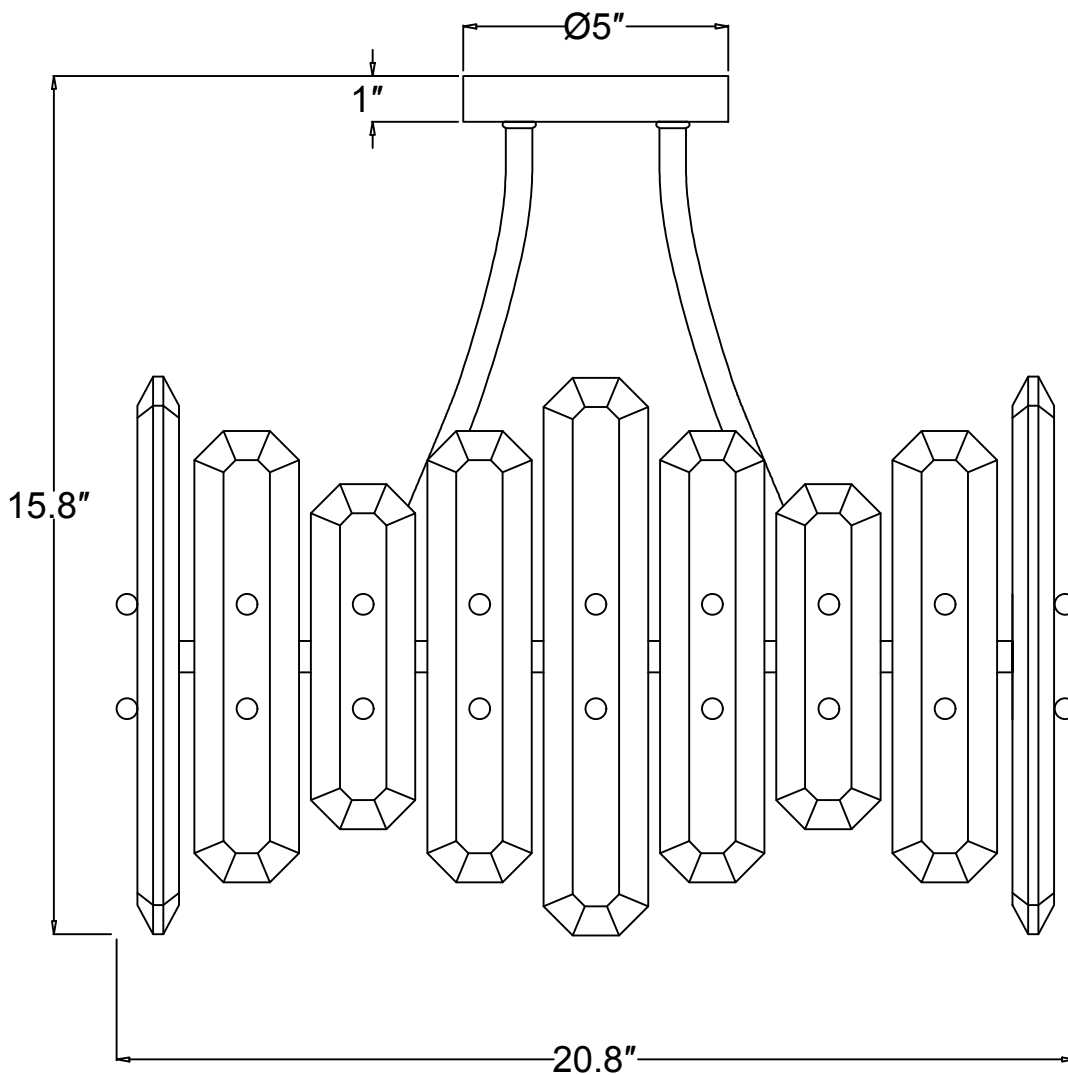
You will need 4-Cand. Bulb
40 watts Recommended 60 watts Max
USE LED BULBS FOR EXTENDED USE
This fixture is DRY Rated

How to Install

1. Connect the fixture onto the outlet box in the ceiling.
2. Secure the crystal onto the fixture with the ball nuts.
3. Install the recommended bulbs (not included) into each socket.

CRYSTAL SETS:

- a. 2"x0.8"x10.5"-7pcs
- b. 2"x0.8"x8.5"-14pcs
- c. 2"x0.8"x6.5"-7pcs



WARNING: This product can expose you to Lead, which is known to the State of California to cause cancer and/or birth defects or reproductive harm. For more information go to www.P65Warnings.ca.gov

CRYSTORAMA



LIGHTING THE WAY FOR SIXTY YEARS

PART NUMBER MODEL #BOL-8884-PN

Part Number

Part Numbers

- A. Mounting Hardware
 (1) Mounting Plate
 (2) Mounting Screw
 (3) Wire Nut

B. (1) Canopy; Ø5"x1"h; XMO8884PNCAN5IN

C. (4) Arm; Ø0.5"

D. (4) Candle Sleeve; Ø1"x2.8"h

E. (1) Bottom Ring

F. (56) Ball Nut; XMO8883PNBANUT

