

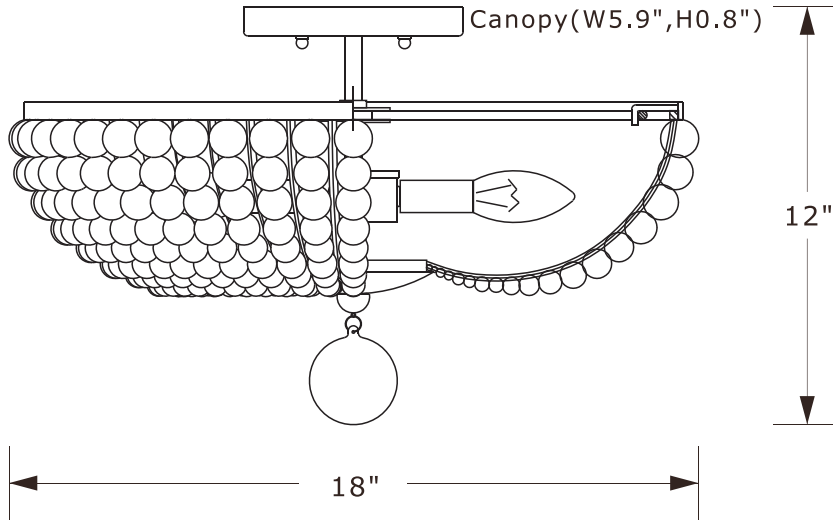
CRYSTORAMA

LIGHTING THE WAY FOR SIXTY YEARS



Crystorama.com

ASSEMBLY INSTRUCTION MODEL # BLA-10665-GA



All electrical components must be installed by a licensed electrician in accordance with the National Electric Code and the appropriate local electrical codes.



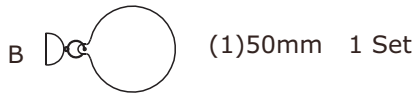
You will need 4 -Candelabra Base Bulb
40 Watts Recommended 60 Watts Max.
USE LED BULBS FOR EXTENDED USE
THE FIXTURE IS DAMP RATED

How to Install

1. Insert the threaded pipe into the bottom hole of the basket and secure with the finial.
2. Dress the the crystal ball as illustrated.
3. Install the mounting strap onto the outlet box.
4. Raise the frame up over the mounting strap and secure with the ball nut.
5. Install the bulb onto the socket.
6. Raise the basket over the frame and secure it by hooking it onto the ring of the frame.



(1)26mm+(2)24X2+(1)Ø22+(2)20+(1)18+(1)16+(1)14+(1)12mm+(2)10mm+(2)8mm+(2)6mm+(2)4mm 48 Sets



(1)50mm 1 Set

How to change the bulb:
Raise the basket up over the frame and the basket sideways to disconnect the hook from the frame.

WARNING: This product can expose you to Lead, which is known to the State of California to cause cancer and/or birth defects or reproductive harm. For more information go to www.P65Warnings.ca.gov.



PART NUMBER MODEL # BLA-10665-GA

Part Number

- A. (1)-Mounting Hardware
- B. (1)-Canopy(W5.9",H0.8") #XRE10665GACAN5.1IN
- C. (2)-Ball Nut #XRE10660GABANUT
- D. (1)-Frame
- E. (1)-Finial #XRE10665GAFIN
- F. (1)-Vase Cap #XRE10665GACAP
- G. (1)-Threaded Pipe
- H. (1)-Crystal ball #XRE10665CRY50MM

