

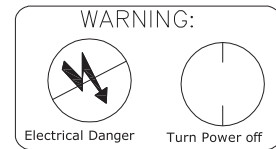
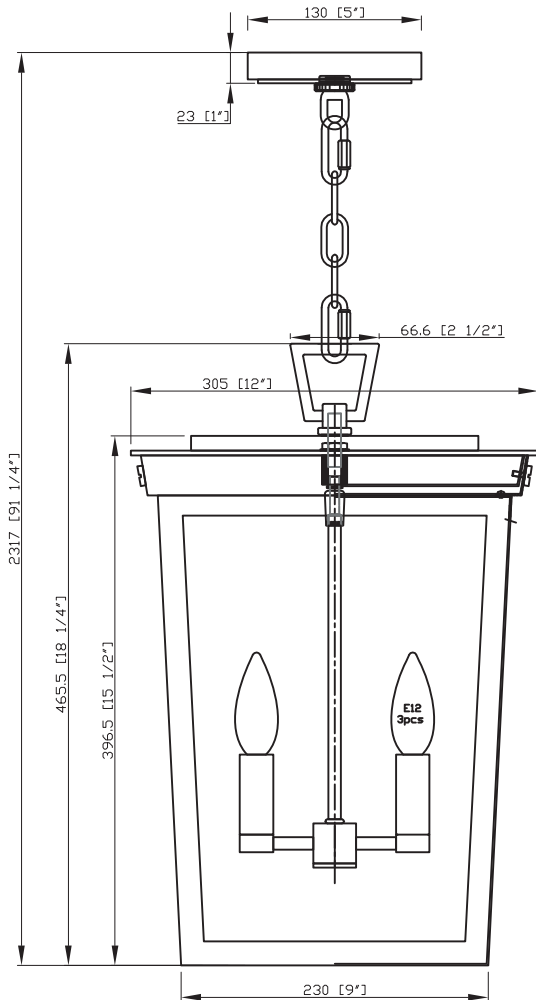
CRYSTORAMA

LIGHTING THE WAY FOR SIXTY YEARS

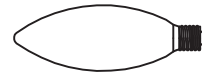


Crystorama.com

ASSEMBLY INSTRUCTION MODEL #BEL-A8065-GE



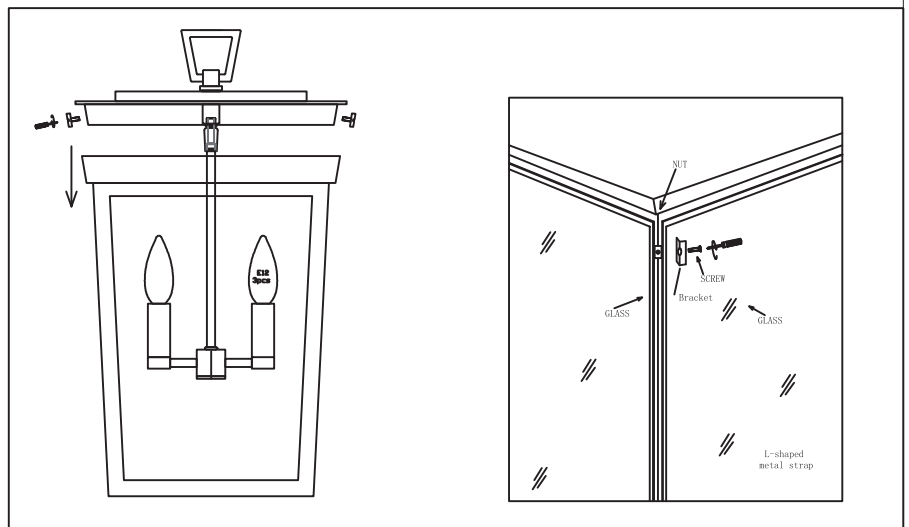
All electrical components must be installed by a licensed electrician in accordance with the National Electric Code and the appropriate local electrical codes.



You will need 3 – Cand. BULB
60 Watts Max Bulb not included
USE LED BULBS FOR EXTENDED USE
This fixture is wet rated

How to Install

1. Take the bottom cage off of the top cover by removing the four cap nuts
2. Insert two glass panels into adjacent sides of the bottom cage. While holding the glass, take a bracket and align the hole on the bracket with the hole on the cage. Tighten a screw into the hole securing the glass. Do not over tighten the glass to prevent breakage. Repeat for the remaining two glasses.
3. Install the bulb onto the socket.
4. Put the bottom cage back onto the top cover and secure with the cap nuts.



WARNING: This product can expose you to Lead, which is known to the State of California to cause cancer and/or birth defects or reproductive harm. For more information go to www.P65Warnings.ca.gov

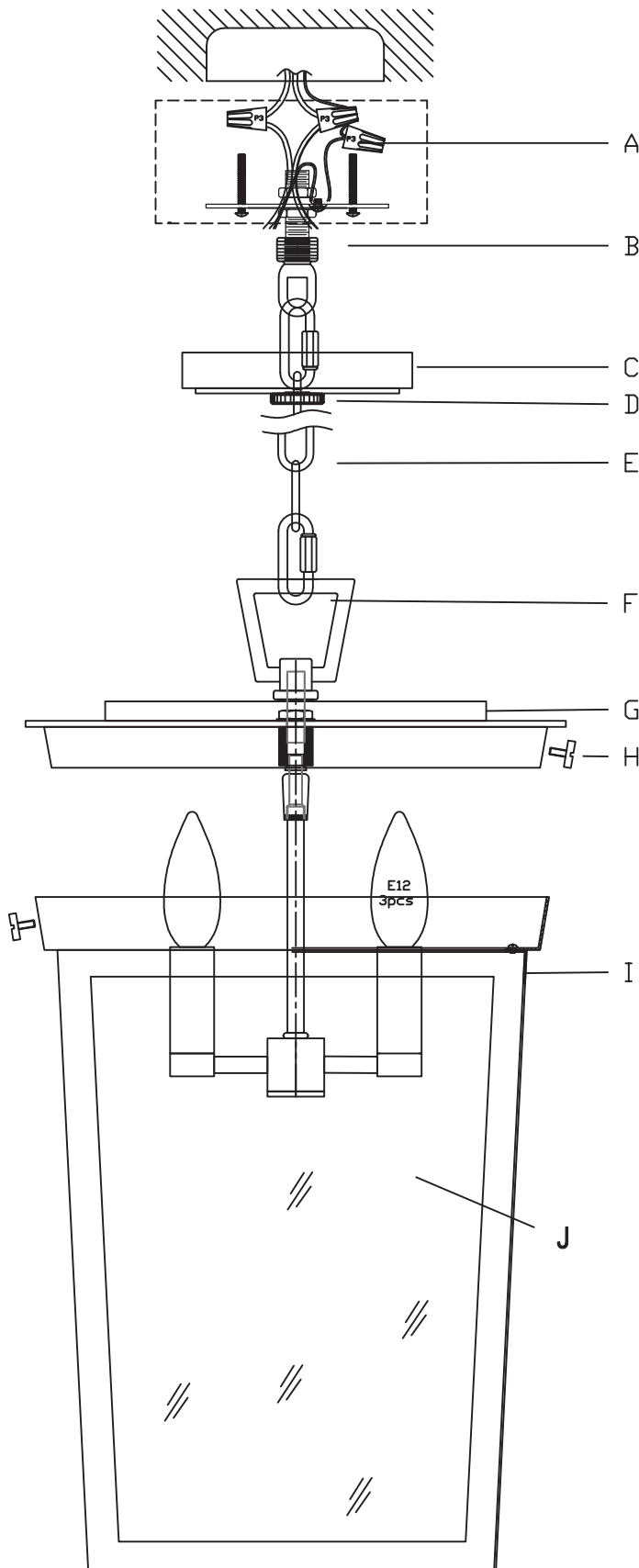
CRYSTORAMA

LIGHTING THE WAY FOR SIXTY YEARS



Crystorama.com

ASSEMBLY INSTRUCTION MODEL #BEL-A8065-GE



Part Number

Part Numbers

- A. (1)-Mounting hardware
- B. (1)-Screw collar loop
- C. (1)-Canopy D5"*0.75" XAR8065GECAN5IN
- D. (1)-Collar ring
- E. (1)-Chain \varnothing 4MM*72" XAR8065GECHA4MM
- F. (1)-Loop
- G. (1)-Top cover
- H. (4)-Cap Nut
- I. (1)-Bottom cage
- J. (4)-Glass panel XAR8063GEGLA13.5IN