

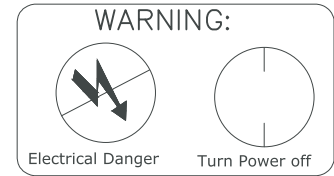
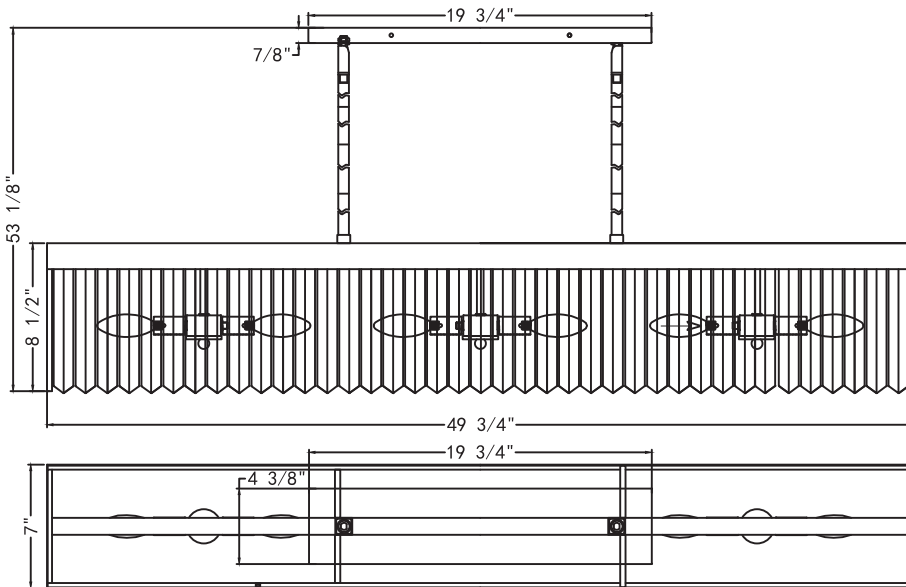
CRYSTORAMA

LIGHTING THE WAY FOR SIXTY YEARS



Crystorama.com

ASSEMBLY INSTRUCTION MODEL#ALI-B2007-CZ



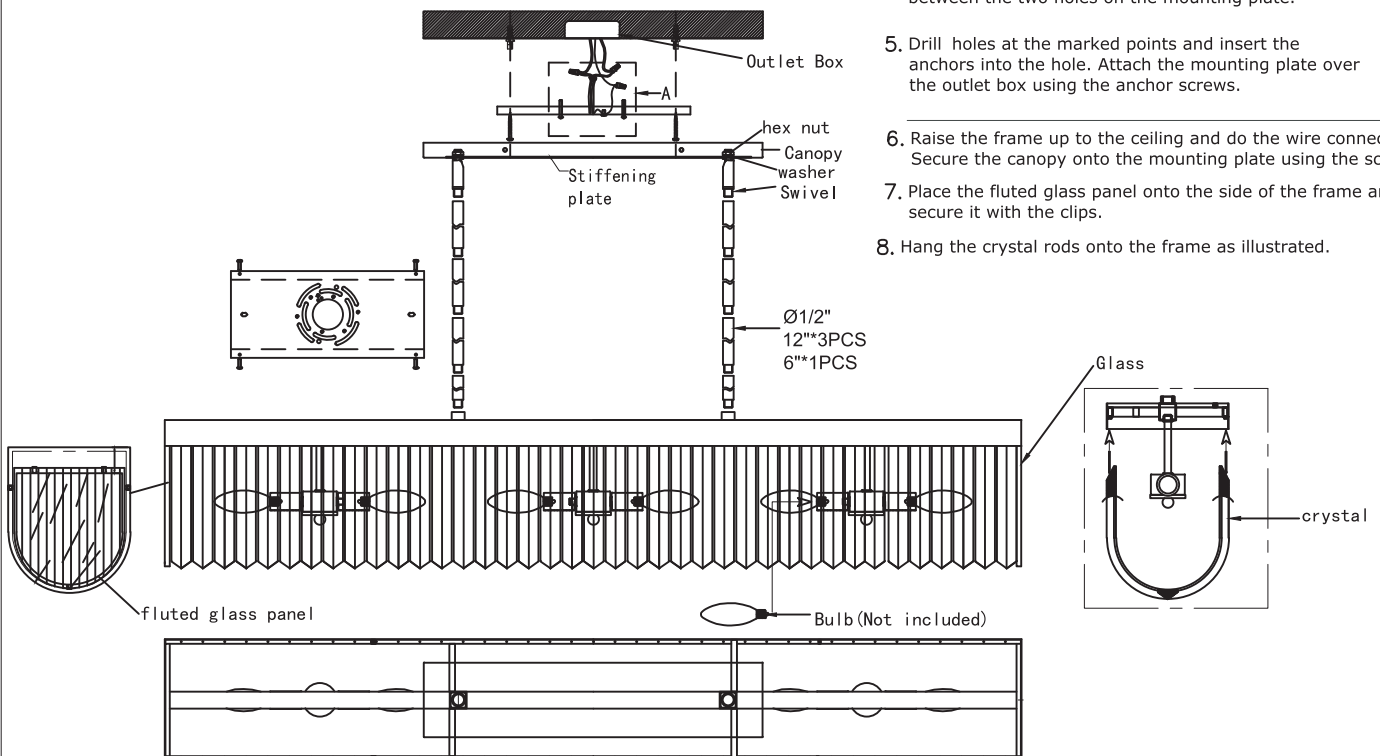
All electrical components must be installed by a licensed electrician in accordance with the National Electric Code and the appropriate local electrical codes.



You will need 6- Candelabra Base Bulb
40 Watts Recommended 60 Watts Max.
USE LED BULBS FOR EXTENDED USE
THE FIXTURE IS DAMP RATED

How to install

1. Decide the preferred hanging height and choose the correct length of rods needed.
2. Feed the wire through the rods and screw them together.
3. Screw one end of rods assembly onto the top of the frame and the other end onto the swivel on the canopy. Make sure that the slot on both swivels face same direction before securing it with washer and hex nut.
4. Place the mounting plate over the outlet box and mark two points on the ceiling with same distance as between the two holes on the mounting plate.
5. Drill holes at the marked points and insert the anchors into the hole. Attach the mounting plate over the outlet box using the anchor screws.
6. Raise the frame up to the ceiling and do the wire connections. Secure the canopy onto the mounting plate using the screws.
7. Place the fluted glass panel onto the side of the frame and secure it with the clips.
8. Hang the crystal rods onto the frame as illustrated.



WARNING: This product can expose you to Lead which is known to the state of California to cause cancer and/or birth defects or reproductive harm. For more information go to www.P65Warnings.ca.gov

CRYSTORAMA

LIGHTING THE WAY FOR SIXTY YEARS



Crystorama.com

ASSEMBLY INSTRUCTION MODEL #ALI-B2007-CZ

Part Numbers

Part Numbers

- A. (1)-Mounting hardware
- B.(1)-Mounting bracket;
- C.(1)-Canopy:L19 3/4"XW4 3/8"XH7/8" XAR2007CZCAN19.75IN
- D. (2)-hex nut
- E.(2)-washer
- F.(4)-Screw
- G.(2)-Swivel
- H.(1)-Rod $\text{\O}1/2"$ X12"*6 PCS XAR2007CZROD12IN
- I.(1)-Rod $\text{\O}1/2"$ X6"*2 PCS XAR2007CZROD6IN
- J.(6)-Bulb (Not included)
- K.(2)-Fluted glass panel W6 1/2"XH8" XT1/8" XAR2007GLA61.5IN
- L.(39)-crystal 7"XH7 3/4"
- M.(2)-Wall Anchor
- N.(2)-Anchor screw

