

# CRYSTORAMA

LIGHTING THE WAY FOR SIXTY YEARS



Crystorama.com

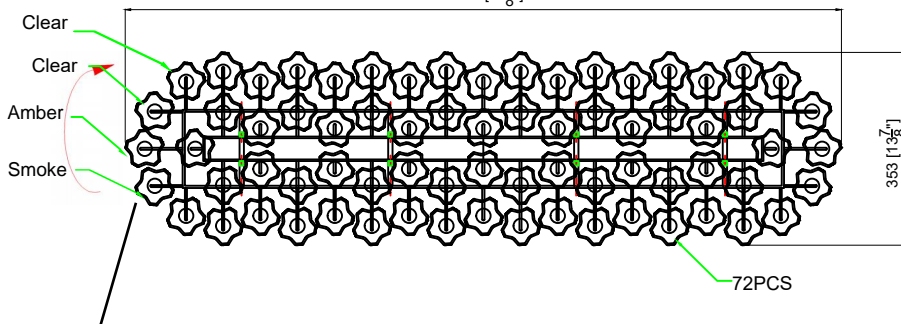
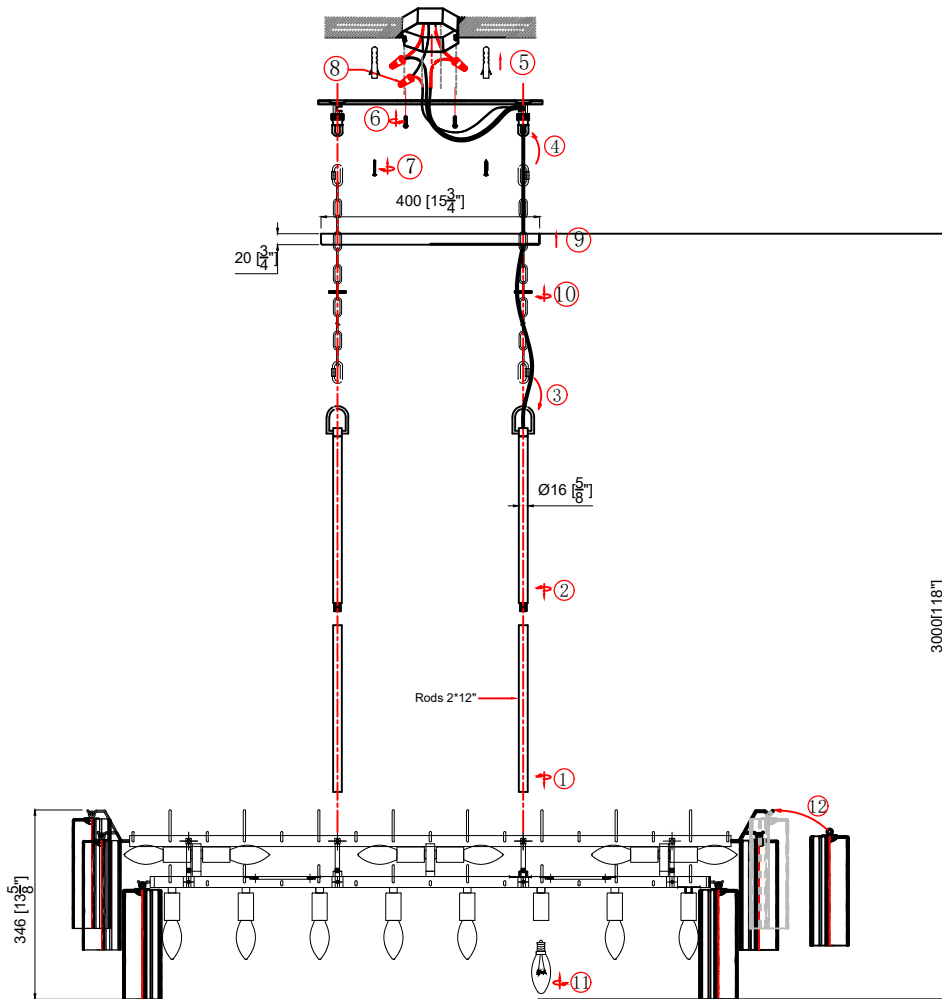
## ASSEMBLY INSTRUCTION MODEL ADD-317-CH-AU



All electrical components must be installed by a licensed electrician in accordance with the National Electric Code and the appropriate local electrical codes.



You will need 14 Candelabra Base Bulb  
40 Watts Recommended 60 Watts Max.  
**USE LED BULBS FOR EXTENDED USE**  
( This fixture is Dry rated)



Dress glass from here

Dress the glass from inner ring, clockwise, in order of:  
(1) Clear Glass , (1) Clear Glass,  
(1) Amber Glass and (1) Smoke Glass  
Make sure the grooves of the glass are facing inward

### How to Install

1. Decide the preferred hanging height and choose the correct length of rods and chain needed.
2. Feed the wires through the rods and screw the rods onto the top of the fixture. Attach the quick link on one end of the chain to the top of the rod. Repeat for the other rod using another chain.
3. Place the mounting plate over the outlet box and mark the points on the ceiling at the same distance as between the holes on the mounting plate.
4. Drill the holes at the marked points and insert the plastic anchors into it.
5. Attach the mounting plate onto the outlet box and secure with the anchor screws.
6. Feed the wires through the collar loop and hickey on the mounting plate, assemble the collar loop into the hickey. Raise the fixture up to the ceiling and do the wire connections. Put the canopy up against the ceiling and lock by tightening the screw collar loop ring.
7. Install the bulb into the socket.
8. Dress the glass as illustrated.

### Glass Sets

1. 36 pcs Clear glass 2 3/4x7 3/4"
2. 18 pcs Amber glass 2 3/4x7 3/4"
3. 18 pcs Smoke glass 2 3/4x7 3/4"

**WARNING:** This product can expose you to Lead, which is known to the State of California to cause cancer and/or birth defects or reproductive harm. For more information go to [www.P65Warnings.ca.gov](http://www.P65Warnings.ca.gov)

# CRYSTORAMA

LIGHTING THE WAY FOR SIXTY YEARS



Crystorama.com

PART NUMBER MODEL **ADD-317-CH-AU**

## Part Number

### Part Numbers

- A. (1)-Canopy L14.5"\*W5"\*H1  
(XBN317CHCAN14.5IN)
- B. (2)-Collar Loop
- C. (2)-Chain D5mm\*72"  
(XBN317CHCHA5MM)
- D. (2)-Loop
- E. (4)-12"Rods  
(XBN317CHROD12IN)
- F. (1)-Frame
- G. (36)-Clear glass,D2 3/4xH7 3/4"  
(XBN300CHCLGLA7.75IN)  
(18)-Amber glass,D2 3/4xH7 3/4"  
(XBN300CHAMGLA7.75IN)  
(18)-Smoke glass,D2 3/4xH7 3/4"  
(XBN300CHSMGLA7.75IN)

