

CRYSTORAMA

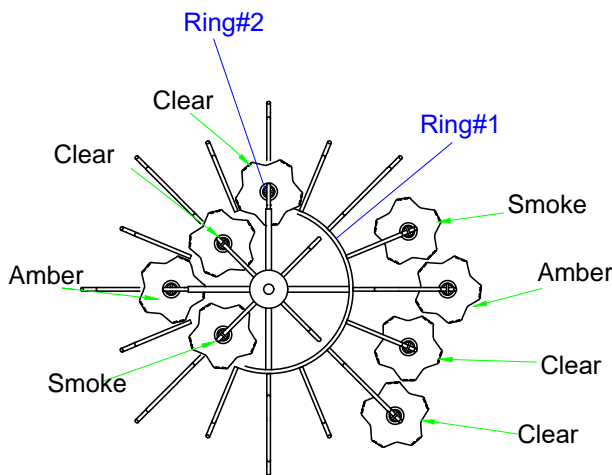
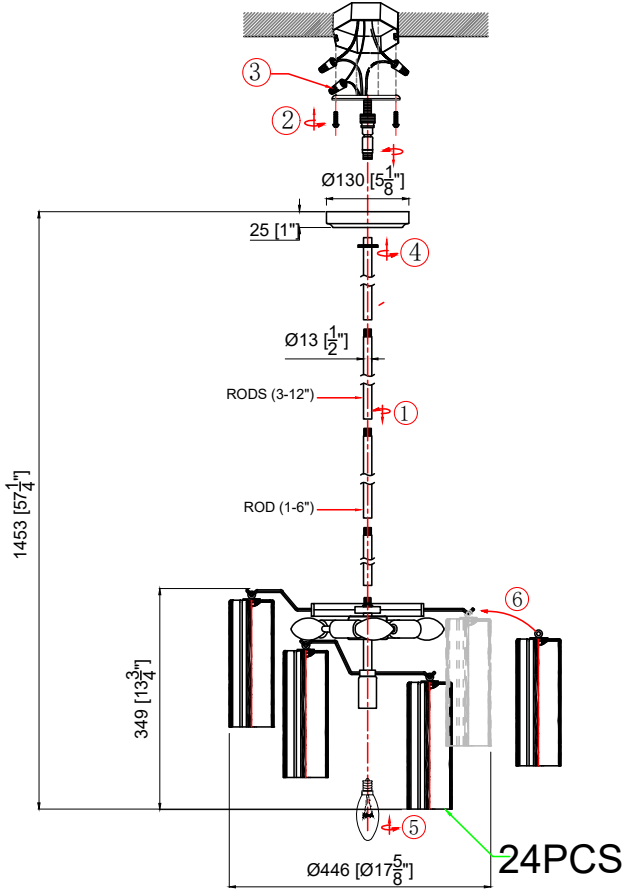
LIGHTING THE WAY FOR SIXTY YEARS



Crystorama.com

ASSEMBLY INSTRUCTION MODEL ADD-300-CH-AU_CEILING

For Pendant



Glass Installation Steps

1. Dress ring #1 and ring #2, clockwise, in order of:
(1) Smoke glass, (1) Amber glass, (1) Clear glass and (1) Clear Glass



All electrical components must be installed by a licensed electrician in accordance with the National Electric Code and the appropriate local electrical codes.



You will need 4 Candelabra Base Bulb
40 Watts Recommended 60 Watts Max.
USE LED BULBS FOR EXTENDED USE
(This fixture is Dry rated)

How to Install

1. Decide the preferred hanging height and choose the correct length of rods needed.
2. Feed the wires through the rods, screw collar ring and canopy (with a bigger center hole). Screw the rods together. Screw one end of the rod assembly onto the top of frame and the other end onto the swivel on the mounting strap.
3. Attach the mounting strap onto the outlet box.
4. Raise the fixture up to the ceiling and do the wire connections are made. Slip the canopy up along the rods and over the mounting strap. Secure with the screw collar ring.
5. Install the bulb into the socket.
6. Dress the glass as illustrated.

Glass Sets

1. 12 pcs Clear glass 2 3/4x7 3/4"
2. 6 pcs Amber glass 2 3/4x7 3/4"
3. 6 pcs Smoke glass 2 3/4x7 3/4"

WARNING: This product can expose you to Lead, which is known to the State of California to cause cancer and/or birth defects or reproductive harm. For more information go to www.P65Warnings.ca.gov

CRYSTORAMA

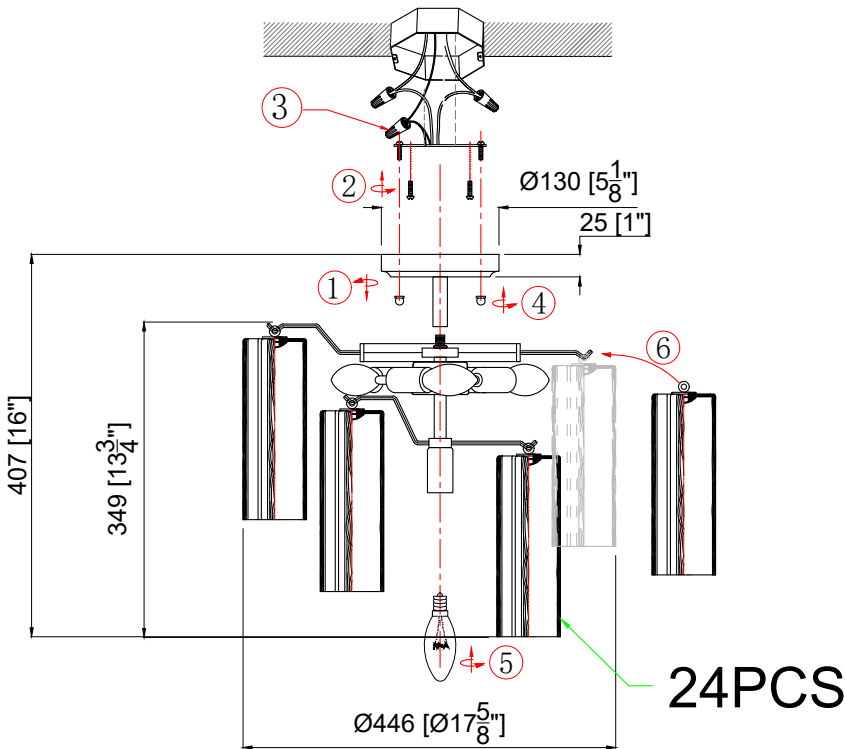
LIGHTING THE WAY FOR SIXTY YEARS



Crystorama.com

ASSEMBLY INSTRUCTION MODEL ADD-300-CH-AU_CEILING

For Ceiling



All electrical components must be installed by a licensed electrician in accordance with the National Electric Code and the appropriate local electrical codes.



You will need 4 Candelabra Base Bulb 40 Watts Recommended 60 Watts Max. USE LED BULBS FOR EXTENDED USE (This fixture is Dry rated)

How to Install

1. Screw the canopy kit (with a smaller center hole) onto the frame.
2. Attach the mounting strap onto the outlet box.
3. Raise the fixture up to the ceiling and over the mounting strap. When the wire connection is made, secure the canopy with two ball nuts.
4. Install the bulb into the socket.
5. Dress the glass as illustrated.

Glass Sets

1. 12 pcs Clear glass 2 3/4 x 7 3/4"
2. 6 pcs Amber glass 2 3/4 x 7 3/4"
3. 6 pcs Smoke glass 2 3/4 x 7 3/4"

WARNING: This product can expose you to Lead, which is known to the State of California to cause cancer and/or birth defects or reproductive harm. For more information go to www.P65Warnings.ca.gov

CRYSTORAMA

LIGHTING THE WAY FOR SIXTY YEARS



Crystorama.com

PART NUMBER MODEL **ADD-300-CH-AU_CEILING**

Part Number

Part Numbers

- A. (1)-Canopy, D 5 1/8 X H 1" (XBN300CHCAN5.125IN)
- B. (1)-Collar ring
- C. (1)-Swivel
- D. (1)-6" Rod (XBN300CHROD6IN)
- E. (3)-12" Rods (XBN300CHROD12IN)
- F. (1)-Frame
- G. (12)-Clear glass, D 2 3/4" x H 7 3/4"
(6) -Amber glass, D 2 3/4" x H 7 3/4"
(6) -Smoke glass, D 2 3/4" x H 7 3/4"

