

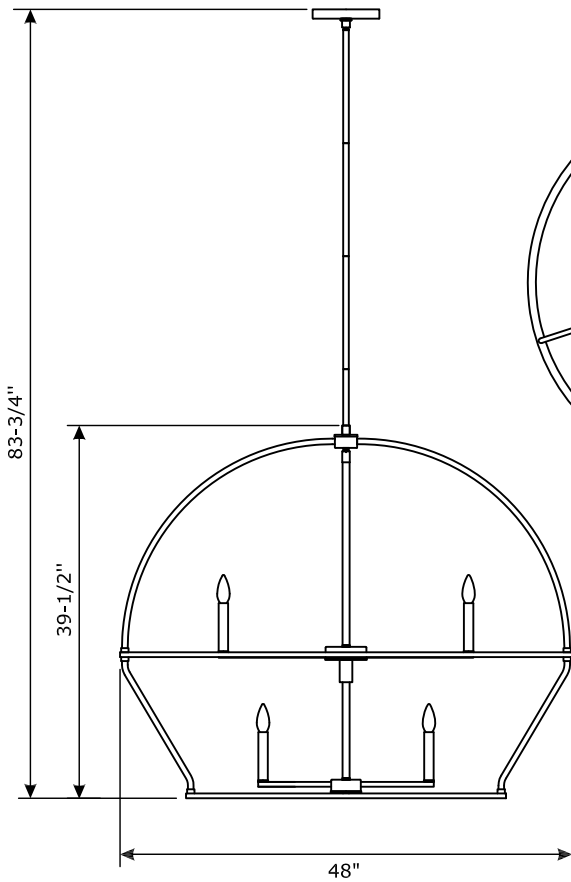
CRYSTORAMA

LIGHTING THE WAY FOR SIXTY YEARS

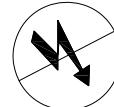


ASSEMBLY INSTRUCTION MODEL # ABB-3029-VG

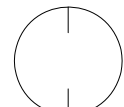
Drawing (1)



WARNING:



Electrical Danger



Turn Power off

All electrical components must be installed by a licensed electrician in accordance with the National Electric Code and the appropriate local electrical codes.



You will need 15-Candela
40 Watts Recommended 60 Watts Max.
USE LED BULBS FOR EXTENDED USE

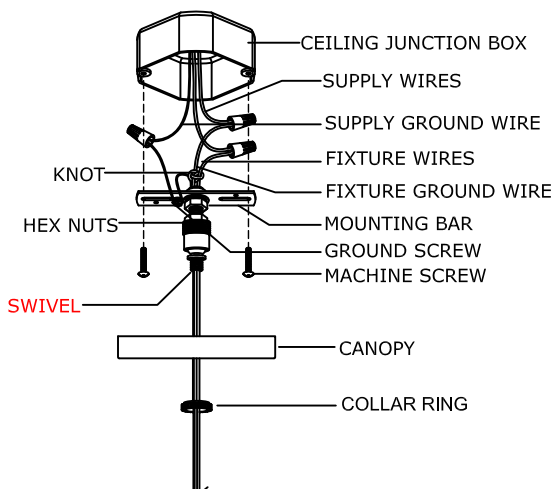
THIS FIXTURE IS DRY RATED

How to install for hanging:

Please place the fixture frame on a soft cloth covered table before the installation.

1. Screw one end of the Upper Center stem (H) onto the Top Distributor box (F), screw the other end of Upper Center stem (H) onto the Upper Light Cluster (I).
2. Slip the Lower Center stem (L) over the Coupling(N) & wire and screw it onto the Lower Light Cluster (O). Raise the Lower Center stem (L) up and connect the wire by inserting the Male Plug into the Female Plug. Carefully push the wires and plug back inside the small wire housing on the bottom of the Upper Light Cluster (I). Screw the Coupling (N) onto the small wire housing to secure the Lower light Cluster (O).
3. Insert one end of the Lower Rod (P) onto the Coupler on the Lower banding ring (Q) then loosely secure it together with the Screws (S) using the Wrench (T) supplied. Do not tighten it until you complete step #4. Repeat for all the Lower Rod (P).
4. Place the Upper banding ring (M) over the top of the Lower Rod (P). Secure them together with the Screws (S) using the Wrench (T) supplied.
5. Insert one end of the Arm (G) onto the Coupler on the Upper banding ring (M) then Loosely secure it together with the Screws (S) using the Wrench (T) supplied. Do not tighten it until you complete step#6.
6. Place the light cluster Kit inside the frame kit assembled above. Insert another end of the Arm (G) onto the stud on the Top Distributor box (F) then secure it together with the Screws (R) using the Wrench (T) supplied.
7. Determine the desired hanging height and choose the correct length of Rod (D and E).
8. Feed the fixture wires through the rods, Collar ring, canopy and Mounting strap with Collar loop. Afterwards, connect the rods together then screw the collar loop onto the top of the upper-most rod.
9. Connect the wires as per Drawing 2 and Raise the canopy up and secure with Collar ring.
10. Place the Candle Sleeve (K) over the Socket, then install the Bulb to the Socket.

Drawing (2)



WARNING: This product can expose you to Lead which is known to the state of California to cause cancer and/or birth defects or reproductive harm. For more information go to www.P65Warnings.ca.gov

CRYSTORAMA

LIGHTING THE WAY FOR SIXTY YEARS



ASSEMBLY INSTRUCTION MODEL #ABB-3029-VG

Part Number

Part Numbers

- A. (1)-Mounting hardware
- B. (1)-Canopy W7.125"x H1" (XFW3029VGCAN7.125IN)
- C. (1)- Collar Ring
- D. (3)-Long Rod W5/8"x H12" (XFW3007VGR0D12IN)
- E. (1)-Short Rod W5/8"x H6" (XFW3007VGR0D6IN)
- F. (1)-Top Distributor box
- G. (5)-ARM
- H. (1)-Upper Center stem W3/4"x H19-3/8" (XFW3029VGCSTEM19.375IN)
- I. (1)-Upper Light Cluster(XFW3029VGLU)
- J. (15)-Bulb (Not included)
- K. (15)-Candle Sleeve W1"x H5.25" (XFW3008VGC5L5.25IN)
- L. (1)-Lower Center stem
- M. (1)-Upper banding ring
- N. (1)-Coupling
- O. (1)-Lower Light Cluster(XFW3029VGLCLU)
- P. (5)-Lower Rod
- Q. (1)-Lower banding ring
- R. (5)-Screw W5/32"x H5mm
- S. (30)-Screw W5/32"x H4mm
- T. (1)-Wrench

