

CRYSTORAMA

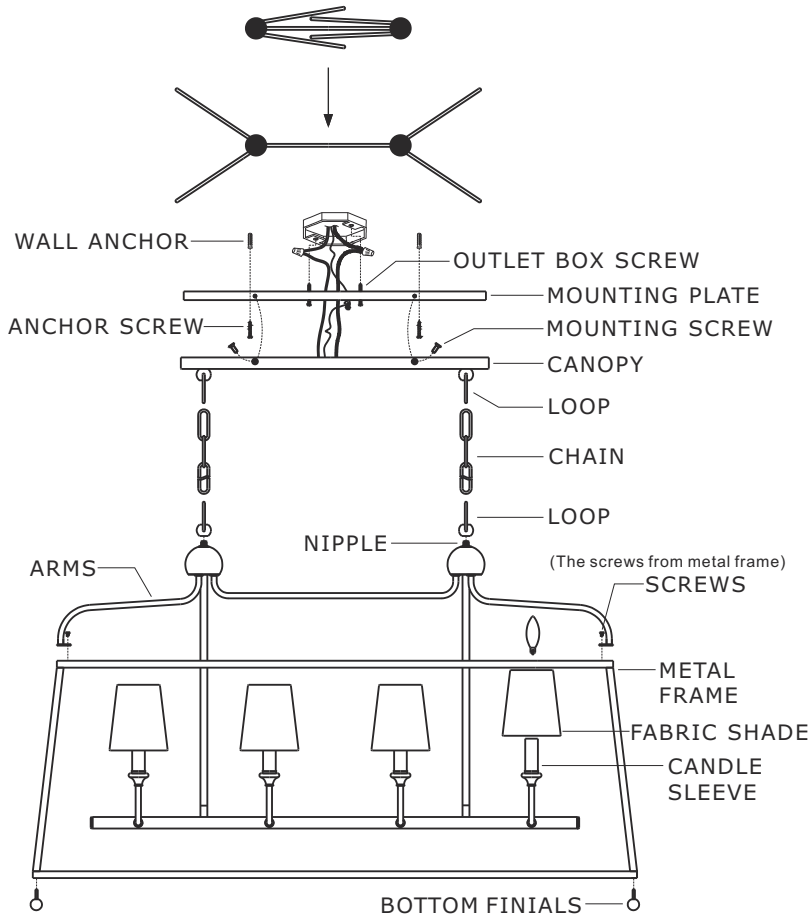
LIGHTING THE WAY FOR SIXTY YEARS



Crystorama.com

ASSEMBLY INSTRUCTION MODEL#2249-BF_NOSHADE

SPREAD THE ARMS TO A SUITABLE POSITION



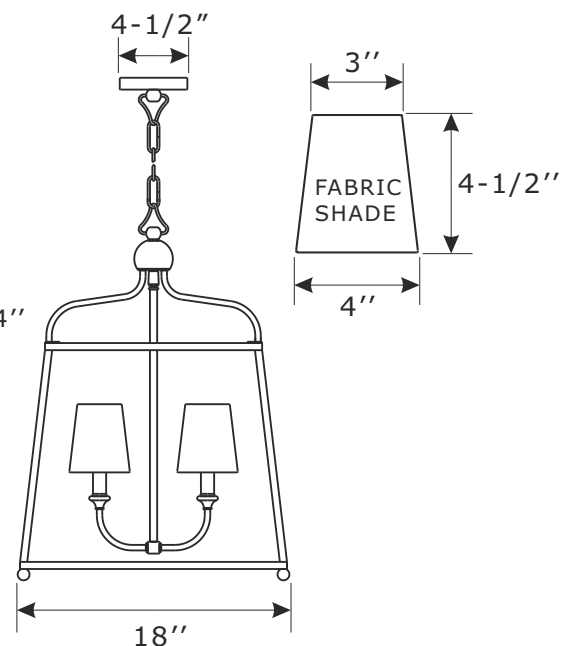
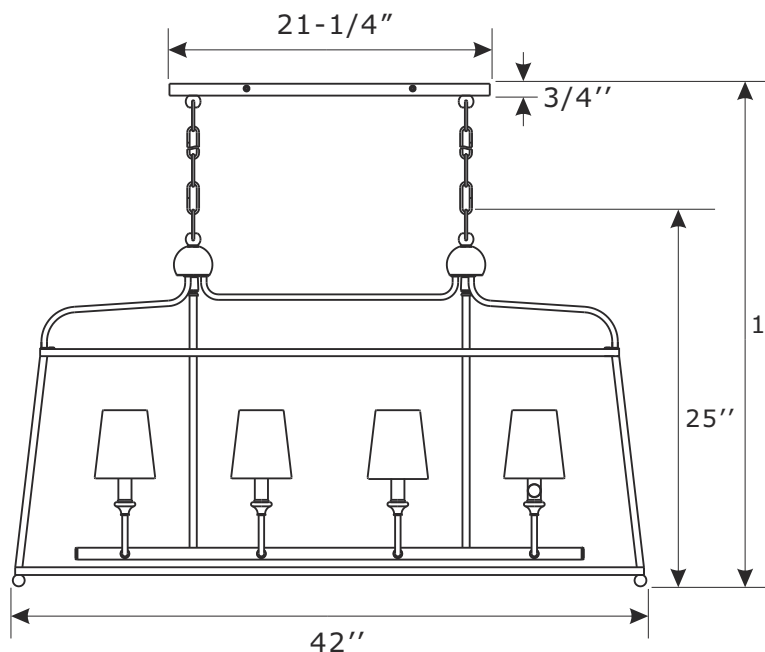
All electrical components must be installed by a licensed electrician in accordance with the National Electric Code and the appropriate local electrical codes.



You will need 8- Candelabra Base Bulb
40 Watts Recommended 60 Watts Max.
USE LED BULBS FOR EXTENDED USE
This fixture is Dry rated

How to install

1. Remove the screw from each of the holes on the metal frame. Align the holes on the tabs of the arm assembly with the holes on the metal frame and secure together using the screws that were removed.
2. Slip the loop along wire and thread onto the nipple of arm assembly.
3. Place the mounting plate over the outlet box. Mark four points on the ceiling at the center of the keyhole on the mounting plate.
4. Drill four holes at the marked points and insert the wall anchors.
5. Place the mounting plate over the outlet box and secure it with two outlet box screws. Insert the anchor screws into the wall anchors (Installed in step #5) and tighten.
6. Determine the preferred hanging height and adjust to the chain required.
7. Install canopy onto the mounting plate, and secure with the mounting screws.
8. Install the fabric shade onto the candle sleeve. (Optional)
9. Install the bulbs(not included) into the socket.



WARNING: This product can expose you to Lead which is known to the state of California to cause cancer and/or birth defects or reproductive harm. For more information go to www.P65Warnings.ca.gov



ASSEMBLY INSTRUCTION MODEL#2249-BF_NOSHADE

Part Number

Part Numbers

- A. (1)-Mounting hardware
- B. (1)-Mounting plate
- C. (4)-Mounting screw
- D. (1)-Canopy W4-1/2"xL21-1/4"xH3/4" #XRF2249BFCAN21.25IN
- E. (4)-Loop
- F. (2)-Chain -120", 4mm thick #XRF2248BFCHA4.0MM
- G. (8)-Screw
- H. (1)-Metal frame
- I. (4)-Bottom finial
- J. (8)-Fabric shade W4"xH4-1/2" #XRF2243SHA4.5IN
- K(A). (8)-Candle sleeve-BF W7/8"xL2-3/8" #XRF2243BFCDL2.375IN
- K(B). (8)-Candle sleeve-WH W7/8"xL2-3/8" #XRF2243WHCDL2.375IN

