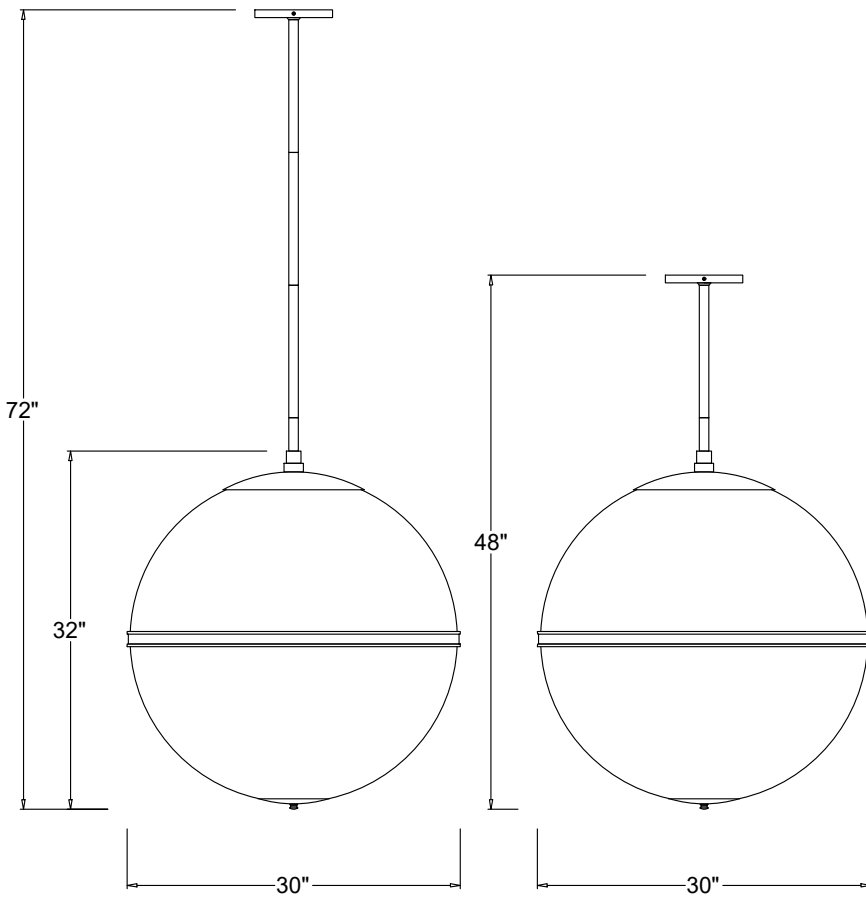


CRYSTORAMA

LIGHTING THE WAY FOR SIXTY YEARS



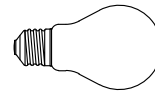
ASSEMBLY INSTRUCTION MODEL #2030-AG



WARNING:

Electrical Danger Turn Power Off

All electrical components must be installed by a licensed electrician in accordance with the National Electric Code and the appropriate local electrical codes.

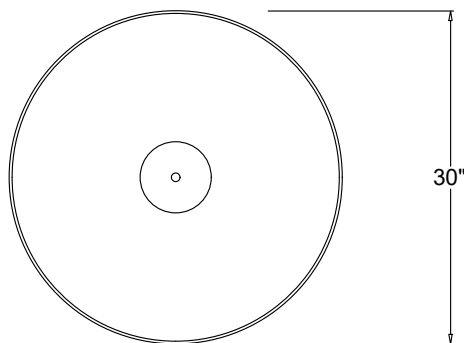
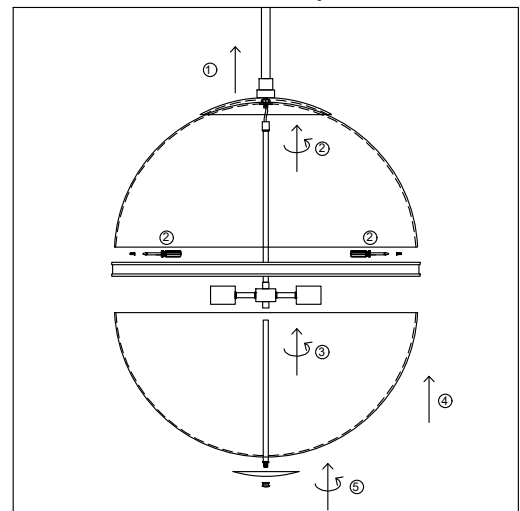


You will need 4- Medium Bulb
40 Watts recommended 60 Watts Max.
USE LED BULBS FOR EXTENDED USE
The fixture is Dry rated

How to Install

1. Screw the top threaded pipe onto the top of the light cluster.
2. Pass the top threaded pipe through the hole on the top half of the acrylic ball then place the top metal cap over it and secure with the decorative nut.
3. Screw the bottom threaded pipe onto the bottom of the light cluster.
4. Place the bottom half of the acrylic over the bottom threaded pipe and insert it onto the slot of metal band.
5. Secure the bottom half of the acrylic ball with the bottom cap and finial.
6. Thread the 12" rod (the only one with a threaded nut welded onto one end) onto the canopy.
7. If needed continue to add more 12" stems.
8. Finally thread the 3" stem.

Sketch Map



⚠ WARNING: This product can expose you to Lead, which is known to the State of California to cause cancer and/or birth defects or reproductive harm. For more information go to www.p65warnings.ca.gov

CRYSTORAMA

LIGHTING THE WAY FOR SIXTY YEARS



ASSEMBLY INSTRUCTION MODEL #2030-AG

Part Number

Part Numbers

A. Mounting Hardware
 Wire Connector x3.
 Mounting screw x4.
 Screws x4.
 Mounting plate x1.
 Green ground screw x1.

B. (1) Canopy (W7"xL7"xH0.55")-XSN2016AGCAN7IN

C. (3) Rod; Ø0.87"x12"H-XSN2030AGROD12IN

D. (1) Rod; Ø0.87"x3"H-XSN2030AGROD3IN

E. (1) Decorative nut

F. (1) Top metal cap-XSN2030AGCAPUP

G. (1) Top threaded pipe; H13.2"

H. (1) Top half acrylic ball ; Ø29 5/8"
 -XSN2030TOPLUC30IN

I. (1) Light cluster
 Coupling x2
 Distributor box
 Socket x4

J. (3) Screws

K. (1) Metal band-XSN2030AGRING30IN

L. (1) Bottom threaded pipe: H14.2"

M. (1) Bottom half acrylic ball ; Ø29 5/8"
 -XSN2030BOTLUC30IN

N. (1) Bottom metal cap-XSN2030AGCAPLOW

O. (1) Finial

P. (2) Plastic gasket

Q. (1) Iron sheet

