

# Motor Blower SG 2000

## Operating Manual

Geheit GmbH  
Benzstraße 2  
D – 72636 Frickenhausen  
Germany  
Phone: + 49 (0) 7022 78969021  
Fax: +49 (0) 7022 78969029  
[www.shop.geheit.de](http://www.shop.geheit.de)



**EG-Konformitätserklärung/ EC Declaration of conformity/ CE Déclaration de conformité/  
EG Conformiteitsverklaring/ EF Overensstemmelseserklæring/ EG Konformitetsförklaring/  
EF Samsvarserklæring/ EY Vaatimustenmukaisuusvakuutus/ EC Dichiarazione di  
Conformità/ CE Declaración de Conformidad/ EC Declaração de Conformidade/ EO  
Декларация за съответствие/ EK Δήλωση συμμόρφωσης/ CE Declarație de conformitate/  
WE Deklaracja zgodności/ EC Заявление о соответствии/ EK Atbilstības deklarācija/ EÜ  
Vastavusdeklaratsioon/ EB Atitikties deklaracija/ ES Prohlášení o shodě/ ES Prehlásenie o  
zhode/ ES Izjava o skladnosti/  
EK Megfelelőségi nyilatkozat**

Angewendete harmonisierte Normen/ Applied harmonized standards/ Normes harmonisées appliquées/ Gebuikte geharmoniseerde normen/  
Anvendte harmoniserede normer/ Harmoniserade standarder som använts/ Anvendte harmoniserede normer/ Sovellettavat harmonisoidut  
standardit/ Norme armonizzate applicate/ Normas armonizadas aplicadas/ Normas armonizadas aplicadas/ Приложени хармонизирани  
стандарты / Εφαρμοσμένα εναρμονισμένα πρότυπα/ Norme armonizate aplicate/ Zastosowane normy zharmonizowane/ Применимые  
гармонизированные нормы/ Pielietotie harmonizētie standarti/ Kohaldatud harmoniseeritud normid/ Taikyti darnieji standartai/ Použité  
harmonizované normy/ Použité harmonizované normy/ Uporabljeni harmonizirani standardi/ Alkalmazott harmonizált szabványok:

EN 292/2 pr EN1953b / EN60335/1.788 / EN55014/12.93 / EN60555/2.87 / EN614-1 / EN60204-1 /  
EN50050-1-2 pr EN501176 / pr EN50177 / EN6100-4-2 / 4-4 /4-5 / 4-11 / 3-22 /DIN-VDE0740 TEIL 21/4.81  
Hauptabschnitt G VBG 23

EU-Richtlinie: EMV-Richtlinie 89/336 i.d.F. 93/68 EWG / Niederspannungsrichtlinie 73/23 EWG

Nr. / No. / No. / Nr./ Nr. / Nr. / Nr. / Nro./ N. / N° / N°/ № /  
Ap. / No. / Nr./ № / Nr. / No. / Nr / Č. / Č. / Št. / Sz.:

000001-000500, 207378-207600

Typ / Type / Type / Type/ Type / Type / Type / Τυππι/ Tipo / Tipo / Tipo /  
Тип / Τύπος / Tip / Typ/ Тип / Modelis / Tüüp / Tipas/ Typ / Typ / Tip / Tipus:

Niederdruck Spritzgerät SG 2000E

Jahr / Year / Année / Jaar/ År / År / År / Vuosi / Anno / Año / Ano /  
Година / Έτος / An / Rok/ Год / Gads / Aasta / Metai/ Rok / Leto / Év:

2018

Name und Anschrift der Person, die bevollmächtigt ist, die technischen Unterlagen zusammenzustellen.  
Name and address of the person authorised to compile the technical documents.

GEHEIT GmbH  
Benzstr. 2  
D-72636 Frickenhausen



Eugen Friesen (Managing Director)

Stand. 01.04.2018

## Table of Contents

1	<b>Intended Use</b>	2
2	<b>Brief Description</b>	3
3	<b>Technical Data</b>	4
4	<b>Safety Notes</b>	5
4.1	Principles; Correct Operation	5
4.2	Safe Operation	6
5	<b>Transportation and Storage</b>	8
6	<b>Start-Up and Operation</b>	9
6.1	Setting Up the Motor Blower	9
6.2	Switching On and Adjusting the Blower	9
7	<b>Switching Off the Motor Blower</b>	10
8	<b>Care, Maintenance and Repair</b>	10
8.1	Replacing Intake Filter	11
9	<b>Faults, Possible Causes and Remedies</b>	12
10	<b>Operating Instructions</b>	13
11	<b>Spare Parts</b>	13

© 2019 by Geheit GmbH

Printed in Germany

All rights reserved, but particularly the right of duplication, distribution and translation. No part of this publication may be reproduced in any form (printed, photocopying, microfilming or by any other method) without the previous written consent of Geheit GmbH, or be stored, processed, duplicated or distributed by means of electronic systems.

## 1 Intended Use

The **ABAC** Motor Blower SG 2000 – named in this manual also as Motor Blower or simply Blower – is intended to be used together with the **ABAC** low pressure spray guns PN 1, PN 2 or PN 5 to spray and apply paints and lacquers. For spraying you may use materials approved by paint manufacturers for High Volume Low Pressure (HVLP) air-spraying technique application. These are for instance:


- Patina paints, two-component-paints, synthetic resin alkyd paints, acrylic and dispersion paints, colour effect paints, insulation / inflammation protection, sprayable wax materials.

Identification number of SG 2000 Motor Blower is BJ 380 000 0040 (100 V), BJ 380 000 0030 (115 V), BJ 380 000 0000 (230 V).

Always observe and comply with all processing instructions and safety notes provided by material manufacturers as well the prescriptions of this operating manual.

In any case, only paints and solvents with a flash point above 21°C = 70°F may be used for spraying!

The **ABAC** Motor Blower SG 2000 is designed to be operated in connection with PN 1 / PN 1A, PN 2 / PN 2A and PN 5 **ABAC** Spray Guns, which operate in the low-pressure range up to 0,45 bar.

	<p>It is forbidden to connect the <b>ABAC</b> Motor Blower SG 2000 to devices, which are not intended for paint spraying and application, as well to technically incompatible spray guns.</p> <p>Any use of the Motor Blower different from described in this manual is prohibited.</p>
---	---

Ambient temperature range for equipment operation is from 0°C to +45°C, relative humidity must not exceed 80%. Conditions of transportation and storage see Section 5.

## 2 Brief Description

The **ABAC** SG 2000 Motor Blower generates an adjustable flow of low-pressure working air, which is fed to the **ABAC** spray gun via the air hose. The main operating device is motor mounted together with air blower, which has three stages. The cooling air, required for the motor, flows through an air channel separately from this working air. To protect the motor, the compressor has self-disconnecting carbon brushes.

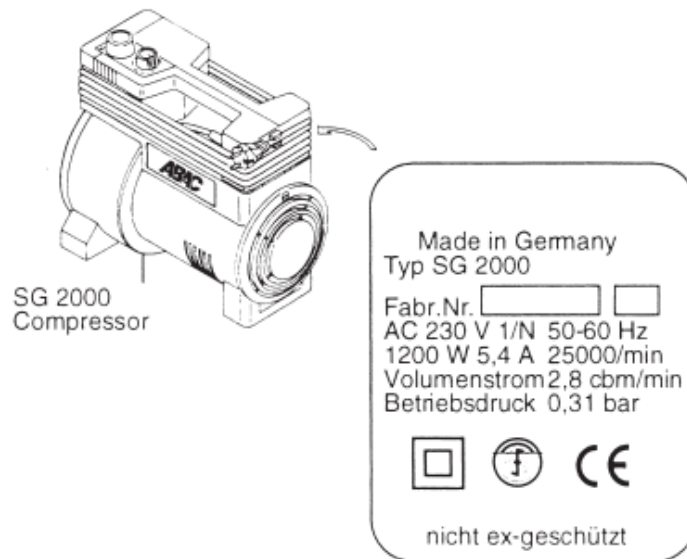
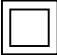


Figure 1

**NOTE:** Enter the serial number marked on the rating plate of your Blower in figure 1. Keep your operating manual and its attached CE declaration of conformity in a safe place.

### 3 Technical Data

○ Sound Pressure Level, average, DIN 45635 (for spraying operation)	81 dB(A)
○ Only for paints and solvents with a flash point above	21°C / 70°F
○ Operating Voltage.....	AC 100 V 1/N, 50 / 60 Hz AC 115 V 1/N, 50 / 60 Hz AC 230 V 1/N, 50 / 60 Hz
○ Insulation (Protection Class II).....	
○ Power.....	1200 W
○ Power consumption.....	approx. 11,5 A (100V) approx. 11,5 A (115V) approx. 5,4 A (100V)
○ Speed.....	25 000 min <sup>-1</sup> (max.)
○ Protection Type.....	IP 20
○ Quantity of Air, adjustable, max. ....	2,8 m <sup>3</sup> / min
○ Operating Pressure, approx. ....	0,31 bar (max.) 0,087 bar (min.)
○ Length.....	345 mm
○ Width.....	220 mm
○ Height.....	340 mm
○ Weight.....	5,15 kg

## 4 Safety Notes

Besides this Operating Manual and the statutory safety regulations for accident prevention applicable in the country and place of use, operators must also abide by the recognized codes of practice for safe and workmanlike operation.

### 4.1 Principles; Correct Operation

- The Motor Blower is state of the art equipment complying with recognized safety regulations. However, if used improperly there is a risk of death or injury to the user or other persons, or of damage to the machine or other property.
- The Motor Blower should only be used for its intended purpose and when it is in a perfect working order. The user must be safety conscious, fully aware of the risk, and follow the operating instructions. Faults that could impair the operating safety of the unit must be immediately remedied by an authorized person.
- The SG 2000 Motor Blower is intended solely for use with our own **ABAC** low-pressure spray guns, which operate in the low-pressure range up to 0,45 bar. You must also follow the instructions given in the relevant operating manuals for these **ABAC** low-pressure spray guns.

It must not be used for any other purpose. The manufacturer or supplier is not responsible and will not be liable for damage or injury resulting from improper use, which shall be entirely at the user's risk.

- Warranty obligations are valid only if the user observes the instructions and recommendations described in this operating manual. Unauthorized changes and repair, use for maintenance of spare parts other than original parts supplied with the product and approved by the manufacturer or included in the spare parts list, as well operation of the equipment under conditions other than those permitted in this manual, will void the manufacturer's guarantee for the **ABAC** SG 2000 Motor Blower.

## 4.2 Safe Operation

- Comply with the requirements of accident prevention regulation “Processing of Coating Materials” (e.g. in Germany VBG 23).
- All persons using the **ABAC** Motor Blower must have read and understood this Operating Manual, particularly the section entitled “Safety Notes”.
- The **ABAC** SG 2000 Motor Blower is not of flame-proof design. Take care to ensure that there are no ignition sources in the vicinity, such as naked flames, sparks, glowing wires, hot surfaces, lighted cigarettes etc. The distance between spray jet exit and a possible source of ignition (even the Blower itself) must be at least 5 m (fire and explosion hazard from ignitable spray mist).
- It must not be used in works locations subject to the provisions of explosion prevention regulation, or on premises and in areas where there is a risk of fire.
- Use only paints and solvents with a flash point of 21°C/70°F or higher without additional heating (see details on paint tin).
- When working in confined spaces, these must be properly ventilated using effective technical ventilation systems.
- The sprayed paint emerges from the nozzle at high pressure. Never direct the spray jet at people or animals. If the skin is injured by paint, lacquer or solvent there is a risk of infection. Seek medical treatment immediately and tell the doctor which paint, lacquer or solvent was used.
- Poisonous fumes may be given off during spraying (see paint tin for details). Use a breathing mask as directed by paint manufacturer’s instructions. Keep children and other people away from the working area.
- The **ABAC** SG 2000 Motor Blower is not splash-proof. It must not be used out of doors, when it is raining or splashed or washed with water or immersed in liquid.
- Keep the **ABAC** SG 2000 Motor Blower in a safe place that is inaccessible to children and unauthorized personnel. Make sure that no unauthorized personnel (particularly children) can put the **ABAC** SG 2000 Motor Blower into operation.
- Store your Motor Blower in a dry ventilated room.
- For safety reasons you should only use **ABAC** original accessories and **ABAC** original spare parts.



- Always switch off your SG 2000 Motor Blower before refilling paint into your spray gun paint container.
- Never pull the connecting cable over sharp-edged objects and make sure the cable is in perfect condition each time before using it.
- **Repairs and maintenance works, or the replacement of the power cable, should only be carried out by authorized specialists or by us. Addresses of authorized firms can be obtained from us or from your dealer upon request.**
- **When spraying, take care not to spray in the direction of your Motor Blower.**
- Dispose of your cleaning and spraying material wastes according to the instructions given by the relevant lacquer, paint and solvent manufacturers.
- **Provide the replacement of blower filters as well sealing elements in time and on regular basis. The use of worn-out filter will lead to blower overheating. Always check the filter state when detect overheating of the Blower. When sealing elements are in improper state, the Blower operation will be affected, the loss of performance would occur.**

## 5 Transportation and Storage

The **ABAC** SG 2000 Motor Blower is supplied in a branded packaging. To avoid damage during transportation and storage, we recommend to use this original packaging. Store your equipment in a dry ventilated room.

Ambient temperature range for equipment storage is from 0°C to +45°C, relative humidity must not exceed 80%.



### **Attention!!!**

Use for transport only the handle of the Motor Blower. Never attempt to move the Blower by pulling on its air hose or electric cable!

Furthermore, it is forbidden to take non-explosion proof Blower to an inflammable area.

## 6 Start-Up and Operation

### 6.1 Setting up the Motor Blower

- Check that the mains voltage corresponds to the operating voltage indicated on the rating plate or in this Operating Manual.
- Connect the air hose to the Blower by turning the air hose connector clockwise in the blower opening (fig. 2).

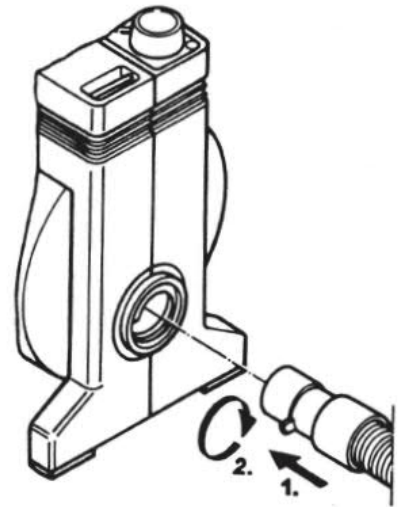


Fig. 2

### 6.2 Switching on and Adjusting the Blower

- Plug the Blower into the mains and press the pushbutton with the thumb (figs. 3 and 4).

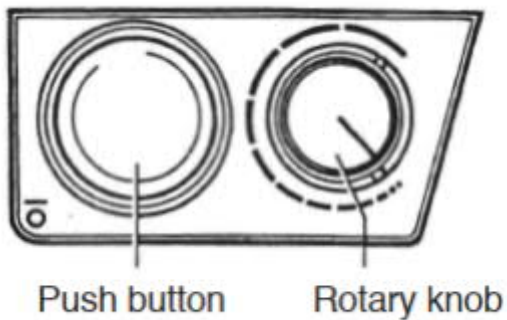


Fig. 3

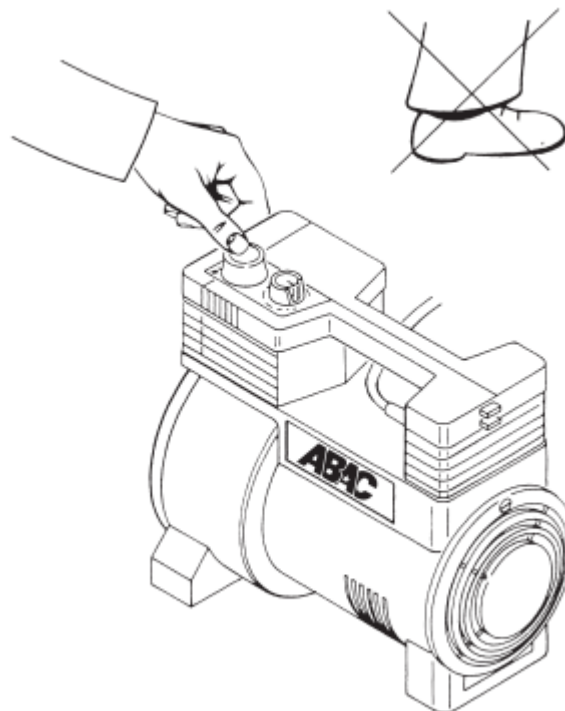



Fig.4

- The air flow and pressure can be adjusted steplessly using the rotary knob. The Blower can thus be adapted to material to be sprayed. The spray consistency of the material must be determined beforehand in order to select the best possible settings for the Blower and spray gun. A dipping cup is supplied with the spray unit for this purpose; see operating instructions for PN 1, PN 2 or PN 5 spray guns, depending on which one you'll choose, for further details. It is recommended to spray samples before work is started (e.g. onto cardboard or wood). Do not start work on the actual object to be sprayed until the desired result is obtained with the samples.
- Ensure that the edges or borders of the object to be sprayed are properly masked.

## 7 Switching off the Motor Blower

After you have finished spraying, turn off the Blower by pressing the push button with your thumb. Only then should the Blower be disconnected from the mains. When work has finished, coil connection cable as shown in figure 1.

## 8 Care, Maintenance and Repair

	<p><b>Attention!!!</b></p> <p>Always switch off your Motor Blower and disconnect from mains, before carrying out any repair and maintenance work.</p> <p>Do not use any solvents or aggressive fluids to clean the fan cage.</p> <p>Repair and maintenance work or the replacement of the power cable should only be carried out by authorized specialist firms or by us. Addresses of authorized firms can be obtained from us or from your dealer.</p>
---	--

Excepting filter maintenance (see item 8.1), your SG 2000 Blower Motor does not require any customer servicing to be carried out.

## 8.1 Replacing Intake Filter



### Attention!!!

Switch off the Motor Blower, disconnect from mains and wait until motor is stationary before opening filter cap.

Always replace both intake filters when they are dirty. Do not attempt to clean them.

Both intake filters should always be checked before spraying and replaced when dirty as shown in figures 5 and 6. This ensures that the air flowing through the gun is always clean.

Open the closure (4) with a coin or similar object. Open filter cap (2, 5) and change intake filter (3). Please take notice, that the closure (4) is not a threaded bolt. It is merely a locking device where turning by 90° is sufficient.

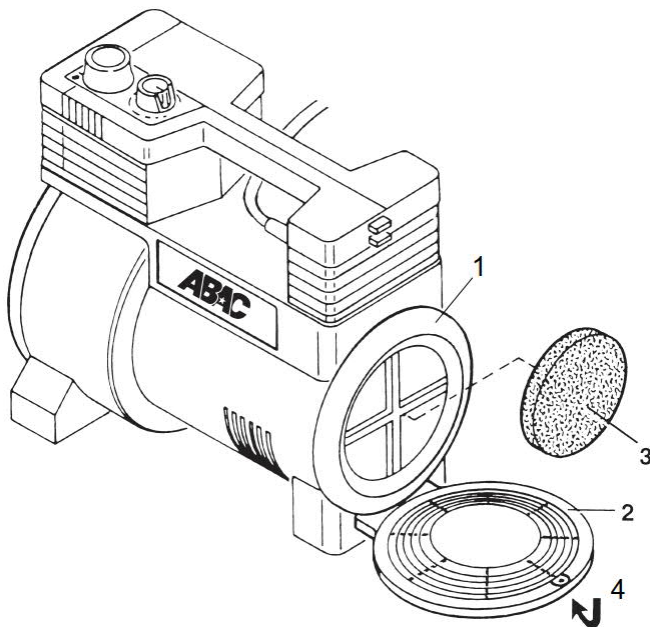


Fig. 5

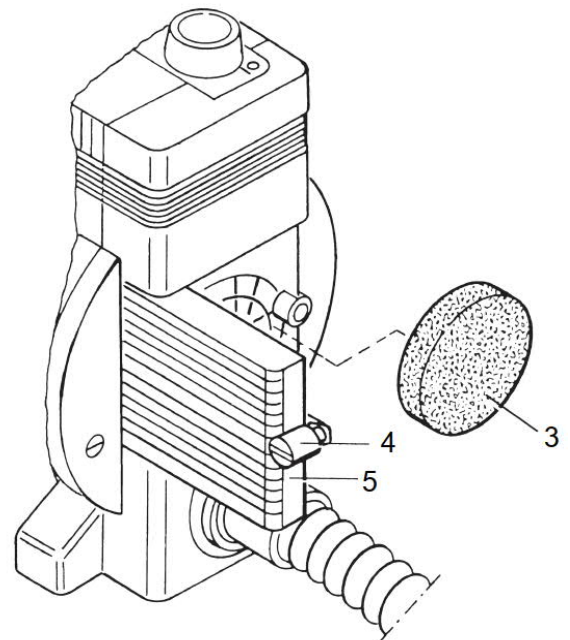


Fig. 6

## 9 Faults, Possible Causes and Remedies



Attention! Never use hard or sharp-edged tools for cleaning!

Fault	Possible causes	Remedy
Motor Blower delivers insufficient air flow	<ul style="list-style-type: none"> <li>• Intake filter is dirty</li> </ul>	<ul style="list-style-type: none"> <li>• Replace intake filter</li> </ul>
Motor Blower delivers too much or too little air	<ul style="list-style-type: none"> <li>• Rotary knob incorrectly set</li> </ul>	<ul style="list-style-type: none"> <li>• Reset rotary knob such that required air quantity is delivered</li> </ul>
Motor Blower is not running	<ul style="list-style-type: none"> <li>• No mains voltage</li> </ul>	<ul style="list-style-type: none"> <li>• Check mains connection</li> </ul>
	<ul style="list-style-type: none"> <li>• Carbon brushes worn</li> </ul>	<ul style="list-style-type: none"> <li>• Repair only by approved workshop (<b>ABAC</b>)</li> </ul>
	<ul style="list-style-type: none"> <li>• Motor Blower defective</li> </ul>	<ul style="list-style-type: none"> <li>• Repair only by approved workshop (<b>ABAC</b>)</li> </ul>
Air quantity cannot be regulated	<ul style="list-style-type: none"> <li>• Electronics defective</li> </ul>	<ul style="list-style-type: none"> <li>• Repair only by approved workshop (<b>ABAC</b>)</li> </ul>

## 10 Operating Instructions

Depending on actual use and location of the equipment, users must issue an operating instruction, based on this manual and in the language of their employees, to define further details for the safe operation of SG 2000 Motor Blower. This operating instruction is to be displayed in a suitable public place at the workplace and to be read and observed by all employees.

## 11 Spare Parts



For safety reasons you should only use **ABAC** original accessories and **ABAC** original spare parts.

Spare parts are available from your **ABAC** specialist dealer or directly from our company.

For speedy and efficient ordering of spare parts we require the following details:

- Equipment type, serial number
- Designation of the part, identification number
- Quantity of parts required
- Address

### Spare Parts List for ABAC SG 2000 Motor Blower (figs. 5 and 6)

Fig. No.	Quantity	Designation	Ident. Number
1	1	Filter cattieer	HE 380 100 5000
2	1	Filter cap (motor cooling side)	HE 380 100 5010
3	1	Intake filter	HE 805 584 0000 (pack of 5 pcs.)
5	1	Filter cap (discharge side)	HE 380 100 4010