



GENUINE REPLACEMENT PARTS

AL-KO Genuine Parts by DEXTER

Service Parts

Complete Brake Assemblies	2-5
Brake Components.....	6-11
Complete Drum & Hub-Drum Kits.....	12-16
Hub Components	17-20
Suspension Components	21
Overview.....	22-23
Service Replacement Parts	24-42

Dexter Axle Company acquired the assets of AL-KO Axis, Inc. in late 2014. Included in the acquisition were the former AL-KO Kober Corporation product lines. The product lines consisted of sprung axles from 2.2K up to 16K, rubber torsion axles from 2.2K up to 8K and the hubs, hub-drums and brakes to support them.

The information in this catalog is meant to capture the associated service kits, component parts and cross-reference data needed to support product in the field.

Please note that part numbers or individual component offerings may now be supported by Genuine Dexter Products and existing AL-KO part numbers are updated from previous publications.

Moving forward the supporting line of products is



In keeping with our continual commitment to industry safety and the development of innovative products, please feel free to view our ongoing video gallery at “www.dexteraxle.com/video_gallery” or scan the following QR codes with your smart phone. We are confident these videos will help explain and promote the Dexter product line that you, as our customer, are investing in.



AL-KO Cross Reference

Complete Brake Assemblies

AL-KO GENUINE PARTS: BRAKE KITS



Brake Kit - Electric 10" x 2 1/4"- RH

K23-543-00

Replaces AL-KO, Hayes Axle right hand 10" x 2 1/4" electric brake assembly or 3,500 lbs. Capacity (K363383.1)

Part No.	Quantity	Parts Description
023-543-00	1	Brake - RH
006-092-01	4	Brake Mounting Nut
	1	Instruction Sheet



Brake Kit - Electric 10" x 2 1/4"- LH

K23-542-00

Replaces AL-KO, Hayes Axle left hand 10" x 2 1/4" electric brake assembly or 3,500 Capacity (K363383.2)

Part No.	Quantity	Parts Description
023-542-00	1	Brake - LH
006-092-01	4	Brake Mounting Nut
	1	Instruction Sheet



Brake Kit - Electric 10" x 2 1/4"- RH

K23-539-00

Replaces AL-KO right hand 10" x 2 1/4" electric brake assembly - 4,400 lbs. Capacity (K568998)

Part No.	Quantity	Parts Description
023-539-00	1	Brake - RH
006-092-01	4	Brake Mounting Nut
007-328-00	4	Brake Mounting Bolt
	1	Instruction Sheet

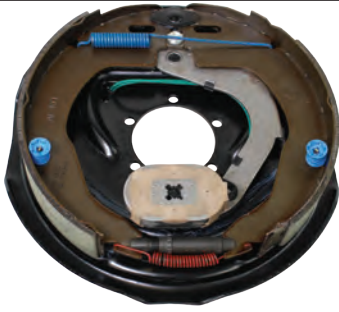


Brake Kit - Electric 10" x 2 1/4"- LH

K23-538-00

Replaces AL-KO left hand 10" x 2 1/4" electric brake assembly - 4,400 lbs. Capacity (K568999)

Part No.	Quantity	Parts Description
023-538-00	1	Brake - LH
006-092-01	4	Brake Mounting Nut
007-328-00	4	Brake Mounting Bolt
	1	Instruction Sheet

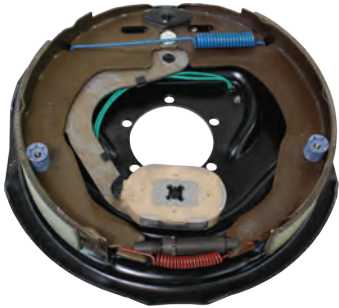


Brake Kit - Electric 12" x 2"- RH

K23-536-00

Replaces AL-KO, Hayes Axle right hand 12" x 2" electric brake assembly or 7,000 lbs. Capacity (K363233.1)

Part No.	Quantity	Parts Description
023-536-00	1	Brake - RH
006-193-00	5	Brake Mounting Nut
007-005-00	5	Brake Mounting Bolt
	1	Instruction Sheet



Brake Kit - Electric 12" x 2"- LH

K23-537-00

Replaces AL-KO, Hayes Axle left hand 12" x 2" electric brake assembly or 7,000 lbs. Capacity (K363233.2)

Part No.	Quantity	Parts Description
023-537-00	1	Brake - LH
006-193-00	5	Brake Mounting Nut
007-005-00	5	Brake Mounting Bolt
	1	Instruction Sheet



Brake Kit - Electric 12" x 3 3/8"- RH

K23-533-00

Replaces AL-KO and Hayes Axle 8K Axles equipped with right hand electric brakes (K363602).

Part No.	Quantity	Parts Description
023-533-00	1	Brake - RH
006-129-01	4	Brake Mounting Nut
	1	Instruction Sheet



Brake Kit - Electric 12" x 3 3/8"- LH

K23-532-00

Replaces AL-KO and Hayes Axle 8K Axles equipped with left hand electric brakes (K363601).

Part No.	Quantity	Parts Description
023-532-00	1	Brake - LH
006-129-01	4	Brake Mounting Nut
	1	Instruction Sheet

Complete Brake Assemblies

AL-KO GENUINE PARTS: BRAKE KITS



Brake Kit - Electric 12 1/4" x 3 1/2" Rear Self Adjust- RH

K23-529-00

Replaces AL-KO and Hayes Axle, 10K - 12K axles equipped with electric brakes. (K568255.1)

Part No.	Quantity	Parts Description
023-529-00	1	Brake - RH
006-129-01	5	Brake Mounting Nut
	1	Instruction Sheet

Note: Dust shield not included with brake assembly.



Brake Kit - Electric 12 1/4" x 3 1/2" Rear Self Adjust- LH

K23-528-00

Replaces AL-KO and Hayes Axle, 10K - 12K axles equipped with electric brakes. (K568255.2)

Part No.	Quantity	Parts Description
023-528-00	1	Brake - LH
006-129-01	5	Brake Mounting Nut
	1	Instruction Sheet

Note: Dust shield not included with brake assembly.



Brake Kit - Electric 12 1/4" x 3 1/2" Forward Self Adjust- RH

K23-531-00

Replaces all AL-KO and Hayes Axle, 10K - 12K axles equipped with electric brakes. (must be replaced in pairs for axles built prior to 09/2011) (K1531070)

Part No.	Quantity	Parts Description
023-531-00	1	Brake - RH
006-129-01	5	Brake Mounting Nut
	1	Instruction Sheet

Note: Dust shield not included with brake assembly.



**Brake Kit - Electric 12 1/4" x 3 1/2"
Forward Self Adjust- LH**

K23-530-00

Replaces all AL-KO and Hayes Axle, 10K - 12K axles equipped with electric brakes. (must be replaced in pairs for axles built prior to 09/2011) (K1531071)

Part No.	Quantity	Parts Description
023-530-00	1	Brake - LH
006-129-01	5	Brake Mounting Nut
	1	Instruction Sheet

Note: Dust shield not included with brake assembly.



**Brake Kit - Hydraulic 12 1/4" x 3 1/2 "
RH or LH**

K23-524-00

Replaces AL-KO and Hayes Axle, 10K - 12K axles equipped with hydraulic brakes. Replaced right or left hand brake assemblies. (K568213)

Part No.	Quantity	Parts Description
023-524-00	1	Brake - RH or LH
006-129-01	5	Brake Mounting Kit
	1	Instruction Sheet

Note: Dust shield not included with brake assembly.



Caliper Replacement Kit - RH

K71-833-00

Fits AL-KO and Hayes Axle 10K HD - 12K Axles equipped with hydraulic disc brakes. (K09231511)

Part No.	Quantity	Parts Description
089-052-00	1	Caliper Assembly - RH
007-449-00	2	Bolt
005-083-00	2	Lock Washer
005-199-00	2	Washer
046-176-00	2	Caliper Retainer Plate



Caliper Replacement Kit - LH

K71-834-00

Fits AL-KO and Hayes Axle 10K HD - 12K Axles equipped with hydraulic disc brakes. (K09231512)

Part No.	Quantity	Parts Description
089-053-00	1	Caliper Assembly - LH
007-449-00	2	Bolt
005-083-00	2	Lock Washer
005-199-00	2	Washer
046-176-00	2	Caliper Retainer Plate



Brake Caliper Repair Kit

K71-832-00

Fits AL-KO and Hayes Axle 10K & 12K axles equipped with hydraulic disc brake calipers. (K080862)

Part No.	Quantity	Parts Description
010-260-00	2	Caliper Seal
010-261-00	2	Caliper Boot



Disc Brake Pad Kit

K71-866-00

Fits AL-KO and Hayes Axle 10K - 12K axles equipped with hydraulic disc brakes. (KSL116)

Part No.	Quantity	Parts Description
091-018-00	1	Brake Pad Inner
091-019-00	1	Brake Pad Outer

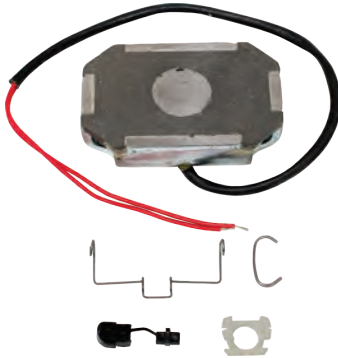


Magnet Kit

K71-871-00

Fits AL-KO and Hayes Axle 10" x 1 3/4", 10" x 2 1/4" & 12" x 2" electric brakes. (K568111 & K568119)

Part No.	Quantity	Parts Description
042-143-00	1	Magnet Assembly
046-175-00	1	Spring
027-009-00	1	Retainer
046-016-00	1	Strain Relief
	1	Instruction Sheet

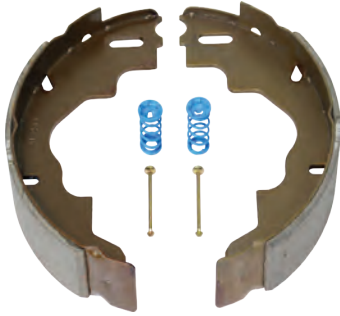


Magnet Kit

K71-863-00

Fits AL-KO and Hayes Axle, 8K - 16K axles equipped with electric brakes. (K568252)

Part No.	Quantity	Parts Description
042-148-00	1	Magnet Assembly
046-164-00	1	Retainer
046-166-00	1	Strain Relief
046-170-00	1	Adapter Strain Relief
046-169-00	1	Hog Ring
	1	Instruction Sheet

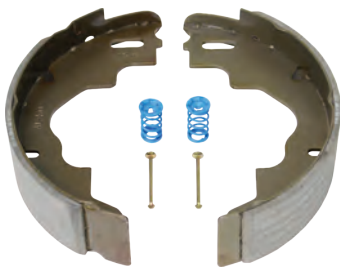


Brake Shoe & Lining Kit - 10" x 1 3/4"

K71-836-00

Fits all AL-KO Axle 10" x 1 3/4" Advance Design electric brakes. (K1530114)

Part No.	Quantity	Parts Description
040-450-00	2	Shoe & Lining
046-077-00	2	Shoe Hold Down Spring
049-009-00	2	Hold Down Pin
	1	Instruction Sheet



Brake Shoe & Lining Kit - 10" x 2 1/4"

K71-854-00

Fits all AL-KO and Hayes Axle 10" x 2 1/4" electric brakes. (With or without parking feature.) (K568112)

Part No.	Quantity	Parts Description
040-447-00	1	Primary Shoe & Lining
040-448-00	1	Secondary Shoe & Lining
046-077-00	2	Shoe Hold Down Spring
049-002-00	2	Hold Down Pin
	1	Instruction Sheet



Brake Shoe & Lining Kit - 12" x 2"

K71-817-00

Fits all AL-KO 12" x 2" electric brakes & Hayes Axle 12" x 2" electric brakes with bonded linings. (With or without parking feature.) (K568126)

Part No.	Quantity	Parts Description
040-445-00	1	Primary Shoe & Lining
040-446-00	1	Secondary Shoe & Lining
046-077-00	2	Shoe Hold Down Spring
049-002-00	2	Hold Down Pin
	1	Instruction Sheet



Brake Shoe & Lining Kit - 12" x 3 3/8"

K71-850-00

Fits AL-KO and Hayes Axle, 8K axles equipped with 12" x 3-3/8" electric brakes. (K363924)

Part No.	Quantity	Parts Description
040-396-00	2	Shoe & Lining
005-197-00	2	Washer Shoe Hold Down
007-354-00	2	Stud Shoe Hold Down
006-235-00	2	Locknut
	1	Instructions



Brake Shoe & Lining Kit - 12" x 3 3/8"

K71-851-00

Fits AL-KO and Hayes Axle, 8K axles equipped with hydraulic brakes. (K363925)

Part No.	Quantity	Parts Description
040-393-00	1	Shoe & Lining
040-392-00	1	Shoe & Lining
005-197-00	2	Washer Shoe Hold Down
007-354-00	2	Stud Shoe Hold Down
005-198-00	4	Spring Shoe Hold Down
006-235-00	2	Locknut
019-027-00	2	Cotter Pin
	1	Instruction Sheet



Brake Shoe & Lining Kit - 12 1/4" x 3 1/2"

K71-818-00

Fits AL-KO and Hayes Axle, 10K - 12K axles equipped with electric brakes. (K568251)

Part No.	Quantity	Parts Description
040-395-00	2	Shoe & Lining
005-197-00	2	Washer Shoe Hold Down
007-354-00	2	Stud Shoe Hold Down
006-235-00	2	Locknut
046-165-00	1	Spring Adjuster
	1	Instruction Sheet



Brake Shoe & Lining Kit - 12 1/4" x 3 1/2"

K71-861-00

Fits AL-KO and Hayes Axle, 10K - 12K axles equipped with hydraulic brakes. (K568234)

Part No.	Quantity	Parts Description
040-469-00	1	Shoe & Lining - RH
040-468-00	1	Shoe & Lining - LH
005-197-00	2	Washer Shoe Hold Down
007-354-00	2	Stud Shoe Hold Down
005-198-00	4	Spring Shoe Hold Down
006-235-00	2	Locknut
019-027-00	2	Cotter Pin
	1	Instruction Sheet

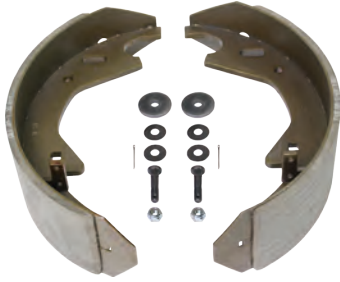


Brake Shoe & Lining Kit - 12 1/4" x 5"

K71-867-00

Fits AL-KO and Hayes Axle, 16K axles equipped with electric brakes. (KSL131)

Part No.	Quantity	Parts Description
040-394-00	2	Shoe & Lining
005-197-00	2	Washer Shoe Hold Down
007-354-00	2	Stud Shoe Hold Down
006-235-00	2	Locknut
	1	Instruction Sheet



Brake Shoe & Lining Kit - 12 1/4" x 5"

K71-842-00

Fits AL-KO and Hayes Axle, 16K axles equipped with 12-1/4" x 5" hydraulic brakes. (K1694614)

Part No.	Quantity	Parts Description
040-398-00	1	Shoe & Lining
040-397-00	1	Shoe & Lining
005-197-00	2	Washer Shoe Hold Down
007-354-00	2	Stud Shoe Hold Down
005-198-00	4	Spring Shoe Hold Down
006-235-00	2	Locknut
019-027-00	2	Cotter Pin
	1	Instruction Sheet

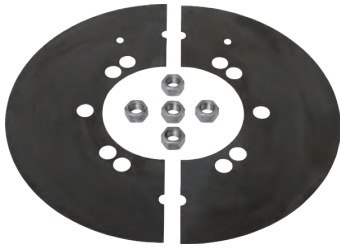


Brake Shoe & Lining Kit - 12 1/4" x 5 1/2"

K71-868-00

Fits AL-KO and Hayes Axle, 10K - 16K axles equipped with air brakes. (KSL137)

Part No.	Quantity	Parts Description
040-449-00	2	Shoe & Lining
056-017-00	2	Anchor Pin
038-077-00	2	Anchor Pin (Air)
046-179-00	1	Anchor Pin Retainer (Air)
034-362-00	2	Cam Roller (Air)
046-173-00	2	Retainer Cam Roller (Air)
056-018-00	2	Retainer Pin Retract Spring
046-177-00	1	Return Spring (Air)

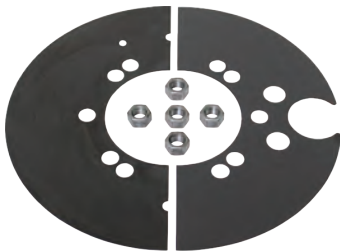


Dust Cover - Electric Brake

K71-837-00

Fits AL-KO and Hayes Axle, 10K - 16K axles equipped with electric brakes. (K1531044)

Part No.	Quantity	Parts Description
036-140-01	2	Dust Cover - Electric
006-129-01	5	Hex Nut

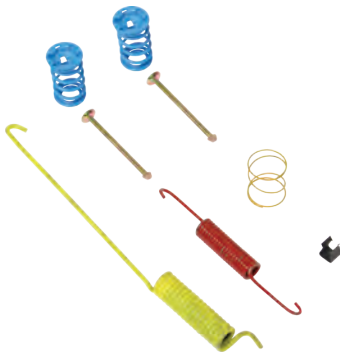


Dust Cover - Hydraulic Brake

K71-838-00

Fits AL-KO and Hayes Axle, 10K - 16K axles equipped with hydraulic brakes. (K1531045)

Part No.	Quantity	Parts Description
036-140-01	1	Dust Cover - Electric
036-140-02	1	Dust Cover - Hydraulic
006-129-01	5	Hex Nut

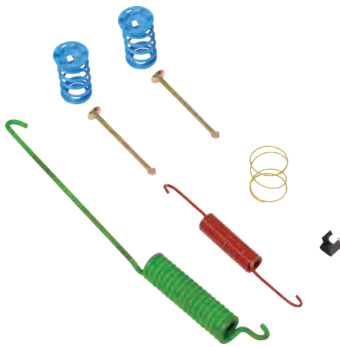


Brake Spring Kit

K71-853-00

Fits all AL-KO and Hayes Axle 10" x 1 3/4" & 10" x 2 1/4" electric brakes. (K568097)

Part No.	Quantity	Parts Description
046-018-00	1	Adjusting Screw Spring
046-077-00	2	Shoe Hold Down Spring
049-002-00	2	Shoe Hold Down Pin
027-009-00	1	Magnet Retaining Clip
046-174-00	1	Shoe Retractor
046-175-00	1	Magnet Spring
	1	Instruction Sheet



Brake Spring Kit

K71-852-00

Fits all AL-KO and Hayes Axle 12" x 2" electric brakes. (K568096)

Part No.	Quantity	Parts Description
046-018-00	1	Adjusting Screw Spring
046-077-00	2	Shoe Hold Down Spring
049-002-00	2	Shoe Hold Down Pin
027-009-00	1	Magnet Retaining Clip
046-005-00	1	Shoe Retractor
046-175-00	1	Magnet Spring
	1	Instruction Sheet

Complete Drum & Hub-Drum Kits

AL-KO GENUINE PARTS: HUB & DRUM KITS



Hub-Drum Kit

K08-476-90

Fits AL-KO, Hayes Axle 10" x 2 1/4" brake axles using UHI or #84 Spindles.
- 5-4.50" B.C., Studded 1/2" x 20 (K363219)

Part No.	Quantity	Parts Description
006-080-00	5	Cone Nut 60°
008-476-05	1	Hub & Drum - Cupped and Studded 5-4.50"
010-019-00	1	Seal
021-003-00	1	Grease Cap - Standard
021-041-01	1	Grease Cap - For Ultrulube
031-031-02	1	Bearing - Outer (L44649)
031-033-02	1	Bearing - Inner (L68149)
085-016-00	1	Rubber Plug - Ultrulube
005-027-00	1	Washer
006-176-00	1	Spindle Nut
019-002-00	1	Cotter Pin
	1	Instruction Sheet



Hub-Drum Kit

K08-476-93

Fits AL-KO, Hayes Axle 10" x 2 1/4" brake axles using UHI or #84 Spindles.
- 5-4.75" B.C., Studded 1/2" x 20 (K363630)

Part No.	Quantity	Parts Description
006-080-00	5	Cone Nut 60°
008-476-09	1	Hub & Drum - Cupped and Studded 5-4.75"
010-019-00	1	Seal
021-003-00	1	Grease Cap - Standard
021-041-01	1	Grease Cap - For Ultrulube
031-031-02	1	Bearing - Outer (L44649)
031-033-02	1	Bearing - Inner (L68149)
085-016-00	1	Rubber Plug - Ultrulube
005-027-00	1	Washer
006-176-00	1	Spindle Nut
019-002-00	1	Cotter Pin
	1	Instruction Sheet



Hub-Drum Kit

K08-476-91

Fits AL-KO, Hayes Axle 10" x 2 1/4" brake axles using UHI or #84 Spindles.
- 5-5.00" B.C., Studded 1/2" x 20 (K363220)

Part No.	Quantity	Parts Description
006-080-00		Cone Nut 60°
008-476-06	1	Hub & Drum - Cupped and Studded 5-5.00"
010-019-00	1	Seal
021-003-00	1	Grease Cap - Standard
021-041-01	1	Grease Cap - For Ultrulube
031-031-02	1	Bearing - Outer (L44649)
031-033-02	1	Bearing - Inner (L68149)
085-016-00	1	Rubber Plug - Ultrulube
005-027-00	1	Washer
006-176-00	1	Spindle Nut
019-002-00	1	Cotter Pin
	1	Instruction Sheet



Hub-Drum Kit

K08-476-92

Fits AL-KO, Hayes Axle 10" x 2 1/4" brake axles using UHI or #84 Spindles.
- 5-5.50" B.C., Studded 1/2" x 20 (K363221)

Part No.	Quantity	Parts Description
006-080-00	5	Cone Nut 60°
008-476-07	1	Hub & Drum - Cupped and Studded 5-5.5"
010-019-00	1	Seal
021-003-00	1	Grease Cap - Standard
021-041-01	1	Grease Cap - For Ultrulube
031-031-02	1	Bearing - Outer (L44649)
031-033-02	1	Bearing - Inner (L68149)
085-016-00	1	Rubber Plug - Ultrulube
005-027-00	1	Washer
006-176-00	1	Spindle Nut
019-002-00	1	Cotter Pin
	1	Instruction Sheet



Hub-Drum Kit

K08-480-90

Fits AL-KO 4.4K with 10" x 2 1/4" axles only. - 6-5.50" B.C.,
Studded 1/2" x 20 (K568955)

Part No.	Quantity	Parts Description
006-080-00	6	Cone Nut 60°
008-480-05	1	Hub & Drum - Cupped and Studded 6-5.5"
010-019-00	1	Seal
021-001-00	1	Grease Cap - Standard
021-042-01	1	Grease Cap - For Ultrulube
031-032-02	1	Bearing - Outer (LM67048)
031-033-02	1	Bearing - Inner (L68149)
085-016-00	1	Rubber Plug - Ultrulube
005-223-00	1	Washer
006-176-00	1	Spindle Nut
019-002-00	1	Cotter Pin
	1	Instruction Sheet

Complete Drum & Hub-Drum Kits



Hub-Drum Kit

K08-484-90

Fits AL-KO, Hayes Axle and most imported 12" x 2" brakes using HRM spindles, and a 15123 outer bearing, 6-5.50" B.C., Studded 1/2" x 20. (K363239)

Part No.	Quantity	Parts Description
006-080-00	6	Cone Nut 60°
008-484-05	1	Hub & Drum - Cupped and Studded -5.50" BC
010-010-00	1	Seal 2.125
010-030-00	1	Seal 2.250
021-001-00	1	Grease Cap - Standard
021-042-01	1	Grease Cap - For Ultrulube
031-029-02	1	Bearing Cone Outer (15123)
031-030-02	1	Bearing Cone Inner (25580)
085-016-00	1	Rubber Plug - Ultrulube
005-223-00	1	Washer
006-176-00	1	Spindle Nut
019-002-00	1	Cotter Pin
	1	Instruction Sheet



Hub-Drum Kit

K08-479-90

Fits AL-KO, Hayes Axle and most imported 12" x 2" brakes using HRM spindles, and a 14125A outer bearing, 8-6.50" B.C., 4.75" Hub Pilot, Studded 1/2" x 20. (K1531183)

Part No.	Quantity	Parts Description
006-080-00	8	Cone Nut 60°
008-479-05	1	Hub & Drum - Cupped and Studded 8-6.5"
010-010-00	1	Seal 2.125
010-036-00	1	Seal 2.250
021-039-00	1	Grease Cap - Standard
021-043-01	1	Grease Cap - For Ultrulube
031-017-02	1	Bearing (14125A)
031-030-02	1	Bearing (25580)
085-016-00	1	Rubber Plug - Ultrulube
005-223-00	1	Washer
006-176-00	1	Spindle Nut
019-002-00	1	Cotter Pin
	1	Instruction Sheet



Hub-Drum Kit

K08-479-91

Fits AL-KO, Hayes Axle and most imported 12" x 2" brakes using HRM spindles, and a 14125A outer bearing, 8-6.50" B.C., 4.75" Hub Pilot, Studded 9/16" x 20. (K1691004)

Part No.	Quantity	Parts Description
006-053-00	8	Cone Nut 60°
008-479-06	1	Hub & Drum - Cupped and Studded 8-6.5"
010-010-00	1	Seal 2.125
010-036-00	1	Seal 2.250
021-039-00	1	Grease Cap - Studded
021-043-01	1	Grease Cap - For Ultrulube
031-017-02	1	Bearing (14125A)
031-030-02	1	Bearing (25580)
085-016-00	1	Rubber Plug - Ultrulube
005-223-00	1	Washer
006-176-00	1	Spindle Nut
019-002-00	1	Cotter Pin
	1	Instruction Sheet



Hub-Drum Kit

K08-481-90

Fits AL-KO and Hayes Axle 10K #99 spindle Axles with Electric or Hydraulic Brakes, 8 on 6.50" B.C., 4.75" Hub Pilot, studded 5/8" x 18. (K10788, K568704)

Part No.	Quantity	Parts Description
008-481-05	1	Hub & Drum
071-823-00	1	Armature Plate
007-358-00	6	Bolt
005-079-00	6	Lock Washer
006-099-00	6	Nut
	1	Instruction Sheet



Hub-Drum Kit

K08-481-91

Fits AL-KO and Hayes 10KGD #99 Spindle Axles with Electric or Hydraulic Brakes, 8 on 6.50" B.C., 4.88" Hub Pilot, studded 5/8" x 18. (K568270)

Part No.	Quantity	Parts Description
008-481-09	1	Hub & Drum, Cupped & Studded
071-823-00	1	Armature Plate
007-358-00	6	Bolt
005-079-00	6	Lock Washer
006-099-00	6	Nut
	1	Instruction Sheet



Hub-Drum Kit

K08-490-90

Fits AL-KO and Hayes 10KHD #120 Spindle Axles with Electric or Hydraulic Brakes. Unicast, 8 on 6.50 B.C., 4.75" Pilot, studded 5/8" x 18. (K1531042)

Part No.	Quantity	Parts Description
008-490-05	1	Hub & Drum, Cupped & Studded - (Casting #8900)
071-823-00	1	Armature Plate
007-358-00	6	Bolt
005-079-00	6	Lock Washer
006-099-00	6	Nut
	1	Instruction Sheet



Hub-Drum Kit

K08-490-91

Fits AL-KO and Hayes 10KHD #120 Spindle Axles with Electric or Hydraulic Brakes. Unicast, 8 on 6.50 BC, 4.88" Pilot, studded 5/8" x 18. (K1531043)

Part No.	Quantity	Parts Description
008-490-09	1	Hub & Drum, Cupped & Studded - (Casting #8900)
071-823-00	1	Armature Plate
007-358-00	6	Bolt
005-079-00	6	Lock Washer
006-099-00	6	Nut
	1	Instruction Sheet

Complete Drum & Hub-Drum Kits



Drum Kit

K71-835-00

Fits AL-KO and Hayes 10K HD and 12K axles with 12 1/4" x 3 1/2" Electric or Hydraulic Brakes. (568699)

Part No.	Quantity	Parts Description
009-132-01	1	Drum
071-823-00	1	Armature Plate
007-358-00	6	Bolt
005-079-00	6	Lock Washer
006-099-00	6	Nut
	1	Instruction Sheet



Drum Kit

K71-875-00

Fits AL-KO and Hayes Axle 16K axles with 12 1/4" x 5 1/2" Electric or Hydraulic brakes (090907)

Part No.	Quantity	Parts Description
009-131-01	1	Drum
071-823-00	1	Armature Plate
007-358-00	6	Bolt
005-079-00	6	Lock Washer
006-099-00	6	Nut
	1	Instruction Sheet



#42 Bearing Kit - 8K

K71-843-00

Fits AL-KO and Hayes Axle 8K axles with #42 Spindle (K1784690)

Part No.	Quantity	Parts Description
006-109-00	8	Cone Nut 90° - 5/8
006-176-00	1	Spindle Nut
005-223-00	1	Washer
021-217-00	1	Oil Cap
031-030-02	1	Bearing (25580)
031-028-02	1	Bearing (02475)
019-002-00	1	Cotter Pin
085-017-00	1	Rubber Plug
010-259-00	1	O-Ring
010-063-00	1	Seal



#99 Bearing Kit - 10K

K71-839-00

Fits AL-KO and Hayes Axle 10K GD axles with #99 Spindle (K1693894)

Part No.	Quantity	Parts Description
006-209-00	8	Swivel Wheel Nut 5/8" - 18
006-239-00	1	Spindle Nut
005-224-00	1	Washer
021-219-00	1	Oil Cap
031-030-02	1	Bearing (25580)
031-090-02	1	Bearing (28580)
019-035-00	1	Cotter Pin
085-017-00	1	Rubber Plug
010-258-00	1	O-Ring
010-257-00	1	Seal



#120 Bearing Kit - 10K-12K

K71-840-00

Fits AL-KO and Hayes Axle 10K HD and 12K axles with #120 Spindle (K1693895)

Part No.	Quantity	Parts Description
006-209-00	8	Swivel Wheel Nut 5/8" - 18
006-239-00	1	Spindle Nut
005-224-00	1	Washer
021-219-00	1	Oil Cap
031-091-02	1	Bearing (JM205149)
031-093-02	1	Bearing (JM511946)
019-035-00	1	Cotter Pin
085-015-00	1	Rubber Plug
010-258-00	1	O-Ring
010-056-00	1	Seal



#160 Bearing Kit - 16K

K71-841-00

Fits AL-KO and Hayes Axle 16K axles with #160 Spindle (K1693896)

Part No.	Quantity	Parts Description
006-240-00	10	Swivel Wheel Nut 3/4" - 16
006-239-00	1	Spindle Nut
005-224-00	1	Washer
021-219-00	1	Oil Cap
031-091-02	1	Bearing (JM205149)
031-092-02	1	Bearing (39590)
019-035-00	1	Cotter Pin
085-017-00	1	Rubber Plug
010-258-00	1	O-Ring
010-056-00	1	Seal



Oil Cap, O-Ring & Plug Kit

K71-845-00

Fits AL-KO and Hayes Axle 8K axles 1987 and newer. (K363587)

Part No.	Quantity	Parts Description
010-045-00	1	O-Ring
021-217-00	1	Oil Cap
085-017-00	1	Plug



Oil Cap, O-Ring & Plug Kit

K71-870-00

Fits AL-KO and Hayes Axle 8K axles prior to 1987. (K363587.1)

Part No.	Quantity	Parts Description
010-045-00	1	O-Ring
021-217-01	1	Oil Cap
085-017-00	1	Plug



Oil Cap, O-Ring & Plug Kit

K71-859-00

Fits all AL-KO and Hayes Axle, 10K - 16K axles. (K568220)

Part No.	Quantity	Parts Description
010-258-00	1	O-Ring
021-219-00	1	Oil Cap
085-017-00	1	Plug



Seal - #99 Spindle

K71-865-00

Fits AL-KO and Hayes Axle, K80 and 10K GD axles. (K568303)

Part No.	Quantity	Parts Description
010-257-00	2	Seal - B370352BG Oil



Seal - #120-#160 Spindles

K71-858-00

Fits AL-KO and Hayes Axle, 10KHD-16K axles. (K568217)

Part No.	Quantity	Parts Description
010-056-00	2	Seal - B370014BG Oil



Press-In Wheel Studs

K71-847-00

Fits AL-KO & Hayes Axle BT brake drums, UHI idler hubs & brake drums, & HRM idler hubs. (2.2K-7K) (K363907)

Part No.	Quantity	Parts Description
007-361-00	5	Press-In Wheel Stud- 1/2-20 X 2.00"



Press-In Wheel Studs

K71-848-00

Fits AL-KO & Hayes Axle HRM Hub and Hub/Drums utilizing 1/2" wheel studs. (5.2K-7K) (K363909)

Part No.	Quantity	Parts Description
007-360-00	8	Press-In Wheel Stud- 1/2-20 X 2.50"



Press-In Wheel Studs

K71-846-00

Fits AL-KO & Hayes Axle HRM Hub and Hub/Drums utilizing 9/16" wheel studs. (7K-8K) (K363906)

Part No.	Quantity	Parts Description
007-357-00	8	Press-In Wheel Stud- 9/16-18 X 2.81"

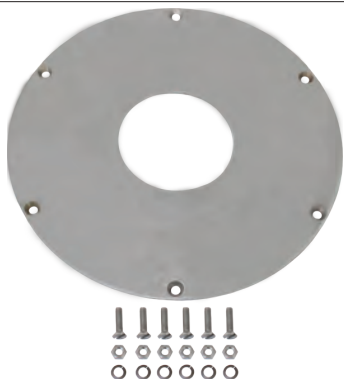


Press-In Wheel Studs

K71-849-00

Fits AL-KO and Hayes Axle, 10K - 16K axles. (K363910)

Part No.	Quantity	Parts Description
007-362-00	8	Press-In Wheel Stud- 5/8-18 X 3.00"



Armature Plate Replacement Kit

K71-864-00

Fits AL-KO and Hayes Axle, 10K - 16K axles with Electric Brakes. (K568261)

Part No.	Quantity	Parts Description
071-823-00	1	Armature Plate
007-358-00	6	Armature Bolt
005-079-00	6	Lock Washer
006-099-00	6	Locknut



Rubber Equalizer Bushing Kit

K71-874-00

Fits AL-KO and Hayes Axle, 10K - 16K axles. (K8307)

Part No.	Quantity	Parts Description
014-162-00	1	Equalizer Bushing
007-359-00	1	Equalizer Bolt
006-112-00	1	Locknut



Spindle Nut, Washer & Cotter Key Kit

K71-844-00

Fits AL-KO and Hayes Axle, 2K - 8K axles. (AK363257)

Part No.	Quantity	Parts Description
006-176-00	1	Nut
005-223-00	1	Washer
019-002-00	1	Cotter Pin
005-027-00	1	Washer Flat



Spindle Nut, Washer & Cotter Key Kit

K71-872-00

Fits AL-KO and Hayes Axle, 10K - 16K axles. (K568135)

Part No.	Quantity	Parts Description
005-224-00	1	Spindle Washer
006-239-00	1	Spindle Nut
019-035-00	1	Cotter Pin

600 – 7,000 LBS. CAPACITY

Generally this capacity range is referred to as “light duty”. Many brakes, hubs and hub-drums from this capacity range see overlap with existing Dexter designs and are viewed as interchangeable with existing Genuine Dexter Parts. It is important to use the recommended components during a repair. Incorrect or mismatching of components can result in performance related issues. Please refer to the product cross-reference for detailed match-ups.

8,000 – 16,000 LBS. CAPACITY

Capacity group is identified as “Heavy Duty” by AL-KO. This capacity range was produced in the Shawnee Oklahoma facility. The designs are unique and are not interchangeable with other products in the market, including Dexter. AL-KO Genuine Parts by Dexter are a requirement. Any other components may result in failure.

#42 Spindle 8K CAPACITY – 12" x 2" Electric, 12" x 3 3/8" Electric Hydraulic

History: The AL-KO 12" x 3 3/8" 8K brake product was a carryover from the Hayes Axle product line. The brake design shares many components with larger capacities, with the exception of brake shoes. Installing brake shoes intended for the 10K -12K brake can cause brake failure.

Incorporating a unique drum casting and bearing combination, the AL-KO 12" x 2" electric brake was developed in the early 2000's.

- #42 Spindle – Inner Bearing Journal = 1 3/4"; Outer Bearing Journal = 1 1/4"
- Brake Size: 12" x 3 3/8" or 12" x 2"(electric only)
- Brake Options: Electric Drum or Hydraulic Drum
- Bolt Pattern: 8 on 6.50" – hub is piloted at 4.75"
- Lubrication Options: Standard Grease, Lubed Spindle, or Oil
- Stud Options: 9/16" or 5/8"

The AL-KO #99 10K General Duty (10KGD) hub & drum was also used by predecessor companies Hayes, and Kelsey-Hayes. This particular hub & drum has been used in the industry for many years. In some instances, this hub & drum may be used to replace older DDR & QRG hubs & drums that used AL-KO or Warner brakes. AL-KO ceased making axles with this hub in 2011, upgrading general duty axles with a one piece hub-drum on 10K on #120 spindle. Hubs fitting the #99 spindle will not interchange with the #120 spindle.

The 2-piece hub and drum design of the #120 and #160 spindle products allow for several hybrid combinations of spindle and hub to brake and drum. Several combinations focus on utilizing larger brake sizes on lower capacity products.

#99 Spindle 10K CAPACITY – GENERAL DUTY - 12 1/2 x 3 1/2" Electric, Hydraulic

- #99 Spindle – Inner Bearing Journal = 2"; Outer Bearing Journal = 1 3/4"
- Available in both a 4.75 pilot and a 4.88 pilot.
- Bolt Pattern: 8 on 6.50"
- Older, non-AL-KO hubs may use a different seal. Use discretion and check seal dimensions. Not doing so may result in failure.
- Use only Genuine AL-KO Replacement Parts.
- Other seal brands may cause lubricants to leak.
- Hubs & drums may only be used on axles configured with AL-KO or Warner brakes.
- Common AL-KO casting number 7290. This is on both 4.75" and 4.88" pilots.
- Distance between the races = 3 1/8"
- Features a removable armature plate.
- Replacement axle beams are available. Note: axle beams come with spindle nuts & washers only, hubs, brakes and other parts sold separately.

#120 Spindle – 10K Advanced Design, 12 1/4" x 3 1/2" Electric or Hydraulic

- #120 Spindle – Inner Bearing Journal = 2 1/2"; Outer Bearing Journal = 1 3/4"
- Single Piece, Unicast Design – Will not interchange with #120 spindle axles using unicast hub & drums. Will not interchange with older #99 Spindle 10K axles.
- Brake Size: 12 1/4" x 3 1/2" Electric or Hydraulic Drum
- Brake Options: Electric Drum or Hydraulic Drum
- Lubrication Options: Grease or SAE 80/90W Oil
- Bolt Pattern: 8 on 6.50"
- Stud Options: 5/8"
- Nut Options: Cone Nut (must be used with wheel ring), Fixed Flange, or Swiveling Flange
- Pilot Options: 4.75" and 4.88"

#120 Spindle – 10K Heavy Duty and 12K, 12 1/4" x 3 1/2" Electric or Hydraulic, Hydraulic Disc

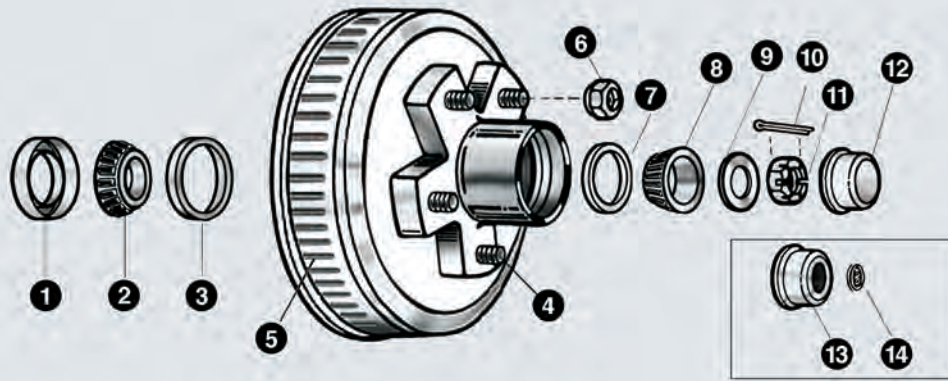
- #120 Spindle – Inner Bearing Journal = 2 1/2"; Outer Bearing Journal = 1 3/4"
- Two Piece Hub & Drum Design – Will not interchange with #120 spindle axles using one piece unicast hub & drum
- Brake Size: 12 1/4" x 3 1/2" Electric or Hydraulic Drum
- 12" Brake Rotor, floating caliper
- Brake Options: Electric Drum, Hydraulic Drum, or Air
- Lubrication Options: Standard Grease or SAE 80/90W Oil
- Bolt Pattern: 8 on 6.50"
- Stud Options: 5/8"
- Nut Options: 5/8" Cone Nut (must be used with wheel ring), 5/8" or 3/4" Fixed Flange, or 5/8" or 3/4" Swiveling Flange
- Pilot options: 4.75" and 4.88"

#160 Spindle – 12 1/4" x 5" Electric, Hydraulic or 12 1/4" x 5 1/2" Air

- #160 Spindle – Inner Bearing Journal = 2 5/8" Outer Bearing Journal = 2"
- Two Piece Hub & Drum Design
- Brake Size: 12 1/4" x 5" Electric or Hydraulic, 12 1/4" x 5 1/2" Air
- Brake Options: Electric Drum, Hydraulic Drum, or Air
- Lubrication Options: Grease or SAE 80/90W Oil
- Bolt Patterns: 6 on 8.75", 10 on 8.75"
- Stud Options: 3/4" Directional
- Nut Options: Swiveling Flange or Two Piece
- Hub Pilot is 6.50"

Service Replacement Parts

AL-KO GENUINE PARTS: 2,200 - 3,500 lb.



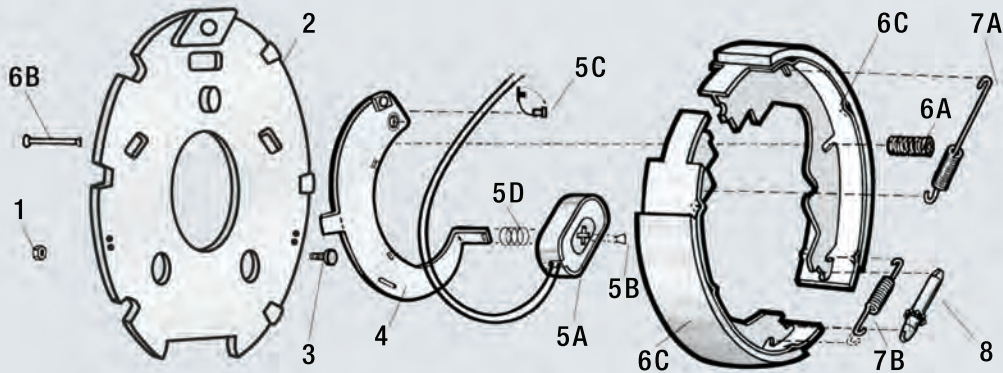
Required with Ultralube Spindle

Drum Size: 10" x 1 3/4"

Parts List

Item	Part Description	Dexter Part No.
1	Grease Seal Double Lipped	010-019-00
2	Inner Bearing Cone	031-033-02
3	Inner Bearing Cup	031-033-02
4	Stud 1/2" - 20	007-361-00
5	Hub & Drum / Cups & Studs	—
5A	5 on 4.5" Bolt Circle	008-478-05
6	Wheel Nut, 1/2" - 20 60° Cone	006-080-00

Item	Part Description	Dexter Part No.
7	Outer Bearing Cup L44610	031-031-01
8	Outer Bearing Cone L44649	031-031-02
9	Spindle Washer 1" x 1 3/4" O.D.	005-027-00
10	Cotter Pin	019-002-00
11	Spindle Nut 1" - 14	006-176-00
12	Grease Cap	021-003-00
13	Grease Cap (Ultralube)	021-041-01
14	Rubber Plug (Ultralube)	085-016-00



Brake Size: 10" x 1 3/4"

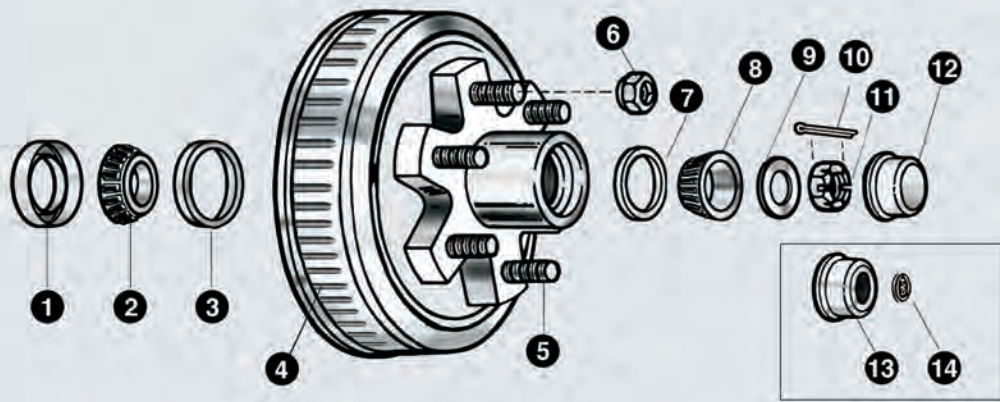
Parts List

No.	Part Description	Dexter Part No.
0	RH Brake Assembly Complete	—
0	LH Brake Assembly Complete	—
1	Brake Mounting Nut 7/16" - 20	006-017-01
2	Backing Plate	—
3	Brake Mounting Stud 7/16" - 20	006-092-01
4	RH Lever Assembly	—
4	LH Lever Assembly (Shown)	—
5	Magnet Kit	K71-871-00
5A	Magnet Assembly	042-140-00
5B	Retaining Clip	027-009-00
5C	Brake Wire Grommet	046-016-00
5D	Magnet Spring	046-175-00

No.	Part Description	Dexter Part No.
6	Shoe & Lining Kit 10 x 1.75	K71-836-00
6A	Spring & Cup - Shoe Holddown	046-077-00
6B	Hold Down Pin	049-002-00
6C	Shoe & Lining Assembly	040-450-00
7	Brake Spring Kit	K71-853-00
7A	Shoe Retractor Spring	046-174-00
7B	Adjuster Screw Spring	046-018-00
6A	Spring & Cup - Shoe Holddown	046-077-00
6B	Shoe Hold Down Pin	049-002-00
6C	Shoe Hold Down Spring	046-018-00
5D	Magnet Spring	046-175-00
5E	Magnet Clip	027-009-00
8	Adjuster Screw Assembly	043-004-00
NS	Magnet Wire Loom	027-075-00

Service Replacement Parts

AL-KO GENUINE PARTS: 4,400 lb.



Required with Ultralube Spindle

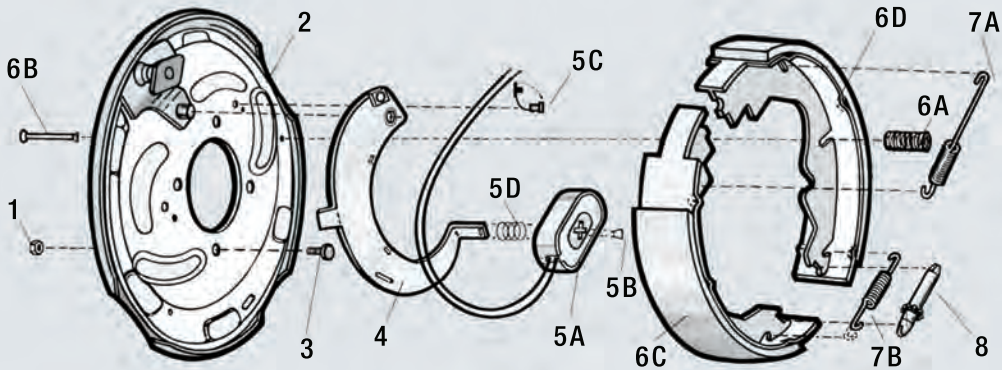
Drum Size: 10" x 2 1/4"

Parts List

No.	Part Description	Dexter Part No.
1	Grease Seal Double Lipped	010-019-00
2	Inner Bearing Cone L68149	031-033-02
3	Inner Bearing Cup L68111	031-033-01
4	Idler Hubs w / Cups & Studs	—
4	6 on 5.5" Bolt Circle	008-480-05
5	Stud 1/2" - 20	007-361-00
6	Wheel Nut, 1/2" - 20 60° Cone	006-080-00

No.	Part Description	Dexter Part No.
7	Outer Bearing Cup LM67010	031-032-01
8	Outer Bearing Cone LM67048	031-032-02
9	Spindle Washer 1" x 1 3/4" O.D.	005-027-00
10	Cotter Pin	019-002-00
11	Spindle Nut 1" - 14	006-176-00
12	Grease Cap	021-001-00
13	Grease Cap (Ultralube)	021-042-01
14	Rubber Plug (Ultralube)	085-016-00

Note: Only compatible with AL-KO 4.4K capacity product



Brake Size: 10" x 2 1/4"

Parts List

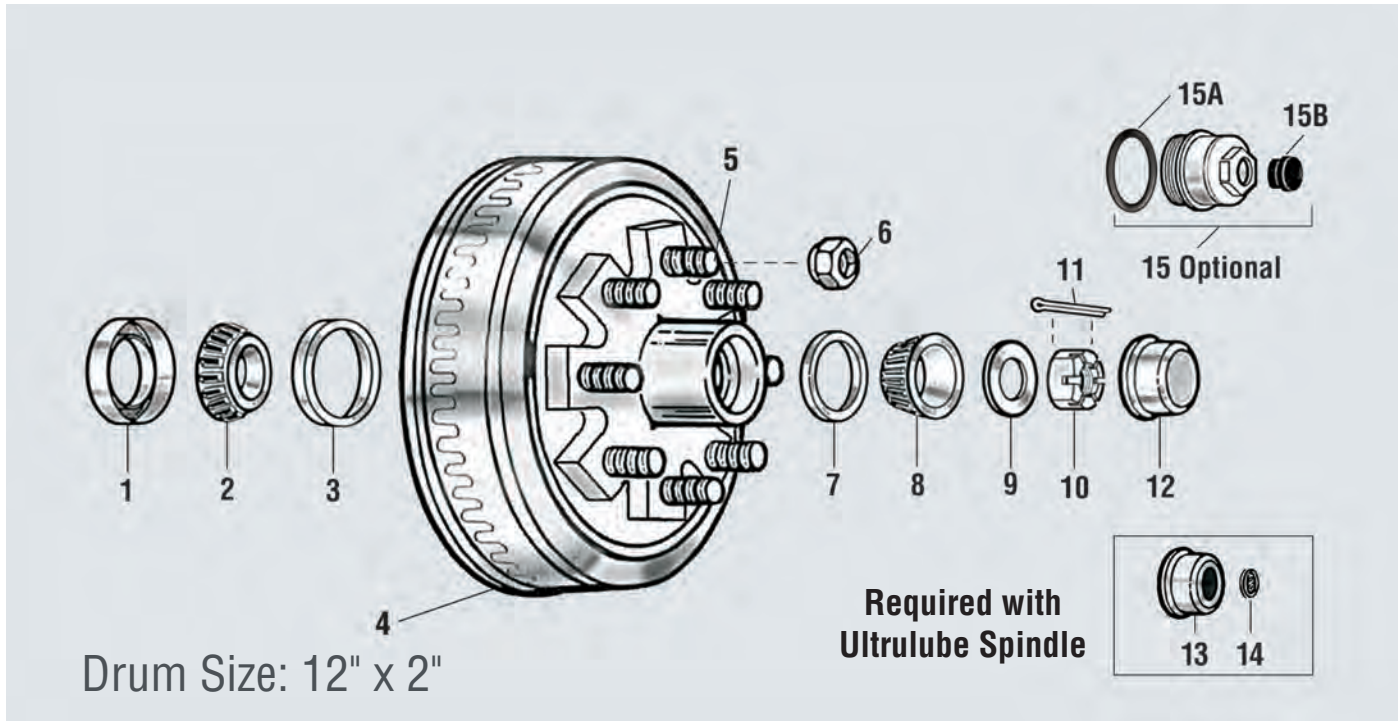
No.	Part Description	Dexter Part No.
0	RH Brake Assembly Complete	K23-539-00
0	LH Brake Assembly Complete	K23-538-00
1	Brake Mounting Nut 7/16" - 20	006-017-01
2	Backing Plate	—
3	Brake Mounting Stud 7/16" - 20	007-328-00
4	RH Lever Assembly	047-226-00
4	LH Lever Assembly (Shown)	047-227-00
5	Magnet Kit	K71-871-00
5A	Magnet Assembly	042-140-00
5B	Magnet Clip	027-009-00
5C	Brake Wire Grommet	046-016-00
5D	Magnet Spring	046-175-00

No.	Part Description	Dexter Part No.
6	Shoe & Lining Kit 10 x 2.25	K71-854-00
6A	Spring & Cup - Shoe Holddown	046-077-00
6B	Hold Down Pin	049-002-00
6C	Shoe & Lining Assembly Primary	040-447-00
6D	Shoe & Lining Assembly Secondary	040-448-00
7	Brake Spring Kit	K71-853-00
7A	Shoe Retractor Spring	046-174-00
7B	Adjuster Screw Spring	046-018-00
6A	Spring & Cup - Shoe Holddown	046-077-00
6B	Shoe Hold Down Pin	049-002-00
6C	Shoe Hold Down Spring	046-018-00
5D	Magnet Spring	046-175-00
8	Adjuster Screw Assembly	043-004-00
NS	Magnet Wire Loom	027-075-00

Note: Only compatible with AL-KO 4.4K capacity product

Service Replacement Parts

AL-KO GENUINE PARTS: 8,000 lb.

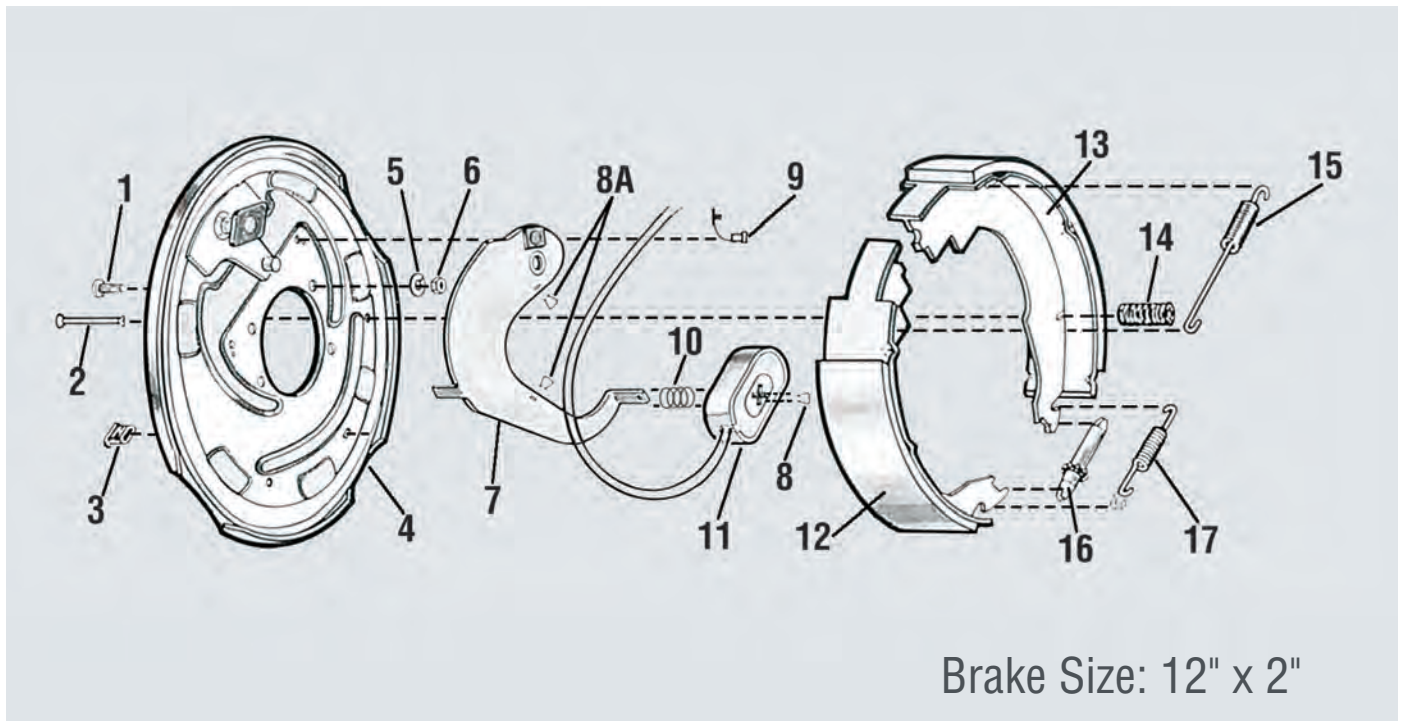


Parts List

No.	Part Description	Dexter Part No.
1	Oil Seal	010-063-00
2	Inner Bearing Cone 25580	031-030-02
3	Inner Bearing Cup 25520	031-030-01
4	Hub & Drum - Oil $\frac{1}{16}$ studs	008-485-06
4A	Hub & Drum - Grease $\frac{1}{16}$ studs	008-485-05
4B	Hub & Drum - Oil $\frac{5}{8}$ studs	008-485-08
4C	Hub & Drum - Grease $\frac{5}{8}$ studs	008-487-07
5	Wheel Stud $\frac{1}{16}$ " - 18	007-357-00
5A	Wheel Stud $\frac{5}{8}$ " - 18	007-115-00
6	Wheel Nut $\frac{1}{16}$ " - 18 60° Cone	006-053-00
6A	Wheel Nut $\frac{5}{8}$ " - 18 90° Cone	006-109-00

No.	Part Description	Dexter Part No.
7	Outer Bearing Cup, 02420	031-028-01
8	Outer Bearing Cone, 02475	031-028-02
9	Spindle Washer	005-223-00
10	Spindle Nut	006-176-00
11	Cotter Pin	019-002-00
12	Grease Cap	021-039-00
13	Grease Cap (Ultrulube)	021-043-01
14	Rubber Plug (Ultrulube)	085-016-00
15	Oil Cap Assembly	021-217-00
15A	O-Ring, Oil Cap	010-259-00
15B	Oil Cap Plug	085-017-00

Note: Only compatible with AL-KO 8K capacity product



Brake Size: 12" x 2"

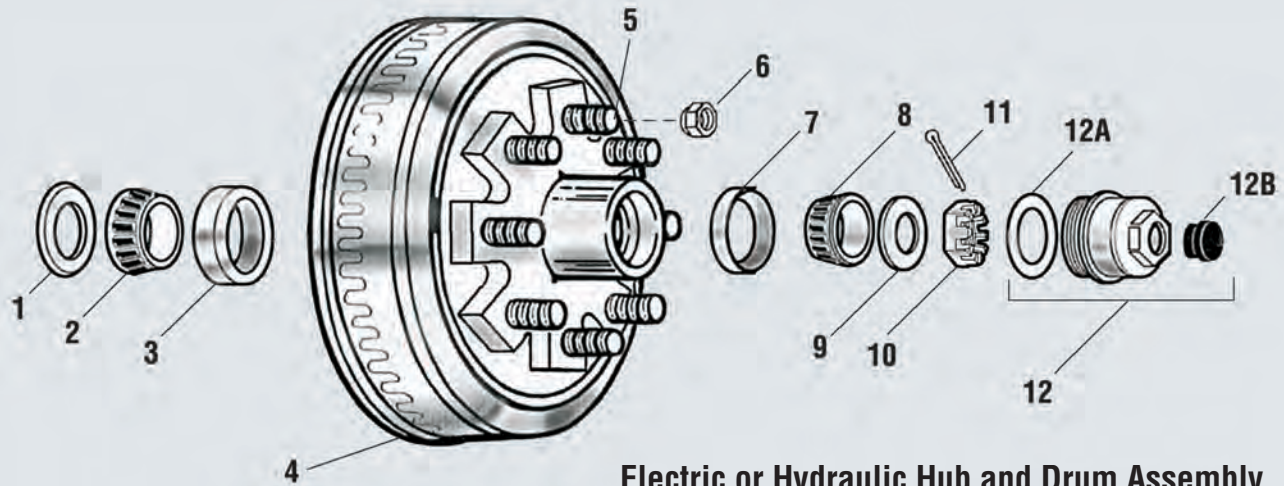
Parts List

No.	Part Description	Dexter Part No.
0	RH Brake Assembly Complete	N/A
0	LH Brake Assembly Complete (Shown)	N/A
1	Brake Mounting Stud, 3/8" - 24	007-112-00
2	Shoe Hold Down Pin	049-002-00
3	Plug Adjuster Slot	046-007-00
4	Backing Plate Assembly - 4 Bolt	—
5	Brake Lock Washer 3/8"	005-004-00
6	Brake Mounting Nut 3/8" - 24	006-193-00
7	RH Lever Assembly	047-224-00
7	LH Lever Assembly (Shown)	047-225-00
8	Clip & Magnet	027-009-00
8A	Clip Wire Retainer	027-005-00

No.	Part Description	Dexter Part No.
9	Strain Relief, Wire	046-016-00
10	Magnet Spring	046-175-00
11	Magnet Assembly	042-140-00
12	Primary Shoe & Lining	040-445-00
13	Secondary Shoe & Lining	040-446-00
14	Shoe Hold Down Cup & Spring	046-077-00
15	Shoe Retract Spring	046-005-00
16	Adjuster Screw Assembly	043-004-00
17	Adjuster Screw Spring	046-018-00

Note: Only compatible with AL-KO 8K capacity product

42 Spindle



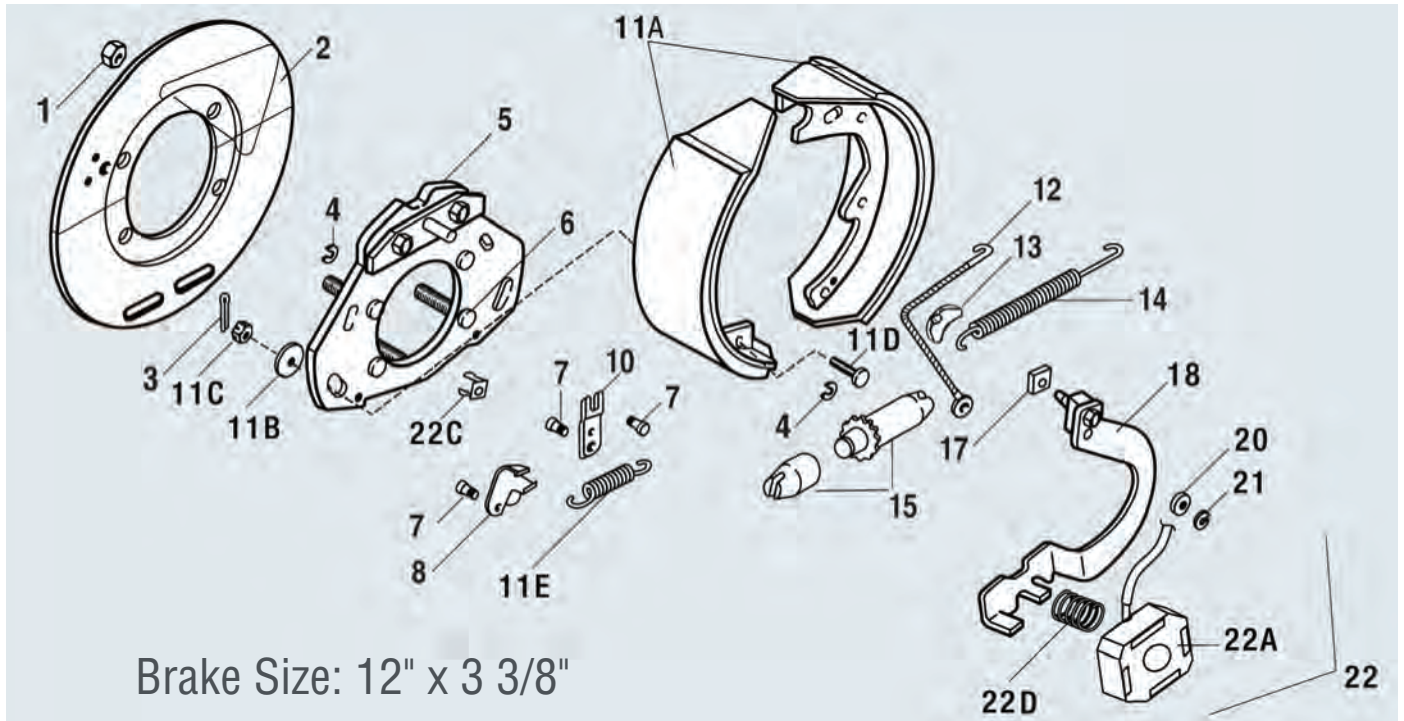
Electric or Hydraulic Hub and Drum Assembly

Drum Size: 12" x 3 3/8"

Parts List

No.	Part Description	Dexter Part No.
1	Oil Seal	010-063-00
2	Inner Bearing Cone 25580	031-030-02
3	Inner Bearing Cup 25520	031-030-01
4	Hub & Drum - 4.75 pilot, 1/16" Stud	008-489-05
4A	Hub & Drum - 4.75 pilot, 5/8" Stud	008-489-07
5	Wheel Stud 1/16" - 18	007-357-00
5A	Wheel Stud 5/8" - 18	007-362-00
6	Wheel Nut 1/16" - 18 60° Cone	006-053-00
6A	Wheel Nut 5/8" - 18 90° Cone	006-109-00

No.	Part Description	Dexter Part No.
7	Outer Bearing Cup, 02420	031-028-01
8	Outer Bearing Cone, 02475	031-028-02
9	Spindle Washer	005-223-00
10	Spindle Nut	006-176-00
11	Cotter Pin	019-002-00
12	Oil Cap Assembly	021-217-00
12	Oil Cap Assembly (Hayes prior to 1997)	021-217-01
12A	O-Ring, Oil Cap	010-045-00
12B	Oil Cap Plug	085-017-00



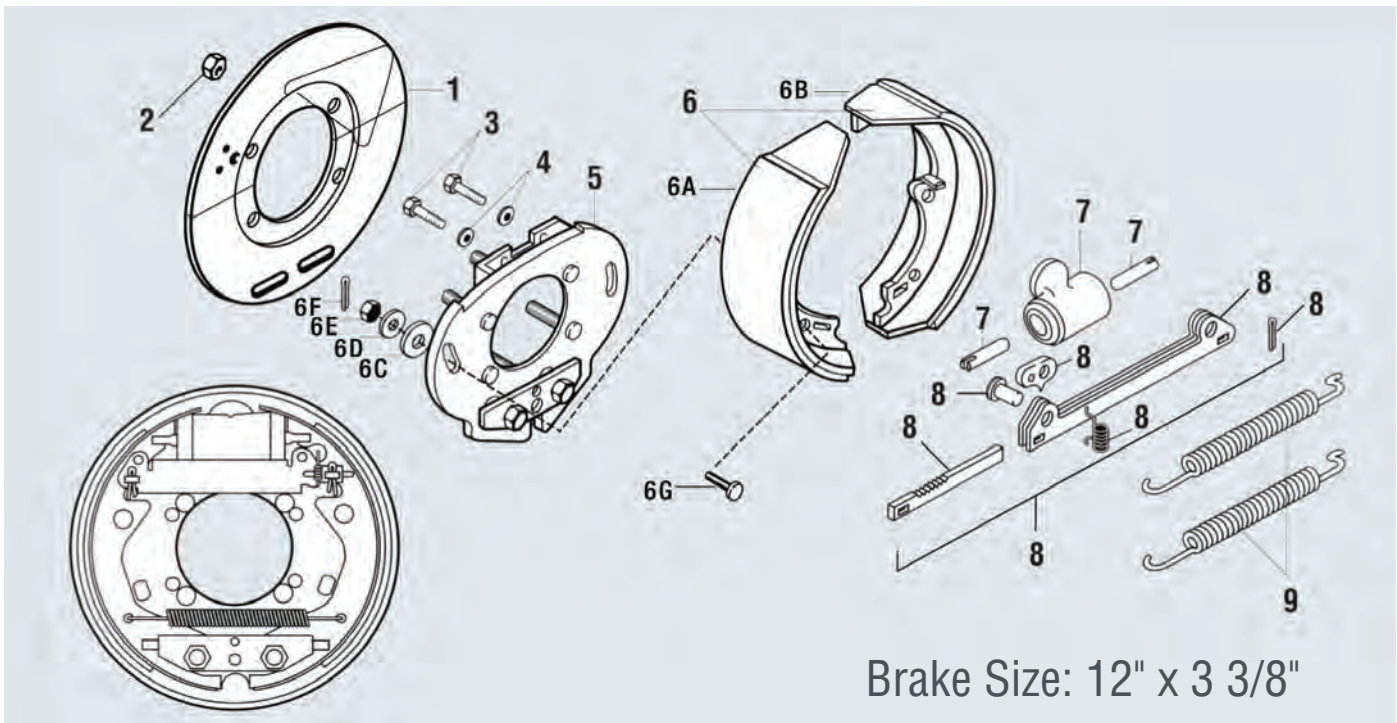
Parts List

No.	Part Description	Dexter Part No.
0	LH Brake Assembly Kit	K23-532-00
0	RH Brake Assembly Kit	K23-533-00
0	LH Brake Assembly	023-532-00
0	RH Brake Assembly	023-533-00
1	Brake Attaching Nut 1/2" - 20	006-129-01
2	Dust Cover (Metal) (2 Required)	036-141-00
3	Shoe Hold Down Cotter Pin	019-027-00
4	Pin Retaining "C" Clip	046-168-00
5	Backing Plate Assembly	—
6	Brake Mounting Stud 1/2 x 20	007-353-00
7	Self Adjuster Pivot Pin	039-060-00
8	RH Auto Adjust Lever (Shown)	071-814-00
9	LH Auto Adjust Lever	071-813-00
10	Self Adjuster Bias Level	071-826-00
11	Shoe & Lining Kit	K71-850-00
11A	Shoe & Lining	040-396-00
11B	Washer Plain	005-197-00
11C	Nut Lock 5/16-24	006-235-00
11D	Bolt Carriage 5/16-24	007-354-00
11E	Spring Self Adjuster Lever	046-165-00

No.	Part Description	Dexter Part No.
12	Cable Assembly	071-816-00
13	Cable Guide	071-815-00
14	Shoe Retract Spring	046-162-00
15	RH Adjuster Assembly (Shown)	048-028-00
16	LH Adjuster Assembly	048-029-00
17	Slipper Block	050-009-00
18	RH Lever Assembly (Shown)	047-211-00
19	LH Lever Assembly	047-210-00
20	Lever Retaining Washer	005-142-00
21	Lever Retaining "E" Clip	046-167-00
22	Magnet Assembly Kit	K71-863-00
22A	Magnet Assy Vented	042-148-00
22C	Grommet Strain Relief Adapter	046-170-00
22D	Spring Magnet	046-171-00
22E	Clip Crimp Ring 1.00" x .75 (Not Shown)	046-169-00
22F	Spring Magnet Retainer (Not Shown)	046-164-00

Service Replacement Parts

AL-KO GENUINE PARTS: 8,000 lb.

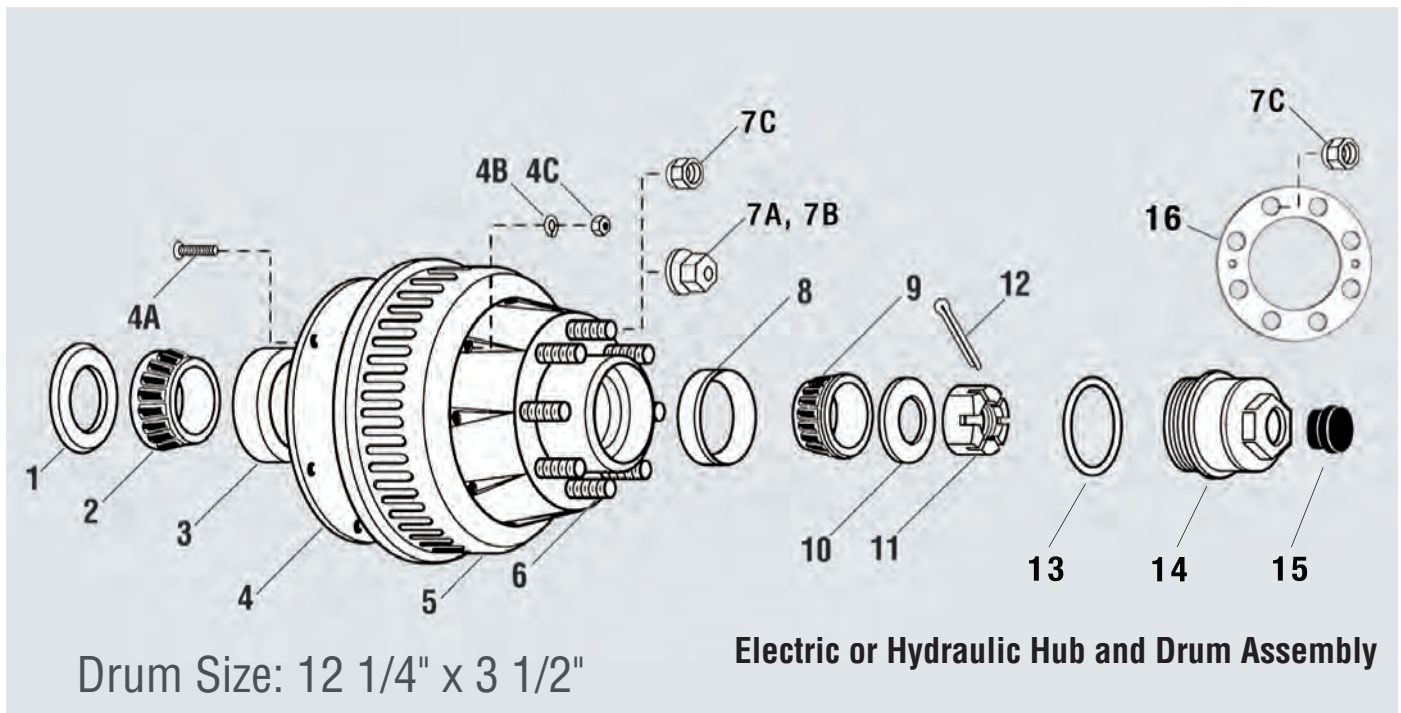


Brake Size: 12" x 3 3/8"

Parts List

No.	Part Description	Dexter Part No.
0	LH or RH Brake Assembly Kit	—
0	LH or RH Brake Assembly	023-527-00
1	Dust Cover (Upper)	036-141-00
1	Dust Cover (Lower)	036-141-00
2	Brake Attaching Nut 1/2" - 20	006-129-01
3	Bolt 3/8" - 16	007-355-00
4	Lock Washer 3/8"	005-004-00
5	Backing Plate Assembly	—

No.	Part Description	Dexter Part No.
6	Shoe & Lining Kig Contains	K71-851-00
6A	Shoe & Lining - RH	040-393-00
6B	Shoe & Lining - LH	040-392-00
6C	Washer Plain	005-197-00
6D	Washer Lock	005-198-00
6E	Nut Lock 5/16 - 24	006-235-00
6F	Cotter Pin	019-027-00
6G	Bolt Carriage 5/16 - 24	007-354-00
7	Wheel Cylinder & Push Rod	054-146-00
8	Self Adjuster Assembly	071-811-00
9	Shoe Retract Spring	046-162-00
NS	Brake Line Connector	034-358-00



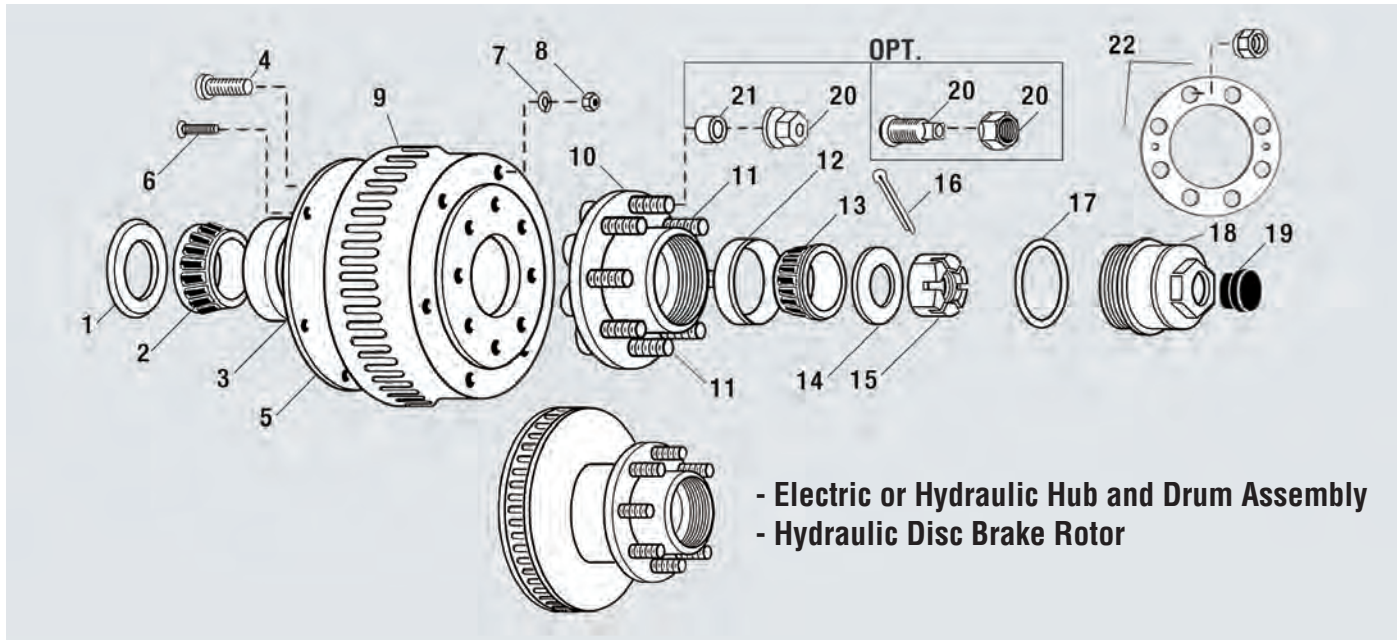
Parts List

No.	Part Description	Dexter Part No. 10K GD	Dexter Part No. 10K AD
1	Oil Seal	010-257-00	010-056-00
2	Inner Bearing Cone	031-090-02	031-095-02
3	Inner Bearing Cup	031-090-01	031-095-01
4	Armature Plate	071-823-00	071-823-00
4A	Flat Head Bolt, 1/4" - 20	007-358-00	007-358-00
4B	Lock Washer, 1/4"	005-079-00	005-079-00
4C	Hex Nut, 1/4" - 20	006-099-00	006-099-00
5B	Hub & Drum (F.F.) 4.88" Hub Pilot	008-481-09	008-490-05
5C	Hub & Drum (F.F.) 4.75" Hub Pilot	008-481-05	008-490-09
6	Wheel Stud, 5/8" x 3" for Single & Flat Face	007-362-00	007-362-00
7A	Dual Wheel Nut - Swiveling Flange 5/8" - 18	006-209-00	006-209-00

No.	Part Description	Dexter Part No. 10K GD	Dexter Part No. 10K AD
NS	Dual Wheel Nut - Fixed Flanged (Coined)	006-058-00	006-058-00
7C	Single Wheel Nut 5/8" - 18 90° Cone	006-109-00	006-109-00
8	Outer Bearing Cup	031-030-02	031-096-01
9	Outer Bearing Cone	031-030-01	031-096-02
10	Spindle Washer	005-224-00	008-224-00
11	Spindle Nut	006-239-00	006-239-00
12	Cotter Pin	019-035-00	019-035-00
13	O-Ring, Oil Cap	010-258-00	010-258-00
14	Oil Cap Assembly	021-219-00	021-219-00
15	Oil Cap Plug	085-017-00	085-017-00
16	Wheel Clamp Ring for 5/8" Studs	033-097-01	033-097-01

Service Replacement Parts

AL-KO GENUINE PARTS: 10 - 16K

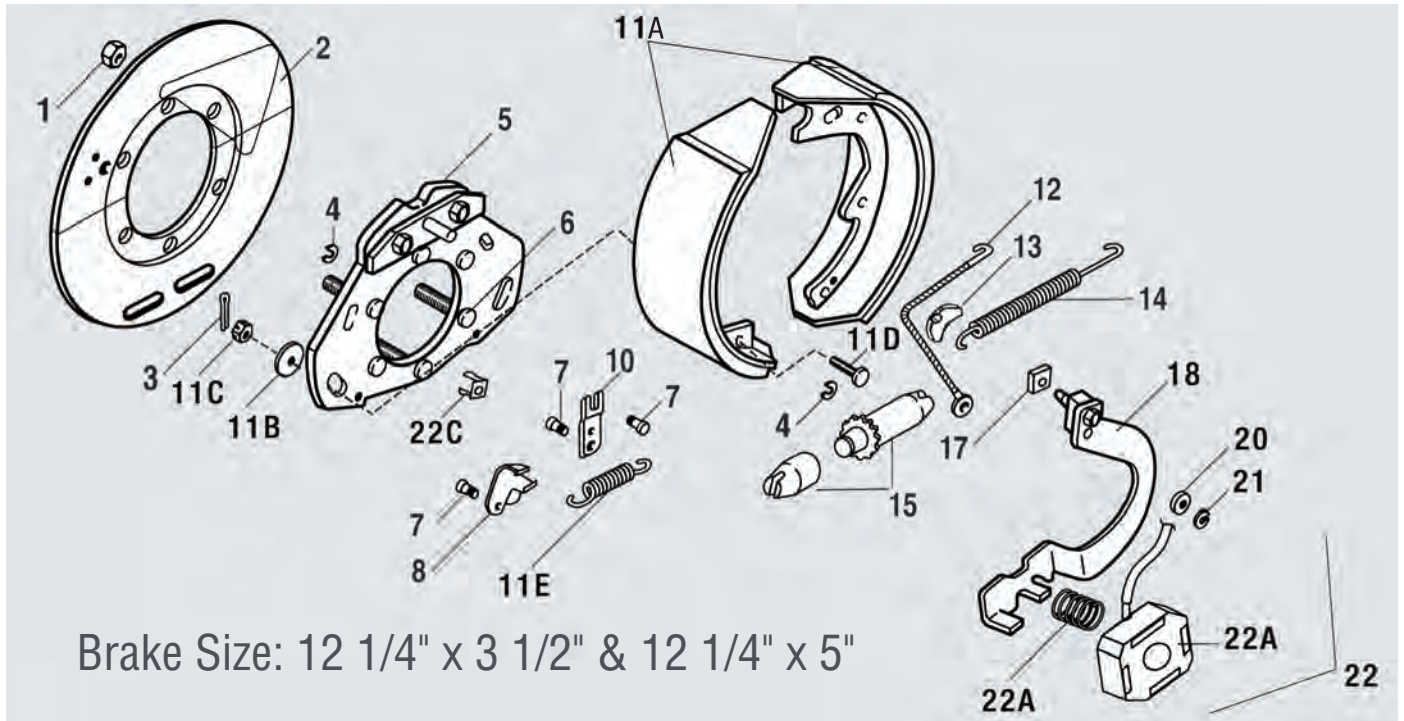


- Electric or Hydraulic Hub and Drum Assembly
- Hydraulic Disc Brake Rotor

Parts List

No.	Part Description	10K HD & 12K						16K	
		120# Spindle Drum w/8 on 6.5" Bolt Pattern	120# Spindle Drum w/6 on 8.75" Bolt Pattern	120# Spindle Drum w/6 on 8.75" Bolt Pattern (Double Cap Nut)	120# Spindle Drum w/10 on 8.75" Bolt Pattern	120# Spindle Drum w/10 on 8.75" Bolt Pattern (Double Cap Nut)	120# Spindle Rotor w/8 on 6.5" Bolt Pattern	160# Spindle Drum w/6 on 8.75" Bolt Pattern	160# Spindle Drum w/10 on 8.75" Bolt Pattern
1	Unitized Seal	010-056-00	010-056-00	010-056-00	010-056-00	010-056-00	010-056-00	010-056-00	010-056-00
2	Inner Bearing Cone	031-095-02 (JM511946)	031-095-02 (JM511946)	031-095-02 (JM511946)	031-095-02 (JM511946)	031-095-02 (JM511946)	031-095-02 (JM511946)	031-097-02 (39590)	031-097-02 (39590)
3	Inner Bearing Cup	031-095-01 (JM511910)	031-095-01 (JM511910)	031-095-01 (JM511910)	031-095-01 (JM511910)	031-095-01 (JM511910)	031-095-01 (JM511910)	031-097-01 (39520)	031-097-01 (39520)
4	Drum Mounting Bolt	007-458-00	007-458-00	007-458-00	007-458-00	007-458-00	—	007-458-00	007-458-00
5	Armature Plate	071-823-00	071-823-00	071-823-00	071-823-00	071-823-00	—	071-823-00	071-823-00
6	Flat Head Bolt, 1/4" - 20	007-358-00	007-358-00	007-358-00	007-358-00	007-358-00	—	007-358-00	007-358-00
7	Lock Washer, 1/4"	005-079-00	005-079-00	005-079-00	005-079-00	005-079-00	—	005-079-00	005-079-00
8	Hex Nut, 1/4" - 20	006-099-00	006-099-00	006-099-00	006-099-00	006-099-00	—	006-099-00	006-099-00
9	Brake Drum	009-132-01	009-132-01	009-132-01	009-132-01	009-132-01	—	009-131-01	009-131-01
9A	Brake Rotor	—	—	—	—	—	A09089421 (FF)* A090814 (COINED)**	—	—
10	Hubs w/Cups & Studs 5/8" Studs	A568215 (FF)* A090884 (Coined)**	—	—	—	—	—	—	—
10	Hubs w/Cups & Studs 3/4" Studs	—	—	—	—	—	—	—	A09080683 (FF)* A09083620 (RH) A09080621 (LH) - (COINED)**
11	Wheel Mounting Stud	007-362-00 (5/8") 007-459-00 (3/4")	007-459-00 (3/4")	A09077152 (RH) A09077153 (LH)	A09077116 (3/4")	A09077152 (RH) A09077153 (LH)	007-362-00 (5/8")	A09077116 A09077152 (RH) A09077153 (LH) - (COINED)**	A09077116 A09077152 (RH) A09077153 (LH) - (COINED)**
12	Outer Bearing Cup	031-096-01 (JM205110)	031-096-01 (JM205110)	031-096-01 (JM205110)	031-096-01 (JM205110)	031-096-01 (JM205110)	031-096-01 (JM205110)	031-096-01 (JM205110)	031-096-01 (JM205110)
13	Outer Bearing Cone	031-096-02 (JM205149)	031-096-02 (JM205149)	031-096-02 (JM205149)	031-096-02 (JM205149)	031-096-02 (JM205149)	031-096-02 (JM205149)	031-096-02 (JM205149)	031-096-02 (JM205149)
14	Spindle Washer	005-224-00	005-224-00	005-224-00	005-224-00	005-224-00	005-224-00	005-224-00	005-224-00
15	Spindle Nut	006-239-00	006-239-00	006-239-00	006-239-00	006-239-00	006-239-00	006-239-00	006-239-00
16	Cotter Pin	019-035-00	019-035-00	019-035-00	019-035-00	019-035-00	019-035-00	019-035-00	019-035-00
17	Oil Cap O-Ring	010-258-00	010-258-00	010-258-00	010-258-00	010-258-00	010-258-00	010-258-00	010-258-00
18	Oil Cap	021-219-00	021-219-00	021-219-00	021-219-00	021-219-00	021-219-00	021-219-00	021-219-00
19	Oil Cap Plug	085-017-00	085-017-00	085-017-00	085-017-00	085-017-00	085-017-00	085-017-00	085-017-00
20	Wheel Attaching Nut	006-209-00 (SWIVELING FLANGE)	006-240-00 (SWIVELING FLANGE)	006-069-01 / 006-070-01 RH 006-069-02 / 006-070-02 LH	006-240-00 (SWIVELING FLANGE)	006-069-01 / 006-070-01 RH 006-069-02 / 006-070-02 LH	006-209-00 (SWIVELING FLANGE) 006-058-00 (FIXED FLANGE - COINED)**	006-240-00 (SWIVELING FLANGE)	006-240-00 (SWIVELING FLANGE)
21	Wheel Attaching Misc.	—	A09141905 (STUD SLEEVE)	—	A09141905 (STUD SLEEVE)	—	—	A09141905 (STUD SLEEVE)	A09141905 (STUD SLEEVE)
22	Wheel Clamp Ring & Nut	033-097-01 006-109-00 (5/8" - 90° CONE)	—	—	—	—	033-097-01 006-109-00 (5/8" - 90° CONE)	—	—

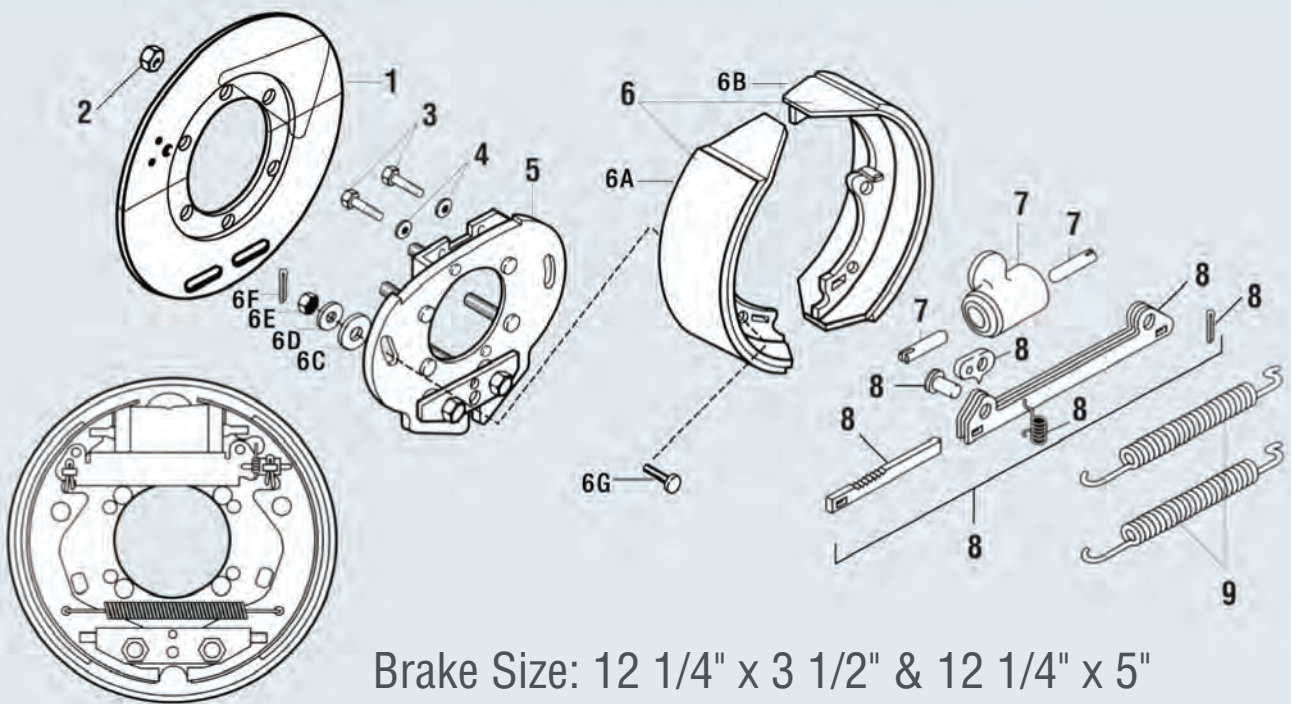
*Used with Flat Face Wheels**Used with Coin In-Out Wheels (Replacement only)



Parts List

No.	Part Description	12 1/4" x 3 1/2" 10K & 12K Dexter Part No.	12 1/4" x 3 1/2" 10K & 12K Dexter Part No.	12 1/4" x 5" 16K Dexter Part No.
0	LH Brake Assembly Kit	K23-528-00	023-530-00	023-525-00
0	RH Brake Assembly Kit	K23-529-00	023-531-00	023-526-00
0	LH Brake Assembly	023-528-00	023-530-00	023-530-00
0	RH Brake Assembly	023-529-00	023-531-00	023-531-00
1	Brake Attaching Nut 1/2" - 20	006-129-01	006-129-01	006-129-01
2	Dust Cover (Metal) (2 Required)	036-140-01	036-140-01	036-140-01
3	Shoe Hold Down Cotter Pin	019-027-00	019-027-00	019-027-00
4	Pin Retaining Clip	046-168-00	046-168-00	046-168-00
5	Backing Plate Assembly			
6	Brake Mounting Stud 1/2 x 20	007-353-00	007-353-00	007-353-00
7	Self Adjuster Pivot Pin	039-060-00	039-060-00	039-060-00
8	RH Auto Adjust Lever (Shown)	071-814-00	071-814-00	071-814-00
9	LH Auto Adjust Lever	071-813-00	071-813-00	071-813-00
10	Self Adjuster Bias Level	071-826-00	071-826-00	071-826-00
11	Shoe & Lining Kit	K71-818-00	K71-867-00	K71-867-00
11A	Shoe & Lining	040-395-00	040-394-00	040-394-00
11B	Washer Plain	005-197-00	005-197-00	005-197-00
11C	Nut Lock 5/16-24	006-235-00	006-235-00	006-235-00
11D	Bolt Carriage 5/16-24	007-354-00	007-354-00	007-354-00

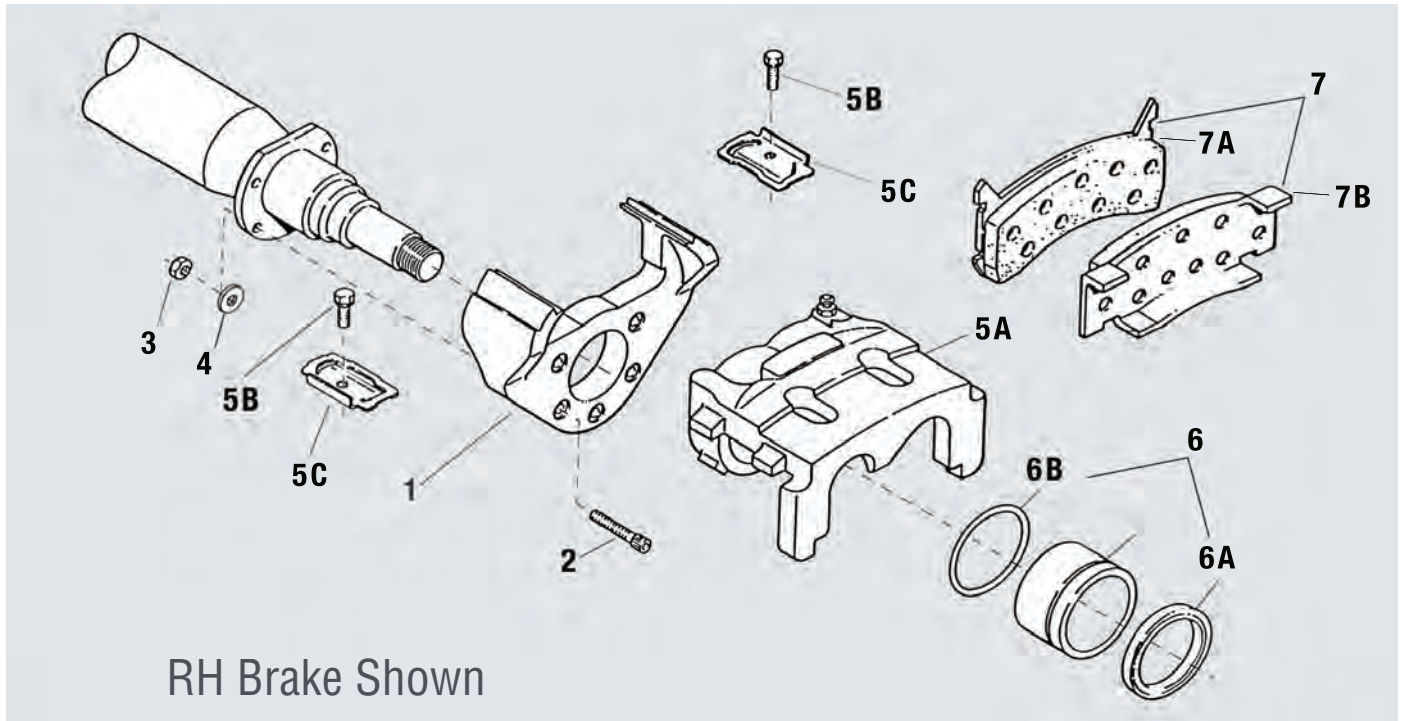
No.	Part Description	12 1/4" x 3 1/2" 10K & 12K Dexter Part No.	12 1/4" x 3 1/2" 10K & 12K Dexter Part No.	12 1/4" x 5" 16K Dexter Part No.
11E	Spring Self Adjuster Lever	046-165-00	046-165-00	046-165-00
12	Cable Assembly	071-816-00	071-816-00	071-816-00
13	Cable Guide	071-815-00	071-815-00	071-815-00
14	Shoe Retract Spring	046-162-00	046-162-00	046-162-00
15	RH Adjuster Assembly (Shown)	048-028-00	048-028-00	048-028-00
16	LH Adjuster Assembly	048-029-00	048-029-00	048-029-00
17	Slipper Block	050-009-00	050-009-00	050-009-00
18	RH Lever Assembly (Shown)	047-211-00	047-209-00	047-209-00
19	LH Lever Assembly	047-210-00	047-208-00	047-208-00
20	Lever Retaining Washer	005-142-00	005-142-00	005-142-00
21	Lever Retaining Clip	046-167-00	046-167-00	046-167-00
22	Magnet Assembly Kit	K71-863-00	K71-863-00	K71-863-00
22A	Magnet Assy Vented 9-16K	042-148-00	042-148-00	042-148-00
22B	Grommet Magnet Wire	046-166-00	046-166-00	046-166-00
22C	Grommet Strain Relief Adapter	046-170-00	046-170-00	046-170-00
22E	Clip Crimp Ring 1.00" x .75 (Not Shown)	046-169-00	046-169-00	046-169-00
22F	Spring Magnet Retainer 10-16K (Not Shown)	046-164-00	046-164-00	046-164-00



Brake Size: 12 1/4" x 3 1/2" & 12 1/4" x 5"

Parts List

No.	Part Description	12 1/4" x 3 1/2" 10K & 12K Dexter Part No.	12 1/4" x 5" 16K Dexter Part No.
0	LH or RH Brake Assembly Kit	K23-524-00	023-614-00
0	LH or RH Brake Assembly	023-524-00	023-614-00
1	Dust Cover (Upper)	036-140-02	036-140-02
1	Dust Cover (Lower)	036-140-01	036-140-01
2	Brake Attaching Nut 1/2" - 20	006-129-01	006-129-01
3	Bolt 3/8" - 16 x 3/4"	007-355-00	007-355-00
4	Lock Washer 3/8"	005-004-00	005-004-00
5	Backing Plate Assembly	—	—
6	Shoe & Lining Kit Contains	K71-861-00	K71-842-00
6A	Shoe & Lining - RH	040-469-00	040-397-00
6B	Shoe & Lining - LH	040-468-00	040-398-00
6C	Washer Plain	005-197-00	005-197-00
6D	Washer Lock	005-198-00	005-198-00
6E	Nut Lock 5/16 - 24	006-235-00	006-235-00
6F	Cotter Pin .148 Dia.	019-027-00	019-027-00
6G	Bolt Carriage 5/16 - 24	007-354-00	007-354-00
7	Wheel Cylinder & Push Rod	054-146-00	054-146-00
8	Self Adjuster Assembly	071-811-00	071-811-00
9	Shoe Retract Spring	046-162-00	046-162-00
NS	Brake Line Connector	034-358-00	034-358-00

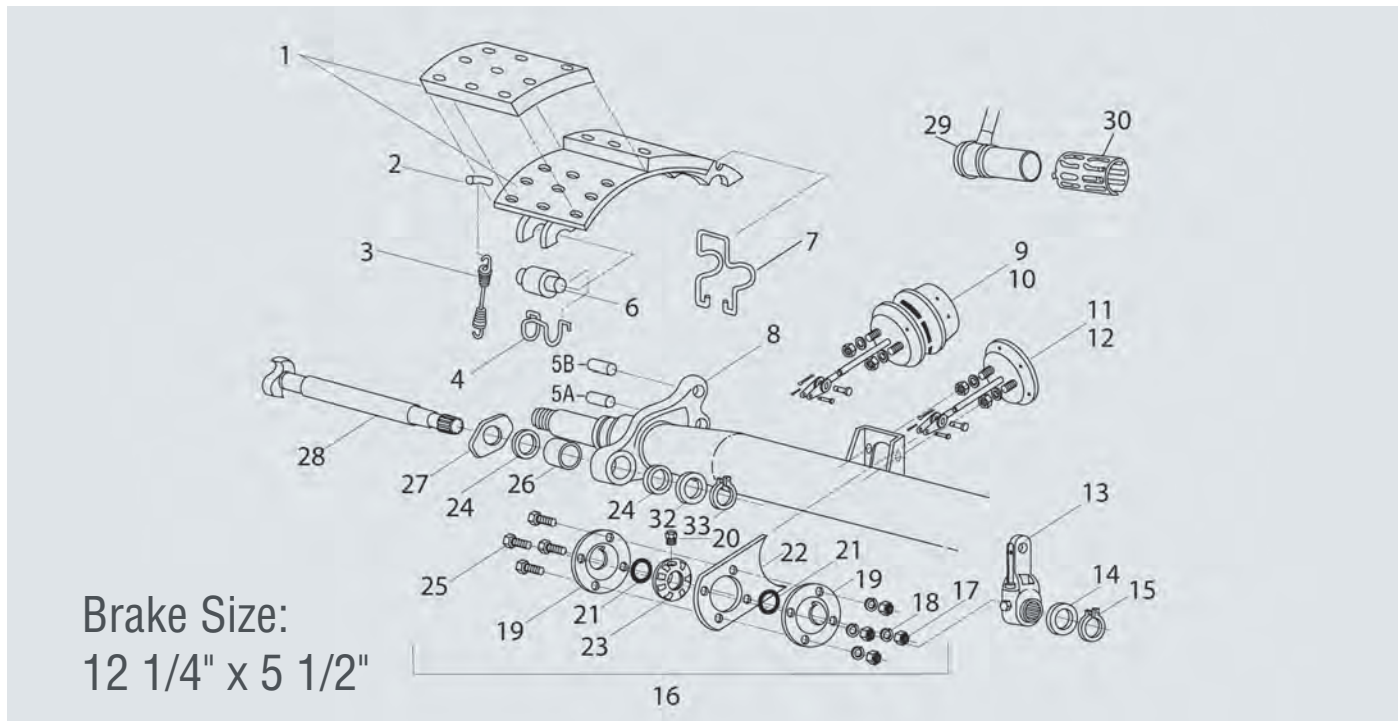


Parts List

No.	Part Description	Dexter Part No.
1	Torque Plate	090-022-01
2	Torque Plate Mounting Bolt	007-461-00
3	Torque Plate Mounting Nut	006-129-01
4	Washer	005-058-00
5	Right Hand Caliper Kit Contains	K71-833-00
5A	Caliper RH	089-052-00
5B	Washer Bolt & Lock	007-449-00
5C	Plate Caliper Retainer	046-176-00
5	Left Hand Caliper Kit Contains	K71-834-00
5A	Caliper LH	089-053-00
5B	Washer Bolt & Lock	007-449-00
5C	Plate Caliper & Lock	046-176-00
6	Hydraulic Disc Caliper Repair Kit Contains	K71-832-00
6A	Caliper Boot	010-261-00
6B	Seal Caliper	010-260-00
7	Brake Pad Replacement Kit	K71-866-00
7A	Disc Pad Shoe & Lining	091-018-00
7B	Disc Pad Shoe & Lining	091-019-00

Service Replacement Parts

AL-KO GENUINE PARTS: 10 - 16K



Brake Size:
12 1/4" x 5 1/2"

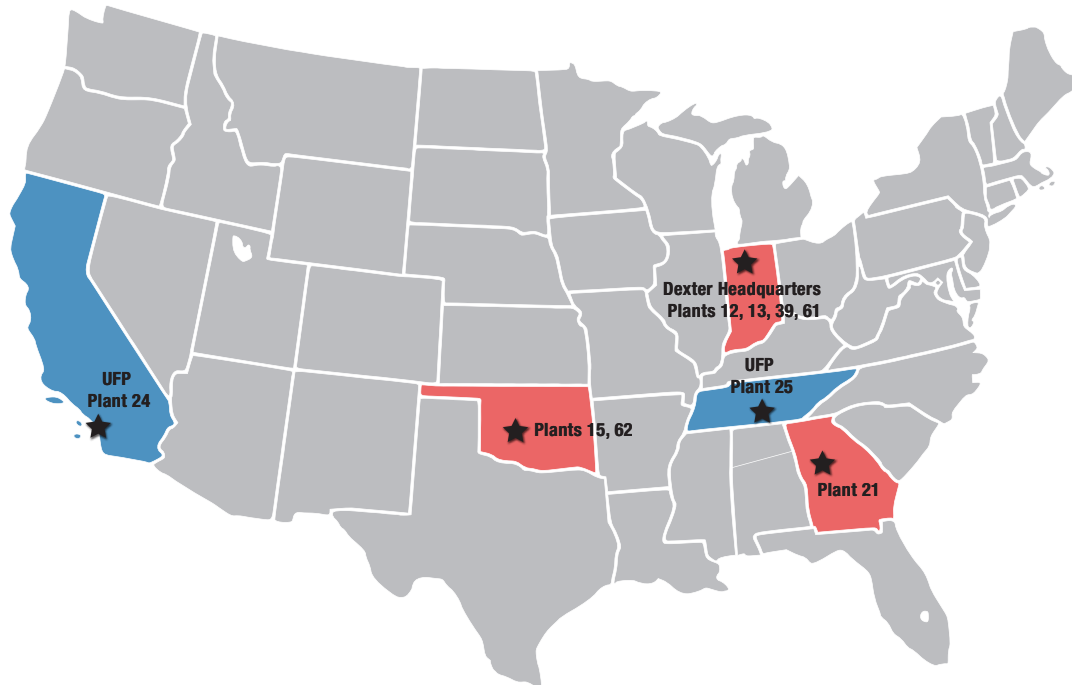
Parts List

No.	Part Description	Dexter Part No.
1	Shoe & Lining Kit Contains	K71-868-00
1	Shoe & Lining Assembly	040-449-00
2	Retaining Pin	056-018-00
3	Return Spring	046-177-00
4	Retainer Cam Roller	046-173-00
5A	Anchor Pin, 1 1/4" Dia.	056-017-00
5B	Anchor Pin 1" Dia.	038-077-00
6	Cam Roller	034-362-00
7	Anchor Pin Retainer	046-179-00
*8	Brake Spider Assembly	—
9	Spring Brake 20-24 w/Hdwe - Opt.	A09694634
10	Spring Brake 24-24 w/Hdwe 16K - Opt.	A09695052
11	Air Chamber No. 20 w/Hdwe	A09694673
12	Air Chamber No. 24 w/Hdwe 16K	A09694852
13	5" Auto Slack Adjuster 28-Spline	A09695009
14	Spacer Washer	A09680825
15	Snap Ring	A09680824
16	Cam Bracket Assembly	A09694628
*17	Nut	—
18	Lock Washer	—
19	Cam Bushing Housing	—
20	Grease Fitting 1/4"	A09367132
*21	O-Ring	—

No.	Part Description	Dexter Part No.
*22	Plate Mounting (Flat)	—
*23	Cam Bushing	—
24	Grease Seal	010-052-00
*25	Cam Screw	—
26	Nylon Spider Bushing	A09141907
27	Spacer - Flat D-Washer	A09054716
28	Camshaft 21.25 RH 28 Spline (Std.)	A09694806
28	Camshaft 21.25 LH 28 Spline (Std.)	A09694807
28	Camshaft 23.5 RH 28 Spline	A09694824
28	Camshaft 23.5 LH 28 Spline	A09694825
29	Sensor & Cable for ABS	A09695100
30	Sensor Clip for ABS	A09695101
NS	Nut & Collar Kit for Slack Adjuster (Not Shown)	A09695011
32	Camshaft Snap Ring	A09680820
33	Camshaft Washer	A09054715

*Items not available for purchase separately. Available only on Axle or with Cam Bracket Assembly.

Genuine Dexter axles and components are available nationwide from our plant locations listed below or through our network of distributors. Check our web site for the distributor nearest you.



Dexter - Headquarters

2900 Industrial Parkway East ■ Elkhart, Indiana 46516
Phone: 574-295-7888 ■ Fax: 574-295-8666
www.dexteraxle.com

Dexter - Plt 12
301 West Pearl Street
Fremont, Indiana 46737
Phone: 260-495-5100
Fax: 260-495-1701

Dexter - Plt 13
500 South 7th Street
Albion, Indiana 46701
Phone: 260-636-2195
Fax: 260-636-3030

Dexter - Plt 15
500 Southeast 27th Street
El Reno, Oklahoma 73036
Phone: 405-262-6700
Fax: 405-262-9089

Dexter - Plt 21
199 Perimeter Road
Monticello, Georgia 31064
Phone: 706-468-6495
Fax: 706-468-2966

Ventline - Plt 39
902 South Division Street
Bristol, Indiana 46507
Phone: 574-848-4491
Fax: 574-848-4825
www.ventline.com

Dexter Door - Plt 39
902 South Division Street
Bristol, Indiana 46507
Phone: 574-848-4491
Fax: 574-848-4825
www.dexterdoor.com

Dexter - Plt 61
21611 Protecta Drive
Elkhart, Indiana 46516
Phone: 574-294-6651
Fax: 574-295-6626

Dexter - Plt 62
301 North Kennedy Street
Shawnee, Oklahoma 74801
Phone: 405-273-9315
Fax: 405-273-1054

UFP - Plt 24
135 Sunshine Lane
San Marcos, California 92069
Phone: 760-744-1610
Fax: 760-744-1616

UFP/BrakeRite - Plt 25
1041 Baxter Lane
Winchester, Tennessee 37398
Phone: 931-967-5101
Fax: 931-967-1828

NO PART OF THIS CATALOG MAY BE REPRODUCED WITHOUT DEXTER'S PERMISSION.
ALL PART NUMBERS, DIMENSIONS AND SPECIFICATIONS IN THIS CATALOG ARE SUBJECT
TO CHANGE WITHOUT NOTICE.



DEXTER

www.dexteraxle.com

2900 Industrial Parkway East ■ Elkhart, IN 46516
Phone: 574-295-7888 ■ Fax: 574-295-8666