

# 150W LED POST TOP LIGHTING



## Features

- Lumileds LED, high luminous efficiency and long working life.
- High efficiency LED Driver, the wide range input voltage AC120-277V.
- Die Cast aluminium cooling design, high quality and better cooling for LED  $T_j < 85^\circ\text{C}$ .
- Excellent Optics design, greatly improve the light utilization and evenness.
- Photocell and Motion Sensor Control Available (Optional).

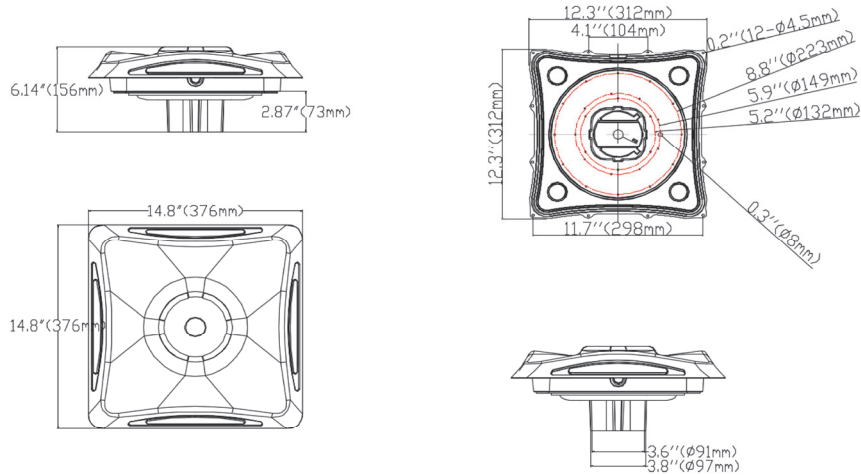
## Product Applications and Patent

- WSD LED INC Post Top Lighting series can be widely used for indoor or outdoor lighting (Wet location) Excellent for Lawns, Courtyards, Roadways and many other applications.
- CHINA PATENT NO.: 201830757982.8.
- U.S PATENTS PENDING.



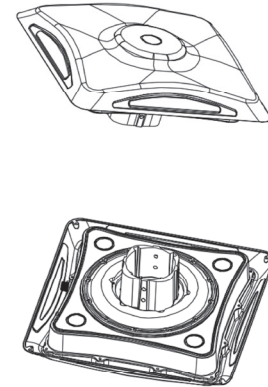
## Specifications

Unit : inch(mm)



### Structure Features

- Shell materials: Aluminum & PC.
- Finish: Dark Bronze/White/Black
- Net weight : 4.48Kg (9.8 lbs)
- Product Size: 376mmX376mmX156mm
- Carton Size: 435mmX435mmX205mm

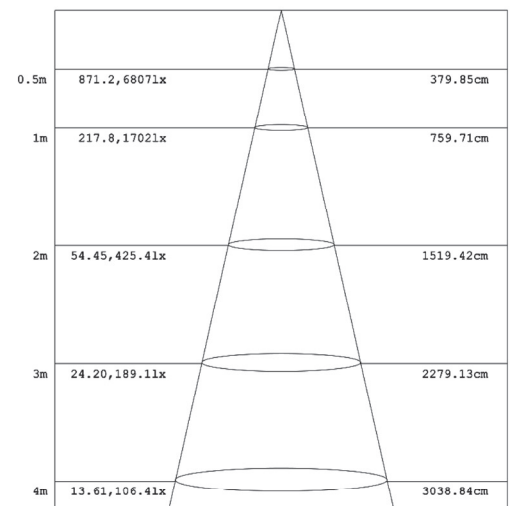
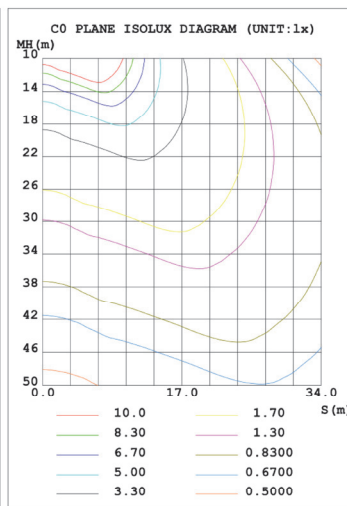
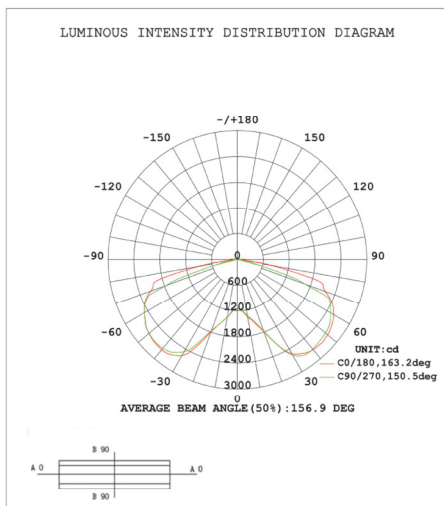


## Technical Parameters

### WSD-PT15W27-XXK-Z[D,W,B,S]-Y[blank or P]-E[blank or M]

Power	150W	Lighting Angle	Type V
Input Voltage	AC120-277V	LED Brightness Decay	<5%/6000 hrs
PF	>0.95	Working Life	>50000 hrs
Driver Efficiency	>90%	Working Temperature	-30 - +40°C
Luminous Flux	19800 Lm	Storage Temperature	-40 - +80°C
Color Temperature	4000K/5000K	Protection Level	Wet Location/IP66
CRI	Ra>70	Cable	Input Connect, 0.3m
EPA	1.8 ft <sup>2</sup>	Eff	>130 lm/w

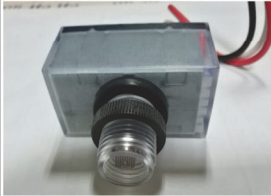
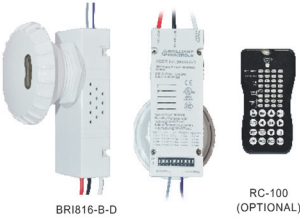
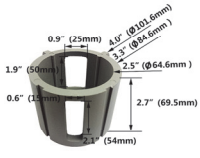
## Photometry



### Example: WSD-PT15W27-XXK-Z[D,W,B,S]-Y[blank or P]-E[blank or M]

WSD	PT	15W	27	XXK	Z	Y	E
Company	Product	Power	Voltage	Color Temp	Finish	Control	Control
	PT	15W(150W)	27	40K(4000K)	D (Dark Bronze)	P	M
WSD LED INC	POST TOP		AC120-277V	50K(5000K)±500K W (White)	B (Black)	Photocell	Motion sensor
					S (Silvery)		

## PHOTOCELL & MOTION SENSORS

	<p><b>Photocell</b> No. JL-413C Rated Voltage: 120-277V The photoelectric switch JL-413 is applicable to control the street lighting, passage lighting and doorway lighting automatically in accordance with the ambient lighting level. This product is designed with electronic circuits. Its quicker response with time delay of 3-10 seconds offers easy-to-test feature. Especially, model JL-413C provides a wide voltage range for customer applications under most power supplies.</p>	 <p>BRI816-B-D RC-100 (OPTIONAL)</p>	<p><b>Motion Sensor</b> No. BRI816-B-D Finish: White The BRI816-B-D mounts in an outdoor lighting fixture and provides multi-level control based on motion and/or daylight contribution. It controls 0-10 VDC LED drivers or dimming ballasts, and is rated for wet and cold locations.</p>
	<p><b>Round Post Top Adaptor</b> No. WSD-TADP25-S Finish: Silvery The 2.5 inch adaptor is mainly used on the 2.5 inch round light pole. This adaptor is an optional accessory, which mainly depends on the actual size of the light pole. The 2.5 inch adaptor is needed when using the 2.5 inch light pole, but it is not directly installed when using the 3 inch light pole.</p>		

## Our products

1

### LEDs

Top tier LEDs are driven well below recommended safety limits, on both drive current and junction temperature, to keep components cool – maintaining the life of the LED – allowing for a compact and efficient heat sink design.

2

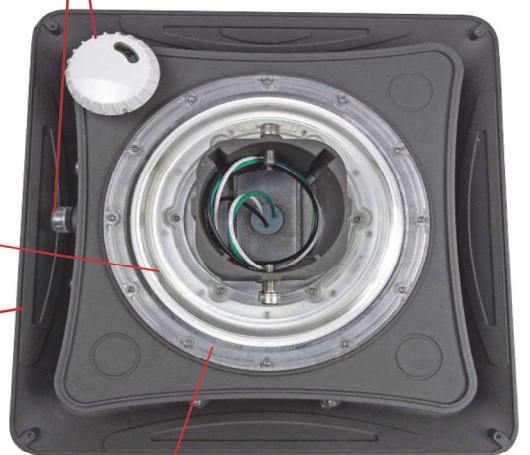
### Control

Photocell and Motion Sensor Control Available (Sensor can control either option independently or combined).

3

### Heat Sink

High performance, die cast heat sink transfers heat from the light engine to the environment, via large cooling fins, drawing heat away from the fixture, and extending the lifespan of the LEDs.



4

### Optical lens

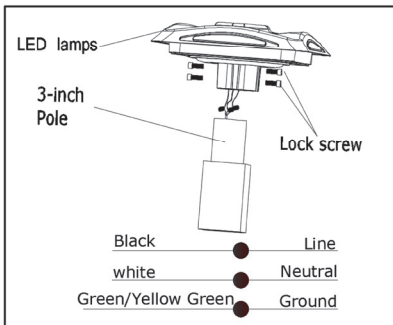
The LED Post Top Lighting optical lens USES high-quality PC material to focus the light emitted by the lamp.

## Installation guide

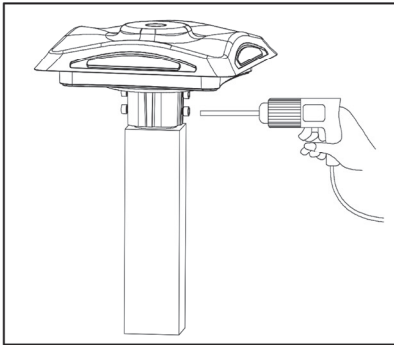
### 1. Unpacking

Thoroughly inspect the fixture for freight damage. Freight damage should be reported to the delivery carrier.

### 2. Installation

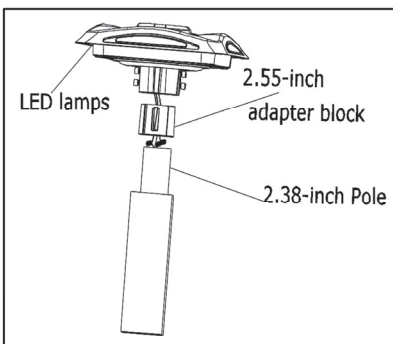


- 1) Connect the AC wire of the lamp as shown in the picture, then insert the lamp into the 3-Inch pole.



- 2) Lock the screws on both sides of the lamp, fix the lamp to the pole.

### 3. Installation



- 3) When the light pole is 2.38 inches, a 2.5 inch adapter shall be installed on the fixture. Assemble as shown in the picture and tighten the bolts on both sides of the lamp

### 4. Checking

- 1) Do all of the wires connect as described in the above pictures?
- 2) Is the ground lead installed properly?
- 3) Does the photo cell function?