

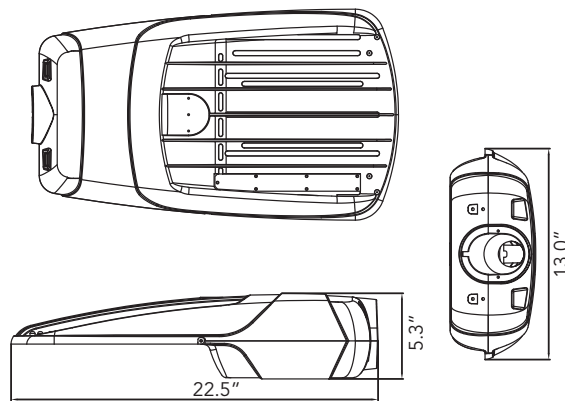
L400 Series
L403/L404 Models
LED Street and Area Light

The L400 Series captures the benefits of the latest in LED technology into a high performance, high efficacy, long-life luminaire. The outstanding photometric performance results in sites with excellent uniformity, greater pole spacing and lower power density. The L400 Series is the better alternative for traditional street and area lighting with quick payback and improved performance.

Applications: Roadway, parking lots, walkways and general area spaces.

Warranty:

- Ten year limited warranty.



EPA: 0.8 ft²
(0.08m²)
Weight: 14.5 lbs
(6.5 kgs)

Ordering Information							
Model	Options	Power	Color	Distribution	Control Options	Finish	Input Voltage
L403	L: No Photocontrol*	120 W	30K: 3000 K 40K: 4000 K*	T2: Type 2 T3: Type 3 T4: Type 4 T5: Type 5	10: 0-10V Dimming*	GR: Grey* WH: White BL: Black BR: Brown	M: 120-277VAC* H: 347-480VAC
	LC: With Long Life Photocontrol	180 W					
L404		150 W					
		240 W					

*Standard Configuration

Standard Features:

- Standard 7-Pin Photocontrol Receptacle (per ANSI C136.41)
- Stand-alone 10KV/10KA Surge Suppression Device (consult factory for 20KV / 20KA option)
- Terminal block accepts 14-6 AWG conductors (Line, Neutral, Ground)
- Four Bolt Mounting accommodates 1 ¼" NPS to 2" NPS horizontal tenon (pre-configured for 2" NPS)
- Integral Tilt-adjustment Steps ±5°
- Bird-guard
- Tool-Less Entry
- Input Voltage: 120-277V or 347-480V, 50/60Hz
- Power Factor : > 0.9 at full load and Total Harmonic Distortion: < 20% at full load
- Ambient Operating Temperatures -40°C to +50°C



L400 Series

L403/L404 Models
LED Street and Area Light

Performance Data

Lumen Output:

Lumen values are from photometric tests performed in accordance with IESNA LM-79-08. Data are considered to be representative of the configurations shown, within the tolerances allowed by Lighting Facts. Actual performance may differ as a result of end user environment and application. Actual wattage may differ by +/- 10%. Contact factory for performance data on any configurations not shown here.

Model	LEDs	LED Current	System Watts	Dist Type	30K (3000K, 70CRI)				40K (4000K, 70CRI)					
					Lumens	B	U	G	LPW	Lumens	B	U	G	LPW
L403L	48	0.7A	120W	T2	11732				110	13168	3	0	3	110
				T3	11805				110	13251	3	0	3	110
				T5	12248				115	13748	3	0	0	115
		1.0A	180W	T2	16520				103	18542	3	0	3	103
				T3	16027				100	17989	3	0	3	100
				T5	16475				103	18492	4	0	1	103
L404L	64	0.7A	150W	T2	15131				113	16984	3	0	3	113
				T3	15535				116	17437	3	0	3	116
				T5	15278				114	17148	4	0	1	114
		1.0A	240W	T2	21717				102	24376	3	0	3	102
				T3	22127				103	24837	3	0	3	103
				T5	21803				102	24473	5	0	1	102

Electrical Data:

Model	LEDs	LED Drive Current	System Watts	Operating Current (A)					
				120V	208V	240V	277V	347V	480V
L403L	48	700mA	120W	1.00	0.59	0.53	0.47	0.35	0.27
		1000mA	180W	1.50	0.89	0.79	0.71	0.53	0.41
L404L	64	700mA	150W	1.25	0.74	0.66	0.59	0.44	0.34
		1000mA	240W	2.00	1.19	1.05	0.94	0.71	0.55

Lumen Ambient Temperature (LAT) Multipliers:

Ambient	Lumen Multiplier
0°C	1.02
10°C	1.01
20°C	1.00
25°C	1.00
30°C	1.00
40°C	0.99

Certifications:

- cULus Listed
- Suitable for wet locations
- Certified to ANSI C136.31-2001, 3G vibration standards.
- Surge suppression protection tested in accordance with IEEE/ANSI C62.41.2
- Precision molded optical assembly tested to IP65
- Meets FCC Part 15 standards for conducted and radiated emissions
- Luminaire finish tested to withstand 3,000 hours (per ASTM Standard B 117)
- RoHS compliant. Consult factory for additional details

Luminaire Lumen Maintenance Factors (LMF)

Data references the extrapolated performance projections for the platforms noted in a25°C ambient, based on 10,000 hours of LED testing (tested per IESNA LM-80-08 and projected per IESNA TM-21-11).

To calculate LLF, use the lumen maintenance factor that corresponds to the desired number of operating hours below.

For other lumen maintenance values, contact factory.

Operating Hours	0	25000	50000	75000	100000
Lumen Maintenance Factor	L403L 48 LEDs 0.7A				
	1	0.92	0.85	0.8	0.75
Lumen Maintenance Factor	L404L 64 LEDs 1.0A				
	1	0.91	0.85	0.79	0.73