

LED DLC6S-2000ej

Fixture Class: 6" Slim Fixed



Product Description

LED DLC6S-2000ej, delivering unbeatable brightness, valuable energy savings, and long-lasting performance, this LED downlight is the perfect choice for recessed lighting. Energy Star Certified and JA8 Compliant, this ultra-slim downlight uses minimal watts to output maximum lumens in Soft White (3000K) color temperature. IC-rated, dimmable, and with 90+ CRI, this 6-inch LED downlight guarantees unbeatable performance for 50,000 hours. See Euri Lighting DLC6S-2040ej for vibrant Bright White (4000K).



Estimated Energy Cost: \$1.44 per year

*Note: Design, features and specifications subject to change without notice. Some features may not be available on all models. Please visit www.eurilighting.com or call 1-310-787-1100 for more information.

Specifications

Input Power	Input Voltage	Lumen Output	Beam Angle	Center Beam	CCT
12 W	120V/60Hz	900 lm	120°	N/A	3000 K
CRI	Luminous Efficacy	Power Factor	Input Current	Base	Lamp Lifespan
90	75 lm/W	0.9	0.1 A	Junction Box	50,000 Hrs.

Product Features



Dimmable



Abutted & Covered

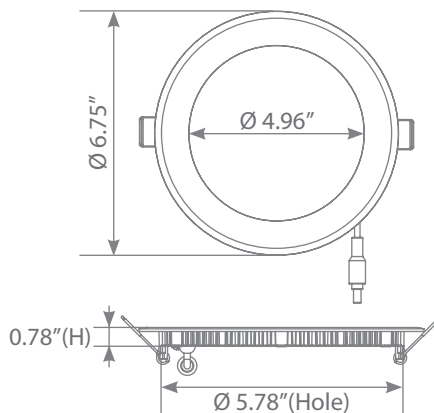


No Housing Required

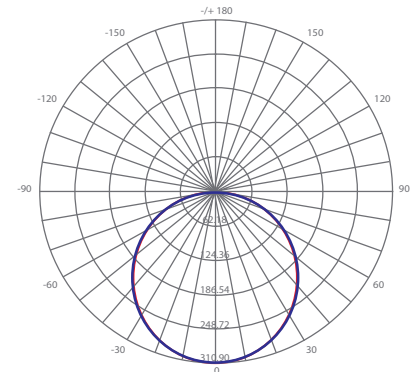


Damp Rated

Product Dimensions



Product Photometric Data



LED DLC6S-2040ej

Fixture Class: 6" Slim Fixed

4000K
CCT



90+
CRI
True COLOR

Product Description

LED DLC6S-2040ej, delivering unbeatable brightness, valuable energy savings, and long-lasting performance, this LED downlight is the perfect choice for recessed lighting. Energy Star Certified and JA8 Compliant, this ultra-slim downlight uses minimal watts to output maximum lumens in Bright White (4000K) color temperature. IC-rated, dimmable, and with 90+ CRI, this 6-inch LED downlight guarantees unbeatable performance for 50,000 hours. See Euri Lighting DLC6S-2000ej for pleasing Soft White (3000K).



Estimated Energy Cost: \$1.44 per year

*Note: Design, features and specifications subject to change without notice. Some features may not be available on all models. Please visit www.eurilighting.com or call 1-310-787-1100 for more information.

Specifications

Input Power	Input Voltage	Lumen Output	Beam Angle	Center Beam	CCT
12 W	120V/60Hz	900 lm	120°	N/A	4000 K
CRI	Luminous Efficacy	Power Factor	Input Current	Base	Lamp Lifespan
90	75 lm/W	0.9	0.1 A	Junction Box	50,000 Hrs.

Product Features



Dimmable



Abutted & Covered

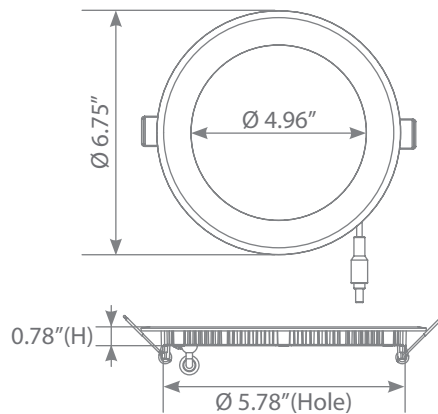


No Housing Required



Damp Rated

Product Dimensions



Product Photometric Data

