



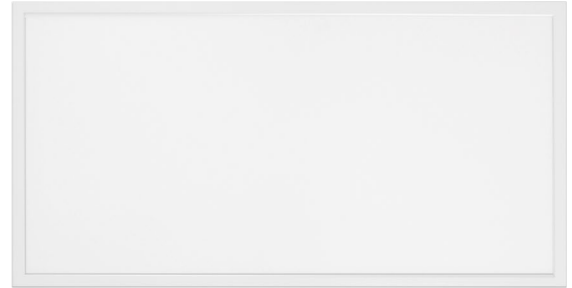
# LED EPN24-2040sem-2



Class: LED Panel 2 ft. x 4 ft. Class

## Product Description

**LED EPN24-2040sem-2** is thoughtfully designed for superior illumination, ultimate efficiency, and easy installation. This 2x4 LED panel offers an integrated LED driver and backup battery for a total of 90 minutes of emergency backup illumination. The backup battery is both self-testing and easily replaceable. Double-sided welding provides a seamless, polished frame and PMMA material guarantees perfect light output without the risk of yellowing. Available in flicker-free Bright White (4000K), this fixture LED panel delivers 5000 lumens with just 50 watts. Look for EPN24-2050sem-2 for Cool White (5000K) or EPN22-2040sem-2 for 2x2 size.



90 min. Emergency battery backup



**Estimated Energy Cost:** \$4.81 per year

Available only as a twin-pack.  
(EPN24-2040sem-2 contains 2 LED Panels)

\*Note: Design, features and specifications subject to change without notice. Some features may not be available on all models. For more information please visit: [www.eurilighting.com](http://www.eurilighting.com) or call 1-310-787-1100

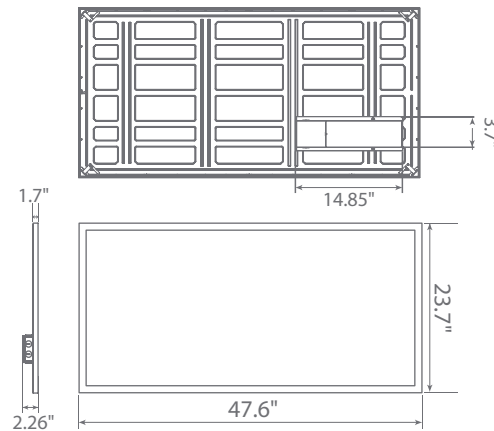
## Specifications

Input Power	Input Voltage	Lumen Output	Beam Angle	Center Beam	CCT
50 W	AC100-277V	5000 lm	120°	N/A	4000 K
CRI	Luminous Efficacy	Power Factor	Input Current	Base/Cap	Lamp Lifespan
80	100 lm/W	0.95	0.7 A	N/A	50,000 Hrs.

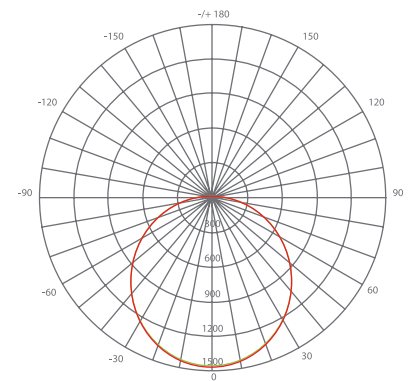
### Product Features

- Dimmable
- Flicker Free Driver
- Easy and fast installation
- Damp Rated
- Emergency battery backup

### Product Dimensions



### Product Photometric Data



**Euri Lighting | A Division of ITRONIX Inc.**

20900 Normandie Avenue Bldg. B, Torrance, CA 90502 | Tel: 310.787.1100 | Fax: 310.787.1166 | [www.eurilighting.com](http://www.eurilighting.com)  
©2019 Euri Lighting. All Rights Reserved



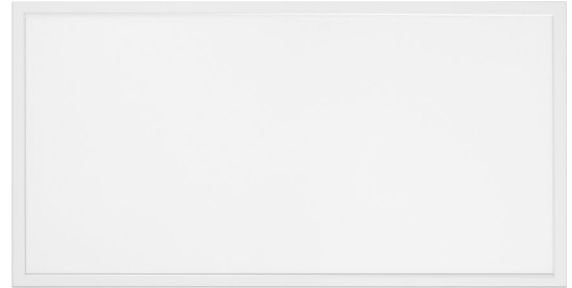
# LED EPN24-2050sem-2



Class: LED Panel 2 ft. x 4 ft. Class

## Product Description

**LED EPN24-2050sem-2** is thoughtfully designed for superior illumination, ultimate efficiency, and easy installation. This 2x4 LED panel offers an integrated LED driver and backup battery for a total of 90 minutes of emergency backup illumination. The backup battery is both self-testing and easily replaceable. Double-sided welding provides a seamless, polished frame and PMMA material guarantees perfect light output without the risk of yellowing. Available in flicker-free Cool White (5000K), this fixture LED panel delivers 5000 lumens with just 50 watts. Look for EPN24-2040sem-2 for Bright White (4000K) or EPN22-2050sem-2 for 2x2 size.



90 min. Emergency battery backup



**Estimated Energy Cost:** \$4.81 per year

Available only as a twin-pack.  
(EPN24-2050Sem-2 contains 2 LED Panels.)

\*Note: Design, features and specifications subject to change without notice. Some features may not be available on all models. For more information please visit: [www.eurilighting.com](http://www.eurilighting.com) or call 1-310-787-1100

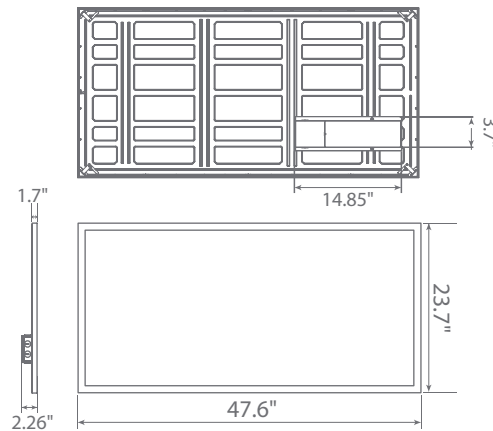
## Specifications

Input Power	Input Voltage	Lumen Output	Beam Angle	Center Beam	CCT
50 W	AC100-277V	5000 lm	120°	N/A	5000 K
CRI	Luminous Efficacy	Power Factor	Input Current	Base/Cap	Lamp Lifespan
80	100 lm/W	0.95	0.7 A	N/A	50,000 Hrs.

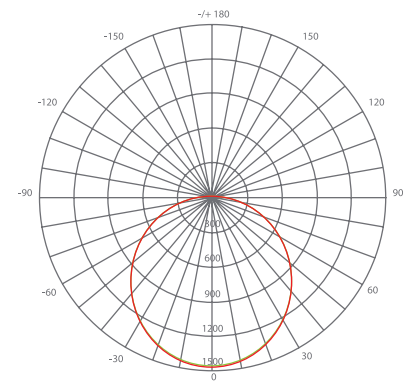
### Product Features

- Dimmable
- Flicker Free Driver
- Easy and fast installation
- Damp Rated
- Emergency battery backup

### Product Dimensions



### Product Photometric Data



**Euri Lighting | A Division of ITRONIX Inc.**

20900 Normandie Avenue Bldg. B, Torrance, CA 90502 | Tel: 310.787.1100 | Fax: 310.787.1166 | [www.eurilighting.com](http://www.eurilighting.com)  
©2019 Euri Lighting. All Rights Reserved