



kariko

16 Westside Drive  
Laverton North, VIC 3026  
+61 3 9314 6666  
[www.kariko.com.au](http://www.kariko.com.au)

## YARRA TIMBER VANITY

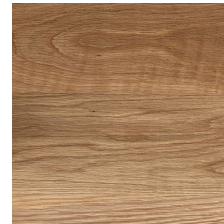




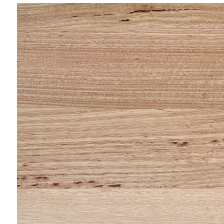
Each vanity is finished in a hard wax oil made from a blend of natural oils and waxes. All cabinets feature push to open premium Blum Legrabox with soft closing drawer runners and Blum soft close hinges where applicable. All internal carcasses are constructed from black melamine making cabinets easy to clean.

An optional white Corian benchtop in 12mm or 20mm thick is also available

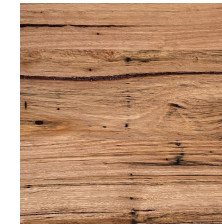
**MATERIALS AND FINISHES**



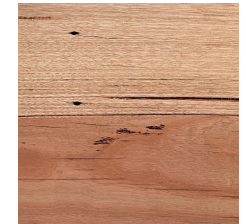
American Oak  
Clear



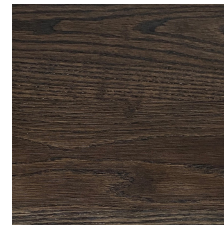
Tasmanian Oak  
Clear



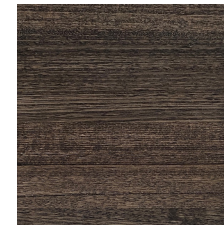
Messmate  
Clear



Recycled Messmate  
Clear



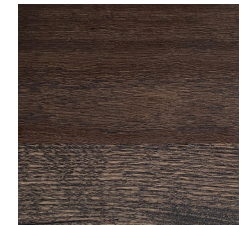
American Oak  
Coal



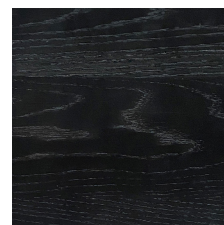
Tasmanian Oak  
Coal



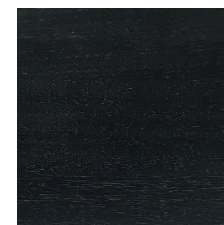
Messmate  
Coal



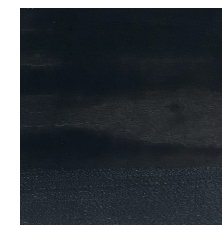
Recycled Messmate  
Coal



American Oak  
Black



Tasmanian Oak  
Black



Messmate  
Black



Recycled Messmate  
Black

# YARRA TIMBER VANITY

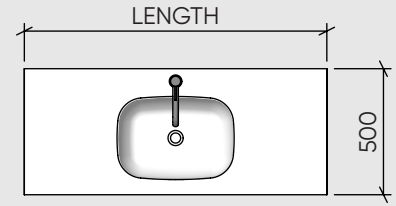
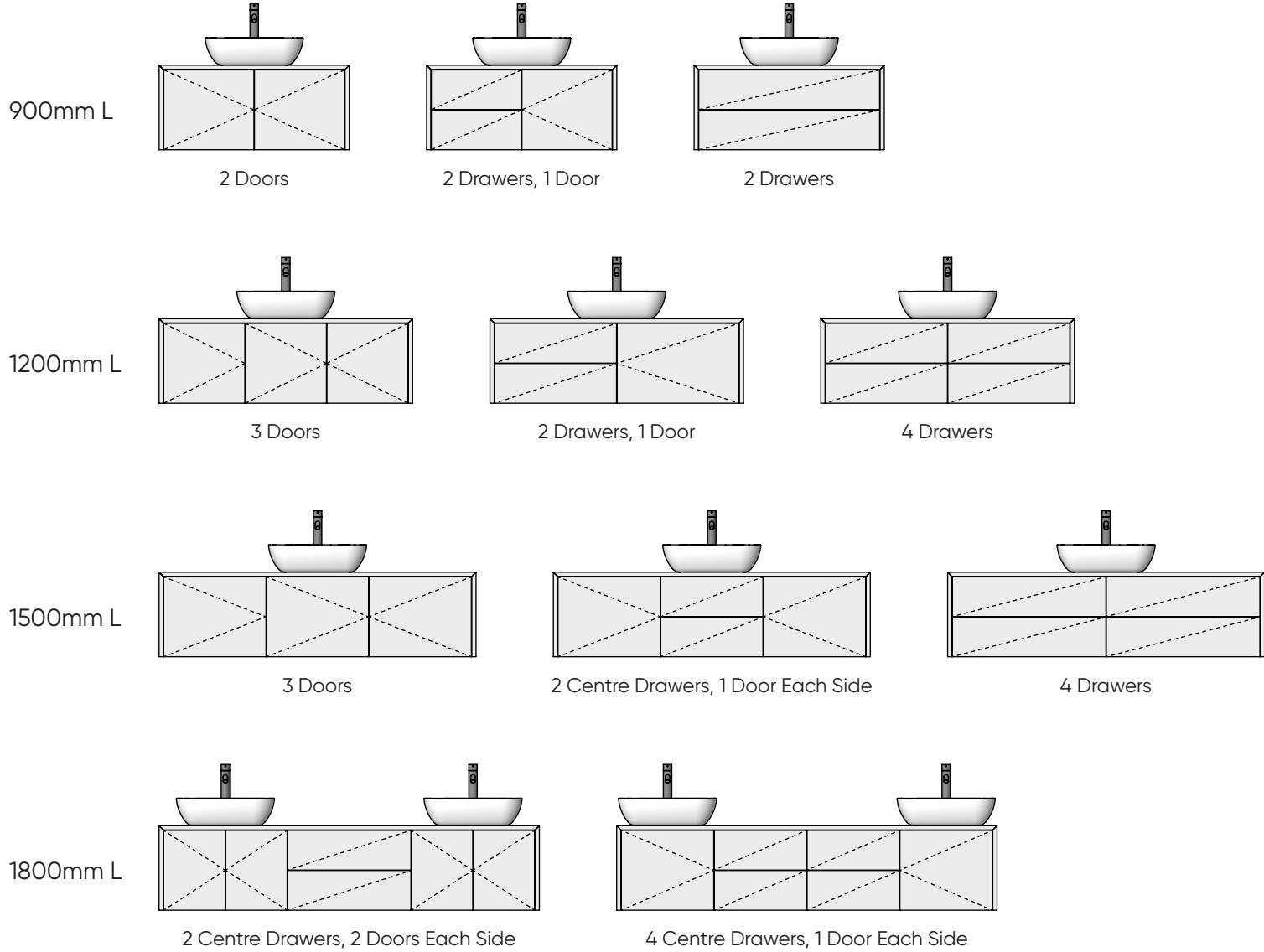
TECHNICAL SPECIFICATIONS

Size: LENGTH x 500D x 400H

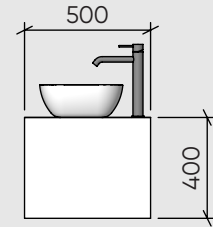
Available in 900mm, 1200mm, 1500mm, 1800mm

Features 20mm solid timber top, sides and fronts

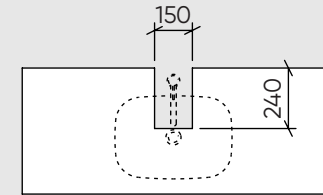
12mm or 20mm Corian top is also available



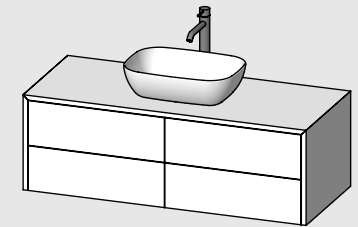
PLAN



SIDE ELEVATION



PLUMBING



3D VIEW

Location of the basin bowl is customisable to suit your requirements, with considerations made for plumbing and waste pipe outlet. Basins and tapware sold separately.

**ALL PRODUCTS MUST BE OPENED AND INSPECTED UPON DELIVERY, AND KARIKOTO BE NOTIFIED OF ANY MANUFACTURING FAULTS WITHIN 24 HOURS OF DELIVERY.**

At Kariko we use only the highest quality of furniture grade timbers.

Combining traditional craftsmanship and modern technology, we aim to make furniture that will last a lifetime when used as intended. Proper handling and care for each product is essential to guarantee longevity.

Natural environmental factors will affect the condition of furniture which can lead to timber splitting, shrinkage, expansion and timber finish discolouration. If this occurs, please refer to our warranty.

### **CARING FOR TIMBER FURNITURE**

At Kariko, we design and build products to last, and with appropriate care each piece will stand the test of time.

To avoid natural environmental damage to occur including discolouration of timber, we always recommend keeping furniture out of direct sunlight for long periods of time.

### **OIL AND WAX FINISH**

We use a blend of natural oils and waxes that offer exceptional durability and resistance for internal timber surfaces including furniture, benchtops and areas subjected to a high degree of wear with quick drying natural silk water repellent, tread-fast finish that will not peel or flake.

Hard wax oil is easy to maintain and as a natural replenishable product it is easy to rejuvenate timber without sanding when required.

The oil protects the timber by penetrating deep within the open pores and the wax creates an elastic, microporous surface which acts as another protective barrier from moisture and abrasion.

It is recommended that no liquids are left sitting and immediately be wiped down with a damp cloth as this could cause timber to split and swell over time.

Regularly wipe down the surface with a dry cloth to remove any dust or dirt particles. If stains or finish fading does occur we suggest you get in touch with the team at Kariko to re-finish the surface or gain assistance in doing so.

## INSTALLATION

Wall hung furniture & basins require fixing to a support beam fitted between the studs to give a solid wall backing to attach the vanity to. If necessary, fix additional support noggins at desired height for cabinet and basin fixing prior to sheeting the wall. Ensure total width of support noggin exceeds vanity width.

This product must be installed by a licensed tradesperson.

Our vanities do not come with pre-cut holes to stone or timber for your bench mixers and basins. These are to be cut by the purchaser at their discretion.

1. Carefully remove cabinet drawer(s) and/or door(s) before installation to avoid damage. If top has not been fixed to vanity (with Corian), remove it from vanity.
2. Using a hole saw, drill holes for water supply pipes, wastes etc.
3. Carefully move cabinet into place. Pack vanity to required height ensuring vanity top is level from side to side and front to back.

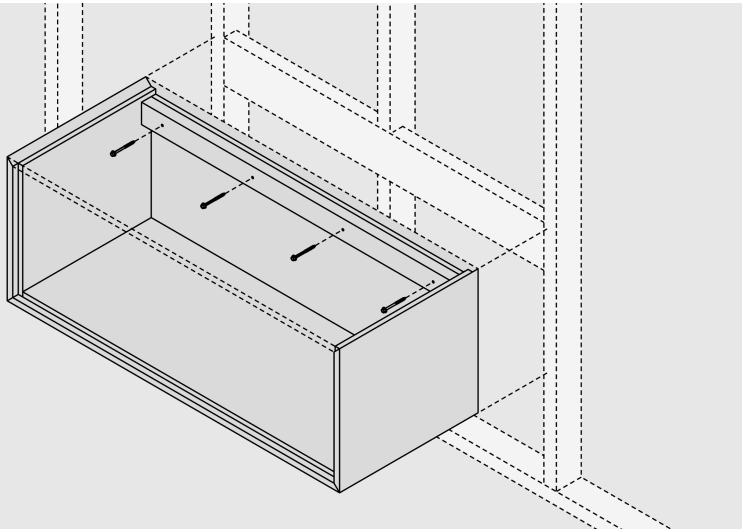


Figure 1: Wall fixing

4. Once the vanity is level, fasten it to the wall using Hex head screws (see Figure 1), supplied by Kariko. It is the installer's responsibility to determine what extra fixing materials are needed. Fixing point is located at top internally either behind drawers or doors.
5. Replace door(s) and/or drawer(s) and adjust hinges if necessary. If Corian top was removed, replace this on the unit ensuring the front and ends of the top line up with the front and end of unit. Fix top of vanity with silicone.
6. The unit must be sealed (along the back edge of top and down the sides) against the wall with bathroom quality silicone.

## IMPORTANT NOTES

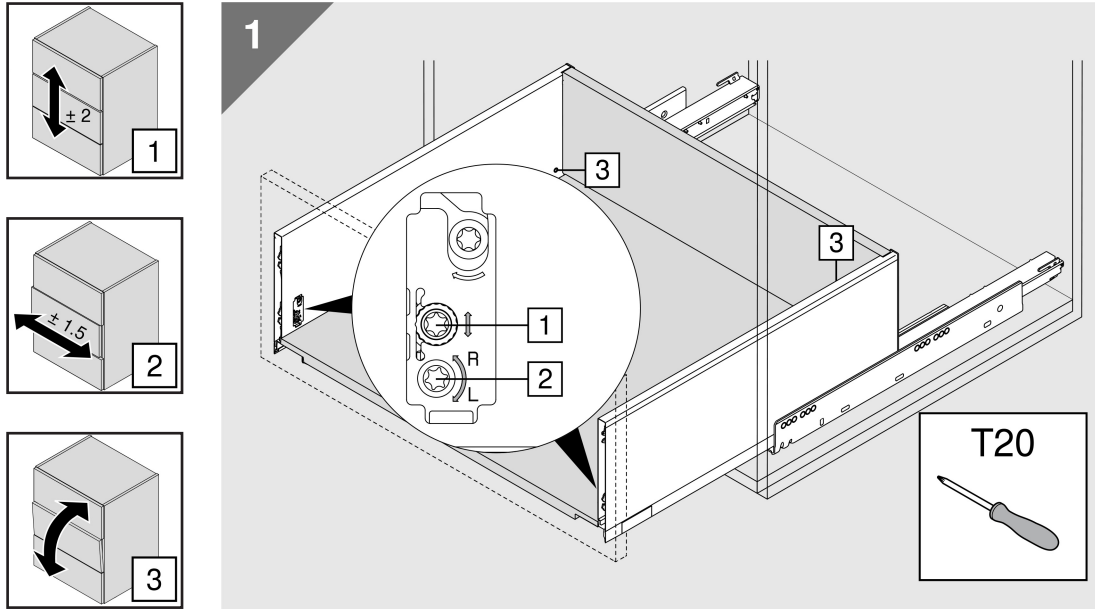
Care must be taken to dry spillages or leakage of water that may gain access to cabinetry. Accurate sealing of the unit is vital for proper maintenance of the product and ensuring longevity.

Under no circumstances should vanities or shaving cabinets be tiled into the wall. Kariko products must be fitted to finished/completed wall coverings e.g., tile, masonry or other cladding method deemed acceptable, as per the building code (of Australia) 2013. The Kariko warranty does not cover any product that has been tiled 'into' a wall. i.e., cutting or fixing a vanity/ shaving cabinet to a wall and tiling around it.

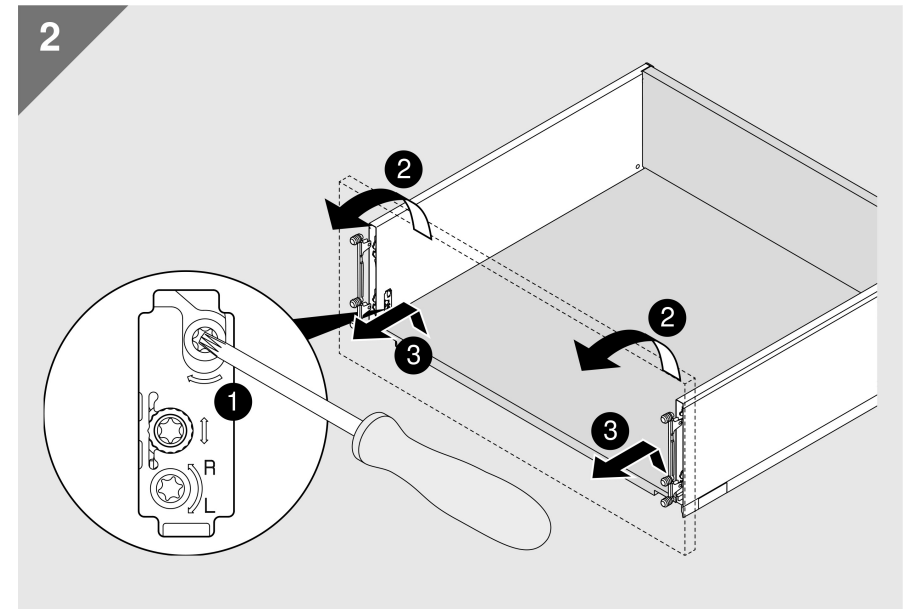
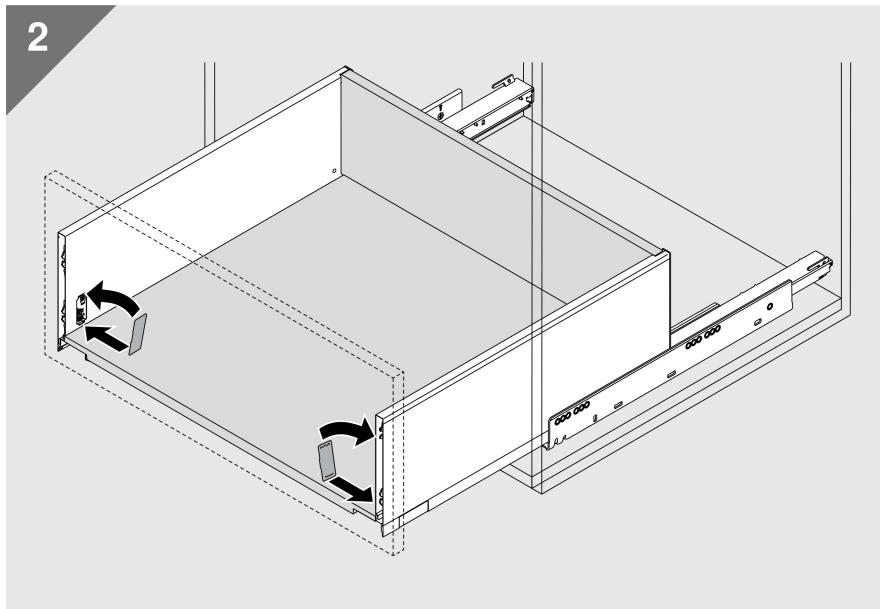
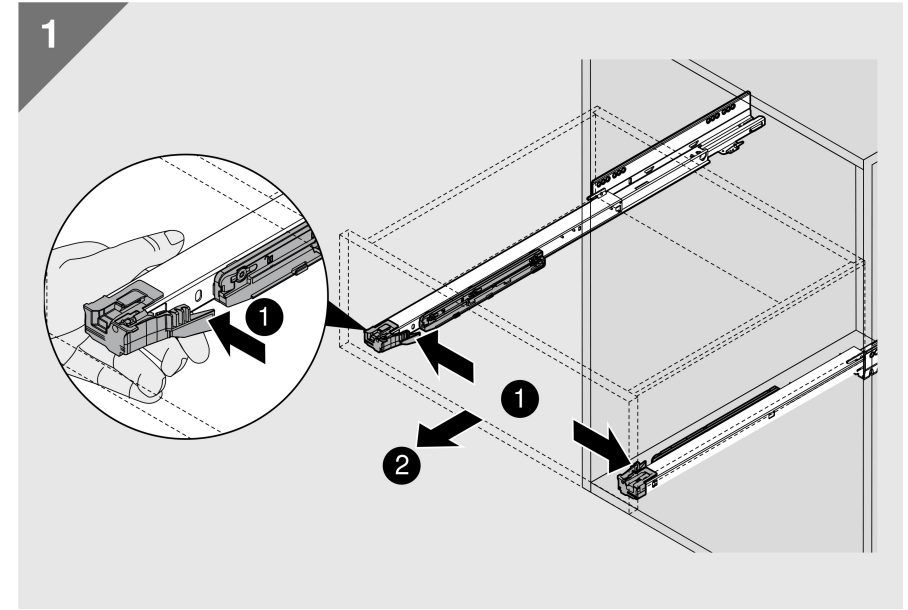
It is the responsibility of the installer to adjust the door(s) and/or drawer(s) after installation.

Vanities must be screwed to walls using fixings provided as a minimum.

**PUSH TO OPEN LEGRABOX DRAWER FRONT ADJUSTMENT**



**PUSH TO OPEN LEGRABOX DRAWER FRONT REMOVAL**



## WARRANTY

A 2 year warranty on workmanship applies to all Kariko vanities. Kariko will repair or replace any parts of the product with a manufacturing or structural defect, free of charge. This excludes basins and tapware.

As timber moves over time, Kariko will not warrant natural environmental factors that will affect the condition of furniture such as timber splitting, shrinkage, expansion, cupping or discoloration to the finish. This could be due to direct UV sunlight, regulation in temperatures and humidity. The warranty will not cover failure to provide proper care and maintenance, damage caused by general wear and tear (scratches, etc.) abuse, accidental damage, neglect or misuse, third party material applied to product, unauthorised servicing by a third party immediately renders this warranty null and void.

As no two trees are alike, variation in grain, colour and finish will occur. We cannot accept replacement or refund based on variation in grain, colour or finish.

## TERMS OF WARRANTY

All warranty claims must be sent in writing to Kariko. A detailed report will need to be submitted along with images within 24 hours from the defect occurring. We will determine if the claim is valid and notify of the claim result. If the item needs to be repaired, one of our team will approve the item to be sent back to the manufacturing facility for repair or replacement.

If you would like a Kariko team member to inspect your piece which has been affected by natural environmental conditions, please contact us directly - Fees may apply.

## CARE

At Kariko we deliver quality Australian made timber vanities. Our products are manufactured from solid timber and veneers which means they can display characteristics specific to the type of species used, it knots, grain patterns and scars - these features are expected of natural timber as they are not manufactured product like a laminate. Because of these features and the natural variation in the grain of the timber, product colours may vary. Timber tones may alter over time if in direct sunlight, or in a well-lit room. UV exposure may alter the tone of the finish, depending on timber species and stain (if applicable).

Solid timber is a natural product and is therefore responsive to changes in the environment. Any movement, cracking or bowing in timber as a result of change in humidity, fluctuating temperatures, or exposure to water is not warranted. Some species of timber can split - this is a natural occurrence.

To keep your vanity lasting a lifetime, it starts with care. If spills do occur, always clean up immediately with a dry cloth to ensure the water does not penetrate and weaken the surface finish. Do not leave pot plants directly on the timber surface as additional water can seep onto the timber and tarnish the finish. A damp cloth with no cleaning product should be used to clean and dust your vanity. Always wipe in the direction of the grain, as this will minimise the possibility of small scratches caused by dust particles.

## REPAIRS

Repairs will be dependent on the furniture items finish and the level of repair required. Oiled finishes are much easier to repair on site compared to a lacquered finish due to their ability to be sanded and recoated on site. Depending on the level of repair required, additional charges may apply.