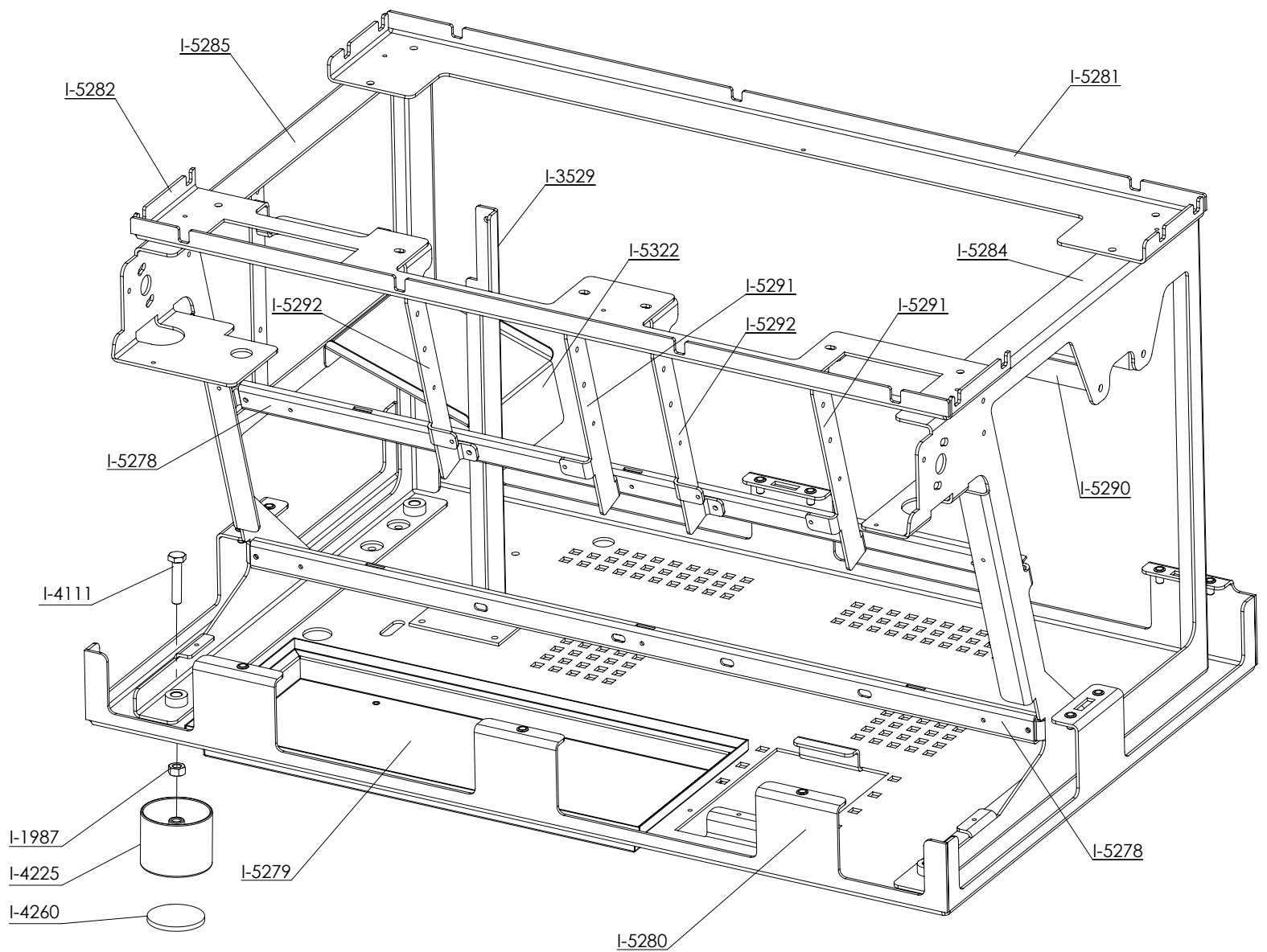
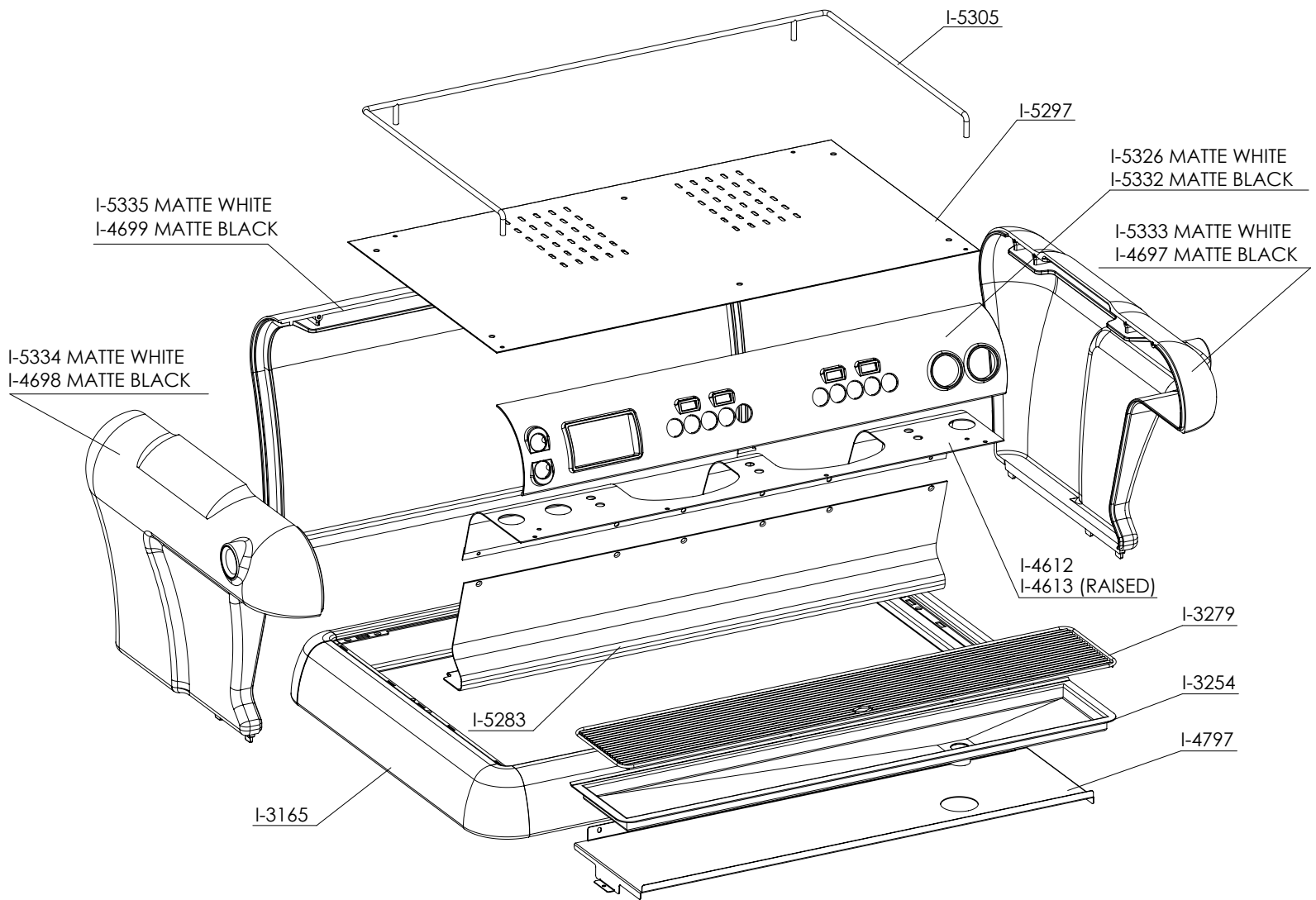




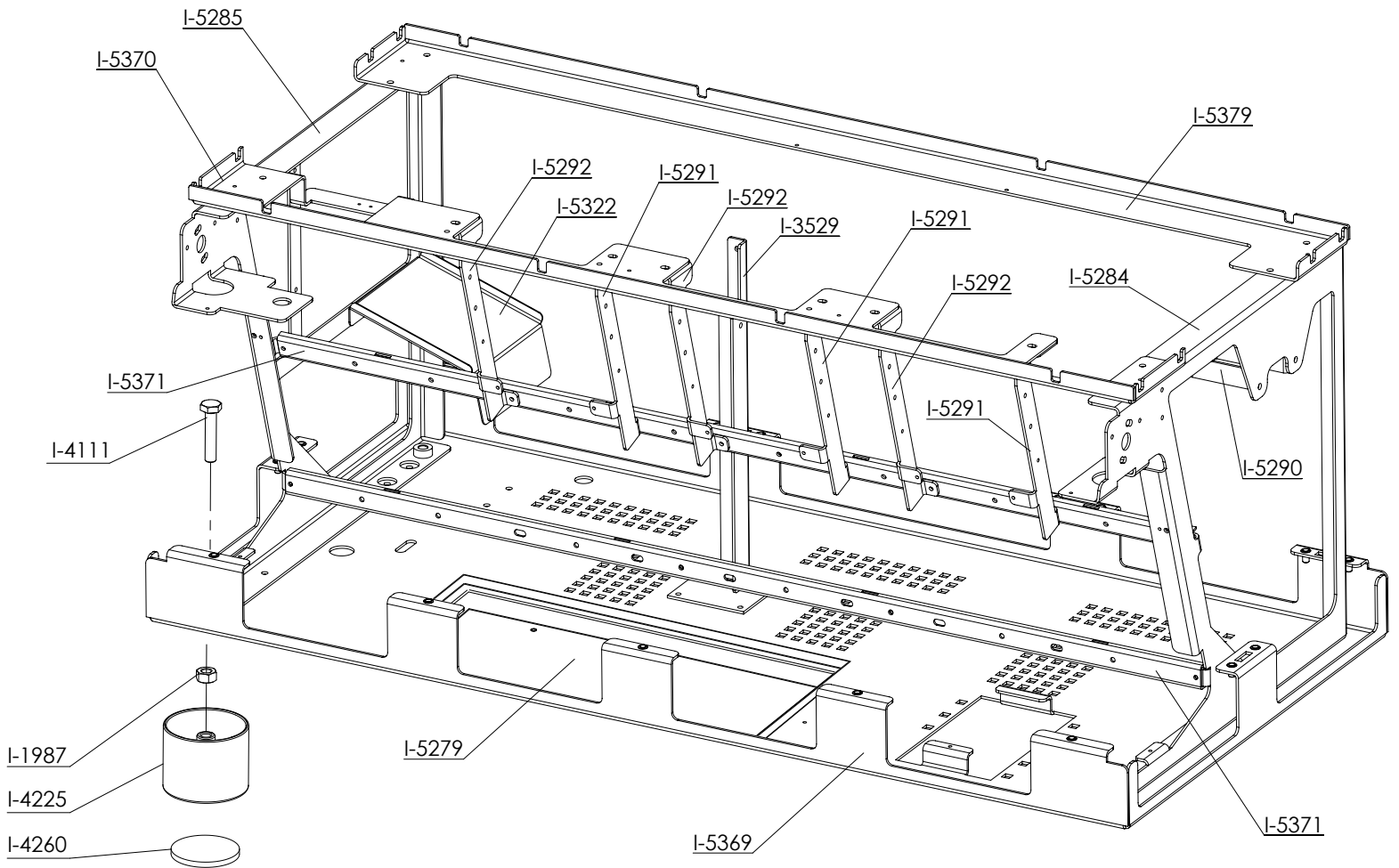
# Big Dream T 2022



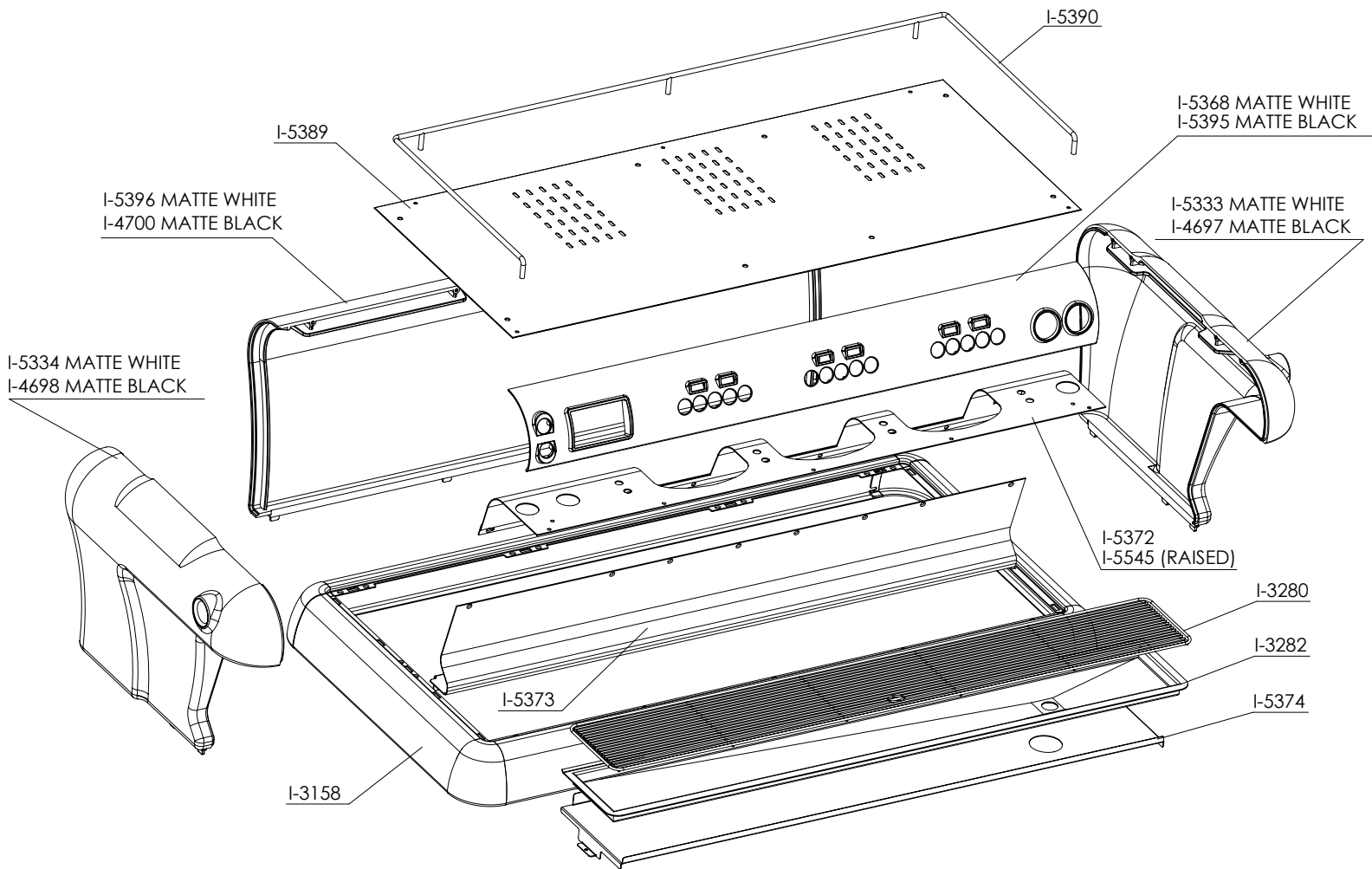
REF.	DESCRIPCIÓN	DESCRIPTION
I.1987	TUERCA SUJ. CAZOLETA M10 INOX	NUT M10 INOX
I.3529	COLUMNA CALDERA BARISTA T	BOILER COLUMN BARISTA T
I.4111	TORNILLO DIN 933 M10X40 INOX.	SCREW DIN 933 M10X40 INOX.
I.4225	PATA BIG DREAM 75X60	FOOT BIG DREAM 75X60
I.4260	BASE GOMA PIE BIG DREAM	RUBBER FOOT BASE BD
I.5278	TRAVESAÑO BDT	CROSS MEMBER BDT 2GR
I.5279	BASE CENTRALITAS BDT	BDT CONTROL UNITS BASE
I.5280	BASE BDT	BASE BDT
I.5281	BASE SUPERIOR TRASERA BDT	TOP COVER BDT
I.5282	BASE SUPERIOR DELANTERA BDT	TOP COVER BIG DREAM 2GR
I.5284	LATERAL DERECHO BDT	RIGHT SIDE BDT
I.5285	LATERAL IZQUIERDO BDT	LEFT SIDE BDT
I.5290	SOPORTE DERECHO CALDERA BDT	SUPPORT DROIT CHAUDIERE BDT
I.5291	SOPORTE GRUPO DERECHO BDT	SUPPORT GROUP DROIT BDT
I.5292	SOPORTE GRUPO IZQUIERDO BDT	LEFT GROUP SUPPORT BDT
I.5322	PROTECCION MOTOR BDT	BDT MOTOR PROTECTION



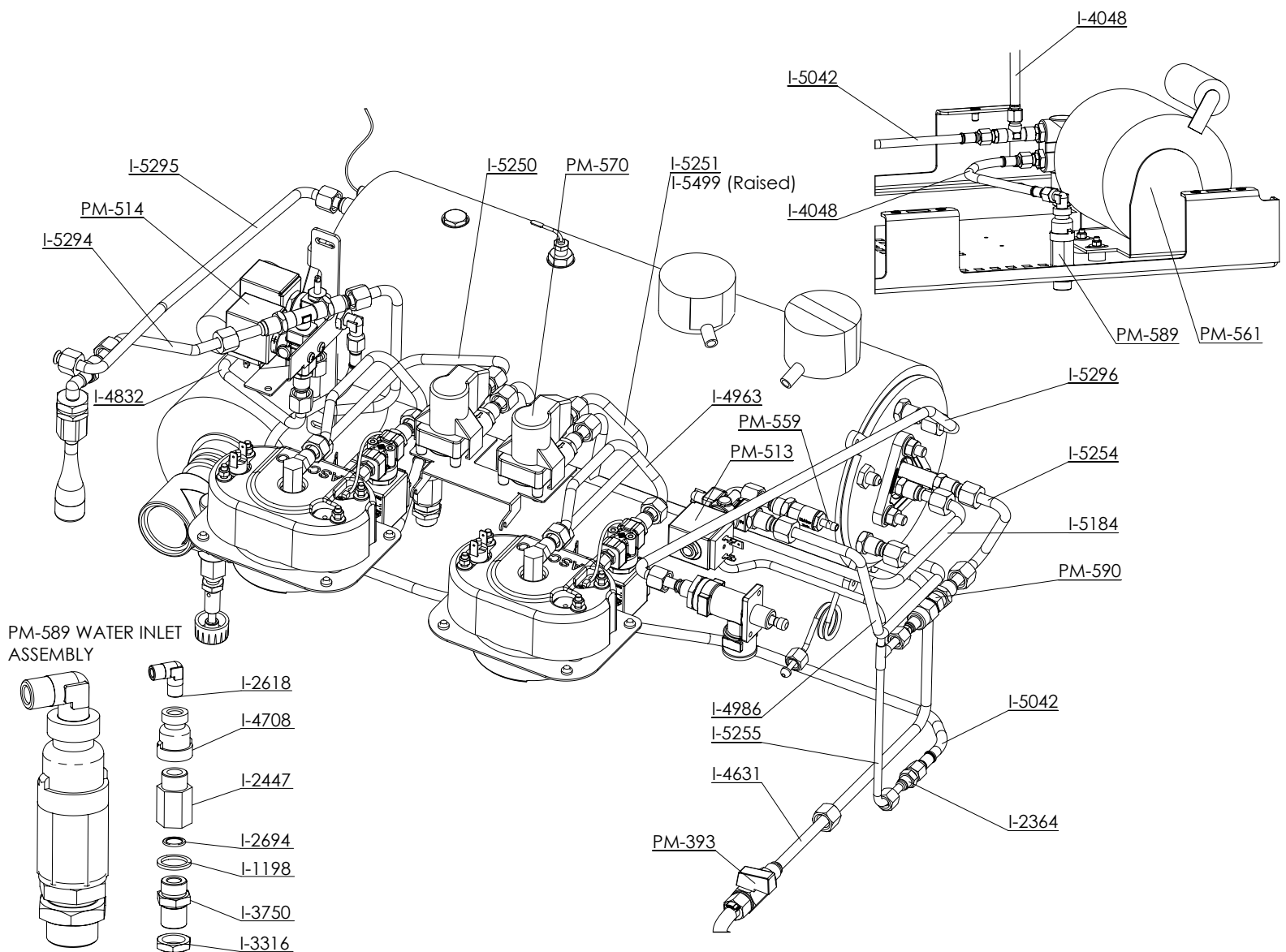
REF.	DESCRIPCIÓN	DESCRIPTION
I.3165	MARCO BASE BIG DREAM 2GR	BASE FRAME BIG DREAM 2GR
I.3254	BANDEJA BIG DREAM 2GR	BIG DREAM 2GR WATER TRAY
I.3279	REJILLA BIG DREAM 2 GRUPOS	GRILL BIG DREAM 2 GROUPS
I.4612	FRONTAL INTERMEDIO SUPERIOR BIG DREAM T 2 GR	UPPER INTERMEDIATE FRONT BIG DREAM T 2 GR
I.4613	FRONTAL INTERMEDIO SUPERIOR BIG DREAM T 2GR RAISED	UPPER INTERMEDIATE FRONT BIG DREAM T 2GR RAISED
I.4697	LATERAL DERECHO BAYDUR NEGRO MATE	RIGHT SIDE MATT BLACK BAYDUR
I.4698	LATERAL IZQUIERDO BAYDUR NEGRO MATE	LEFT SIDE MATT BLACK BAYDUR
I.4699	PANEL TRASERO BAYDUR 2GR NEGRO MATE	REAR PANEL BAYDUR 2GR MATT BLACK
I.4797	CHAPA PROTECCION INTERIOR BDT 2GR	INTERIOR PROTECTION SHEET BDT 2GR
I.5283	FRONTAL INTERMEDIO INFERIOR BDT	FRONT INTERMEDIATE LOWER BDT
I.5297	TAPA SUPERIOR BDT 2GR	TOP COVER BDT 2GR
I.5305	BARANDILLA BIG DREAM T 2GR	RAILING BIG DREAM T 2 GR
I.5326	FRONTAL BAYDUR BDT 2 GRUPOS BLANCO MATE	MATT WHITE PANEL FRONT BAYDUR 2GR
I.5332	FRONTAL BAYDUR BDT 2 GRUPOS NEGRO MATE	MATT BLACK PANEL FRONT BAYDUR 2GR
I.5333	LATERAL DERECHO BAYDUR BLANCO MATE	RIGHT SIDE MATT WHITE BAYDUR
I.5334	LATERAL IZQUIERDO BAYDUR BLANCO MATE	LEFT SIDE MATT WHITE BAYDUR
I.5335	PANEL TRASERO BAYDUR 2GR BLANCO MATE	REAR PANEL BAYDUR 2GR MATT WHITE



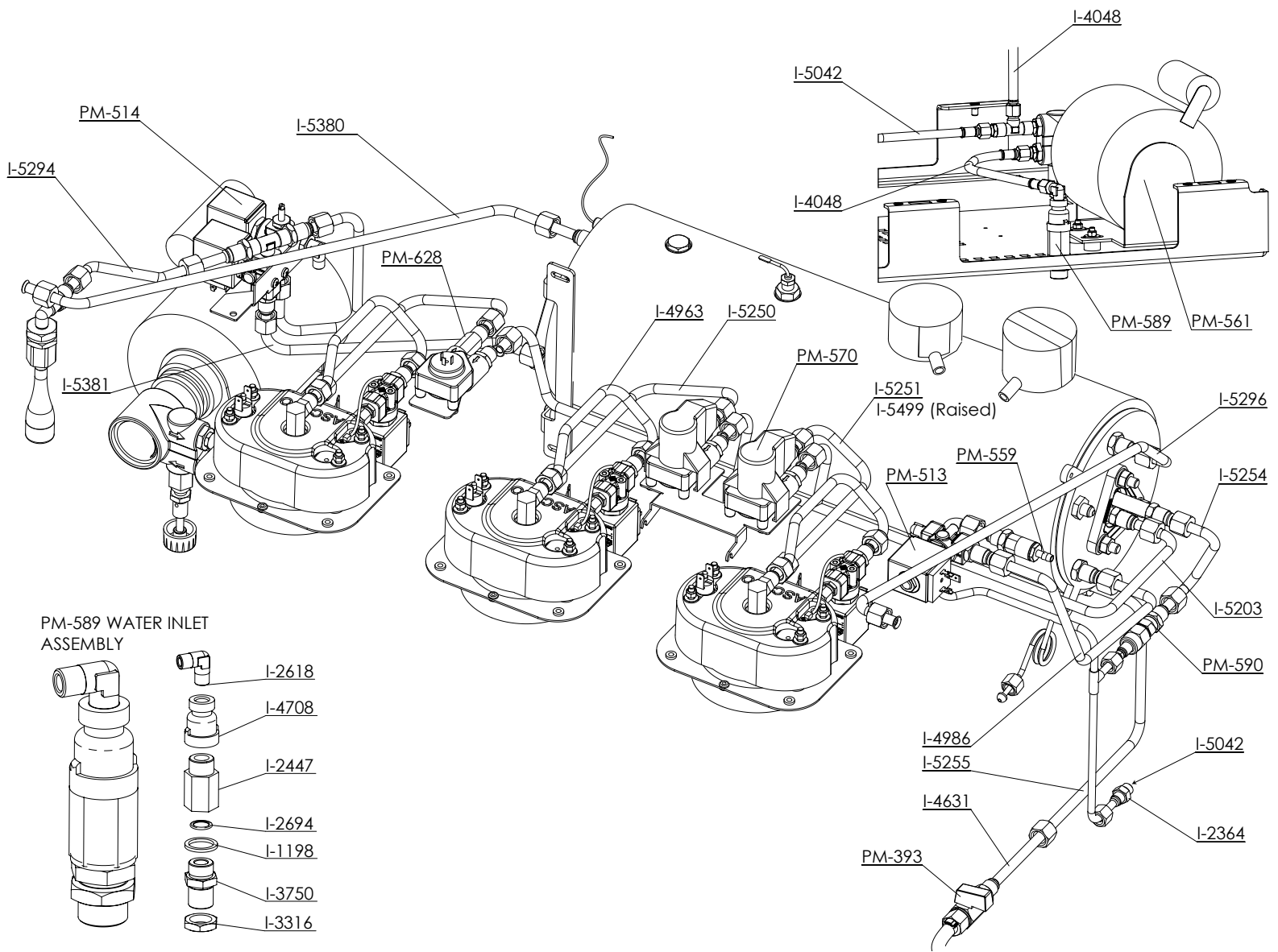
REF.	DESCRIPCIÓN	DESCRIPTION
I.1987	TUERCA SUJ. CAZOLETA M10 INOX	NUT M10 INOX
I.3529	COLUMNA CALDERA BARISTA T	BOILER COLUMN BARISTA T
I.4111	TORNILLO DIN 933 M10X40 INOX.	SCREW DIN 933 M10X40 INOX.
I.4225	PATA BIG DREAM 75X60	FOOT BIG DREAM 75X60
I.4260	BASE GOMA PIE BIG DREAM	RUBBER FOOT BASE BD
I.5279	BASE CENTRALITAS BDT	BDT CONTROL UNITS BASE
I.5284	LATERAL DERECHO BDT	RIGHT SIDE BDT
I.5285	LATERAL IZQUIERDO BDT	LEFT SIDE BDT
I.5290	SOPORTE DERECHO CALDERA BDT	SUPPORT DROIT CHAUDIERE BDT
I.5291	SOPORTE GRUPO DERECHO BDT	SUPPORT GROUP DROIT BDT
I.5292	SOPORTE GRUPO IZQUIERDO BDT	SUPPORT GROUP GAUCHE BDT
I.5322	PROTECCION MOTOR BDT	BDT MOTOR PROTECTION
I.5369	BASE BDT 3GR	BASE BDT 3GR
I.5370	BASE SUPERIOR DELANTERA BDT 3GR	TOP COVER FRONT BDT 3GR
I.5371	TRAVESAÑO BDT 3GR	CROSS MEMBER BDT 3GR
I.5379	BASE SUPERIOR TRASERA BDT 3GR	TOP COVER REAR BDT 3GR



REF.	DESCRIPCIÓN	DESCRIPTION
I.3158	MARCO BASE BIG DREAM 3GR	BASE FRAME BIG DREAM 3GR
I.3280	REJILLA BIG DREAM 3 GRUPOS	GRILL BIG DREAM 3 GROUPS
I.3282	BANDEJA BIG DREAM 3GR	BIG DREAM 3GR WATER TRAY
I.4697	LATERAL DERECHO BAYDUR NEGRO MATE	RIGHT SIDE MATT BLACK BAYDUR
I.4698	LATERAL IZQUIERDO BAYDUR NEGRO MATE	LEFT SIDE MATT BLACK BAYDUR
I.4700	PANEL TRASERO BAYDUR 3GR NEGRO MATE	REAR PANEL BAYDUR 3GR MATT BLACK
I.5333	LATERAL DERECHO BAYDUR BLANCO MATE	RIGHT SIDE MATT WHITE BAYDUR
I.5334	LATERAL IZQUIERDO BAYDUR BLANCO MATE	LEFT SIDE MATT WHITE BAYDUR
I.5368	FRONTAL BAYDUR BDT 3 GRUPOS BLANCO MATE	MATT WHITE PANEL FRONT BAYDUR 3GR
I.5372	FRONTAL INTERMEDIO SUPERIOR BIG DREAM T 3GR	UPPER INTERMEDIATE FRONT BIG DREAM T 3GR
I.5373	FRONTAL INTERMEDIO INFERIOR BDT 3GR	FRONT INTERMEDIATE LOWER BDT 3GR
I.5374	CHAPA PROTECCION INTERIOR BDT 3GR	INTERIOR PROTECTION SHEET BDT 3GR
I.5389	TAPA SUPERIOR BDT 3GR	TOP COVER BDT 3GR
I.5390	BARANDILLA BIG DREAM T 3GR	RAILING BIG DREAM T 3GR
I.5395	FRONTAL BAYDUR BDT 3 GRUPOS NEGRO MATE	MATT BLACK PANEL FRONT BAYDUR 3GR
I.5396	PANEL TRASERO BAYDUR 3GR BLANCO MATE	REAR PANEL BAYDUR 3GR MATT WHITE
I.5545	FRONTAL INTERMEDIO SUPERIOR BIG DREAM T 3GR RAISED	UPPER INTERMEDIATE FRONT BIG DREAM T 3GR RAISED

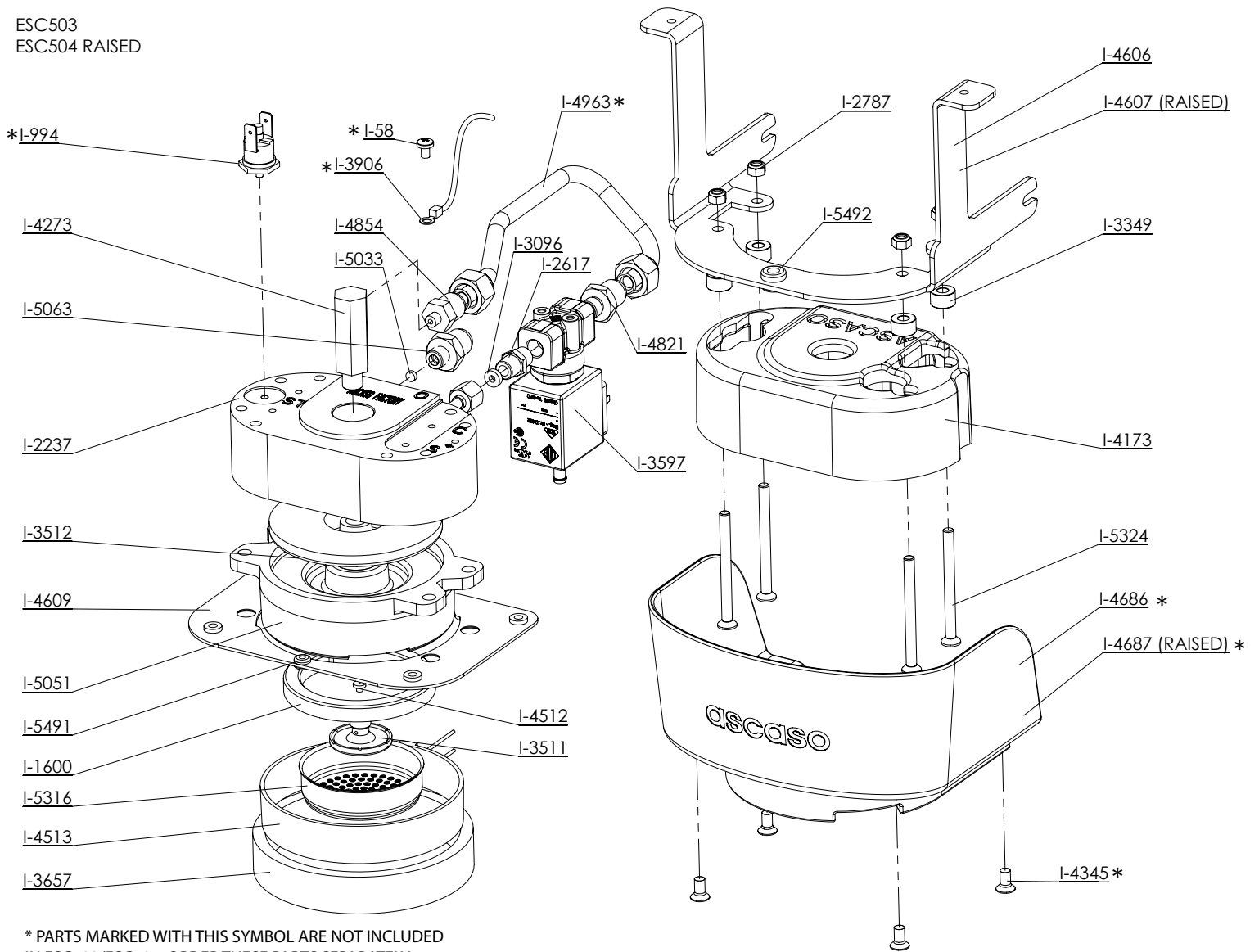


REF.	DESCRIPCIÓN	DESCRIPTION
I.1198	JUNTA COBRE 3/8"	WASHER 3/8"
I.2364	RACOR CONTADOR VOLUMETRICO 1/8"-1/8"	FITTING VOLUMETRIC CONTROL 1/8"-1/8"
I.2447	SUPLEMENTO RACORD BOMBA	SEPARATOR PUMP FITTING
I.2618	RACOR CODO 1/8 M-M INOX	ELBOW FITTING 1/8M-M NOX
I.2694	FILTRO RACORD	RACORD FILTER
I.3316	TUERCA 3/8"	NUT 3/8"
I.3750	RACOR 3/8 - 3/8 INOX	FITTING
I.4048	FLEXO INOX 1/8 250MM ASIENTO PLANO	FLEXO PIPE 1/8 (250MM)
I.4631	TUBO VACIADO CALDERA	BOILER EMPTYING PIPE BARISTA T
I.4708	REDUCTOR 3/8H-1/8H INOX	REDUCTOR 3 / 8H-1 / 8H INOX
I.4832	TUBO CALDERA A CONJUNTO REGULADOR BARISTA T 2 GRUPOS	BOILER TO REGULATOR ASSY PIPE BARISTA T 2 GROUPS
I.4963	TUBO SALIDA GRUPO BARISTA T D.8	GROUP EXIT PIPE BARISTA T D.8
I.4986	TUBO SALIDA EV LLENADO BARISTA T D.8	FILLING SOLENOID EXIT PIPE BARISTA T D.8
I.5042	FLEXO AGUA FRIA 1/8 H 500MM	COLD WATER FLEXIBLE TUBE 1/8 H 500MM
I.5184	TUBO SOLDADO DISTRIBUIDOR VOLUMÉTRICOS BARISTA T 2 GR	WELDED VOLUMETRIC TUBE BARISTA T 2GR
I.5250	TUBO ENTRADA GRUPO 1 BD T	GROUP 2 ENTRY PIPE BDT
I.5251	TUBO ENTRADA GRUPO 2 BD T	GROUP 1 ENTRY PIPE BDT
I.5254	TUBO ENTRADA INTERCAMBIADOR BDT	BOILER EXCHANCHER INLET PIPE BDT
I.5255	TUBO REPARTIDOR AGUA BDT / BT	WATER DISTRIBUTION PIPE BDT / BT
I.5294	TUBO A AGUA CALIENTE BDT	HOT WATER PIPE BDT
I.5295	TUBO VAPOR IZQUIERDO BDT	LEFT STEAM PIPE BDT
I.5296	TUBO VAPOR DERECHO BDT	RIGHT STEAM PIPE BDT
I.5499	TUBO ENTRADA GRUPO 2 BD T RAISED	GROUP 1 ENTRY PIPE BDT RAISED
PM.393	CJTO GRIFO DESAGÜE BARISTA T	ASSEMBLY DRAIN TAP BARISTA T
PM.513	CONJUNTO EV LLENADO BARISTA T	ASSEMBLY FILL SOLENOID BARISTA T
PM.514	CONJUNTO MIXER EV REGULABLE BARISTA T PLUS	ADJUSTABLE VALVE MIXER ASSEMBLY BARISTA T PLUS
PM.559	CONJUNTO VÁLVULA EXPANSIÓN BARISTA T	BARISTA T EXPANSION VALVE ASSEMBLY
PM.561	CONJUNTO MOTOR BARISTA T 220V	ENSEMBLE ENGINE BARISTA PRO 220V
PM.570	CONJUNTO CONTADOR VOLUMETRICO BDT	BDT VOLUMETRIC METER ASSEMBLY
PM.589	CONJUNTO ENTRADA AGUA BIG DREAM	BDT WATER INTAKE ASSEMBLY
PM.590	CONJUNTO VÁLVULA ANTIRRETORNO BDT	NON-RETURN VALVE ASSEMBLY BDT/BT



REF.	DESCRIPCIÓN	DESCRIPTION
I.1198	JUNTA COBRE 3/8"	WASHER 3/8"
I.2364	RACOR CONTADOR VOLUMETRICO 1/8"-1/8"	FITTING VOLUMETRIC CONTROL 1/8"-1/8"
I.2447	SUPLEMENTO RACORD BOMBA	SEPARATOR PUMP FITTING
I.2618	RACOR CODO 1/8 M-M INOX	ELBOW FITTING 1/8M-M NOX
I.2694	FILTRO RACORD	RACORD FILTER
I.3316	TUERCA 3/8"	NUT 3/8"
I.3750	RACOR 3/8 - 3/8 INOX	FITTING
I.4048	FLEXO INOX 1/8 250MM ASIENTO PLANO	FLEXO PIPE 1/8 (250MM)
I.4631	TUBO VACIADO CALDERA	BOILER EMPTYING PIPE BARISTA T
I.4708	REDUCTOR 3/8H-1/8H INOX	REDUCTOR 3 / 8H-1 / 8H INOX
I.4963	TUBO SALIDA GRUPO BARISTA T D.8	GROUP EXIT PIPE BARISTA T D.8
I.4986	TUBO SALIDA EV LLENADO BARISTA T D.8	FILLING SOLENOID EXIT PIPE BARISTA T D.8
I.5042	FLEXO AGUA FRIA 1/8 H 500MM	COLD WATER FLEXIBLE TUBE 1/8 H 500MM
I.5203	TUBO SOLDADO DISTRIBUIDOR VOLUMÉTRICOS BARISTA T 3 GR	WELDED VOLUMETRIC TUBE BARISTA T 3GR
I.5250	TUBO ENTRADA GRUPO 1 BD T	GROUP 2 ENTRY PIPE BDT
I.5251	TUBO ENTRADA GRUPO 2 BD T	GROUP 1 ENTRY PIPE BDT
I.5254	TUBO ENTRADA INTERCAMBIADOR BDT	BOILER EXCHANCHER INLET PIPE BDT
I.5255	TUBO REPARTIDOR AGUA BDT / BT	WATER DISTRIBUTION PIPE BDT / BT
I.5294	TUBO A AGUA CALIENTE BDT	HOT WATER PIPE BDT
I.5296	TUBO VAPOR DERECHO BDT	RIGHT STEAM PIPE BDT
I.5380	TUBO VAPOR IZQUIERDO BDT 3GR	LEFT STEAM PIPE BDT 3GR
I.5381	TUBO CALDERA A CONJUNTO REGULADOR BDT 3GR	BOILER PIPE TO REGULATOR ASSEMBLY BDT 3GR
I.5499	TUBO ENTRADA GRUPO 2 BD T RAISED	GROUP 1 ENTRY PIPE BDT RAISED
PM.393	CJTO GRIFO DESAGÜE BARISTA T	ASSEMBLY DRAIN TAP BARISTA T
PM.513	CONJUNTO EV LLENADO BARISTA T	ASSEMBLY FILL SOLENOID BARISTA T
PM.514	CONJUNTO MIXER EV REGULABLE BARISTA T PLUS	ADJUSTABLE VALVE MIXER ASSEMBLY BARISTA T PLUS
PM.559	CONJUNTO VÁLVULA EXPANSIÓN BARISTA T	BARISTA T EXPANSION VALVE ASSEMBLY
PM.561	CONJUNTO MOTOR BARISTA T 220V	ENSEMBLE ENGINE BARISTA PRO 220V
PM.570	CONJUNTO CONTADOR VOLUMETRICO BDT	BDT VOLUMETRIC METER ASSEMBLY
PM.589	CONJUNTO ENTRADA AGUA BIG DREAM	BDT WATER INTAKE ASSEMBLY
PM.590	CONJUNTO VÁLVULA ANTIRRETORNO BDT	NON-RETURN VALVE ASSEMBLY BDT/BT
PM.628	CONJUNTO CONTADOR VOLUMETRICO BDT 3GR	BDT 3GR VOLUMETRIC METER ASSEMBLY

ESC503  
ESC504 RAISED

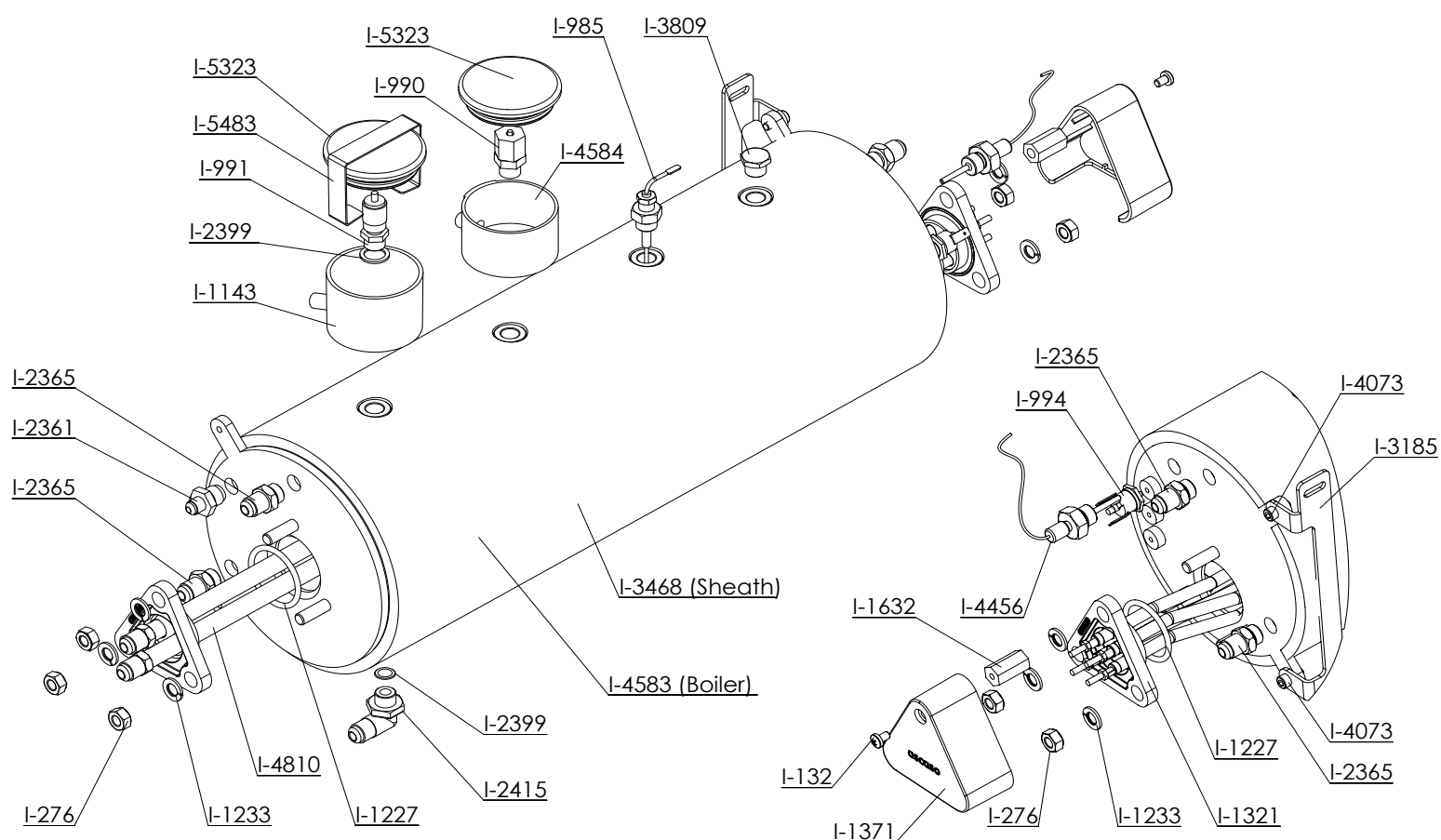


\* PARTS MARKED WITH THIS SYMBOL ARE NOT INCLUDED  
IN ESC503/ESC504, ORDER THESE PARTS SEPARATELY

REF.	DESCRIPCIÓN	DESCRIPTION
ESC503	GRUPO INTERCAMBIADOR BIG DREAM T	THERMOBLOCK ASSY BIG DREAM T
ESC504	GRUPO INTERCAMBIADOR BIG DREAM T RAISED	THERMOBLOCK ASSY BIG DREAM T RAISED
I...58	TORNILLO BRIDA FUSIBLE INOX	SCREW
I.994	TERMOSTATO SEGURIDAD 145°	THERMOSTAT SAFETY
I.1600	JUNTA PORTAFILTROS 8mm	FILTERHOLDER GASJKET 8mm
I.2237	C.JTO. INTERCAMBIADOR INOX. 230V	THERMOBLOCK INOX 230V
I.2617	CONECTOR RECTO 1/8 M-M	STRAIGHT CONNECTOR 1/8 M-M
I.2787	TUERCA AUTOBLOCANTE DIN 985 A2 M5 INOX	NUT DIN 985 M5
I.3096	JUNTA INTERCAMBIADOR	HEAT EXCHANGER GASKET
I.3349	TOPE PATA SOPORTE GRUPO BARISTA T	GROUP SUPPORT PAW STOP BARISTA T
I.3511	ROCIADOR GRUPO PROF. 2016	SPRAY GROUP PROF. 2016
I.3512	POSTIZO CAMPANA PROF. 2016	BELL PROF 2016 SUPPLEMENT
I.3597	EV GRUPO BT 3/2 NC RUBY DN1.5mm G1/8 230V	GROUP SOLENOID BT 3/2 NC RUBY DN1.5mm G1/8 230V
I.3657	FUNDA TERMICA CAMPANA GRUPO PROF	GROUP PROF BELL THERMAL CASE
I.3906	SONDA TEMPERATURA	TEMPERATURE PROBE
I.4173	FUNDA TÉRMICA INTERCAMBIADOR INOX.	THERMAL SHEATH STAINLESS STEEL EXCHANGET
I.4273	RACOR ENTRADA INTERCAMBIADOR BARISTA T	RACOR THERMOBLOCK BARISTA T
I.4345	TORNILLO M5x10 DIN 965 INOX A2	SCREW M5x10 DIN 965 INOX A2
I.4512	CHICLE GRUPO BARISTA T 0.7	JET GROUP BARISTA T 0.7
I.4513	RESISTENCIA ADHESIVA GRUPO BARISTA T 27W	ADHESIVE RESISTANCE BARISTA T GROUP
I.4606	SOPORTE GRUPO BIG DREAM T	SUPPORT GROUP BIG DREAM T
I.4607	SOPORTE GRUPO BIG DREAM T RAISED	SUPPORT GROUP BIG DREAM T RAISED
I.4609	CHAPA SOPORTE GRUPO BIG DREAM T	GROUP SHEET
I.4686	CUBREGRUPOS BIG DREAM T	GROUP COVER BIG DREAM T
I.4687	CUBREGRUPOS BIG DREAM T RAISED	GROUP COVER BIG DREAM T RAISED
I.4821	RACOR 1/8" - 1/4" ABOCARDADO	FITTING 1/8" 1/4" FOR PIPE
I.4854	RACOR CONEXION INTERCAMBIADOR BARISTA T (M6-1/4")	RACCORD CONNEXION THERMOBLOCK BARISTA T (M6-1/4")
I.4963	TUBO SALIDA GRUPO BARISTA T D.8	GROUP EXIT PIPE BARISTA T D.8
I.5033	FILTRO DISCO 5X2 AISI304	DISC FILTER 5x2
I.5051	CAMPANA PROF. 2020	BELL PROF. 2020
I.5063	RACOR 1/8" - 1/4" PARA FILTRO	FITTING 1/8" 1/4" FOR PIPE
I.5316	DUCHA COMPETICION BIG DREAM T	BIG DREAM T PRECISION COMPETITION SHOWER SCREEN
I.5324	TORNILLO M5X50 DIN7991 A-4	SCREW M5X50 DIN7991 A-4
I.5491	PASACABLES 8x5	CABLE GLANDS 8x5
I.5492	PASACABLES 12x8	CABLE GLANDS 12x8

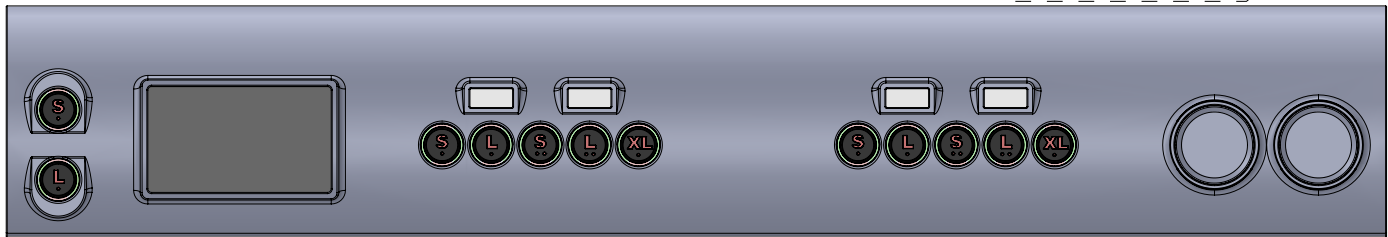
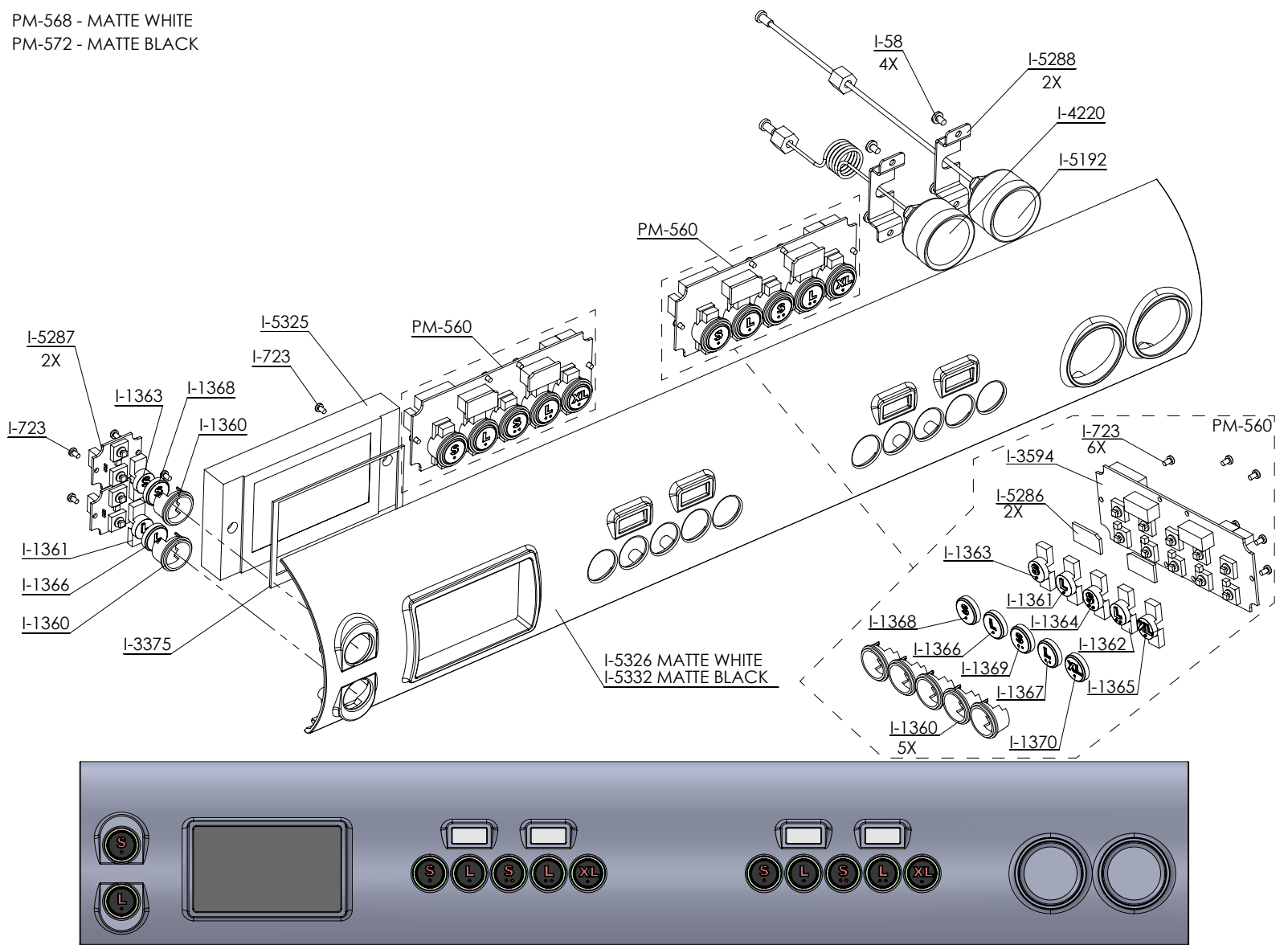


## ESC560

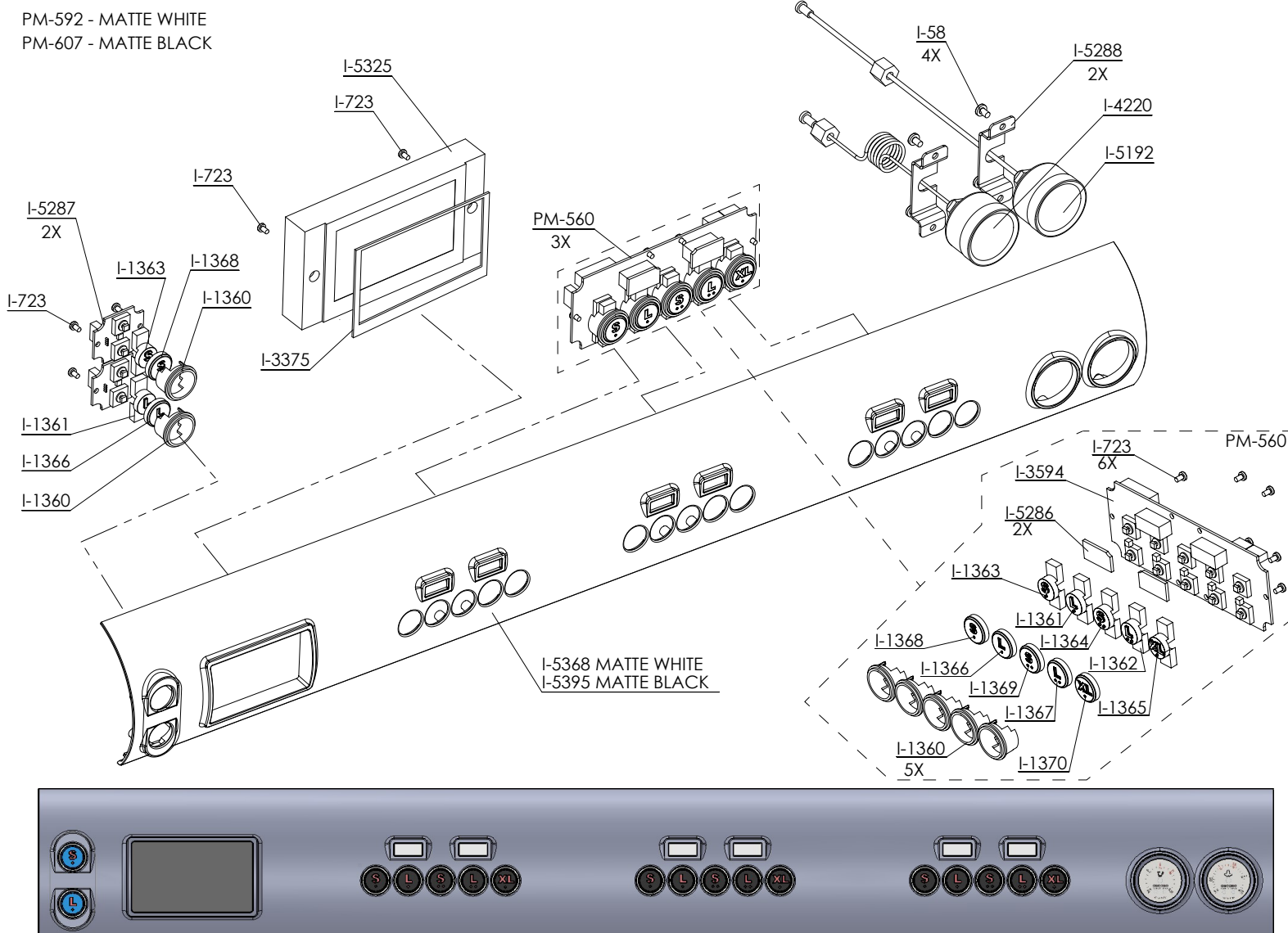


REF.	DESCRIPCIÓN	DESCRIPTION
ESC560	CONJUNTO CALDERA VAPOR BDT	BOILER BDT
I..132	TORNILLO M5X8 INOX	SCREW M5X8 INOX
I..276	TUERCA M8 INOX	SCREW M8
I..985	SONDA BAR COMPLETA 120MM	120MM LEVEL PROBE
I..990	VALVULA VACIO BAR 1/4	BAR EMPTY SOLENOID
I..991	VALVULA DE SEGURIDAD BAR	SAFETY BAR VALVE
I..994	TERMOSTATO SEGURIDAD 145°	THERMOSTAT SAFETY
I.1143	CAZOLETA VALVULA VACIO	BAR TRAY WATER BOILER
I.1227	TÓRICA 37.69 X 3.53 SILICONA	O-RING 37.69 X 3.53 SILICONE
I.1233	ARANDELA GROWER	GROWER SAFETY WASHER M8 DIN 127/B SS
I.1321	RESISTENCIA BARISTA 2GR /BARISTA T 2/3GR 3500W 230V	RESISTANCE BARISTA 2GR / BT 2/3GR 3500W
I.1371	TAPA PROTECCIÓN RESISTENCIA	RESISTANCE PROTECTOR LID
I.1632	TUERCA ESPECIAL RESISTENCIA INOX	RESISTANCE NUT
I.2361	RACOR INYECTOR 1/4"- 1/8"	FITTING INYECTOR 1/4"-1/8"
I.2365	RACOR CALDERA 1/4" INOX	BOILER FITTING 1/4" INOX
I.2399	JUNTA COBRE 1/4"	GASKET 1/4"
I.2415	RACOR CODO 1/4" AISI 316	RACOR CODO 1/4" AISI 316
I.3185	SOPORTE CALDERA VAPOR BIG DREAM	STEAM BOLIER SUPPORT BIG DREAM
I.3468	FUNDA TERMICA CALDERA 2GR BIG DREAM	2GR BOILER THERMAL CASE BIG DREAM
I.3809	TAPÓN 1/4 INOX	CAP 1/4
I.4073	TORNILLO DIN 912 M5X12 INOX	SCREW DIN 912 M5X12 INOX
I.4456	SONDA NTC INOX. 1/4"	SOUNDING LINE NTL 1/4"
I.4583	CALDERA VAPOR 8.5L BIG DREAM T/BARISTA T 2/3 GRUPOS	BOILER CHAUDIERE 8.5L BIG DREAM T/BARISTA T 2/3 GROUPS
I.4584	CAZOLETA VALVULA VACIO BARISTA T 1/4"D60XH35MM/F14	EMPTY VALVE TRAY BARISTA T 1/4"D60XH35MM/F14
I.4810	INTERCAMBIADOR BARISTA T	HEAT EXCHANGER BARISTA T
I.5483	BRIDA CAZOLETA	BOWL FLANGE
I.5323	TAPA CAZOLETA VALVULA VACIO	COVER CUP EMPTY VALVE

PM-568 - MATTE WHITE  
PM-572 - MATTE BLACK

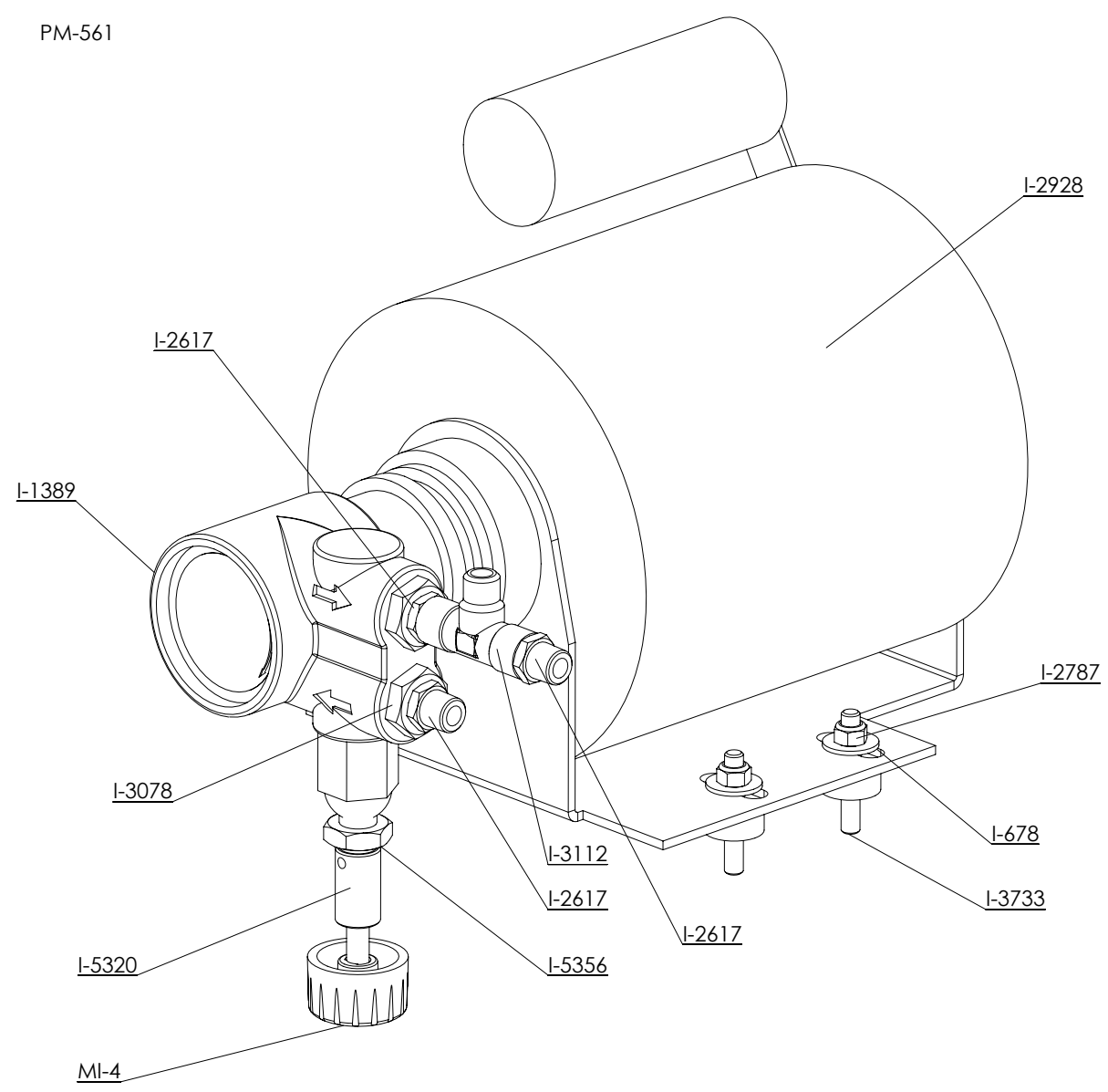


REF.	DESCRIPCIÓN	DESCRIPTION
I...58	TORNILLO BRIDA FUSIBLE INOX	SCREW
I.723	TORNILLO DIN 7985 M3 X 5 INOX	DIN 7985 M3 X 5 ZN SCREW
I.1360	EMBELLECEDOR BOTONERA	DOSING DEVICE PROTECTOR
I.1361	INTERRUPTOR L	SWITCH L
I.1362	INTERRUPTOR L2	SWITCH L2
I.1363	INTERRUPTOR S	SWITCH S
I.1364	INTERRUPTOR S2	SWITCH S2
I.1365	INTERRUPTOR XL	SWITCH XL
I.1366	BOTÓN TECLA L	L KEY
I.1367	BOTON TECLA L2	KEY L2
I.1368	BOTÓN TECLA S	S KEY
I.1369	BOTON TECLA S2	KEY S2
I.1370	BOTON TECLA XL	KEY XL
I.3375	JUNTA DISPLAY	DISPLAY GASKET
I.3594	PLACA ELECTRONICA BOTONERA BARISTA T	DOSING PANNEL ELECTRONIC PLATE BARISTA T
I.4220	MANOMETRO DREAM / STEEL	MANOMETER DREAM/STEEL
I.5192	MANOMETRO CALDERA VAPOR BABY T	MANOMETER BOILER BABY T
I.5286	MIRILLA BDT	SCREEN BDT
I.5287	PLACA ELECTRONICA 1 BOTON BDT	ELECTRONIC BOARD 1 BDT BUTTON
I.5288	SOPORTE MANOMETRO BDT	MANOMETER SUPPORT BDT
I.5325	DISPLAY BDT	DISPLAY BDT
I.5326	FRONTAL BOTONERA BAYDUR 2GR	WHITE BUTTON PANEL FRONT BAYDUR 2GR
I.5332	FRONTAL BAYDUR BDT 2 GRUPOS NEGRO MATE	MATT BLACK PANEL FRONT BAYDUR 2GR
PM.560	CONJUNTO BOTONERA BDT	BDT KEYBOARD SET
PM.568	CONJUNTO BOTONERA BAYDUR BDT 2GR BLANCO MATE	BAYDUR BDT 2GR MATT WHITE KEYBOARD SET
PM.572	CONJUNTO BOTONERA BAYDUR BDT 2GR NEGRO MATE	BAYDUR BDT 2GR MATT BLACK KEYBOARD SET



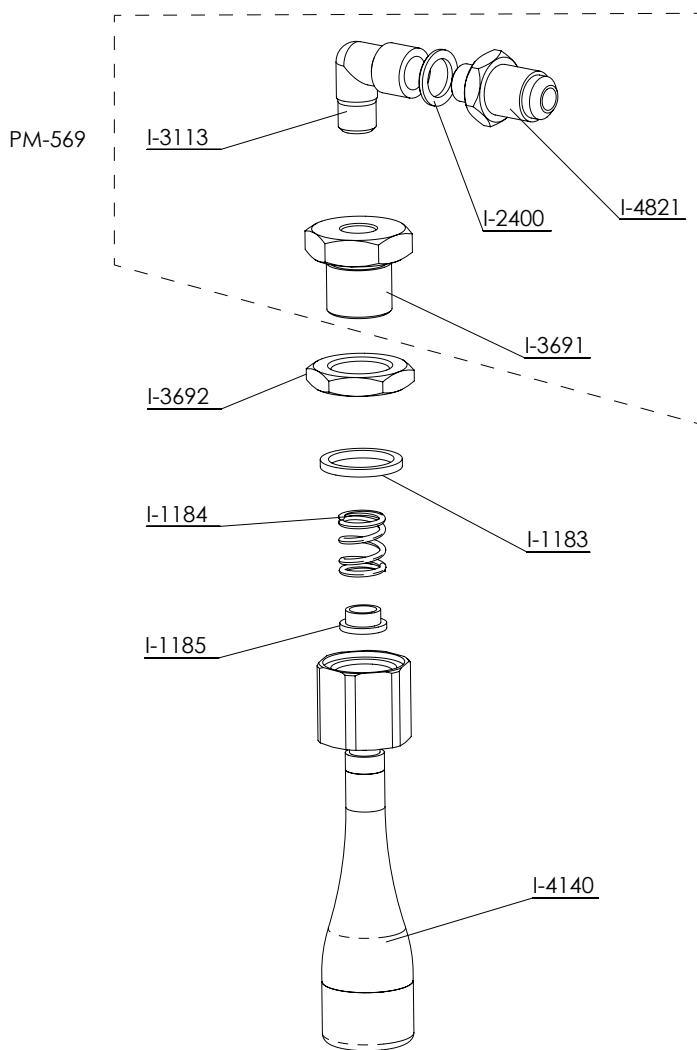
REF.	DESCRIPCIÓN	DESCRIPTION
I...58	TORNILLO BRIDA FUSIBLE INOX	SCREW
I..723	TORNILLO DIN 7985 M3 X 5 INOX	DIN 7985 M3 X 5 ZN SCREW
I.1360	EMBELLECEDOR BOTONERA	DOSING DEVICE PROTECTOR
I.1361	INTERRUPTOR L	SWITCH L
I.1362	INTERRUPTOR L2	SWITCH L2
I.1363	INTERRUPTOR S	SWITCH S
I.1364	INTERRUPTOR S2	SWITCH S2
I.1365	INTERRUPTOR XL	SWITCH XL
I.1366	BOTÓN TECLA L	L KEY
I.1367	BOTON TECLA L2	KEY L2
I.1368	BOTÓN TECLA S	S KEY
I.1369	BOTON TECLA S2	KEY S2
I.1370	BOTON TECLA XL	KEY XL
I.3375	JUNTA DISPLAY	DISPLAY GASKET
I.3594	PLACA ELECTRONICA BOTONERA BARISTA T	DOSING PANNEL ELECTRONIC PLATE BARISTA T
I.4220	MANOMETRO DREAM / STEEL	MANOMETER DREAM/STEEL
I.5192	MANOMETRO CALDERA VAPOR BABY T	MANOMETER BOILER BABY T
I.5286	MIRILLA BDT	SCREEN BDT
I.5287	PLACA ELECTRONICA 1 BOTON BDT	ELECTRONIC BOARD 1 BDT BUTTON
I.5288	SOPORTE MANOMETRO BDT	MANOMETER SUPPORT BDT
I.5325	DISPLAY BDT	DISPLAY BDT
I.5368	FRONTAL BAYDUR BDT 3 GRUPOS BLANCO MATE	MATT WHITE PANEL FRONT BAYDUR 3GR
I.5395	FRONTAL BAYDUR BDT 3 GRUPOS NEGRO MATE	MATT BLACK PANEL FRONT BAYDUR 3GR
PM.560	CONJUNTO BOTONERA BDT	BDT KEYBOARD SET
PM.592	CONJUNTO BOTONERA BAYDUR BDT 3GR BLANCO MATE	BAYDUR BDT 3GR MATT WHITE KEYBOARD SET
PM.607	CONJUNTO BOTONERA BAYDUR BDT 3GR NEGRO MATE	BAYDUR BDT 3GR MATT BLACK KEYBOARD SET

PM-561

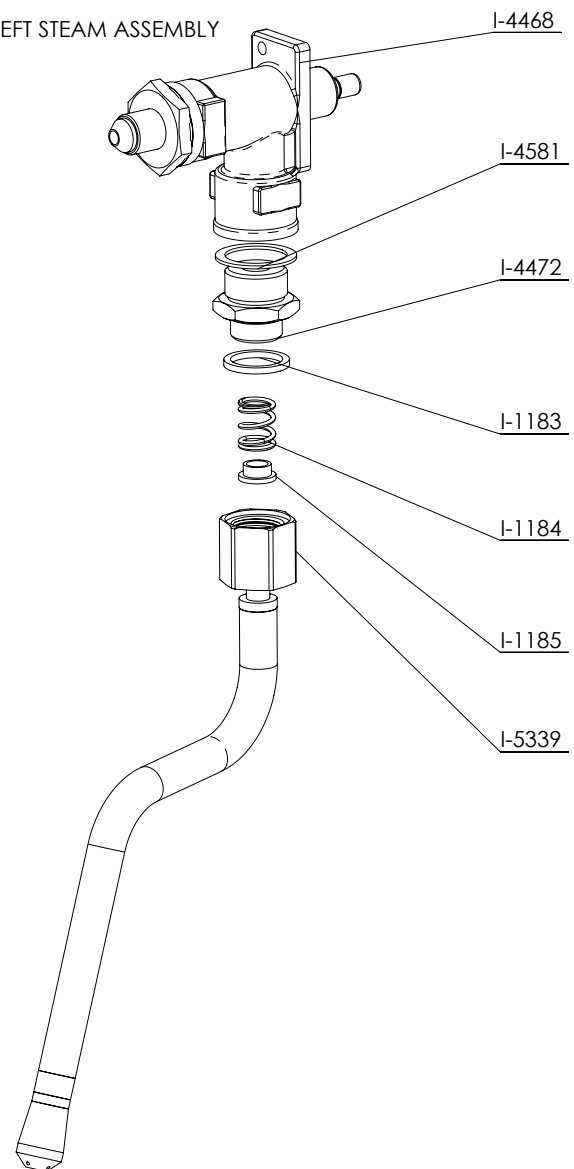


REF.	DESCRIPCIÓN	DESCRIPTION
I..678	ARANDELA DIN9021 M5 INOX	WASHER
I.1389	BOMBA ABRAZADERA INOX PROCON 200LTS	PROCON CLASP PUMP
I.2617	CONECTOR RECTO 1/8 M-M	STRAIGHT CONNECTOR 1/8 M-M
I.2787	TUERCA AUTOBLOCANTE DIN 985 A2 M5 INOX	NUT DIN 985 M5
I.2928	MOTOR BOMBA 165W 220V	PUMP ENGINE 165W 220V
I.3078	REDUCCIÓN 3/8"- 1/8"	REDUCER 3/8" M - 1/8"H INOX
I.3112	RACOR T M 1/8"R - H 1/8"G + H 1/8"G	FITTING TEE M 1/8"R - H 1/8"G + H 1/8"G
I.3733	SILENT-BLOCK 10X16	SILENT-BLOCK
I.5320	REGULADOR BOMBA PROCON	PROCON PUMP REGULATOR
I.5356	TUERCA DIN 439 M10X1 A2	NUT DIN 439 M10x1 A2
MI...4	POMO REGULADOR	HANDLE
PM.561	CONJUNTO MOTOR BOMBA BDT	BDT PUMP MOTOR ASSEMBLY

BDT WATER OUTLET

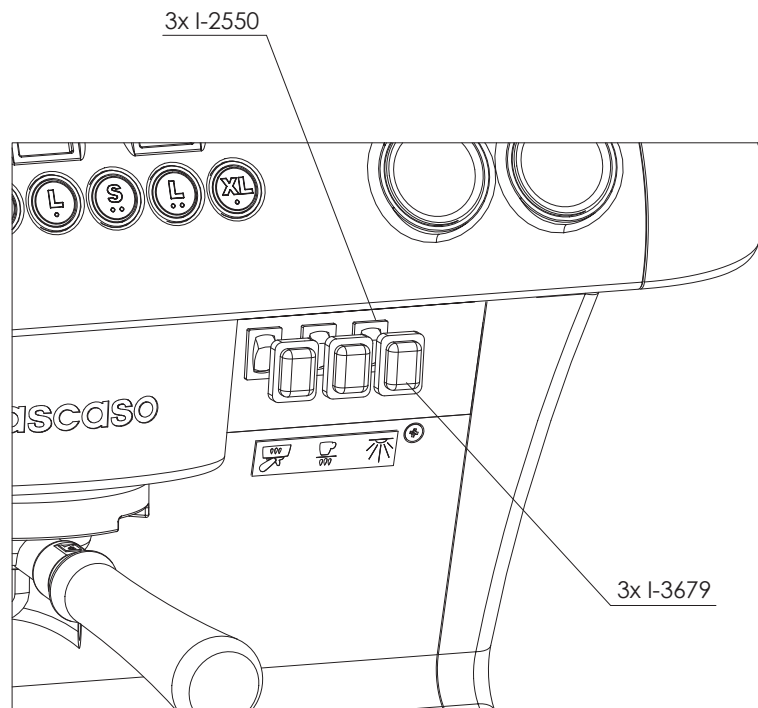


PM-567 BDT LEFT STEAM ASSEMBLY

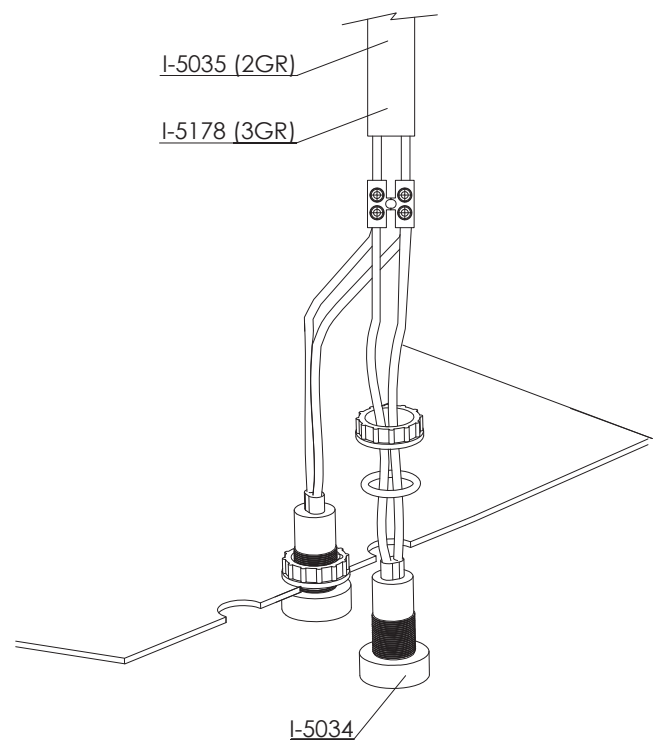


REF.	DESCRIPCIÓN	DESCRIPTION
I.1183	ARANDELA GRIFO AGUA	O-RING
I.1184	MUELLE GRIFO SALIDA VAPOR-AGUA	STEAM - WATER OUTLET TAP SPRING
I.1185	GUÍA MUELLE GRIFO AGUA	SPRING GUIDE WATER TAP
I.2400	JUNTA COBRE 1/8"	COPPER JOINT 1/8"
I.3113	RACOR CODO M1/8" R - H 1/8" G	FITTING ELBOW M1/8" R - H 1/8" G
I.3691	RACORD EV - SALIDA AGUA	RACORD SOLENOID - WATER EXIT
I.3692	TUERCA RACOR EV- SALIDA AGUA	RACOR NUT SOLENOID - WATER EXIT
I.4140	TUBO AGUA INOX ANTICALORICO PTFE	INOX WATER PIPE PTFE
I.4468	GRIFO LATERAL BARISTA T PLUS	BARISTA T PLUS SIDE TAP
I.4472	CASQUILLO MONTAJE GRIFO BARISTA T PLUS	TAP ASSY FERRULE BARISTA T PLUS
I.4581	JUNTA PTFE 26mm X 20mm X 1mm	GASKET PTFE 26mm X 20mm X 1mm
I.4821	RACOR 1/8" - 1/4" ABOCARDADO	FITTING 1/8" 1/4" FOR PIPE
I.5339	TUBO SALIDA VAPOR INOX. BIG DREAM T D.12mm-SALIDA PEEK	BIG DREAM T STAINLESS STEEL STEAM PIPE D.12mm - PEEK OUTLET
PM.567	CONJUNTO VAPOR BDT	STEAM SET BDT
PM.569	CONJUNTO SALIDA AGUA BDT	BDT WATER OUTLET ASSEMBLY

## SWITCHES

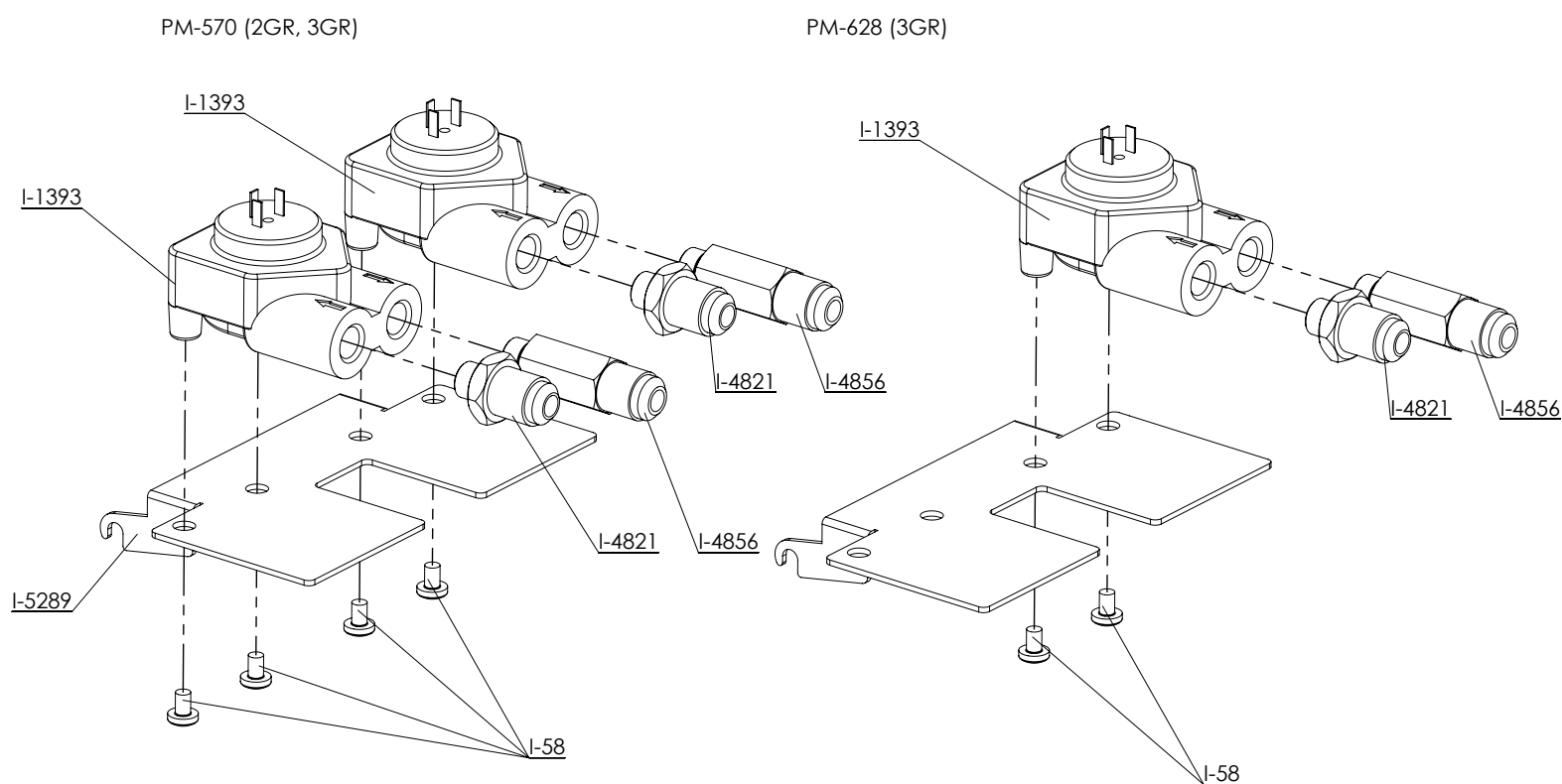


## LEDS



REF.	DESCRIPCIÓN
I.2550	INTERRUPTOR ON-OFF ACCESORIOS BARISTA T
I.3679	PROTECTOR PVC INTERRUPTOR
I.5034	LED LUZ BLANCA 230V + TUERCA+TORICA
I.5035	CABLE LED BARISTA T 2GR
I.5178	CABLE LED BARISTA T 3GR

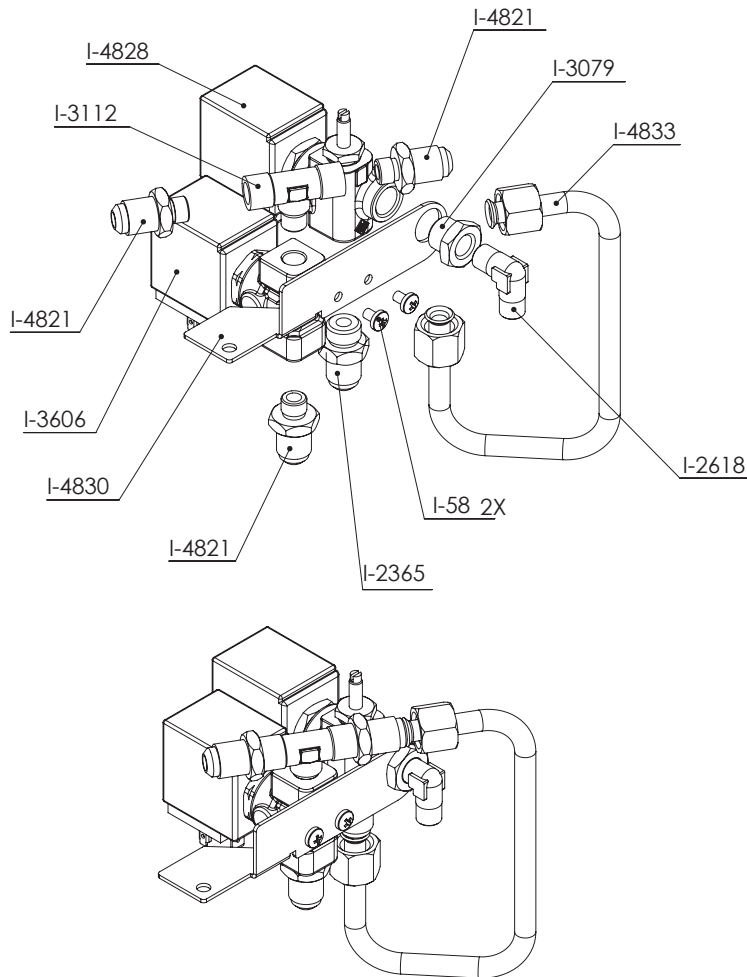
DESCRIPTION
BARISTA T ACCESORIES ON/OFF SWITCH
PVC SWITCH PROTECTOR RL-31
LED 230V.
WIRING LED BAR/BARISTA T 2GR 2020
WIRING LED BAR/BARISTA T 3GR 2020



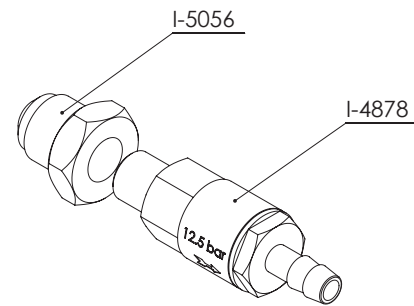
REF.	DESCRIPCIÓN
I...58	TORNILLO CABEZA ALOMADA PHILLIPS DIN 7985 INOX A4 M 4x6
I.1393	CONTADOR VOLUMETRICO 1/8
I.4821	RACOR 1/8" - 1/4" ABOCARDADO
I.4856	RACOR 1/8" LARGO -1/4" ABOCARDADO
I.5289	SOPORTE VOLUMETRICOS BDT
PM.570	CONJUNTO CONTADOR VOLUMETRICO BDT
PM.628	CONJUNTO CONTADOR VOLUMETRICO BDT 3GR

DESCRIPTION
SCREW
FLOWMETER 1/8
FITTING 1/8" - 1/4" FLARED
FITTING 1/4 LONG 1/8 FLARED
VOLUMETRIC SUPPORT BDT
BDT VOLUMETRIC METER ASSEMBLY
BDT 3GR VOLUMETRIC METER ASSEMBLY

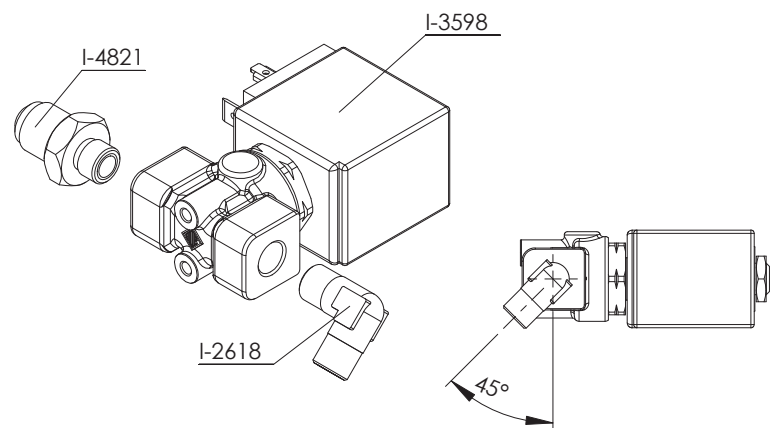
PM-514 - ADJUSTABLE SOLENOID VALVE MIXER ASSEMBLY



PM-559 - EXPANSION VALVE ASSEMBLY



PM-513 - FILL SOLENOID ASSEMBLY

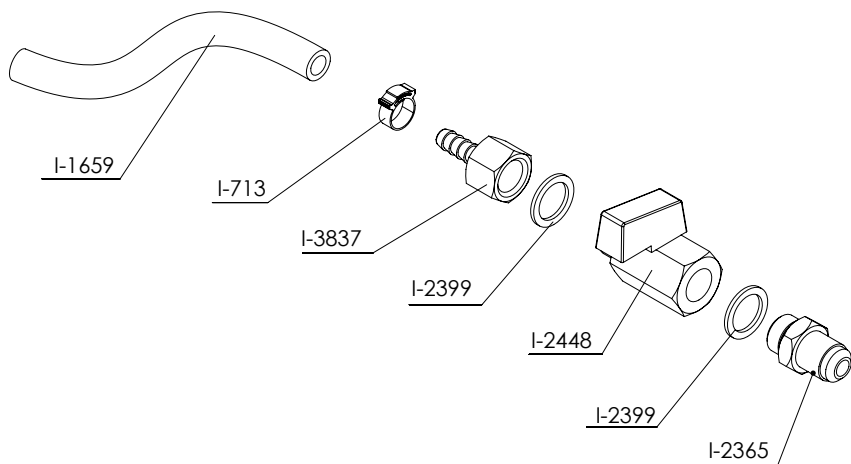


REF.	DESCRIPCIÓN
I...58	TORNILLO BRIDA FUSIBLE INOX
I.2365	RACOR CALDERA 1/4" INOX
I.2618	RACOR CODO 1/8 M.M INOX
I.3079	REDUCCIÓN 1/4"M - 1/8"H INOX
I.3112	RACOR T M 1/8"R . H 1/8"G + H 1/8"G
I.3598	ELECTROVALVULA LLENADO BT 2/2 NC FKM DN1.5mm 230V
I.3606	ELECTROVALVULA AGUA CALIENTE 2/2 RUBY DN3.0mm 230V
I.4821	RACOR 1/8" . 1/4" ABOCARDADO
I.4828	ELECTROVALVULA MEZCLADORA AGUA FRIA BARISTA T PLUS
I.4830	SOPORTE VALVULA REGULADORA BARISTA T
I.4833	TUBO ELECTROVALVULA REGULADORA BARISTA T
I.4878	VALVULA EXPANSION 1/8"- D.6 12.5bar
I.5056	RACOR 1/8H - 1/4 ABOCARDADO
PM.513	CONJUNTO ELECTROVALVULA LLENADO BARISTA T FLEJO
PM.514	CONJUNTO MIXER EV REGULABLE BARISTA T PLUS
PM.559	CONJUNTO VALVULA EXPANSION BARISTA T

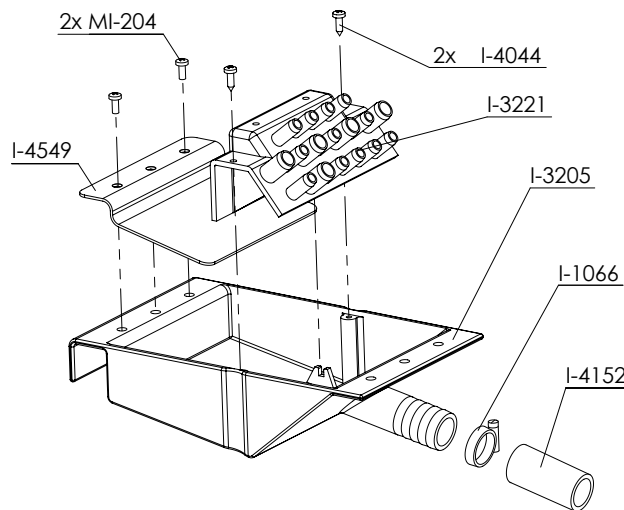
DESCRIPTION
SCREW
FITTING BOILER 1/4"
ELBOW FITTING 1/8 M.M INOX (old I.90)
REDUCER 1/4"M - 1/8"H INOX
FITTING TEE M 1/8"R . H 1/8"G + H 1/8"G
FILL SOLENOID BT 2/2 NC FKM DN1.5mm G1/8 230V
SOLENOID HOTWATER BT 2/2 NC RUBY DN3.0mm G1/8 230V
FITTING 1/8" . 1/4" FLARED
COLD WATER MIXING SOLENOID VALVE BARISTA T PLUS
REGULATING VALVE SUPPORT BARISTA T
REGULATOR SOLENOID PIPE BARISTA T
EXPANSION VALVE 1/8"- D.6 12.5bar
1/8H - 1/4 FLARED FITTING
FILL SOLENOID BARISTA T ASEMBLY FLEX TUBE
ADJUSTABLE SOLENOID VALVE MIXER ASSEMBLY BARISTA T
BARISTA T EXPANSION VALVE ASSEMBLY



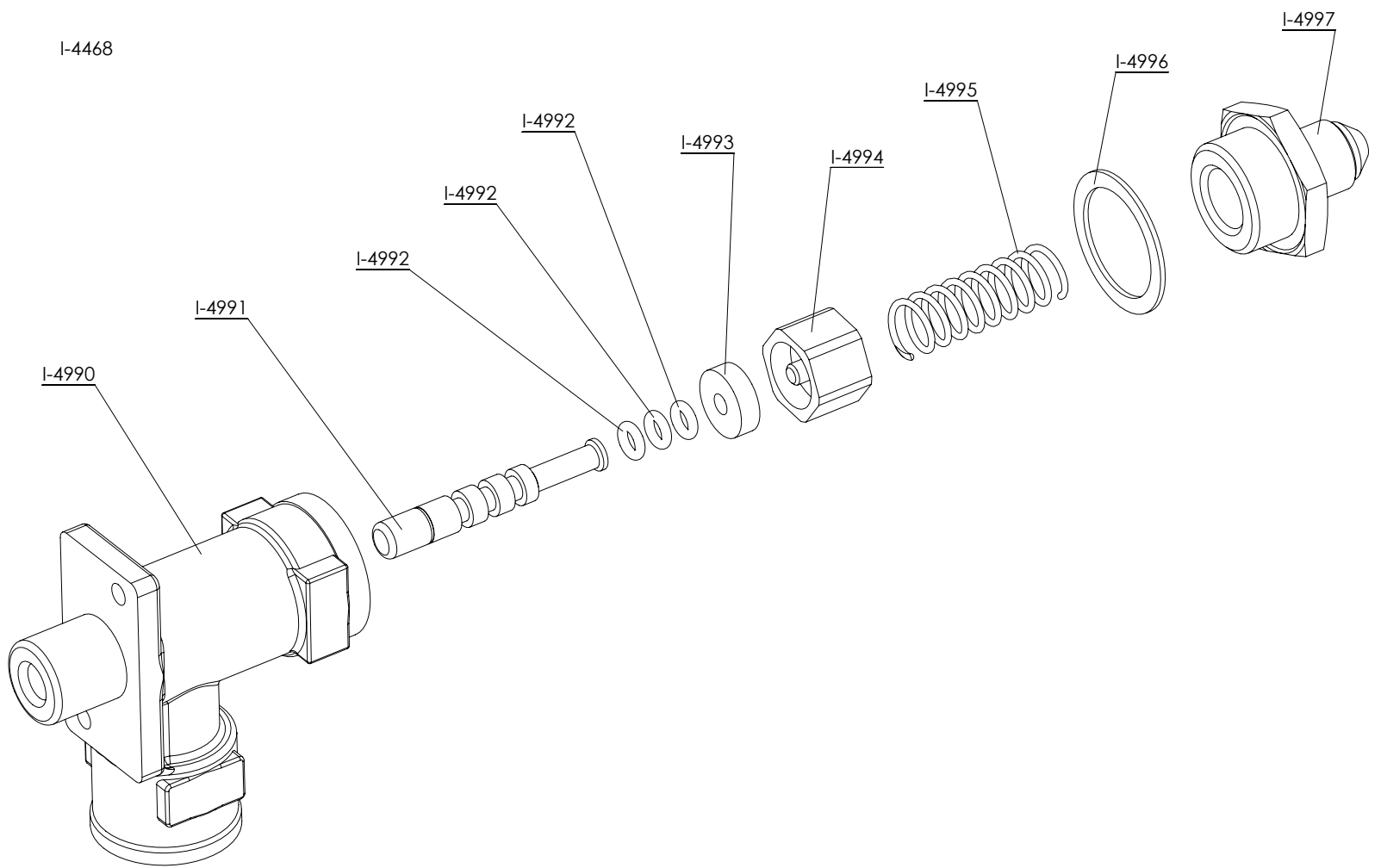
PM-393 - DRAIN TAP



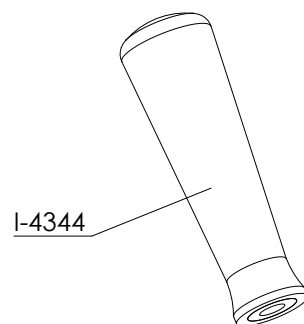
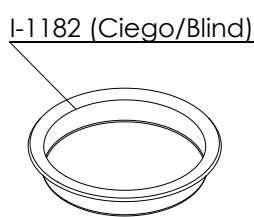
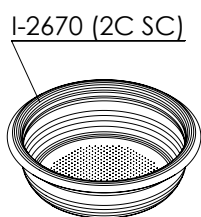
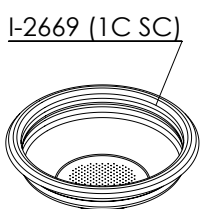
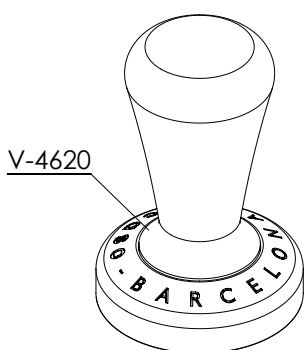
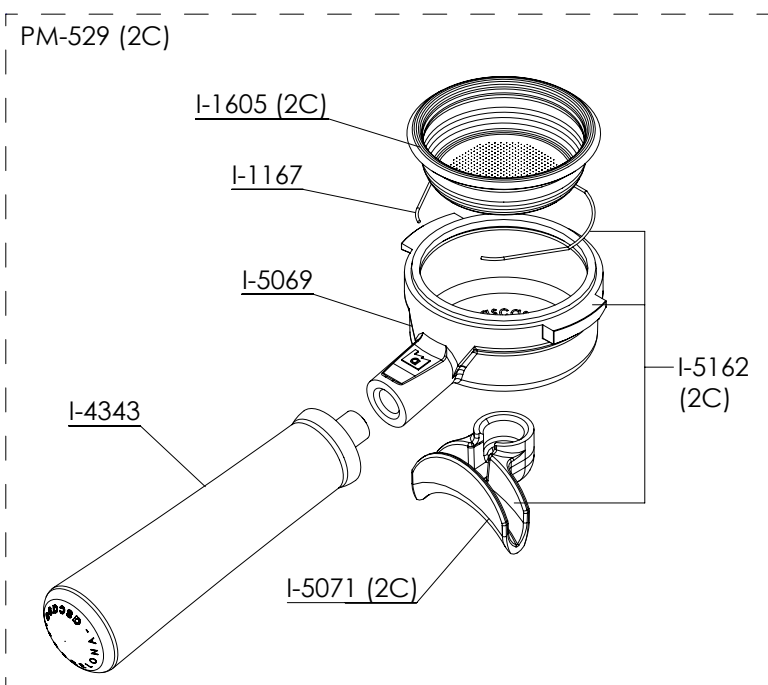
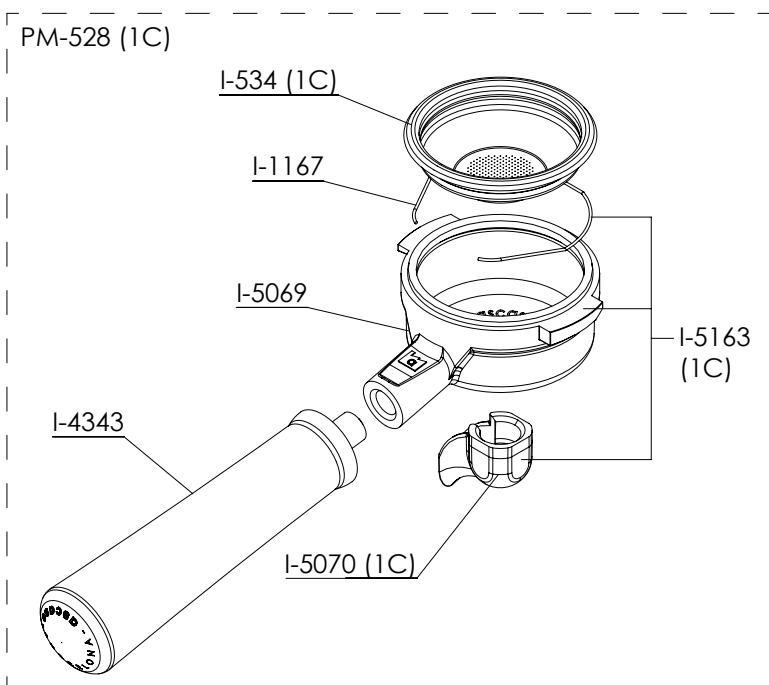
PM-418 - WATER DRAIN



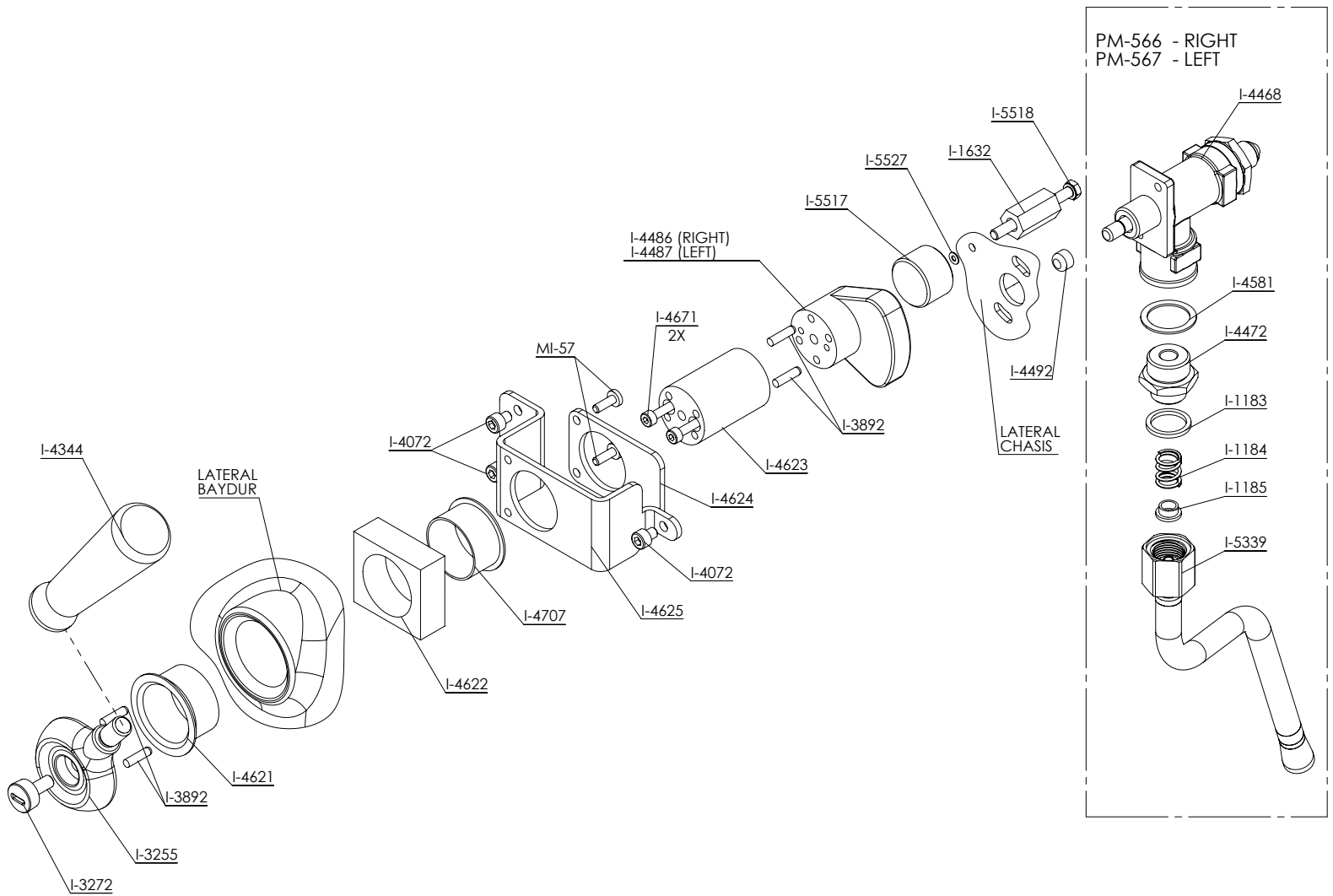
REF.	DESCRIPCIÓN	DESCRIPTION
I..713	ABRAZADERA	CLAMP
I.1066	ABRAZADERA DIAM. 12 a 22mm	CLAMP DIAM 12
I.1659	TUBO SILICONA 7X11 (300MM)	SILICONE PIPE 7X11 (300MM)
I.2365	RACOR CALDERA 1/4" INOX	BOILER FITTING 1/4" INOX
I.2399	JUNTA COBRE 1/4"	COPPER JOINT 1/4"
I.2448	VÁLVULA BOLA 1/4 BARISTA	BARISTA SOLENOID BALL 1/4
I.3205	CAZOLETA DESAGÜE	WATER DRAIN
I.3221	COLECTOR CAZOLETA DE DESAGÜE	WATER DRAIN COLLECTOR
I.3837	ESPIGA HEMBRA 7 1/4	FITTING
I.4044	TORNILLO DIN 7981 2,9X9,5 INOX	SCREW DIN 7981 2,9X9,5 INOX
I.4152	TUBO DESAGÜE D18 (300MM)	DRAIN PIPE
I.4549	PROTECTOR DESAGÜE	DRAIN PROTECTOR
MI.204	TORNILLO M4x10 DIN7985 INOX A4.80	SCREW M4x10 DIN7985 INOX A4.80
PM.393	CJTO GRIFO DESAGÜE BARISTA T	ASSY DRAIN TAP BARISTA T
PM.418	CONJUNTO CAZOLETA DESAGÜE	ASSEMBLY WATER DRAIN



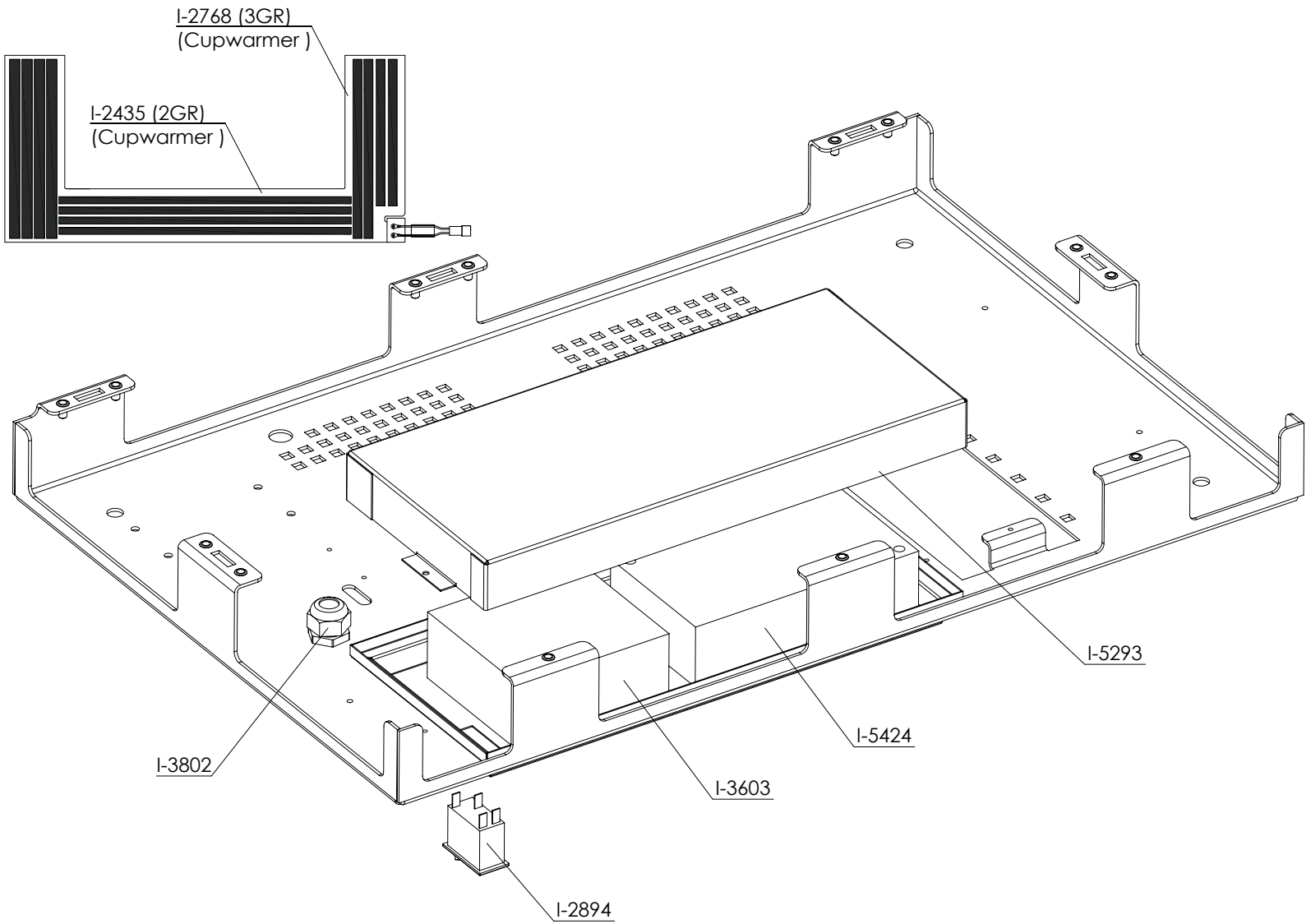
REF.	DESCRIPCIÓN	DESCRIPTION
I.4468	GRIFO LATERAL BARISTA T PLUS	BARISTA T PLUS SIDE TAP
I.4990	CUERPO GRIFO I-4468	BODY TAP I-4468
I.4991	EJE GRIFO I-4991	TAP AXLE I-4468
I.4992	TORICA EJE GRIFO I-4468	O-RING TAP AXLE I-4468
I.4993	TACO CIERRE GRIFO I-4468	TAP CHANGER I-4468
I.4994	PORTA JUNTAS GRIFO I-4468	TAP HOLDER I-4468
I.4995	MUELLE GRIFO I-4468	SPRING TAP I-4468
I.4996	JUNTA COBRE GRIFO I-4468	COPPER TAP JOINT I-4468
I.4997	RACOR GRIFO I-4468	FITTING TAP I-4468



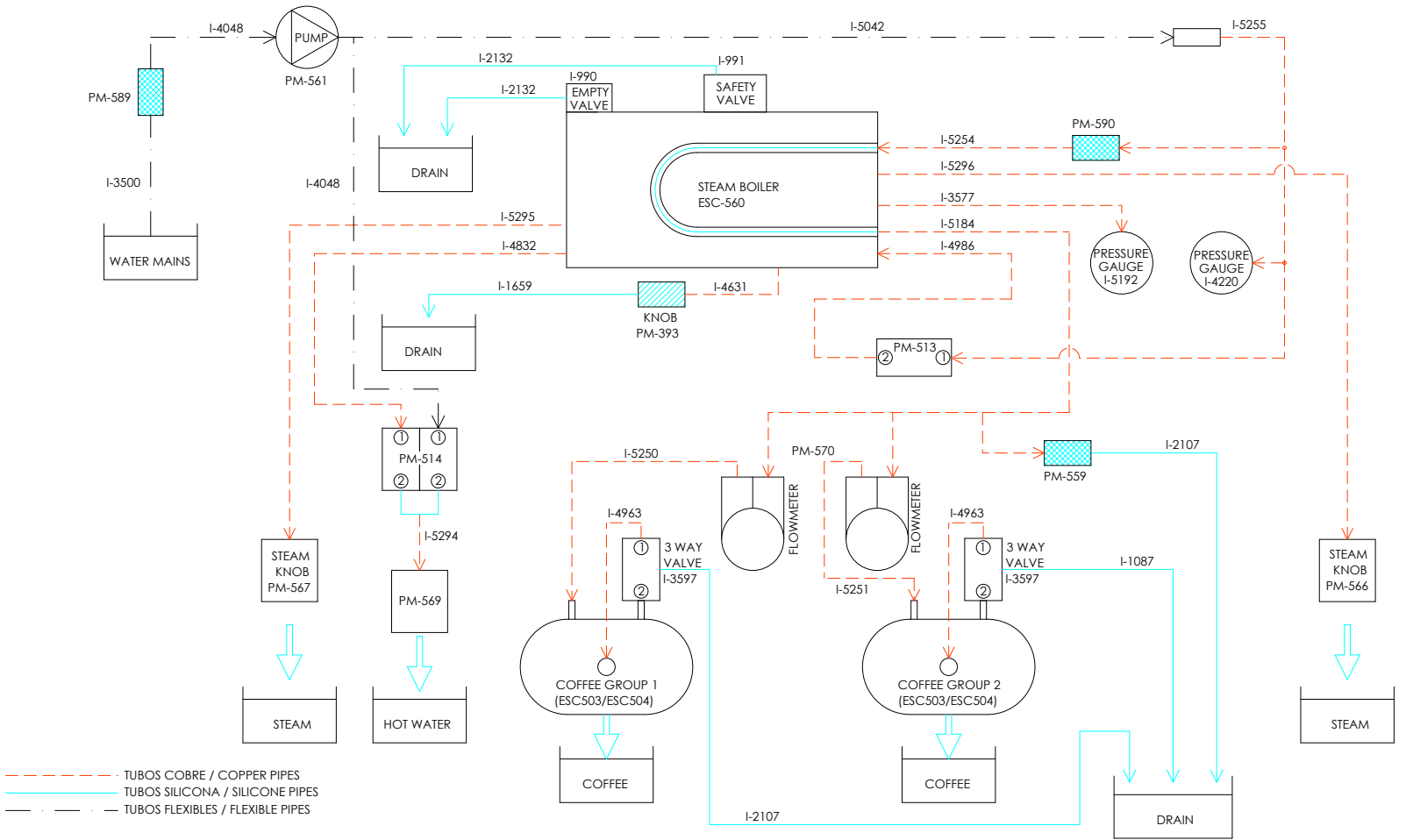
REF.	DESCRIPCIÓN	DESCRIPTION
I..534	CACILLO 1 CAFE PROFESIONAL	PROFESSIONAL 1 COFFEE FILTER
I.1167	ARO RETENCION FILTRO PROF. (D.1MM)	PROF FILTER SPRING
I.1182	CACILLO CIEGO PROF/BARISTA	PROF BLIND FILTER
I.1605	CACILLO 2 CAFE	2 COFFEES FILTER
I.2669	CACILLO 1C SC PROF.	FILTER 1C SC PROF.
I.2670	CACILLO 2C SC PROF	FILTER 2C SC PROF.
I.4343	MANGO PORTA MADERA BARISTA T/ BIG DREAM PLUS NOGAL	SET HANDLE WALNUT WOOD BARISTA / BIG DREAM PLUS
I.4344	POMO GRIFO VAPOR BIG DREAM PLUS / BARISTA T PLUS	STEAM TAP HANDLE BIG DREAM PUS / BARISTA T PLUS
I.5069	CUERPO PORTAFILTRO INOX	EXTRA DEEP INCLINED FILTER HOLDER BODY M12 STAINLESS
I.5070	SALIDA 1 CAFE ABIERTA INOX	OUTPUT 1 OPEN STAINLESS STEEL COFFEE
I.5071	SALIDA 2 CAFES ABIERTA INOX	OUTPUT 2 OPEN STAINLESS STEEL COFFEE
I.5162	PORTAFILTRO M12 INCLINADO EXTRA PROFUNDO INOX. 2 CAFE	2 COFFEE EXTRA DEEP INCLINED FILTER HOLDER M12 STAINLESS
I.5163	PORTAFILTRO M12 INCLINADO EXTRA PROFUNDO INOX. 1 CAFE	1 COFFEE EXTRA DEEP INCLINED FILTER HOLDER M12 STAINLESS
PM.528	PORTAFILTRO INOX. COMPLETO NOGAL 1 CAFE	1 COFFEE STAINLESS COMPLETE FILTERHOLDER WALNUT WOOD
PM.529	PORTAFILTRO INOX. COMPLETO NOGAL 2 CAFES	2 COFFEE STAINLESS COMPLETE FILTERHOLDER WALNUT WOOD
V.4620	PRENSA MADERA NOGAL BASE INOX	TAMPER WALNUT WOOD + STAINLESS STEEL BASE



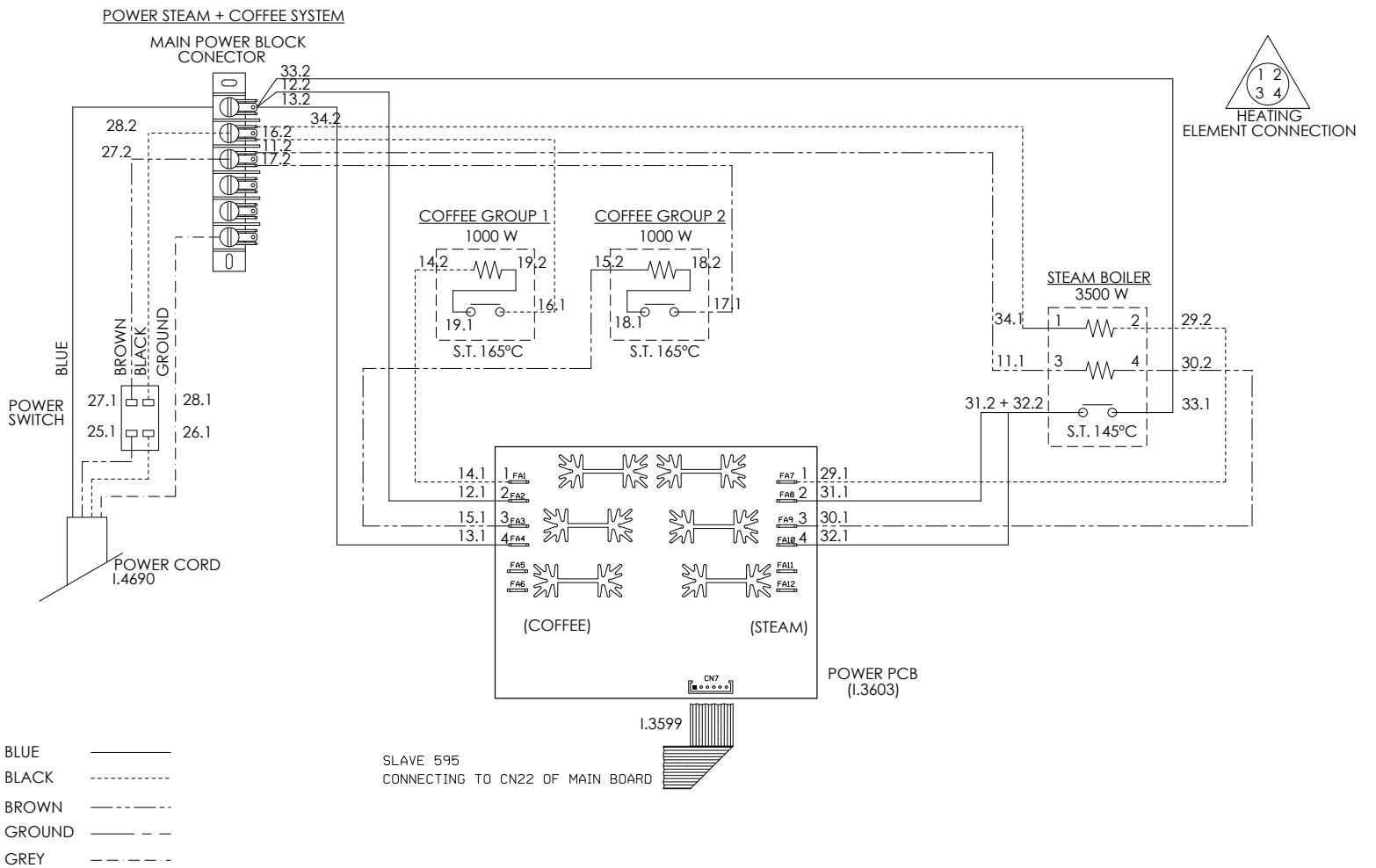
REF.	DESCRIPCIÓN	DESCRIPTION
I.1632	TUERCA ESPECIAL RESISTENCIA INOX	RESISTANCE NUT
I.3255	MANETA GRIFO BIG DREAM	BIG DREAM TAP HANDLE
I.3272	TORNILLO GRIFO VAPOR BIG DREAM	SCREW TAP STEAM
I.3892	PASADOR DIN 7 4X1 INOX A2	PIN DIN 7 4X16 INOX A2
I.4072	TORNILLO DIN 912 M5x6 INOX	SCREW DIN 912 M5x6 INOX
I.4344	POMO GRIFO VAPOR BIG DREAM PLUS / BARISTA T PLUS	STEAM TAP HANDLE BIG DREAM PUS / BARISTA T PLUS
I.4486	LEVA DERECHA GRIFO BARISTA T PLUS	RIGHT TAP CAP BARISTA T PLUS
I.4487	LEVA IZQUIERDA GRIFO BARISTA T PLUS	LEFT TAP CAP BARISTA T PLUS
I.4492	PROTECTOR PUNTA GRIFO BARISTA T PLUS	TAP END PROTECTOR BARISTA T PLUS
I.4621	CENTRADOR GRIFO BIG DREAM	TAP CENTER BIG DREAM
I.4622	CASQUILLO GUIA GRIFO BIG DREAM	TAP GUIDE CAP BIG DREAM
I.4623	EXTENSION LEVA GRIFO BIG DREAM	EXTENSION LEVA TAP BIG DREAM
I.4624	JUNTA FRICCION GRIFO BIG DREAM	TAP FRICTION GASKET BIG DREAM
I.4625	SOPORTE LEVA GRIFO BIG DREAM	TAP LEVER SUPPORT BIG DREAM
I.4671	TORNILLO DIN 912 M4x50 A2	SCREW DIN 912 M4x50 A2
I.4707	RODAMIENTO DE CASQUILLO BIG DREAM	BEARING BIG DREAM
I.5517	TOPE GRIFO BDT	TAP STOP
I.5518	TORNILLO M5x50 A2 DIN 933	SCREW M5x50 A2 DIN 933
I.5527	ARANDELA 2,5 A2 DIN 125	WASHER 2,5 A2 DIN 125
MI..57	TORNILLO M4X12	M4X12 SCREW



REF.	DESCRIPCIÓN	DESCRIPTION
I.2435	CALIENTATAZAS BARISTA/BARISTA T 2 GRUPOS	CUPWARMER 2GR BARISTA/BARISTA T RESISTANCE
I.2768	CALIENTATAZAS BARISTA/BARISTA T 3 GRUPOS	CUPWARMER 3GR BARISTA/BARISTA T RESISTANCE
I.2894	INTERRUPTOR GENERAL BIG DREAM/BARISTA T	BIG DREAM/BARISTA T MAIN SWITCH
I.3603	PCB CONTROL POTENCIA BARISTA T	BARISTA T POWER CONTROL PCB
I.3802	PRENSAESTOPA PG16+ TUERCA COLOR NEGRO	WALL INSERT PG16+ NUT
I.5293	TAPA CENTRALITAS BDT	BDT CONTROL UNITS COVER
I.5424	PCB CONTROL BIG DREAM T	BIG DREAM T CONTROL PCB



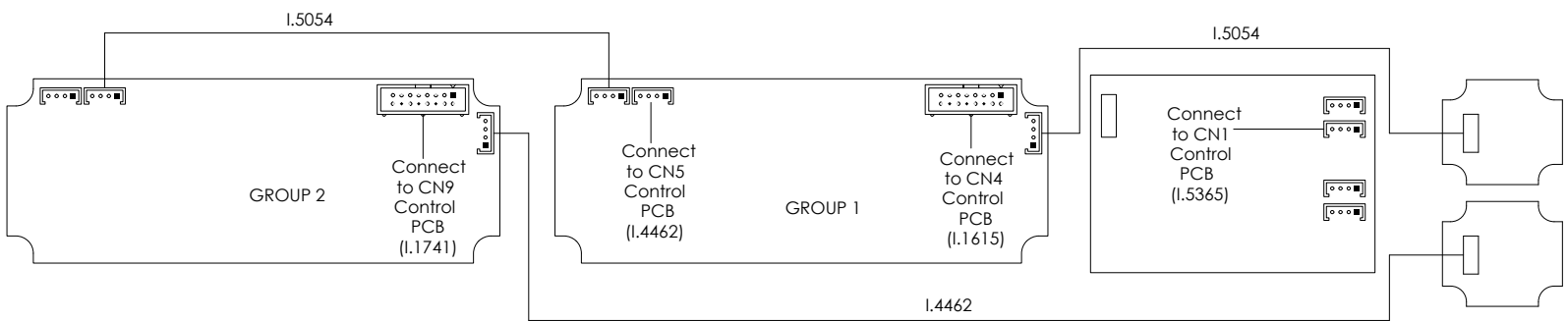
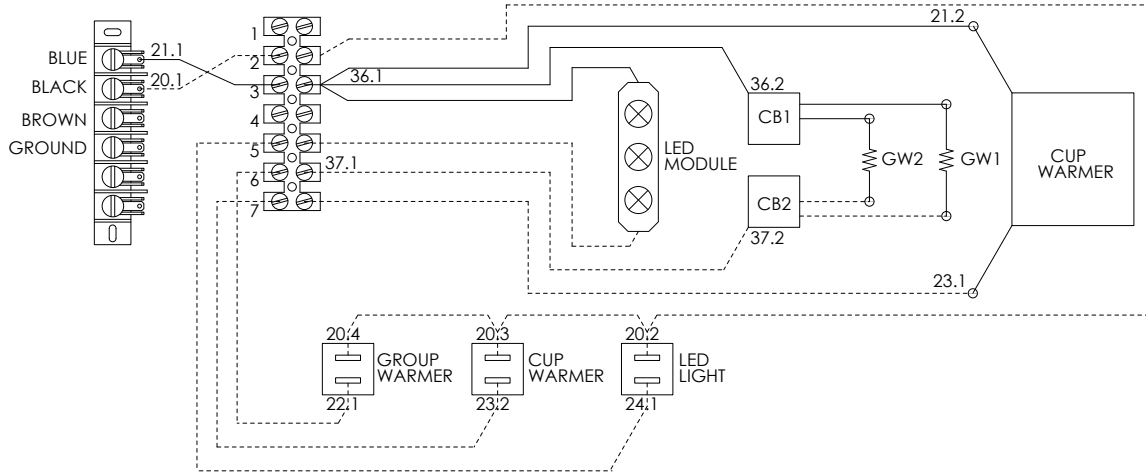
ELECTRIC SCHEME BDT (2-3)



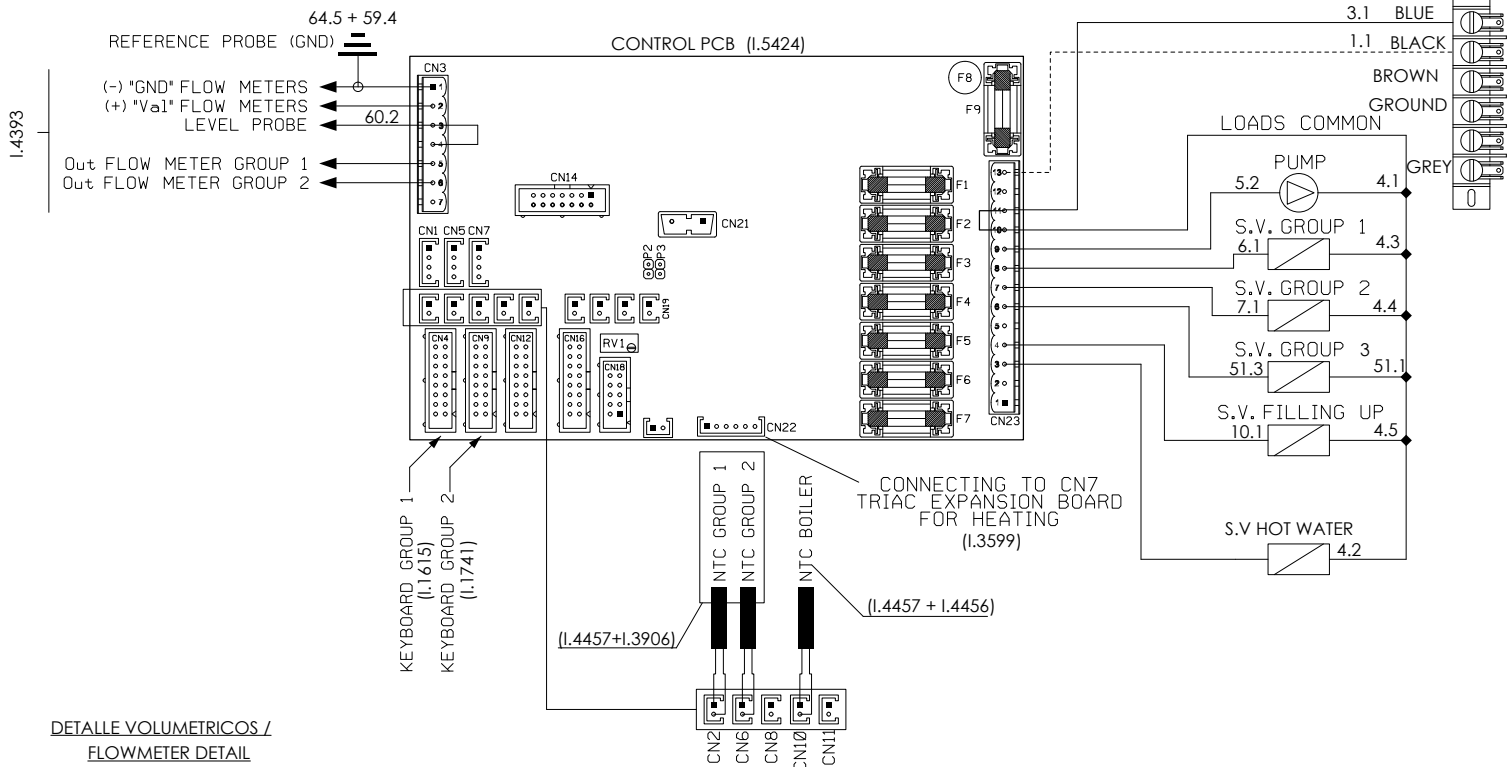
ELECTRIC SCHEME BDT (1-3)

BDT (ACCESSORIES)

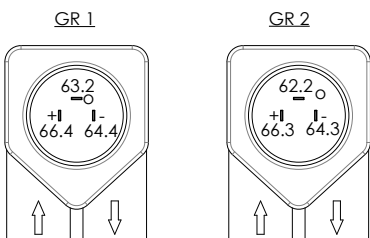
- 1.- PHASE (BLACK)
  - 2.- NEUTRAL (BLUE)
  - 3.- GROUND
  - 4.- LIGHT LED MODULE
  - 5.- GROUP WARMER
  - 6.- CUP WARMER
- CB1= CONNECTOR BLOCK 1  
 CB2= CONNECTOR BLOCK 2  
 GW1= GROUP WARMER 1  
 GW2= GROUP WARMER 2



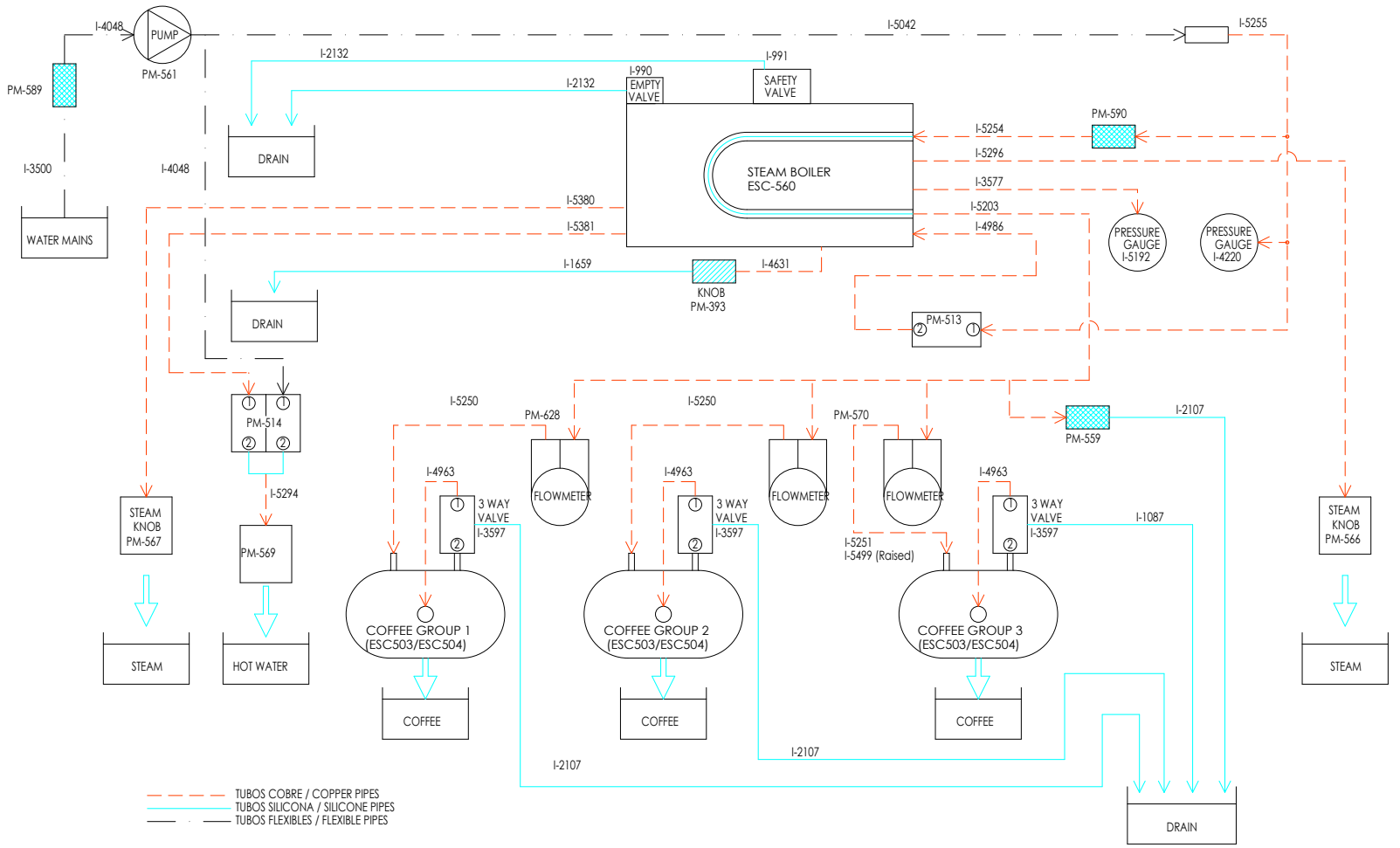
ELECTRIC SCHEME BDT (3-3)



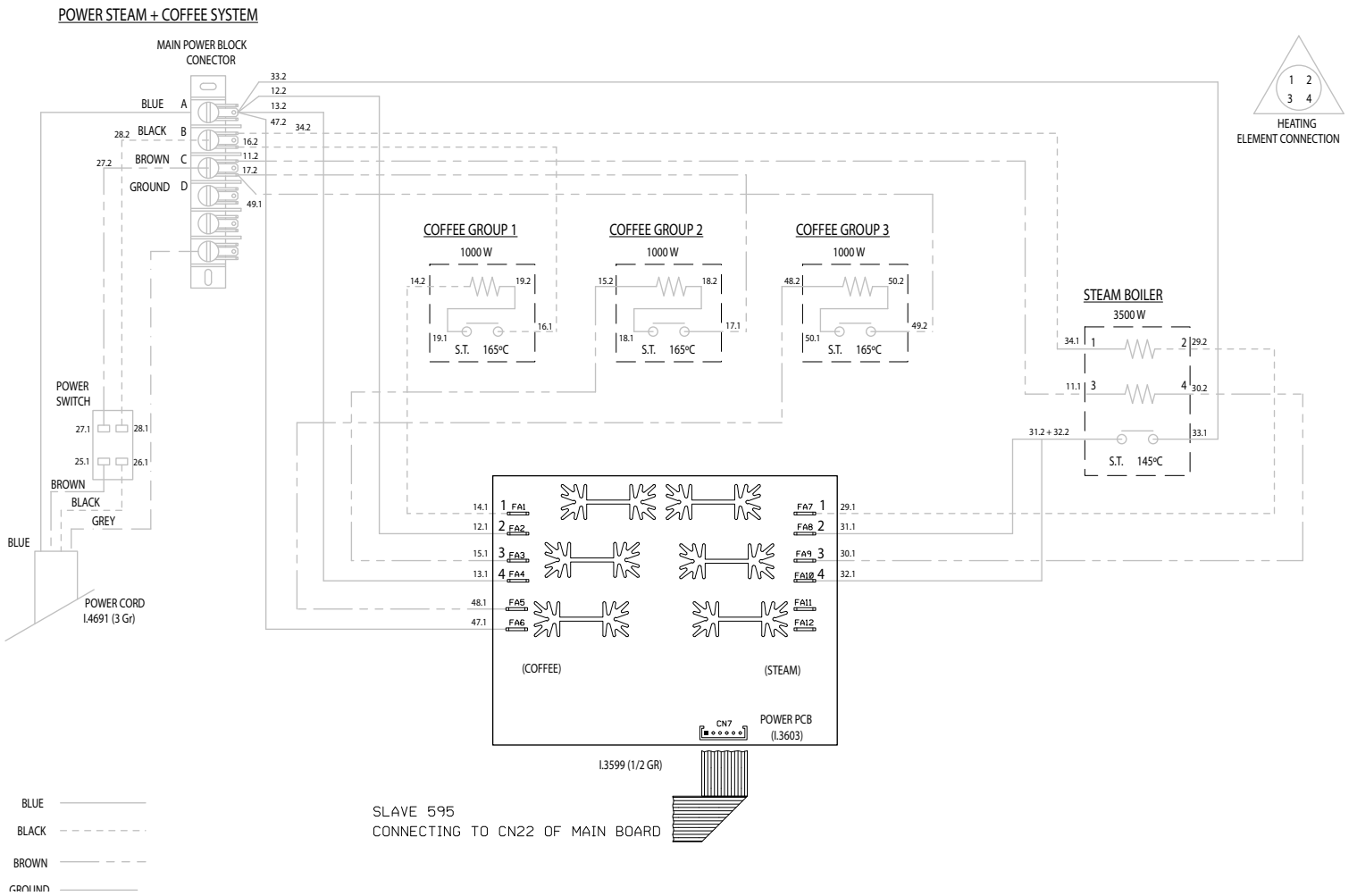
DETALLE VOLUMETRICOS / FLOWMETER DETAIL



- BLUE ———
- BLACK - - - - -
- BROWN - - - - -
- GROUND - - - - -

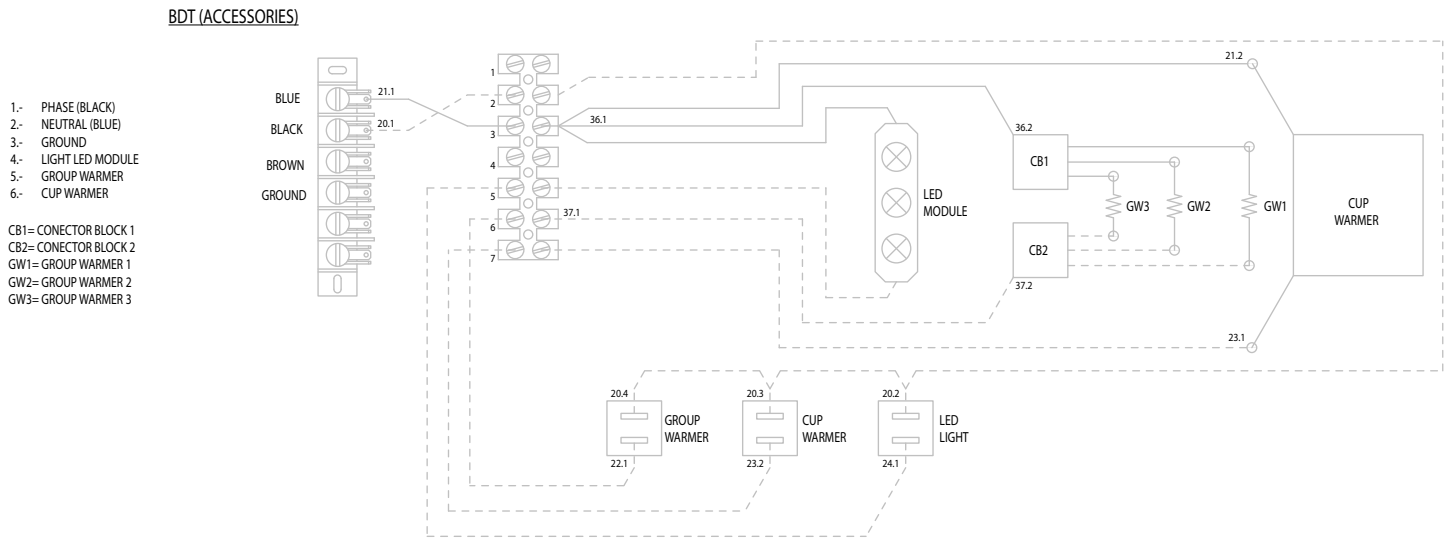


ESQUEMA ELECTRICO BDT 3GR (2-4)

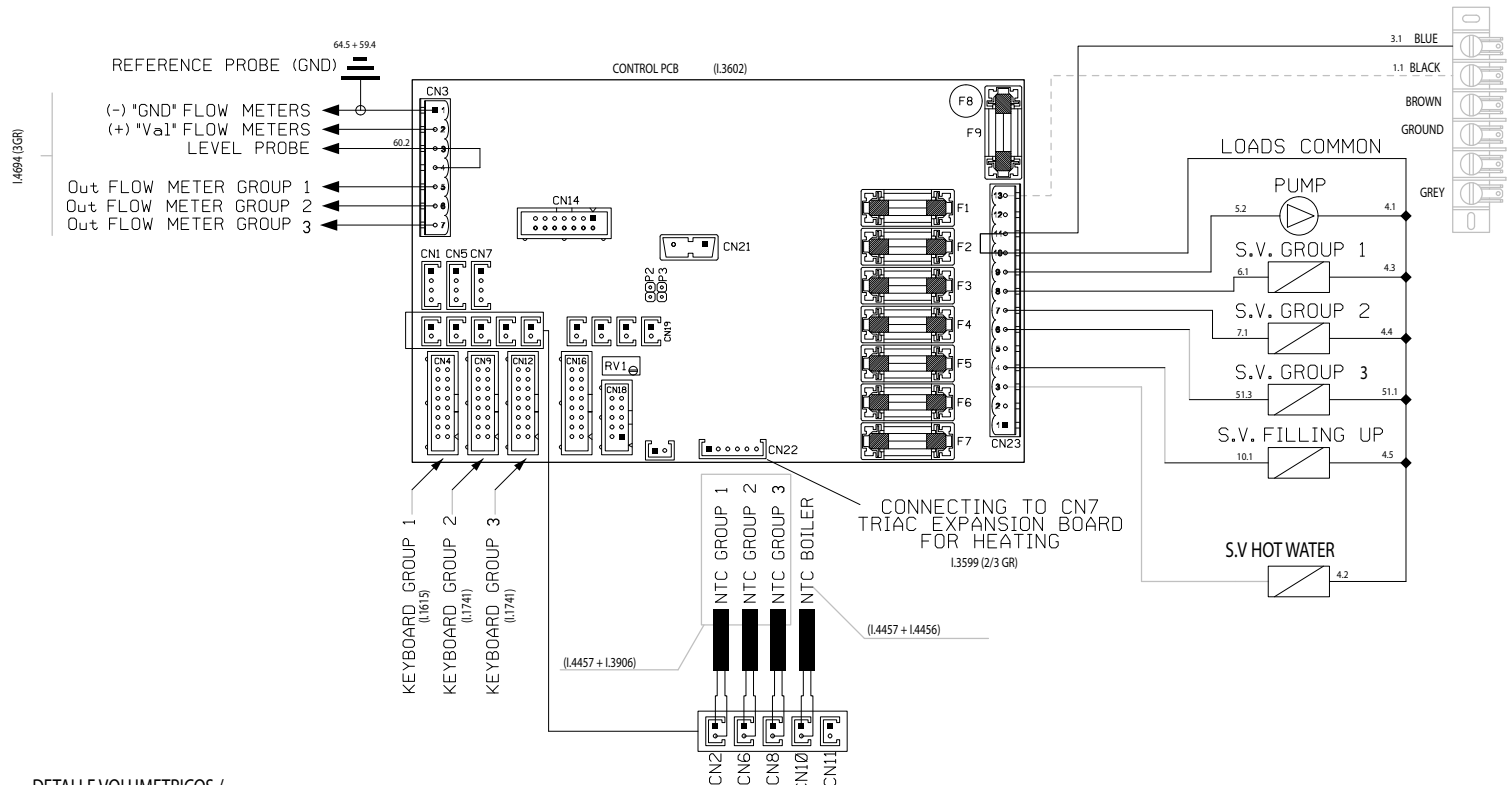




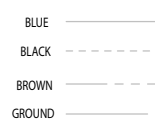
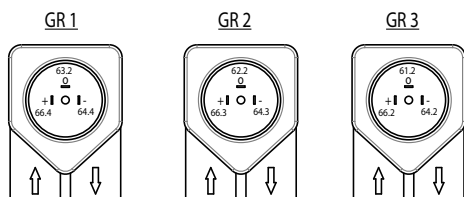
ESQUEMA ELECTRICO BDT 3GR (1-4)



ESQUEMA ELECTRICO BDT 3GR (3-4)



DETALLE VOLUMETRICOS / FLOWMETER DETAIL



# ESQUEMA ELECTRICO BDT 3GR (4-4)

