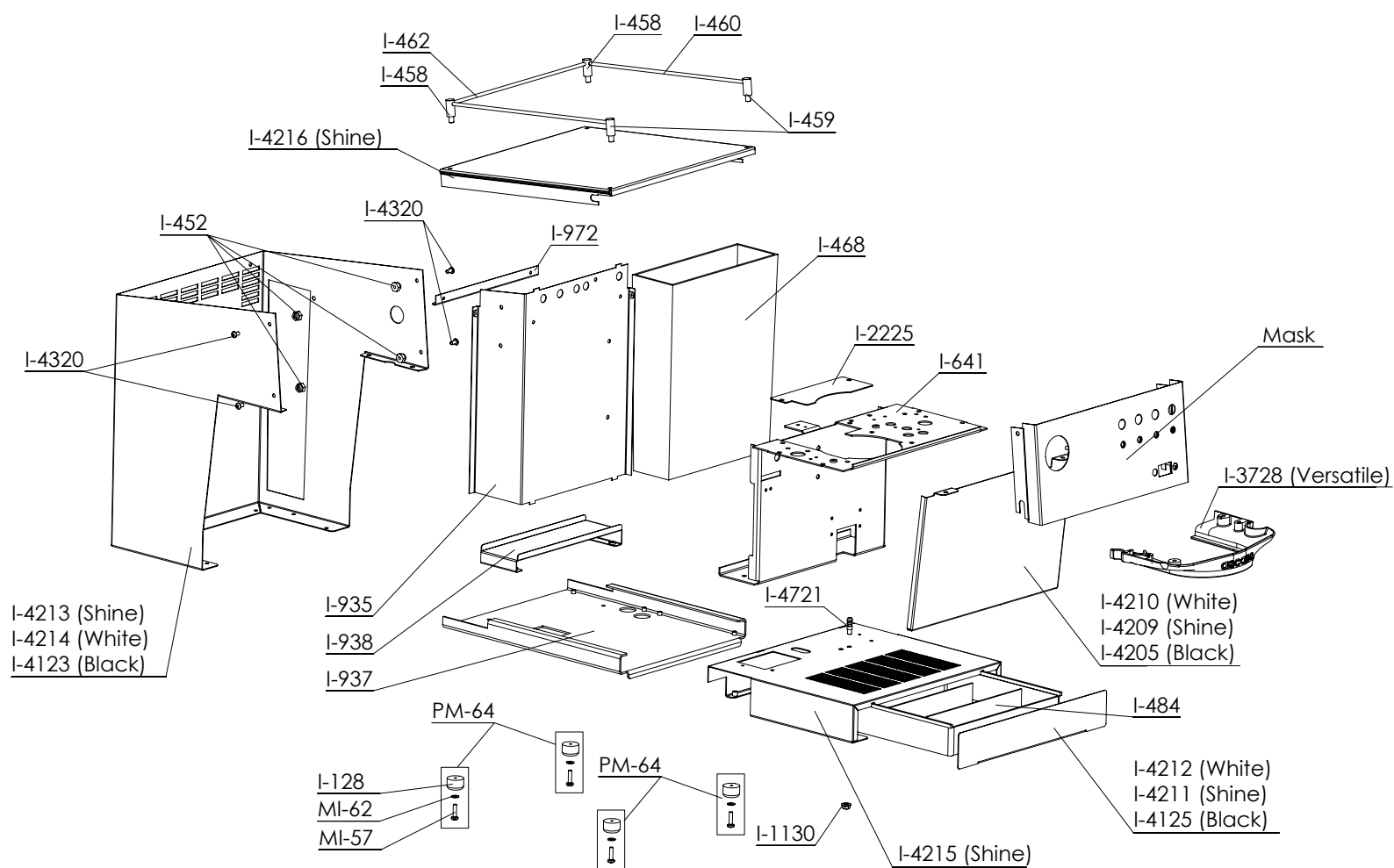
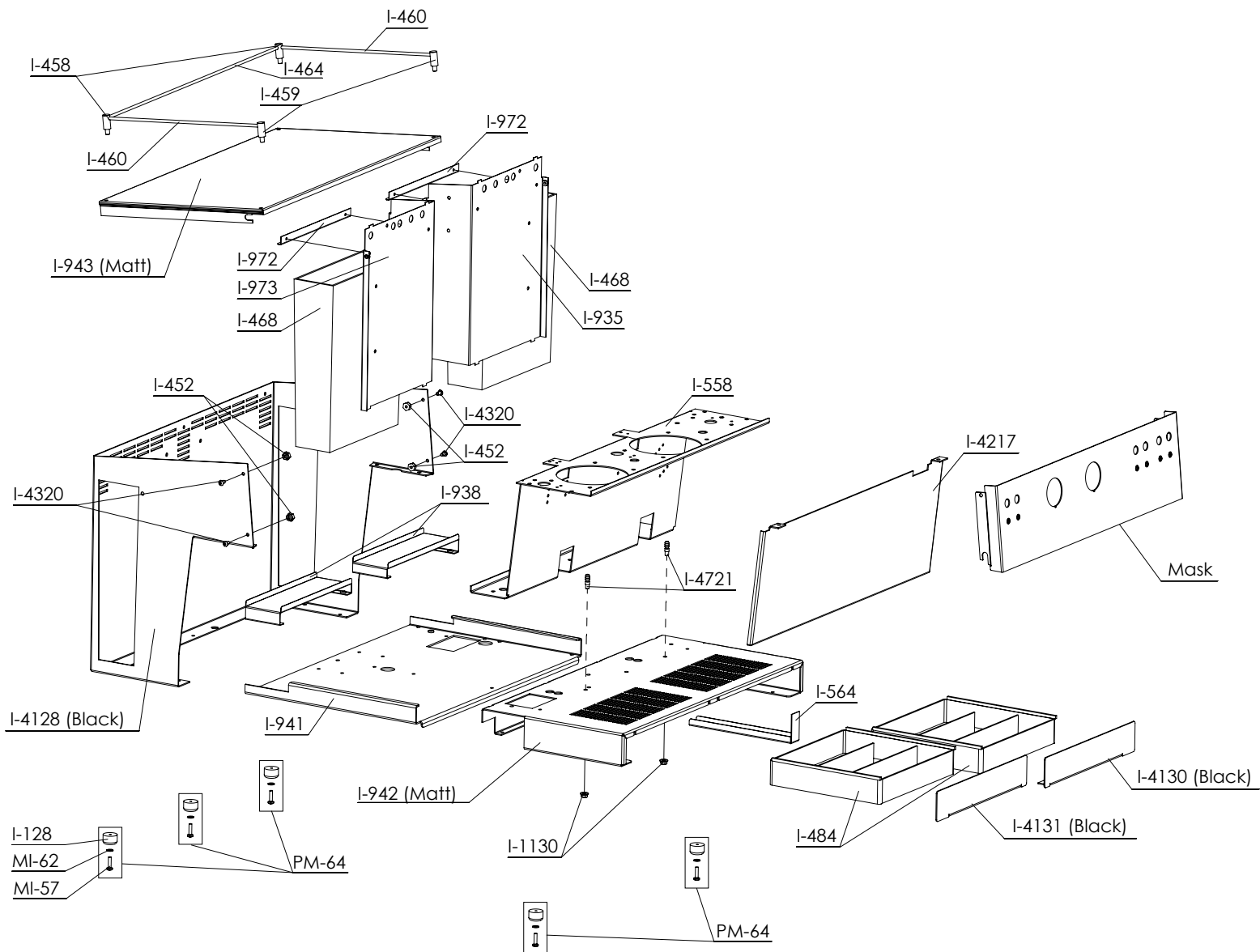




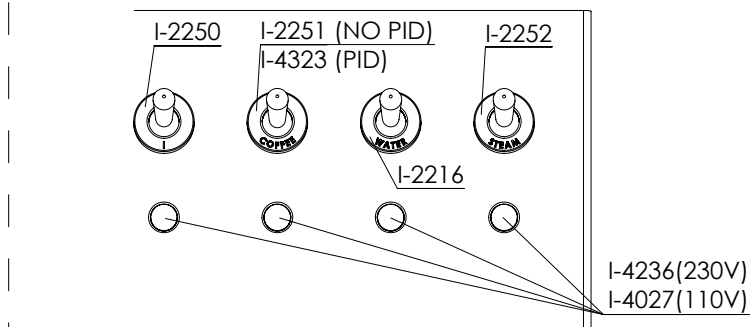
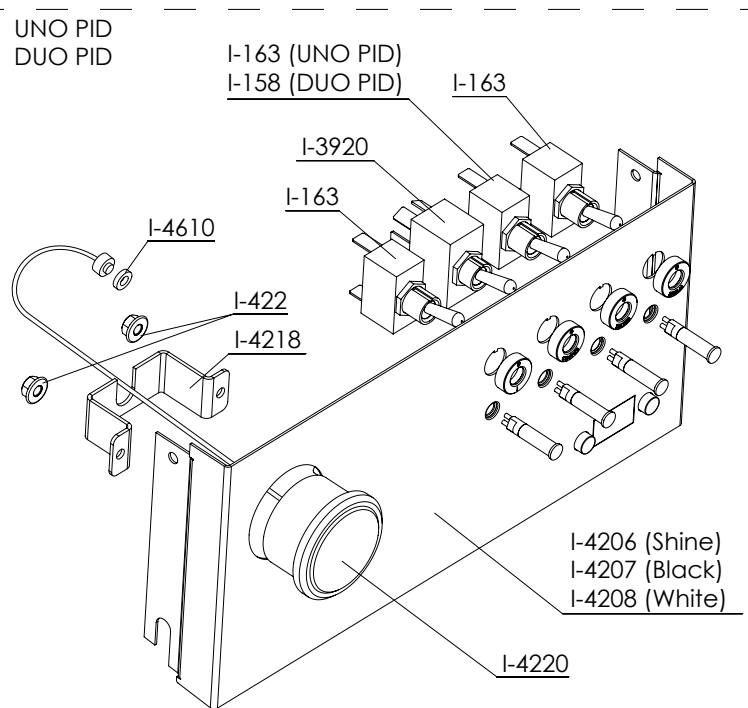
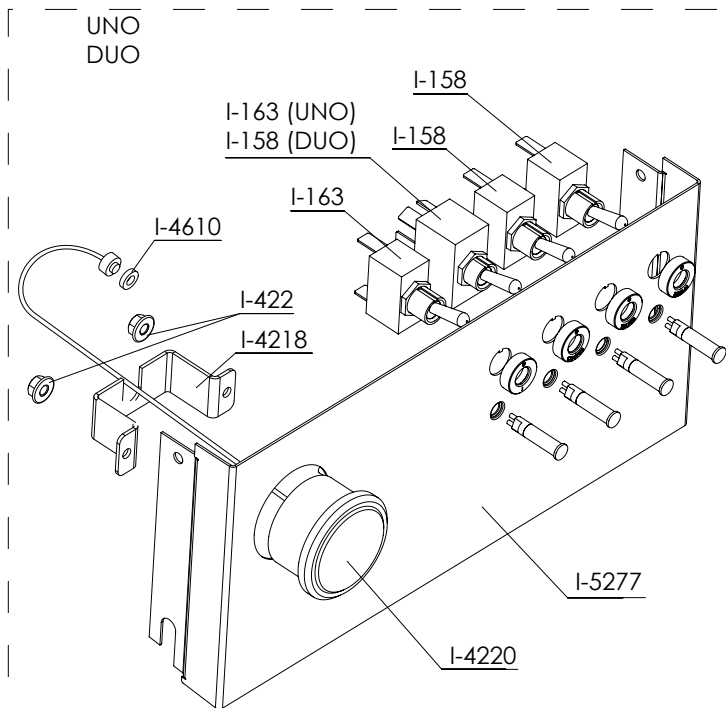
Steel Steel PID 2022



REF.	DESCRIPCIÓN	DESCRIPTION
I..128	PATA GOMA	FOOT
I..452	TUERCA SUJECION CARATULA	FRONTAL NUT
I..458	SOPORTE BARANDA CORNER	CORNER SUPPORT
I..459	SOPORTE BARANDA LINEA	SUPPORT
I..460	VARILLA LATERAL (257mm)	LATERAL BAR (257mm)
I..462	VARILLA FONDO DUO (250mm)	BACK ROD DUO
I..468	DEPOSITO STEEL (PC)	STEEL TANK (PC)
I..484	CAJON AGUA	WATER DRAWER
I..641	BASE MECANISMOS UNO DUO	DUO PROF.MECHANISME BASE
I..935	COMPARTIMENTO DEPOSITO DRCH.	PLATE TANK (RIGHT)
I..937	BASE FONDO UNO DUO	BOTTON BASE DUO DL
I..938	BASE DEPOSITO DL	TANK BASE DL
I..972	GUIA COMPARTIMENTO	GUIDE
I.1130	TUERCA CON ARANDELA DIN 6923 M5 INOX	NUT M5
I.2225	CIERRE BASE MECANISMOS STEEL PM/PF	STEEL GROUP SUPPORT ADAPTOR
I.3728	CUBREGRUPOS BARISTA T RAISED / STEEL	GROUP COVER BARISTA T RAISED/STEEL
I.4123	ENVOLVENTE UNO DUO NEGRO	UNO DUO DL ENVELOPING BLACK
I.4125	FRONTAL CAJON UNO DUO NEGRO	DRAWER FRONTAL UNO DUO BLACK
I.4205	FRONTAL INTERMEDIO STEEL UNO DUO PM/PF NEGRO	INTERMEDIATE FRONT STEEL UNO DUO PM/PF BLACK
I.4209	FRONTAL INTERMEDIO STEEL UNO DUO AISI304 BRILLO	INTERMEDIATE STEEL UNO DUO SHINE
I.4210	FRONTAL INTERMEDIO STEEL UNO DUO BLANCO	INTERMEDIATE FRONT STEEL UNO DUO WHITE
I.4211	FRONTAL CAJON UNO DUO AISI304 BRILLO	DRAWER FRONTAL UNO DUO SHINE
I.4212	FRONTAL CAJON UNO DUO BLANCO	DRAWER FRONTAL UNO DUO WHITE
I.4213	ENVOLVENTE UNO DUO AISI304 BRILLO	UNO DUO ENVELOPING SHINE AISI304
I.4214	ENVOLVENTE UNO DUO BLANCO	ENVELOPING UNO DUO WHITE
I.4215	BASE UNO DUO AISI304 BRILLO	BASE UNO DUO SHINE
I.4216	TAPA SUPERIOR UNO DUO AISI304 BRILLO	UPPER LID UNO DUOP SHINE
I.4320	TORNILLO M4x8 DIN7380 INOX A2.	SCREW M4x8 DIN7380 INOX A2.
I.4721	BOQUILLA DESCARGA STEEL	STEEL STEM
MI..57	TORNILLO M4X12	SCREW
MI..62	ARANDELA PLANA INOX	WASHER
PM..64	PATA STEEL	STEEL FOOT WHOLE

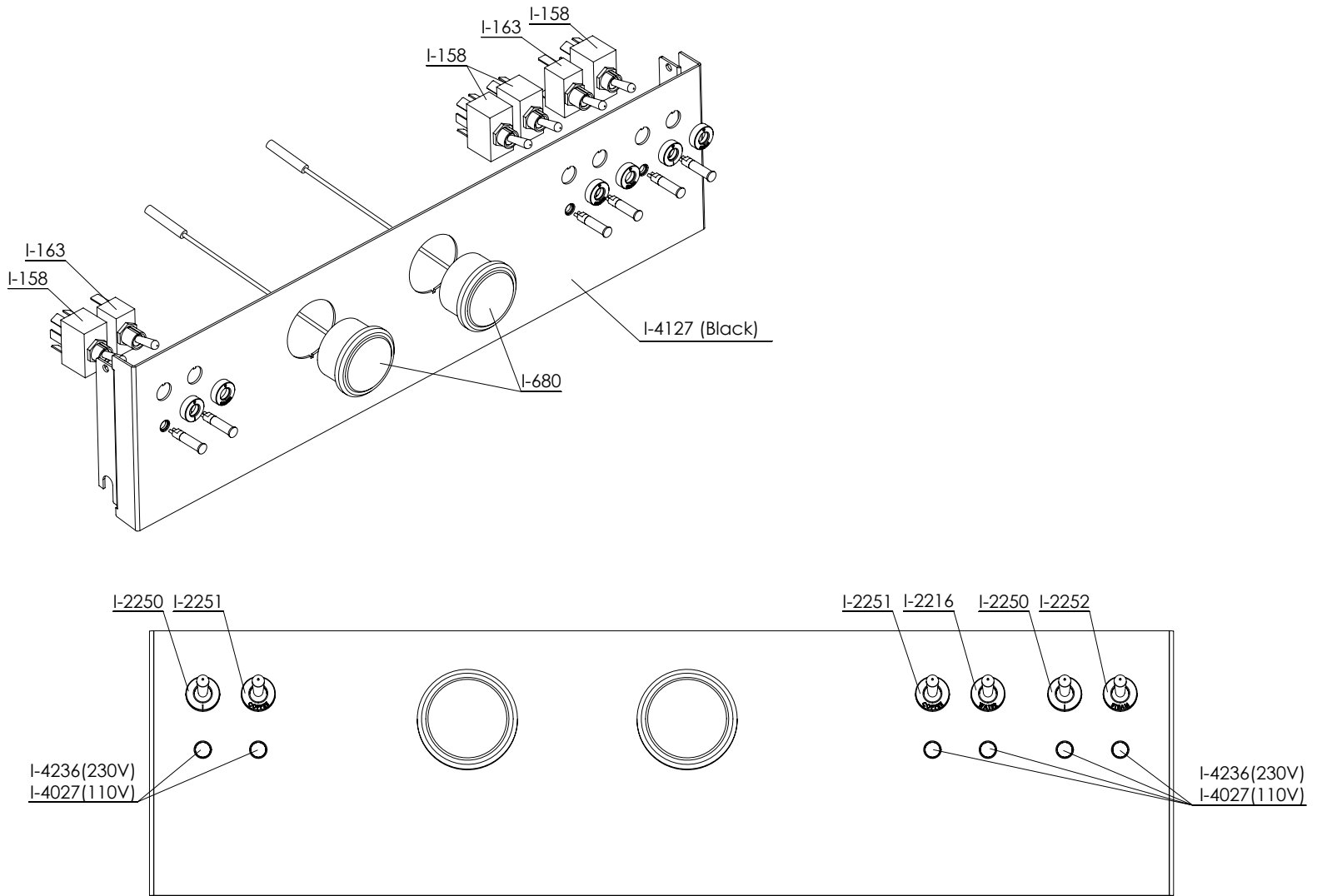


REF.	DESCRIPCIÓN	DESCRIPTION
I..128	PATA GOMA	FOOT
I..452	TUERCA SUJECION CARATULA	FRONTAL NUT
I..458	SOPORTE BARANDA CORNER	CORNER SUPPORT
I..459	SOPORTE BARANDA LINEA	SUPPORT
I..460	VARILLA LATERAL (257mm)	LATERAL BAR (257mm)
I..464	VARILLA FONDO TRIO	FRONTAL BAR TRIO
I..468	DEPOSITO STEEL (PC)	STEEL TANK (PC)
I..484	CAJON AGUA	WATER DRAWER
I..558	BASE MECANISMOS TRIO	BASE MECHANISM TRIO
I..564	GUIA CAJON BASE TRIO	DRAWER GUIDE BASE TRIO
I..935	COMPARTIMENTO DEPOSITO DRCH.	PLATE TANK (RIGHT)
I..938	BASE DEPOSITO DL	TANK BASE DL
I..941	BASE FONDO TRIO DL	BOTTON BASE TRIO DL
I..942	BASE TRIO DL	BASE TRIO DL
I..943	TAPA SUPERIOR TRIO DL	TRIO DL UPPER LID
I..972	GUIA COMPARTIMENTO	GUIDE
I..973	COMPARTIMENTO DEPOSITO IZQ.	COMPARTMENT LEFT TANK
I.1130	TUERCA CON ARANDELA DIN 6923 M5 INOX	NUT M5
I.4128	ENVOLVENTE TRIO DL NEGRO	TRIO DL ENVELOPING BLACK
I.4130	FRONTAL CAJON DRCH. TRIO NEGRO	FRONTAL RIGHT DRAWER TRIO
I.4131	FRONTAL CAJON IZQ. TRIO NEGRO	FRONTAL LEFT DRAWER TRIO BLACK
I.4217	FRONTAL INTERMEDIO TRIO NEGRO	BLACK BEAUTIFYING TRIO
I.4320	TORNILLO M4x8 DIN7380 INOX A2.	SCREW M4x8 DIN7380 INOX A2.
I.4721	BOQUILLA DESCARGA STEEL	STEEL STEM
MI..57	TORNILLO M4X12	SCREW
MI..62	ARANDELA PLANA INOX	WASHER
PM..64	PATA STEEL	STEEL FOOT WHOLE

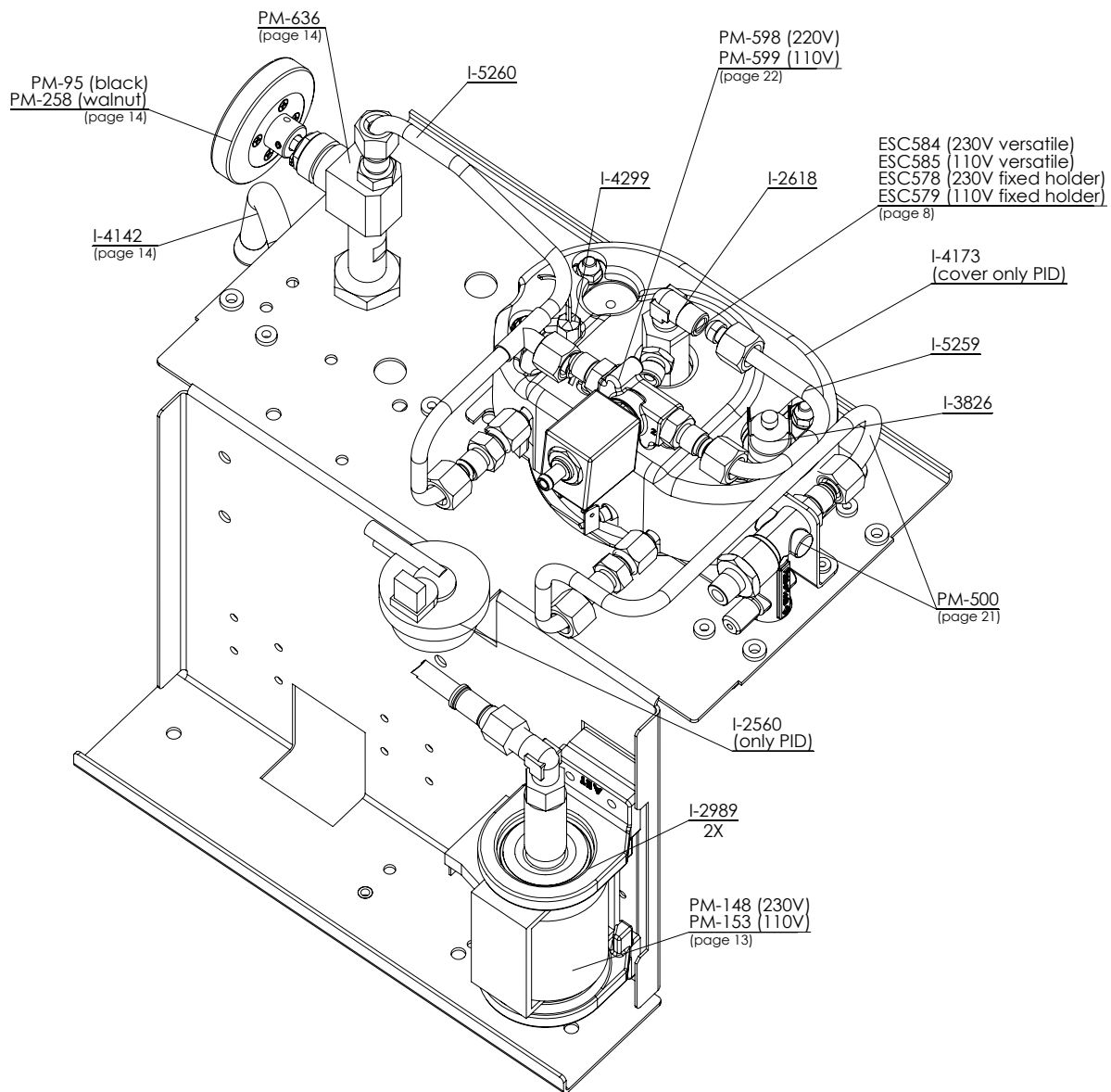


REF.	DESCRIPCIÓN
I..158	INTERRUPTOR DREAM BIPOLAR ON-OFF
I..163	INTERRUPTOR DREAM ON-ON
I..422	TUERCA CON ARANDELA M4 INOX
I.2216	TUERCA INTERRUPTOR DREAM WATER
I.2250	TUERCA INTERRUPTOR DREAM ON/OFF
I.2251	TUERCA INTERRUPTOR DREAM COFFEE
I.2252	TUERCA INTERRUPTOR DREAM STEAM
I.3920	INTERRUPTOR 3 POSICIONES DREAM/STEEL PID
I.4027	PILOTO BLANCO STEEL 125V UL
I.4206	CARATULA UNO DUO PID 2017 AISI304 BRILLO
I.4207	CARATULA UNO DUO PID 2017 NEGRO
I.4208	CARATULA UNO DUO PID 2017 BLANCO
I.4218	SOPORTE MANOMETRO STEEL PID 2017
I.4220	MANOMETRO DREAM/STEEL
I.4236	PILOTO BLANCO PID 250V
I.4323	TUERCA INTERRUPTOR DREAM/STEEL PID COFFEE
I.4610	JUNTA 8,5x4,4x2 PTFE
I.5277	CARATULA UNO/DUO MANOMETRO NEGRA

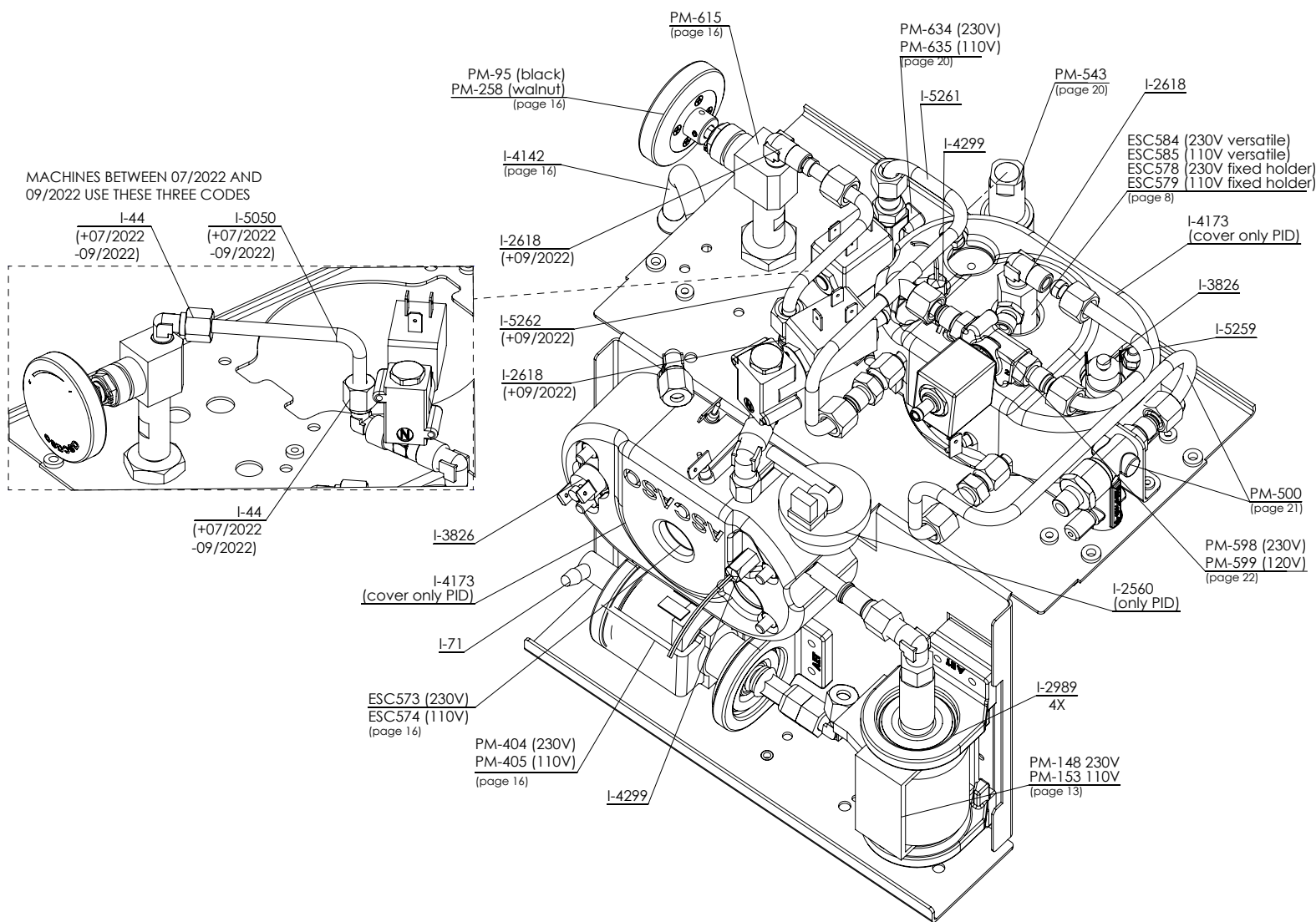
DESCRIPTION
ON-OFF BIP. SWITCH
DREAM ON-ON SWITCH
M4 NUT WITH WASHER
DREAM SWITCH NUT - WATER
SWITCH DREAM NUT ON/OFF
SWITCH DREAM NUT COFFEE
SWITCH DREAM NUT STEAM
COFFEE SWITCH STEEL TRONIC 2016
WHITE PILOT LIGHT STEEL 110V UL
FRONTAL UNO DUO PID 2017 SHINE
FRONTAL UNO DUO PID 2017 BLACK
FRONTAL UNO DUO PID 2017 WHITE
MANOMETER BRACKET STEEL PID 2017
MANOMETER DREAM/STEEL
PILOT WHITE STEEL 250V
SWITCH DREAM PID NUT 1COFFEE-2COFFEE
GASKET 8,5x4,4x2 PTFE
MASK UNO/DUO PRESSURE GAUGE BLACK



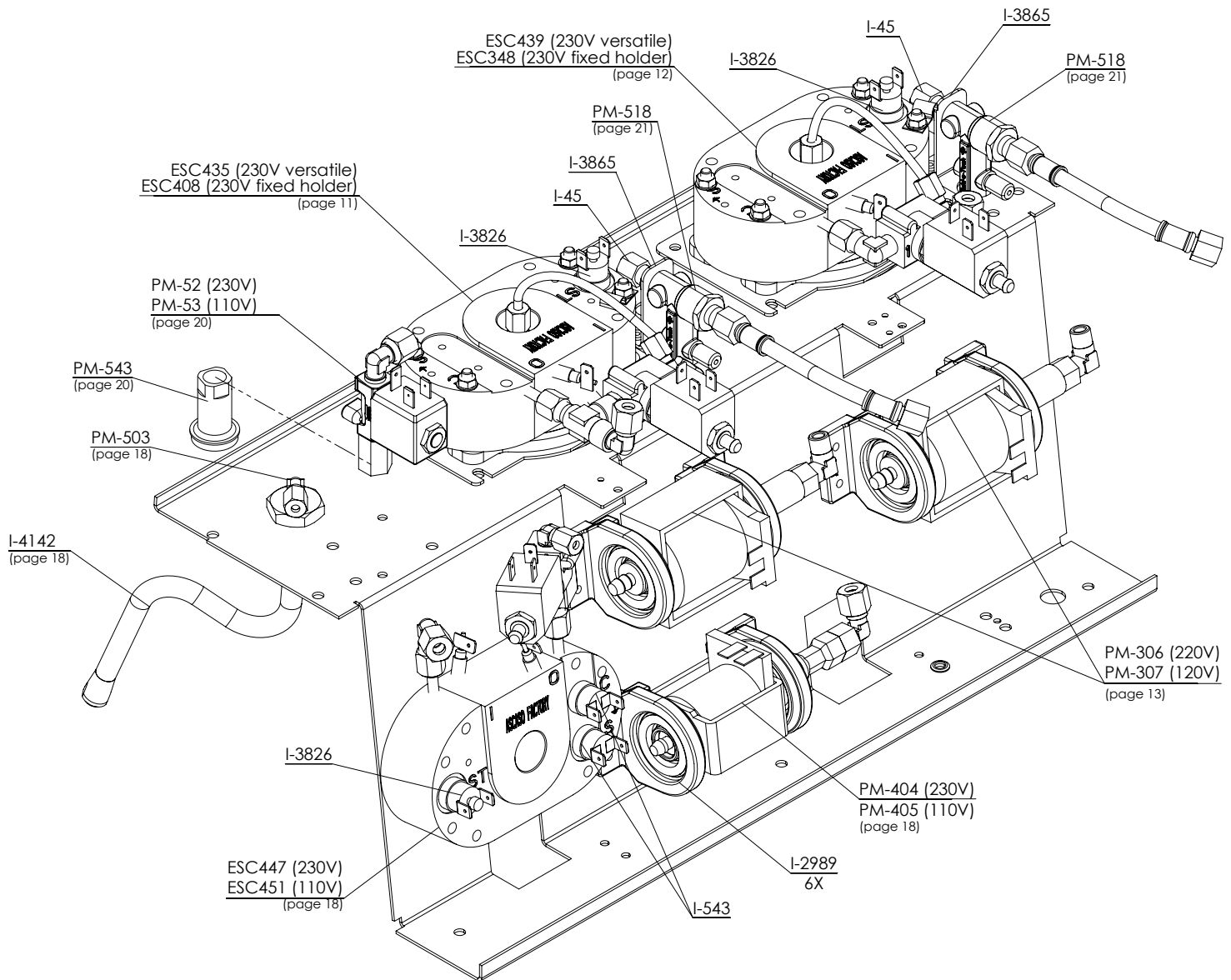
REF.	DESCRIPCIÓN	DESCRIPTION
I.158	INTERRUPTOR DREAM BIPOLAR ON-OFF	ON-OFF BIP. SWITCH
I.163	INTERRUPTOR DREAM ON-ON	DREAM ON-ON SWITCH
I.680	TERMOMETRO STEEL	STEEL THERMOMETER
I.2216	TUERCA INTERRUPTOR DREAM WATER	DREAM SWITCH NUT - WATER
I.2250	TUERCA INTERRUPTOR DREAM ON/OFF	SWITCH DREAM NUT ON/OFF
I.2251	TUERCA INTERRUPTOR DREAM COFFEE	SWITCH DREAM NUT COFFEE
I.2252	TUERCA INTERRUPTOR DREAM STEAM	SWITCH DREAM NUT STEAM
I.4027	PILOTO BLANCO STEEL 125V UL	WHITE PILOT LIGHT STEEL 110V UL
I.4127	FRONTAL INTERMEDIO TRIO NEGRO	INTERMEDIATE FRONTAL TRIO BLACK
I.4236	PILOTO BLANCO PID 250V	PILOT WHITE STEEL 250V



REF.	DESCRIPCIÓN	DESCRIPTION
ESC578	GRUPO INTERCAMBIADOR INOX STEEL UNO/DUO PID PF 230V 2022	STEEL UNO/DUO PID THERMOBLOCK ASSY PF 230V 2022
ESC579	GRUPO INTERCAMBIADOR INOX STEEL UNO/DUO PID PF 110V 2022	STEEL UNO/DUO PID THERMOBLOCK ASSY PF 110V 2022
ESC584	GRUPO INTERCAMBIADOR INOX STEEL UNO/DUO PID 230V 2022	STEEL UNO/DUO PID THERMOBLOCK ASSY 230V 2022
ESC585	GRUPO INTERCAMBIADOR INOX STEEL UNO/DUO PID 110V 2022	STEEL UNO/DUO PID THERMOBLOCK ASSY 110V 2022
I.2560	CONTADOR VOLUMETRICO FHKSC	DIGMESA FLOWMETER
I.2618	RACOR CODO 1/8 M-M INOX	ELBOW FITTING 1/8 M-M INOX (old I.90)
I.2989	SILENT BLOCK BOMBA	PUMP SILENT BLOCK
I.3826	TERMOSTATO SEGURIDAD 215°	SAFETY THERMOSTAT 215°
I.4142	TUBO VAPOR MD STEEL UNO/DUO PROF PTFE D.10mm	UNO/DUO PROF PIPE PTFE D.10mm
I.4173	FUNDA TERMICA INTECAMBIADOR INOX.	THERMOBLOCK THERMAL CASE
I.4299	SONDA TEMPERATURA INOX PID (M4) 2017	INOX PID TEMPERATURE PROBE (M4) 2017
I.5259	TUBO COBRE SALIDA CAFE STEEL	STEEL COFFEE OUTLET COPPER PIPE
I.5260	TUBO COBRE DISTRIBUIDOR UNO	UNO DISTRIBUTION COPPER PIPE
PM..95	POMO NEGRO	BLACK HANDLE
PM.148	BOMBA UNO/DUO PROF/TRONIC 230V	UNO/DUO PROF/TRONIC 230V PUMP
PM.153	BOMBA UNO/DUO PROF/TRONIC 120V	PUMP STEEL PROF 120V
PM.258	POMO VAPOR MADERA DREAM COMPLETO NOGAL	SET STEAM TAP WALNUT WOOD DREAM
PM.500	CONJUNTO OPV STEEL UNO/DUO	OPV STEEL ASSEMBLY
PM.598	CONJUNTO EV DREAM 230V 2022	SOLENOID DREAM 230V 2022
PM.599	CONJUNTO EV DREAM 120V 2022	SOLENIOD DREAM 120V 2022
PM.636	CONJUNTO GRIFO UNO PROF 2022	TAP UNO PROF 2022

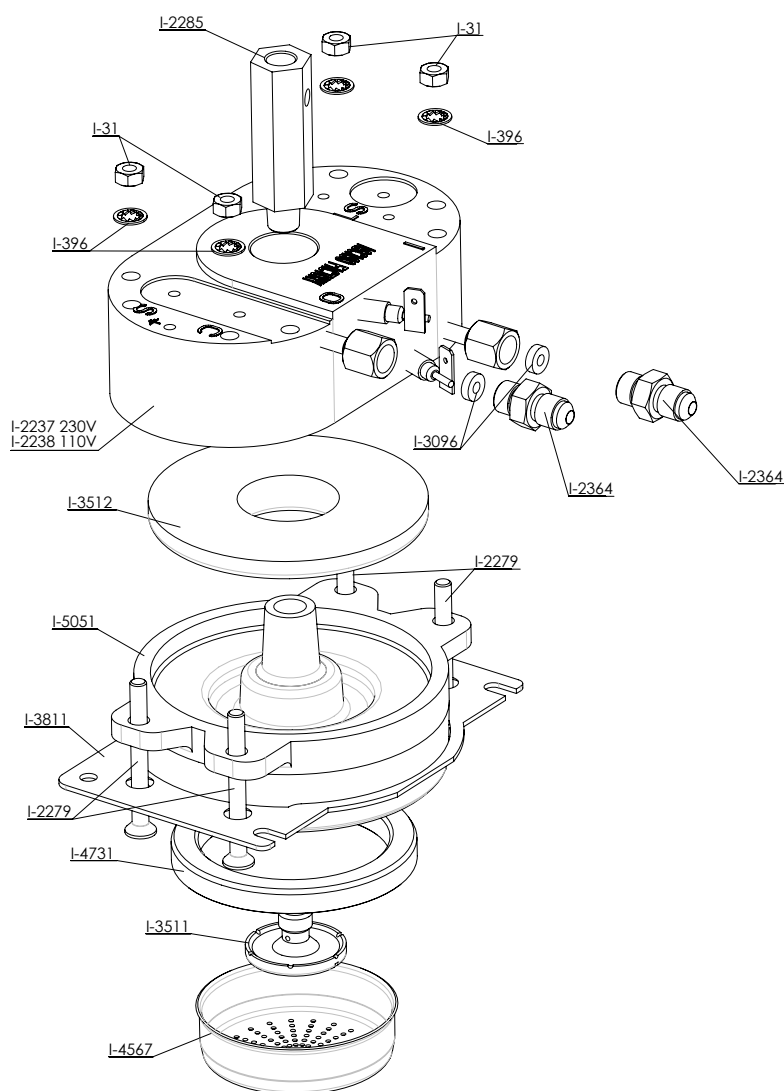


REF.	DESCRIPCIÓN	DESCRIPTION
ESC573	GRUPO VAPOR DUO PID 230V	DUO PID 230V STEAM GROUP
ESC574	GRUPO VAPOR DUO PID 110V	DUO PID 110V STEAM GROUP
ESC578	GRUPO INTERCAMBIADOR INOX STEEL UNO/DUO PID PF 230V 2022	STEEL UNO/DUO PID THERMOBLOCK ASSY PF 230V 2022
ESC579	GRUPO INTERCAMBIADOR INOX STEEL UNO/DUO PID PF 110V 2022	STEEL UNO/DUO PID THERMOBLOCK ASSY PF 110V 2022
ESC584	GRUPO INTERCAMBIADOR INOX STEEL UNO/DUO PID 230V 2022	STEEL UNO/DUO PID THERMOBLOCK ASSY 230V 2022
ESC585	GRUPO INTERCAMBIADOR INOX STEEL UNO/DUO PID 110V 2022	STEEL UNO/DUO PID THERMOBLOCK ASSY 110V 2022
I...44	RACOR CODO	RL BOIX FITTING
I...71	PIPETA ASPIRACION	90° FITTING
I.2560	CONTADOR VOLUMETRICO FHKSC	DIGMESA FLOWMETER
I.2618	RACOR CODO 1/8 M-M INOX	ELBOW FITTING 1/8 M-M INOX (old I.90)
I.2989	SILENT BLOCK BOMBA	PUMP SILENT BLOCK
I.3826	TERMOSTATO SEGURIDAD 215°	SAFETY THERMOSTAT 215°
I.4142	TUBO VAPOR MD STEEL UNO/DUO PROF PTFE D.10mm	UNO/DUO PROF PIPE PTFE D.10mm
I.4173	FUNDA TERMICA INTECAMBIADOR INOX.	THERMOBLOCK THERMAL CASE
I.4299	SONDA TEMPERATURA INOX PID (M4) 2017	INOX PID TEMPERATURE PROBE (M4) 2017
I.5050	TUBO COBRE VAPOR DUO SENCILLO	DUO STEAM COPPER PIPE
I.5259	TUBO COBRE SALIDA CAFE STEEL	STEEL COFFEE OUTLET COPPER PIPE
I.5261	TUBO COBRE DISTRIBUIDOR DUO	DUO DISTRIBUTOR COPPER PIPE
I.5262	TUBO COBRE VAPOR DUO	DUO STEAM COPPER PIPE
PM..95	POMO NEGRO	BLACK HANDLE
PM.148	BOMBA UNO/DUO PROF/TRONIC 230V	UNO/DUO PROF/TRONIC 230V PUMP
PM.153	BOMBA UNO/DUO PROF/TRONIC 120V	PUMP STEEL PROF 120V
PM.258	POMO VAPOR MADERA DREAM COMPLETO NOGAL	SET STEAM TAP WALNUT WOOD DREAM
PM.404	BOMBA VAPOR DUO / DUO PID 230V	STEAM PUMP WHOLE DUO / DUO PID 230V
PM.405	BOMBA VAPOR DUO / DUO PID 110V	STEAM PUMP WHOLE DUO / DUO PID 110V
PM.500	CONJUNTO OPV STEEL UNO/DUO	OPV STEEL ASSEMBLY
PM.543	CONJUNTO SALIDA AGUA + ATOMIZADOR	WATER OUTLET SET + ATOMIZER
PM.598	CONJUNTO EV DREAM 230V 2022	SOLENOID DREAM 230V 2022
PM.599	CONJUNTO EV DREAM 120V 2022	SOLENIOD DREAM 120V 2022
PM.615	CONJUNTO GRIFO DUO PROF 2022	TAP DUO PROF 2022
PM.634	ELECTROVALVULA AGUA DUO PROF 230V 2022	230V PROF WATER SOLENOID VALVE WHOLE 2022
PM.635	ELECTROVALVULA AGUA DUO PROF 110V 2022	110V PROF WATER SOLENOID VALVE WHOLE 2022

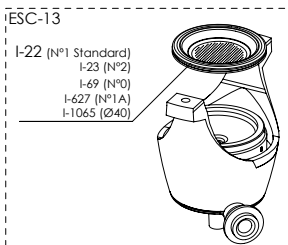
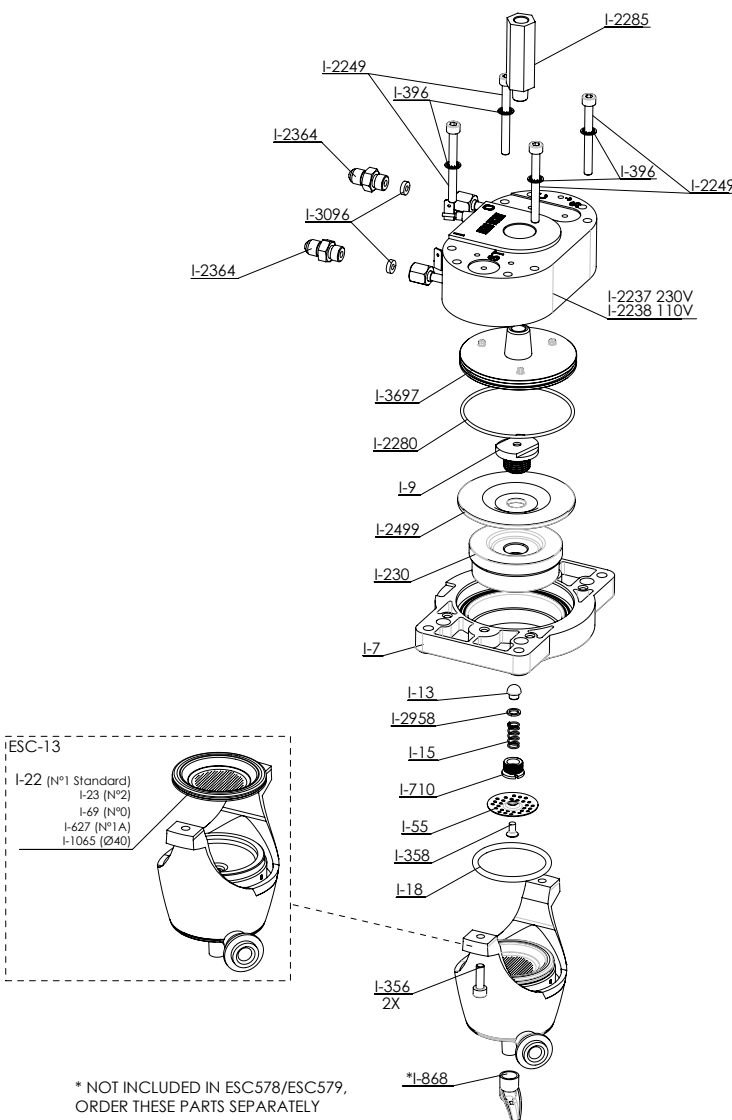


REF.	DESCRIPCIÓN	DESCRIPTION
ESC348	GRUPO INTERCAMBIADOR INOX IZQUIERDO TRIO PF 230V	GROUP THERM. INOX LEFT TRIO PF 230V
ESC408	GRUPO INTERCAMBIADOR INOX TRIO DRCH PF 230V	GROUP THERM. INOX TRIO RIGHT PF 230V
ESC435	GRUPO INTERCAMBIADOR INOX STEEL TRIO PROF 230V 2016	GROUP THERM. INOX STEEL DUO PROF 230V 2016
ESC439	GRUPO INTERCAMBIADOR STEEL TRIO PROF 230V 2017	GROUP THERMOBLOCK STEEL TRIO PROF 230V 2017
ESC447	GRUPO INTERCAMBIADOR INOX VAPOR DUO PID 230V	STAINLESS STEEL INTER. DUO PID 230V
ESC451	GRUPO INTERCAMBIADOR INOX VAPOR DUO PID 110V	STEAM DUO PID THERMOBLOCK ASSY 110V 2017
I...45	RACOR RECTO	STRAIGHT FITTING
I..543	TERMOSTATO 165° CERAMICO	165° CERAMIC THERMOSTAT
I.2989	SILENT BLOCK BOMBA	PUMP SILENT BLOCK
I.3826	TERMOSTATO SEGURIDAD 215°	SAFETY THERMOSTAT 215°
I.3865	SOPORTE OPV STEEL UNO/DUO	SUPPORT OPV STEEL UNO/DUO
I.4142	TUBO VAPOR MD STEEL UNO/DUO PROF PTFE D.10mm	UNO/DUO PROF PIPE PTFE D.10mm
PM..52	ELECTROVALVULA AGUA DUO PROF 230V	230V PROF WATER SOLENOID VALVE WHOLE
PM..53	ELECTROVALVULA AGUA DUO PROF 110V	110V PROF WATER SOLENOID VALVE WHOLE
PM.306	BOMBA TRIO PROF/TRONIC 220V 2017	220V TRIO PROF/TRONIC PUMP 2017
PM.307	BOMBA TRIO PROF/TRONIC 120V 2017	120V TRIO PROF/TRONIC PUMP 2017
PM.404	BOMBA VAPOR DUO / DUO PID 230V	STEAM PUMP WHOLE DUO / DUO PID 230V
PM.405	BOMBA VAPOR DUO / DUO PID 110V	STEAM PUMP WHOLE DUO / DUO PID 110V
PM.503	CONJUNTO LANZA VAPOR DUO PROF PID 2020	HEAT PIPE DUO PROF PID 2020
PM.518	CONJUNTO OPV STEEL TRIO	STEEL TRIO OPV ASSEMBLY
PM.543	CONJUNTO SALIDA AGUA + ATOMIZADOR	WATER OUTLET SET + ATOMIZER

ESC584 - VERSATILE 230V
ESC585 - VERSATILE 110V



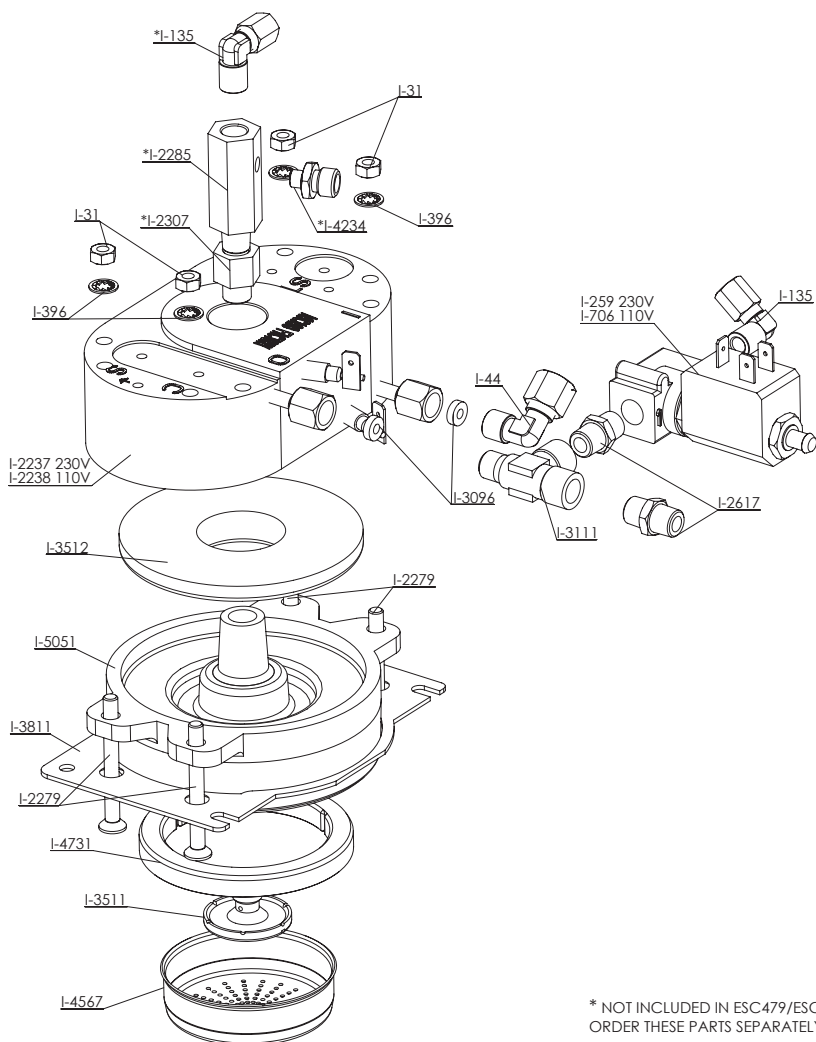
ESC578 - FIXED HOLDER 230V
ESC579 - FIXED HOLDER 110V



* NOT INCLUDED IN ESC.578/ESC.579,
ORDER THESE PARTS SEPARATELY

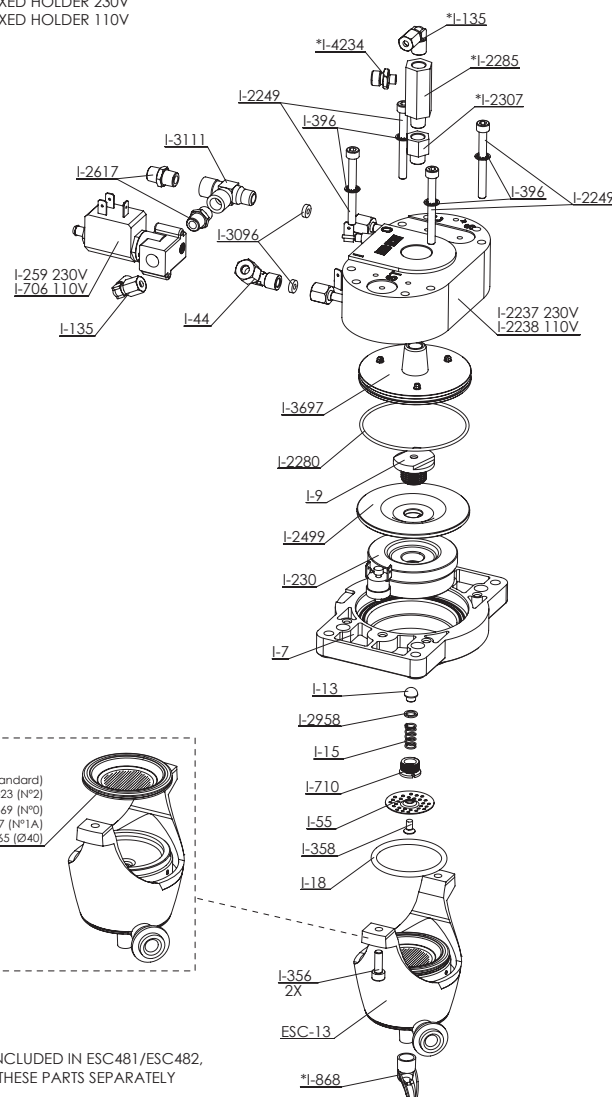
REF.	DESCRIPCIÓN	DESCRIPTION
ESC.13	CONJUNTO CALIZ COMPLETO	LIMESTONE COMPLETE SET
ESC578	GRUPO INTERCAMBIADOR INOX STEEL UNO/DUO PID PF 230V 2022	STEEL UNO/DUO PID THERMOBLOCK ASSY PF 230V 2022
ESC579	GRUPO INTERCAMBIADOR INOX STEEL UNO/DUO PID PF 110V 2022	STEEL UNO/DUO PID THERMOBLOCK ASSY PF 110V 2022
ESC584	GRUPO INTERCAMBIADOR INOX STEEL UNO/DUO PID 230V 2022	STEEL UNO/DUO PID THERMOBLOCK ASSY 230V 2022
ESC585	GRUPO INTERCAMBIADOR INOX STEEL UNO/DUO PID 110V 2022	STEEL UNO/DUO PID THERMOBLOCK ASSY 110V 2022
I...7	CAMARA DE COMPRESION	COMPRESSION CHAMBER
I...9	CUERPO VALVULA RETENCION	RETENTION VALVE BODY
I...13	VALVULA SILICONA	SILICONE VALVE
I...15	MUELLE VALVULA RETENCION	SPRING
I...18	JUNTA CIALDA GRUPO	SILICONE RING
I...22	CACILLO CIALDA Nº1	Nº1 POD FILTER
I...23	CACILLO CIALDA Nº2	Nº2 POD FILTER
I...31	TUERCA M5 INOX	M5 NUT SS
I...55	DUCHA	SHOWER
I...69	CACILLO CIALDA Nº0	Nº0 FILTER
I..230	EMBOLO ALUMINIO	PISTON WITH SHOWER
I..356	TORNILLO ALLEN M5x15 INOX	ALLEN SCREW
I..358	TORNILLO PORTADUCHA M4 INOX	M4 SCREW
I..396	ARANDELA DENTADA M5 INOX	WASHER
I..627	CACILLO CIALDA Nº1 A	POD FILTER 1A
I..710	TUERCA VALVULA RETENCION CON DUCHA	NUT
I..868	SALIDA CAFE PLASTICO PF	COFFEE SPOUT 1 WAY PLASTIC
I.1065	CACILLO R101 MOKADOR	FILTER R101 MOKADOR
I.2237	INTERCAMBIADOR INOX. 230V	THERMOBLOCK INOX. 230V (INCLUDE 2xI.3096)
I.2238	INTERCAMBIADOR INOX. 1000W 120V (INCLUIR 2xI.3096)	THERMOBLOCK INOX. 1000W 120V (INCLUDE 2xI.3096)
I.2249	TORNILLO ALLEN M5X50 DIN912 INOX	SCREW
I.2279	TORNILLO M5X50 DIN7991 A-4 80 INOX	SCREW M5X50 DIN7991 A-2 SS
I.2280	JUNTA TORICA 68x2 SILICONA	O-RING 68x2 SILICONA
I.2285	RACOR CONEXION GRIFO	FITTING
I.2364	RACOR CONTADOR VOLUMETRICO 1/8"-1/8" INOX	FITTING VOLUMETRIC CONTROL 1/8"-1/8"
I.2499	MEMBRANA GRUPO BAR KAP/PORTA FIJO	SILICONE MEMBRANE BAR KAP/FIX FILTER H. GROUP
I.2958	ARANDELA APOYO	WASHER
I.3096	JUNTA INTERCAMBIADOR	HEAT EXCHANGER GASKET
I.3511	ROCIADOR GRUPO PROF. 2016	SPRAY GROUP PROF. 2016
I.3512	POSTIZO CAMPANA PROF. 2016	BELL PROF. 2016 SUPPLEMENT
I.3697	TAPA NUEVO INTERCAMBIADOR LATÓN	LID
I.3811	CHAPA SOPORTE GRUPO PROF 2016	GROUP PROF 2016 SUPPORT SHEET
I.4567	DUCHA SIMPLE 60 MM	SIMPLE SHOWER 60 MM
I.4731	JUNTA PORTAFILTROS 7.8mm	FILTERHOLDER GASKET 7.8mm
I.5051	CAMPANA PROF. 2020	BELL PROF. 2020

ESC479 - VERSATILE 230V
ESC480 - VERSATILE 110V



* NOT INCLUDED IN ESC479/ESC480,
ORDER THESE PARTS SEPARATELY

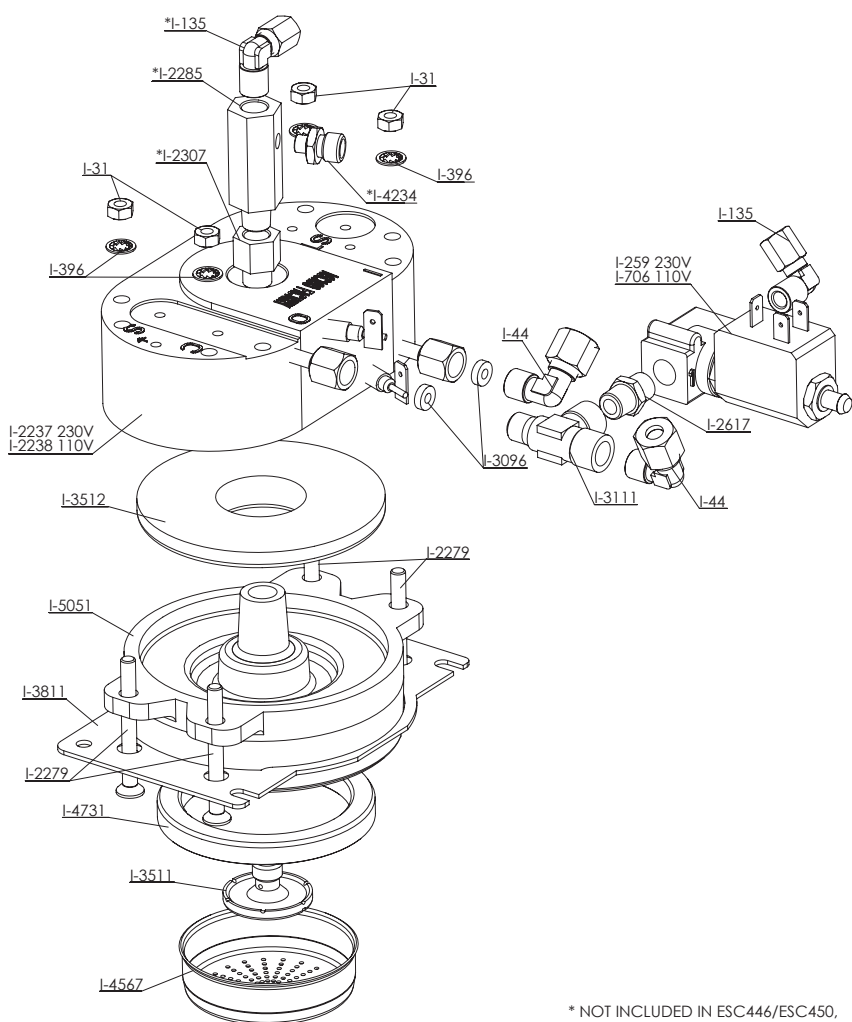
ESC481 - FIXED HOLDER 230V
ESC482 - FIXED HOLDER 110V



* NOT INCLUDED IN ESC481/ESC482,
ORDER THESE PARTS SEPARATELY

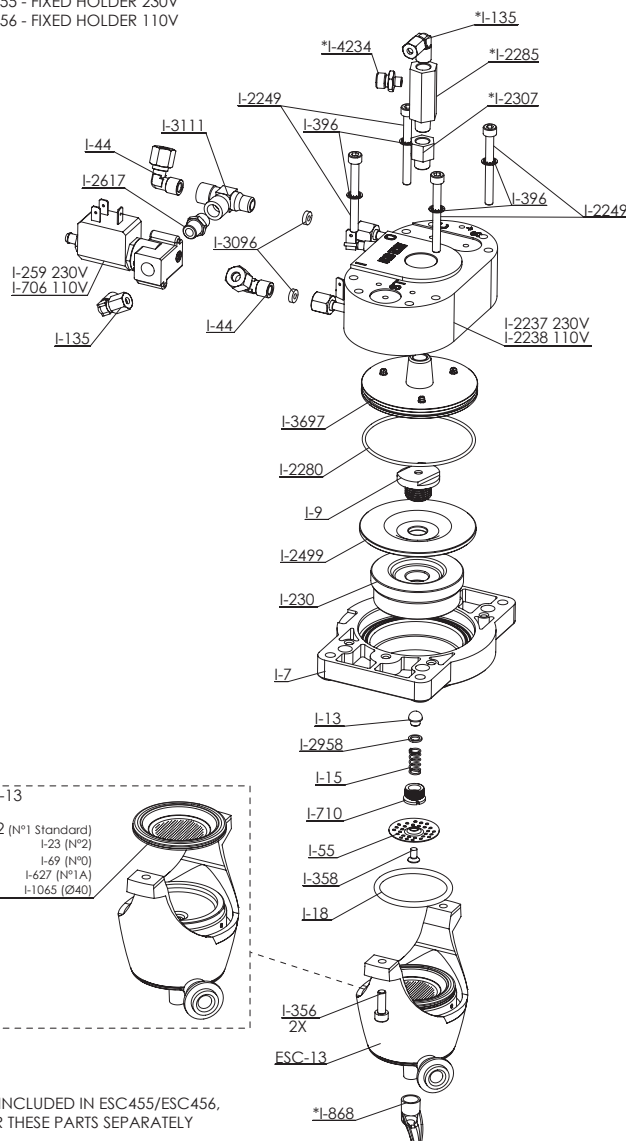
REF.	DESCRIPCIÓN	DESCRIPTION
ESC.13	CONJUNTO CALIZ COMPLETO	LIMESTONE COMPLETE SET
ESC479	GRUPO INTERCAMBIADOR INOX STEEL UNO PID 230V 2018	STEEL UNO PID THERMOBLOCK ASSY 230V 2018
ESC480	GRUPO INTERCAMBIADOR INOX STEEL UNO PID 110V 2018	STEEL UNO PID THERMOBLOCK ASSY 110V 2018
ESC481	GRUPO INTERCAMBIADOR STEEL UNO PF PID 230V 2018	STEEL UNO FF PID THERMOBLOCK ASSY 230V 2018
ESC482	GRUPO INTERCAMBIADOR STEEL UNO PF PID 110V 2018	STEEL UNO FF PID THERMOBLOCK ASSY 110V 2018
I....7	CAMARA DE COMPRESION	COMPRESSION CHAMBER
I....9	CUERPO VALVULA RETENCION	RETENTION VALVE BODY
I...13	VALVULA SILICONA	SILICONE VALVE
I...15	MUELLE VALVULA RETENCION	SPRING
I...18	JUNTA CIALDA GRUPO	SILICONE RING
I...22	CACILLO CIALDA N°1	N°1 POD FILTER
I...23	CACILLO CIALDA N°2	N°2 POD FILTER
I...31	TUERCA M5 INOX	M5 NUT SS
I...44	RACOR CODO	RL BOIX FITTING
I...55	DUCHA	SHOWER
I...69	CACILLO CIALDA N°0	N°0 FILTER
I.135	RACOR CODO 13280 4 1/8	ELBOW FITTING
I.230	EMBOLO ALUMINIO	PISTON WITH SHOWER
I.259	ELECTROV. 3 VIAS PASO 1.2 230V 1/8-1/8 0-15BAR	3 WAY SOLENOID
I.356	TORNILLO ALLEN M5x15 INOX	ALLEN SCREW
I.358	TORNILLO PORTADUCHA M4 INOX	M4 SCREW
I.396	ARANDELA DENTADA M5 INOX	WASHER
I.627	CACILLO CIALDA N°1 A	POD FILTER 1A
I.706	ELECTROVALVULA 3 VIAS PASO 1.2 120V 1/8-1/8 0-15BAR	120V 3 WAYS SOLENOID
I.710	TUERCA VALVULA RETENCION CON DUCHA	NUT
I.868	SALIDA CAFE PLASTICO PF	COFFEE SPOUT 1 WAY PLASTIC
I.952	TUBO TEFLON 2X4 (140mm)	2x4 (140mm) TEFLON PIPE
I.1065	CACILLO R101 MOKADOR	FILTER R101 MOKADOR
I.1263	TUERCA BICONO 4	BICONE NUT 4
I.1264	BICONO 4mm	BICONE 4
I.2237	INTERCAMBIADOR INOX. 230V	THERMOBLOCK INOX. 230V (INCLUDE 2xI.3096)
I.2238	INTERCAMBIADOR INOX. 1000W 120V (INCLUIR 2xI.3096)	THERMOBLOCK INOX. 1000W 120V (INCLUDE 2xI.3096)
I.2249	TORNILLO ALLEN M5X50 DIN912 INOX	SCREW
I.2279	TORNILLO M5X50 DIN7991 A-4 80 INOX	SCREW M5X50 DIN7991 A-2 SS
I.2280	JUNTA TORICA 68x2 SILICONA	O-RING 68x2 SILICONA
I.2285	RACOR CONEXION GRIFO	FITTING
I.2307	PROLONGACION GRUPO BASIC	BASIC COFFEE GROUP EXTENSION
I.2499	MEMBRANA GRUPO BAR KAP/PORTA FIJO	SILICONE MEMBRANE BAR KAP/FIX FILTER H. GROUP
I.2617	CONECTOR RECTO 1/8 M-M INOX	STRAIGHT CONNECTOR 1/8 M-M INOX
I.2958	ARANDELA APOYO	WASHER
I.3096	JUNTA INTERCAMBIADOR	HEAT EXCHANGER GASKET
I.3111	RACOR T 1/8 H-H-M	FITTING T 1/8 H-H-M
I.3511	ROCIADOR GRUPO PROF. 2016	SPRAY GROUP PROF. 2016
I.3512	POSTIZO CAMPANA PROF. 2016	BELL PROF. 2016 SUPPLEMENT
I.3514	RACOR CONEXION SOLO CAFE	FITTING
I.3697	TAPA NUEVO INTERCAMBIADOR LATÓN	LID
I.3811	CHAPA SOPORTE GRUPO PROF 2016	GROUP PROF 2016 SUPPORT SHEET
I.4234	RACOR CONEXION INTERCAMBIADOR-MANOMETRO M6 1/8	RACOR CONNECTION THERMOBLOCK-MANOMETER M6-1/8
I.4567	DUCHA SIMPLE 60 MM	SIMPLE SHOWER 60 MM
I.4731	JUNTA PORTAFILTROS 7.8mm	FILTERHOLDER GASKET 7.8mm
I.5051	CAMPANA PROF. 2020	BELL PROF. 2020

ESC446 - VERSATILE 230V
ESC450 - VERSATILE 110V

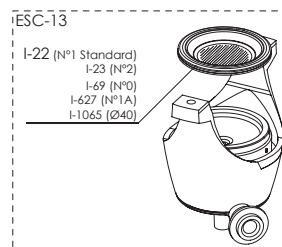


* NOT INCLUDED IN ESC446/ESC450,
ORDER THESE PARTS SEPARATELY

ESC455 - FIXED HOLDER 230V
ESC456 - FIXED HOLDER 110V

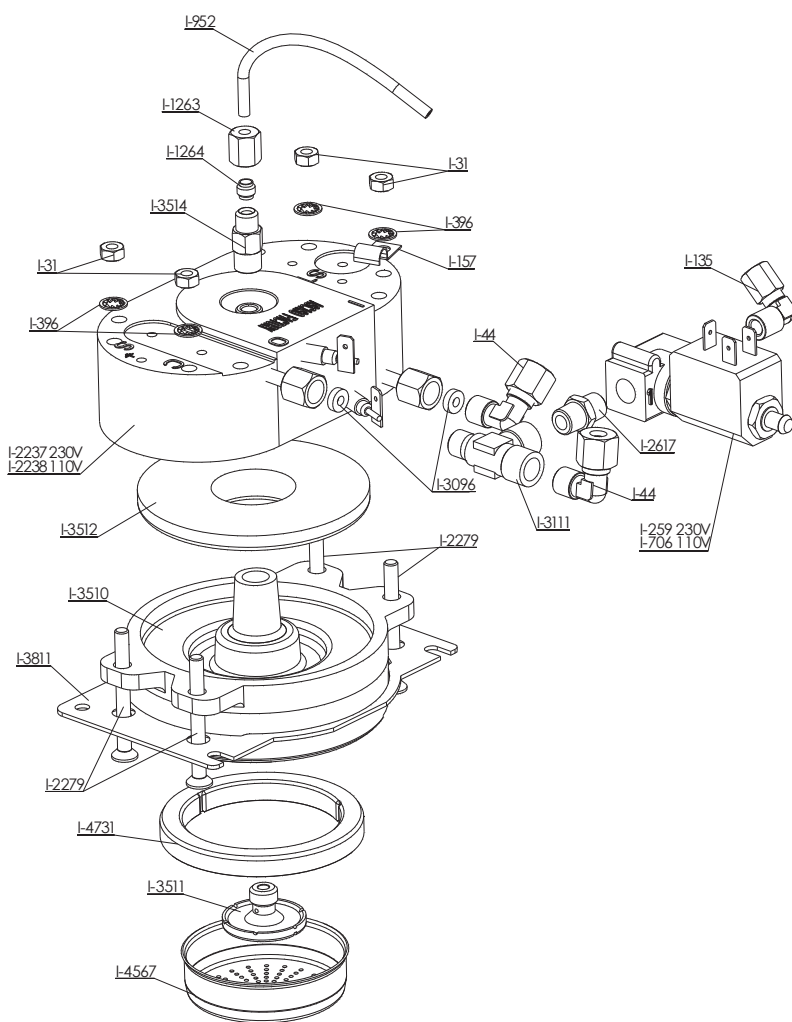


* NOT INCLUDED IN ESC455/ESC456,
ORDER THESE PARTS SEPARATELY

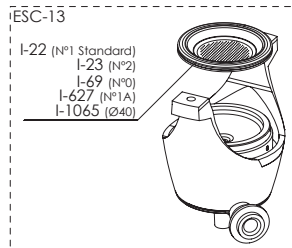
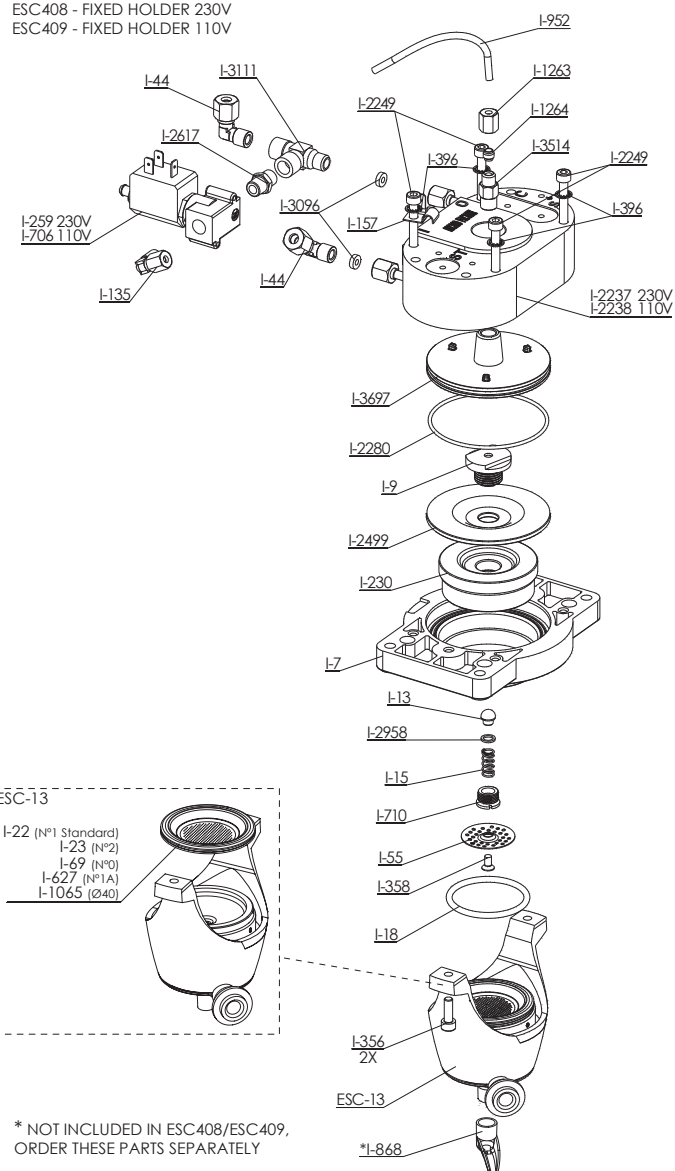


REF.	DESCRIPCIÓN	DESCRIPTION
ESC.13	CONJUNTO CALIZ COMPLETO	LIMESTONE COMPLETE SET
ESC446	GRUPO INTERCAMBIADOR DUO VERSATIL PID 230V 2017	STEEL DUO PID THERMOBLOCK ASSY 230V 2017
ESC450	GRUPO INTERCAMBIADOR DUO VERSATIL PID 110V 2017	STEEL DUO PID THERMOBLOCK ASSY 110V 2017
ESC455	GRUPO INTERCAMBIADOR INOX DUO PF PID 230V 2017	STEEL DUO PID THERMOBLOCK ASSY 230V 2017
ESC456	GRUPO INTERCAMBIADOR INOX DUO PF PID 110V 2017	STEEL DUO PID THERMOBLOCK ASSY 110V 2017
I...7	CAMARA DE COMPRESION	COMPRESSION CHAMBER
I...9	CUERPO VALVULA RETENCION	RETENTION VALVE BODY
I...13	VALVULA SILICONA	SILICONE VALVE
I...15	MUELLE VALVULA RETENCION	SPRING
I...18	JUNTA CIALDA GRUPO	SILICONE RING
I...22	CACILLO CIALDA Nº1	Nº1 POD FILTER
I...23	CACILLO CIALDA Nº2	Nº2 POD FILTER
I...31	TUERCA M5 INOX	M5 NUT SS
I...44	RACOR CODO	RL BOIX FITTING
I...55	DUCHA	SHOWER
I...69	CACILLO CIALDA Nº0	Nº0 FILTER
I..135	RACOR CODO 13280 4 1/8	ELBOW FITTING
I..230	EMBOLO ALUMINIO	PISTON WITH SHOWER
I..259	ELECTROV. 3 VIAS PASO 1.2 230V 1/8-1/8 0-15BAR	3 WAY SOLENOID
I..356	TORNILLO ALLEN M5x15 INOX	ALLEN SCREW
I..358	TORNILLO PORTADUCHA M4 INOX	M4 SCREW
I..396	ARANDELA DENTADA M5 INOX	WASHER
I..627	CACILLO CIALDA Nº1 A	POD FILTER 1A
I..706	ELECTROVALVULA 3 VIAS PASO 1.2 120V 1/8-1/8 0-15BAR	120V 3 WAYS SOLENOID
I..710	TUERCA VALVULA RETENCION CON DUCHA	NUT
I..868	SALIDA CAFE PLASTICO PF	COFFEE SPOUT 1 WAY PLASTIC
I..952	TUBO TEFLON 2X4 (140mm)	2x4 (140mm) TEFLON PIPE
I.1065	CACILLO R101 MOKADOR	FILTER R101 MOKADOR
I.1263	TUERCA BICONO 4	BICONE NUT 4
I.1264	BICONO 4mm	BICONE 4
I.2237	INTERCAMBIADOR INOX. 230V	THERMOBLOCK INOX. 230V (INCLUDE 2xI.3096)
I.2238	INTERCAMBIADOR INOX. 1000W 120V (INCLUIR 2xI.3096)	THERMOBLOCK INOX. 1000W 120V (INCLUDE 2xI.3096)
I.2249	TORNILLO ALLEN M5X50 DIN912 INOX	SCREW
I.2279	TORNILLO M5X50 DIN7991 A-4 80 INOX	SCREW M5X50 DIN7991 A-2 SS
I.2280	JUNTA TORICA 68x2 SILICONA	O-RING 68x2 SILICONA
I.2285	RACOR CONEXION GRIFO	FITTING
I.2307	PROLONGACION GRUPO BASIC	BASIC COFFEE GROUP EXTENSION
I.2499	MEMBRANA GRUPO BAR KAP/PORTA FIJO	SILICONE MEMBRANE BAR KAP/FIX FILTER H. GROUP
I.2617	CONECTOR RECTO 1/8 M-M INOX	STRAIGHT CONNECTOR 1/8 M-M INOX
I.2958	ARANDELA APOYO	WASHER
I.3096	JUNTA INTERCAMBIADOR	HEAT EXCHANGER GASKET
I.3111	RACOR T 1/8 H-H-M	FITTING T 1/8 H-H-M
I.3511	ROCIADOR GRUPO PROF. 2016	SPRAY GROUP PROF. 2016
I.3512	POSTIZO CAMPANA PROF. 2016	BELL PROF. 2016 SUPPLEMENT
I.3514	RACOR CONEXION SOLO CAFE	FITTING
I.3697	TAPA NUEVO INTERCAMBIADOR LATÓN	LID
I.3811	CHAPA SOPORTE GRUPO PROF 2016	GROUP PROF 2016 SUPPORT SHEET
I.4234	RACOR CONEXION INTERCAMBIADOR-MANOMETRO M6 1/8	RACOR CONNECTION THERMOBLOCK-MANOMETER M6-1/8
I.4567	DUCHA SIMPLE 60 MM	SIMPLE SHOWER 60 MM
I.4731	JUNTA PORTAFILTROS 7.8mm	FILTERHOLDER GASKET 7.8mm
I.5051	CAMPANA PROF. 2020	BELL PROF. 2020

ESC435 - VERSATILE 230V
ESC436 - VERSATILE 110V



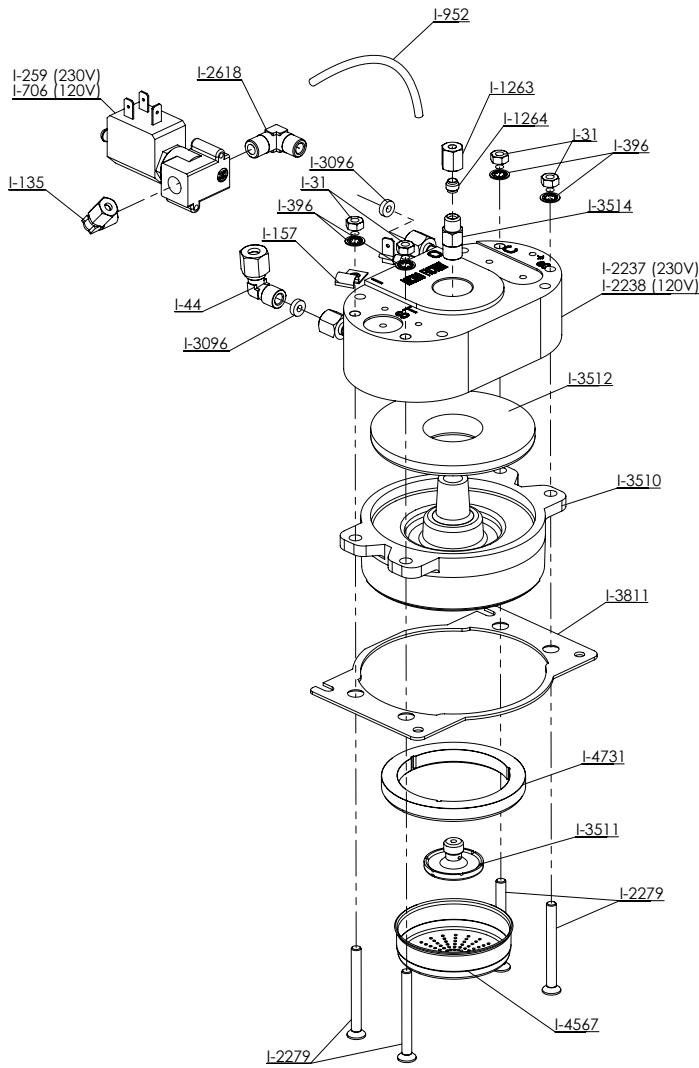
ESC408 - FIXED HOLDER 230V
ESC409 - FIXED HOLDER 110V



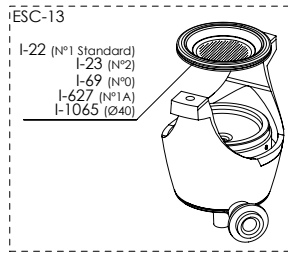
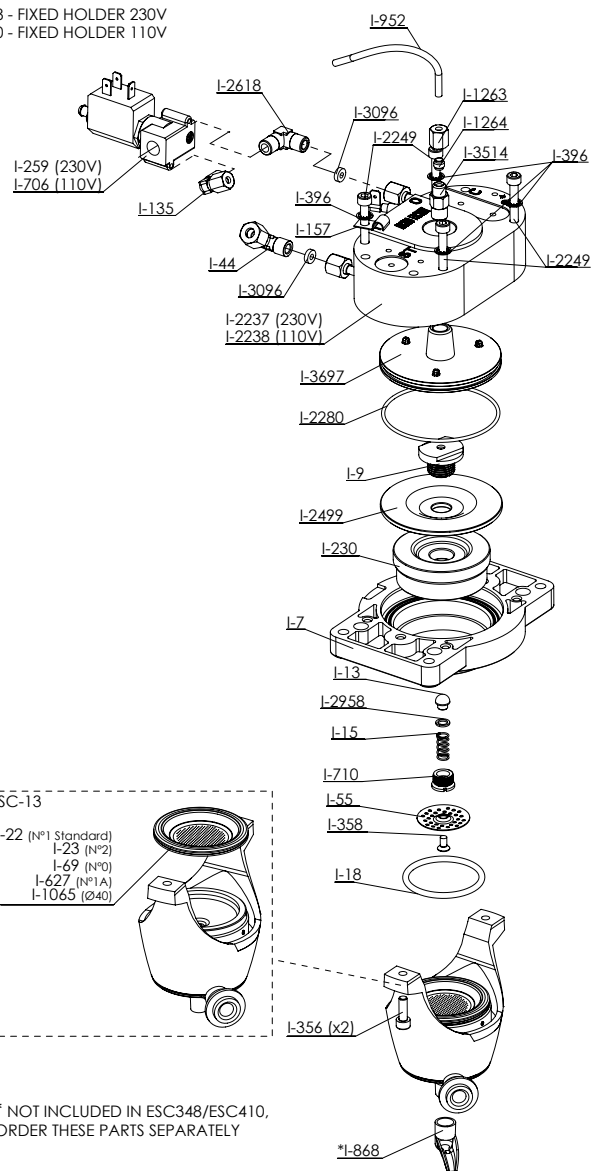
* NOT INCLUDED IN ESC408/ESC409,
ORDER THESE PARTS SEPARATELY

REF.	DESCRIPCIÓN	DESCRIPTION
ESC.13	CONJUNTO CALIZ COMPLETO	LIMESTONE COMPLETE SET
ESC408	GRUPO INTERCAMBIADOR INOX DUO / TRIO DRC PF 230V	GROUP THERM. INOX TRIO RIGHT PF 230V
ESC409	GRUPO INTERCAMBIADOR INOX DUO / TRIO DRC PF 110V	GROUP THERM. INOX TRIO RIGHT PF 110V
ESC435	GRUPO INTERCAMBIADOR INOX STEEL DUO PROF 230V 2016	GROUP THERM. INOX STEEL DUO PROF 230V 2016
ESC436	GRUPO INTERCAMBIADOR INOX STEEL DUO PROF 110V 2016	GROUP THERM. INOX STEEL DUO PROF 110V 2016
I....7	CAMARA DE COMPRESION	COMPRESSION CHAMBER
I...9	CUERPO VALVULA RETENCION	RETENTION VALVE BODY
I...13	VALVULA SILICONA	SILICONE VALVE
I...15	MUELLE VALVULA RETENCION	SPRING
I...18	JUNTA CIALDA GRUPO	SILICONE RING
I...22	CACILLO CIALDA Nº1	Nº1 POD FILTER
I...23	CACILLO CIALDA Nº2	Nº2 POD FILTER
I...31	TUERCA M5 INOX	M5 NUT SS
I...44	RACOR CODO	RL BOX FITTING
I...55	DUCHA	SHOWER
I...69	CACILLO CIALDA Nº0	Nº0 FILTER
I...135	RACOR CODO 13280 4 1/8	FITTING
I...157	BRIDA FIJACION FUSIBLE/TERMOMETRO	FIXING FLANGE
I..230	EMBOLO ALUMINIO	PISTON WITH SHOWER
I..259	ELECTROV. 3 VIAS PASO 1.2 230V 1/8-1/8 0-15BAR	3 WAY SOLENOID
I..356	TORNILLO ALLEN M5x15 INOX	ALLEN SCREW
I..358	TORNILLO PORTADUCHA M4 INOX	M4 SCREW
I..396	ARANDELA DENTADA M5 INOX	WASHER
I..627	CACILLO CIALDA Nº1 A	POD FILTER 1A
I..706	ELECTROVALVULA 3 VIAS PASO 1.2 120V 1/8-1/8 0-15BAR	120V 3 WAYS SOLENOID
I..710	TUERCA VALVULA RETENCION CON DUCHA	NUT
I..868	SALIDA CAFE PLASTICO PF	COFFEE SPOUT 1 WAY PLASTIC
I..952	TUBO TEFLON 2X4 (140mm)	2x4 (140mm) TEFLON PIPE
I.1065	CACILLO R101 MOKADOR	FILTER R101 MOKADOR
I.1263	TUERCA BICONO 4	BICONE NUT 4
I.1264	BICONO 4mm	BICONE 4
I.2237	INTERCAMBIADOR INOX. 230V	THERMOBLOCK INOX. 230V (INCLUDE 2xI.3096)
I.2238	INTERCAMBIADOR INOX. 1000W 120V (INCLUIR 2xI.3096)	THERMOBLOCK INOX. 1000W 120V (INCLUDE 2xI.3096)
I.2249	TORNILLO ALLEN M5X50 DIN912 INOX	SCREW
I.2279	TORNILLO M5X50 DIN7991 A-4 80 INOX	SCREW M5X50 DIN7991 A-2 SS
I.2280	JUNTA TORICA 68x2 SILICONA	O-RING 68x2 SILICONA
I.2499	MEMBRANA GRUPO BAR KAP/PORTA FIJO	SILICONE MEMBRANE BAR KAP/FIX FILTER H. GROUP
I.2617	CONECTOR RECTO 1/8 M-M INOX	STRAIGHT CONNECTOR 1/8 M-M INOX
I.2958	ARANDELA APOYO	WASHER
I.3096	JUNTA INTERCAMBIADOR	HEAT EXCHANGER GASKET
I.3111	RACOR T 1/8 H-H-M	FITTING T 1/8 H-H-M
I.3511	ROCIADOR GRUPO PROF. 2016	SPRAY GROUP PROF. 2016
I.3512	POSTIZO CAMPANA PROF. 2016	BELL PROF. 2016 SUPPLEMENT
I.3514	RACOR CONEXION SOLO CAFE	FITTING
I.3697	TAPA NUEVO INTERCAMBIADOR LATÓN	LID
I.3811	CHAPA SOPORTE GRUPO PROF 2016	GROUP PROF 2016 SUPPORT SHEET
I.4567	DUCHA SIMPLE 60 MM	SIMPLE SHOWER 60 MM
I.4731	JUNTA PORTAFILTROS 7.8mm	FILTERHOLDER GASKET 7.8mm
I.5051	CAMPANA PROF. 2020	BELL PROF. 2020

ESC439 - VERSATILE 230V
ESC442 - VERSATILE 120V



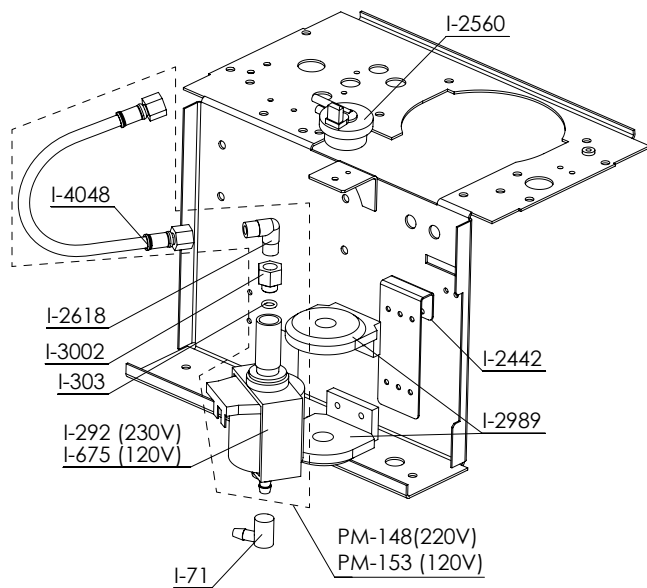
ESC348 - FIXED HOLDER 230V
ESC410 - FIXED HOLDER 110V



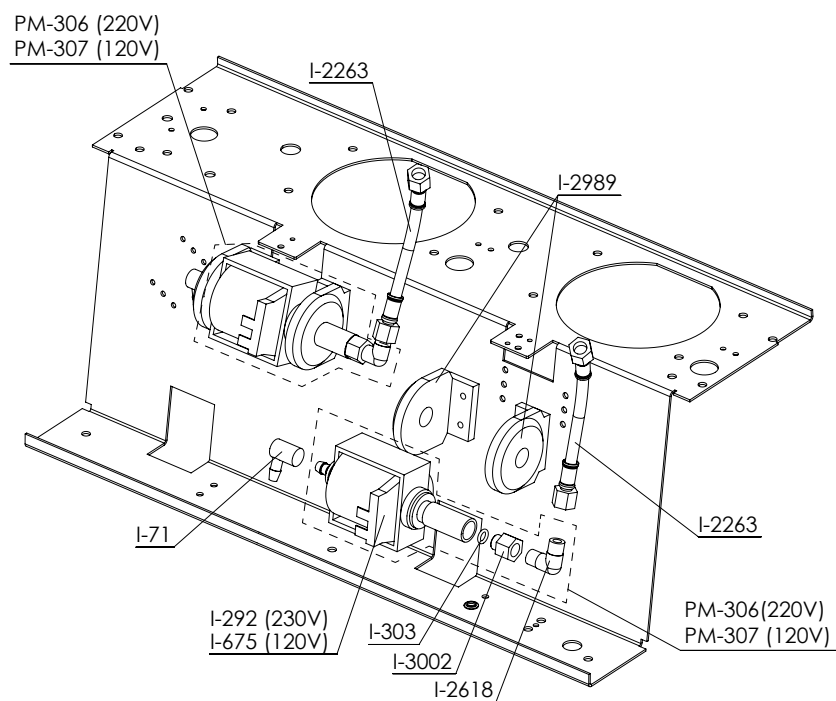
* NOT INCLUDED IN ESC348/ESC410,
ORDER THESE PARTS SEPARATELY

REF.	DESCRIPCIÓN	DESCRIPTION
ESC.13	CONJUNTO CALIZ COMPLETO	LIMESTONE COMPLETE SET
ESC348	GRUPO INTERCAMBIADOR INOX IZQUIERDO TRIO PF 230V	GROUP THERM. INOX LEFT TRIO PF 230V
ESC410	GRUPO INTERCAMBIADOR INOX IZQUIERDO TRIO PF 110V	GROUP THERM. INOX TRIO LEFT PF 110V
ESC439	GRUPO INTERCAMBIADOR STEEL TRIO PROF 230V 2017	GROUP THERMOBLOCK STEEL TRIO PROF 230V 2017
ESC442	GRUPO INTERCAMBIADOR STEEL TRIO PROF 120V 2017	GROUP THERMOBLOCK STEEL TRIO PROF 120V 2017
I...7	CAMARA DE COMPRESION	COMPRESSION CHAMBER
I...9	CUERPO VALVULA RETENCION	RETENTION VALVE BODY
I...13	VALVULA SILICONA	SILICONE VALVE
I...15	MUELLE VALVULA RETENCION	SPRING
I...18	JUNTA CIALDA GRUPO	SILICONE RING
I...22	CACILLO CIALDA Nº1	Nº1 POD FILTER
I...23	CACILLO CIALDA Nº2	Nº2 POD FILTER
I...31	TUERCA M5 INOX	M5 NUT SS
I...44	RACOR CODO	RL BOIX FITTING
I...55	DUCHA	SHOWER
I...69	CACILLO CIALDA Nº0	Nº0 FILTER
I...135	RACOR CODO 13280 4 1/8	FITTING
I...157	BRIDA FIJACION FUSIBLE/TERMOMETRO	FIXING FLANGE
I...230	EMBOLO ALUMINIO	PISTON WITH SHOWER
I...259	ELECTROV. 3 VIAS PASO 1.2 230V 1/8-1/8 0-15BAR	3 WAY SOLENOID
I...356	TORNILLO ALLEN M5x15 INOX	ALLEN SCREW
I...358	TORNILLO PORTADUCHA M4 INOX	M4 SCREW
I...396	ARANDELA DENTADA M5 INOX	WASHER
I...627	CACILLO CIALDA Nº1 A	POD FILTER 1A
I...706	ELECTROVALVULA 3 VIAS PASO 1.2 120V 1/8-1/8 0-15BAR	120V 3 WAYS SOLENOID
I...710	TUERCA VALVULA RETENCION CON DUCHA	NUT
I...868	SALIDA CAFE PLASTICO PF	COFFEE SPOUT 1 WAY PLASTIC
I...952	TUBO TEFLON 2X4 (140mm)	2x4 (140mm) TEFLON PIPE
I...1065	CACILLO R101 MOKADOR	FILTER R101 MOKADOR
I...1263	TUERCA BICONO 4	BICONE NUT 4
I...1264	BICONO 4mm	BICONE 4
I...2237	INTERCAMBIADOR INOX. 230V	THERMOBLOCK INOX. 230V (INCLUDE 2xI.3096)
I...2238	INTERCAMBIADOR INOX. 1000W 120V (INCLUIR 2xI.3096)	THERMOBLOCK INOX. 1000W 120V (INCLUDE 2xI.3096)
I...2249	TORNILLO ALLEN M5X50 DIN912 INOX	SCREW
I...2279	TORNILLO M5X50 DIN7991 A-4 80 INOX	SCREW M5X50 DIN7991 A-2 SS
I...2280	JUNTA TORICA 68x2 SILICONA	O-RING 68x2 SILICONA
I...2499	MEMBRANA GRUPO BAR KAP/PORTA FIJO	SILICONE MEMBRANE BAR KAP/FIX FILTER H. GROUP
I...2618	RACOR CODO 1/8 M-M INOX	ELBOW FITTING 1/8 M-M INOX (old I.90)
I...2958	ARANDELA APOYO	WASHER
I...3096	JUNTA INTERCAMBIADOR	HEAT EXCHANGER GASKET
I...3511	ROCIADOR GRUPO PROF. 2016	SPRAY GROUP PROF. 2016
I...3512	POSTIZO CAMPANA PROF. 2016	BELL PROF. 2016 SUPPLEMENT
I...3514	RACOR CONEXION SOLO CAFE	FITTING
I...3697	TAPA NUEVO INTERCAMBIADOR LATÓN	LID
I...3811	CHAPA SOPORTE GRUPO PROF 2016	GROUP PROF 2016 SUPPORT SHEET
I...4567	DUCHA SIMPLE 60 MM	SIMPLE SHOWER 60 MM
I...4731	JUNTA PORTAFILTROS 7.8mm	FILTERHOLDER GASKET 7.8mm
I...5051	CAMPANA PROF. 2020	BELL PROF. 2020

UNO / UNO PID
DUO / DUO PID

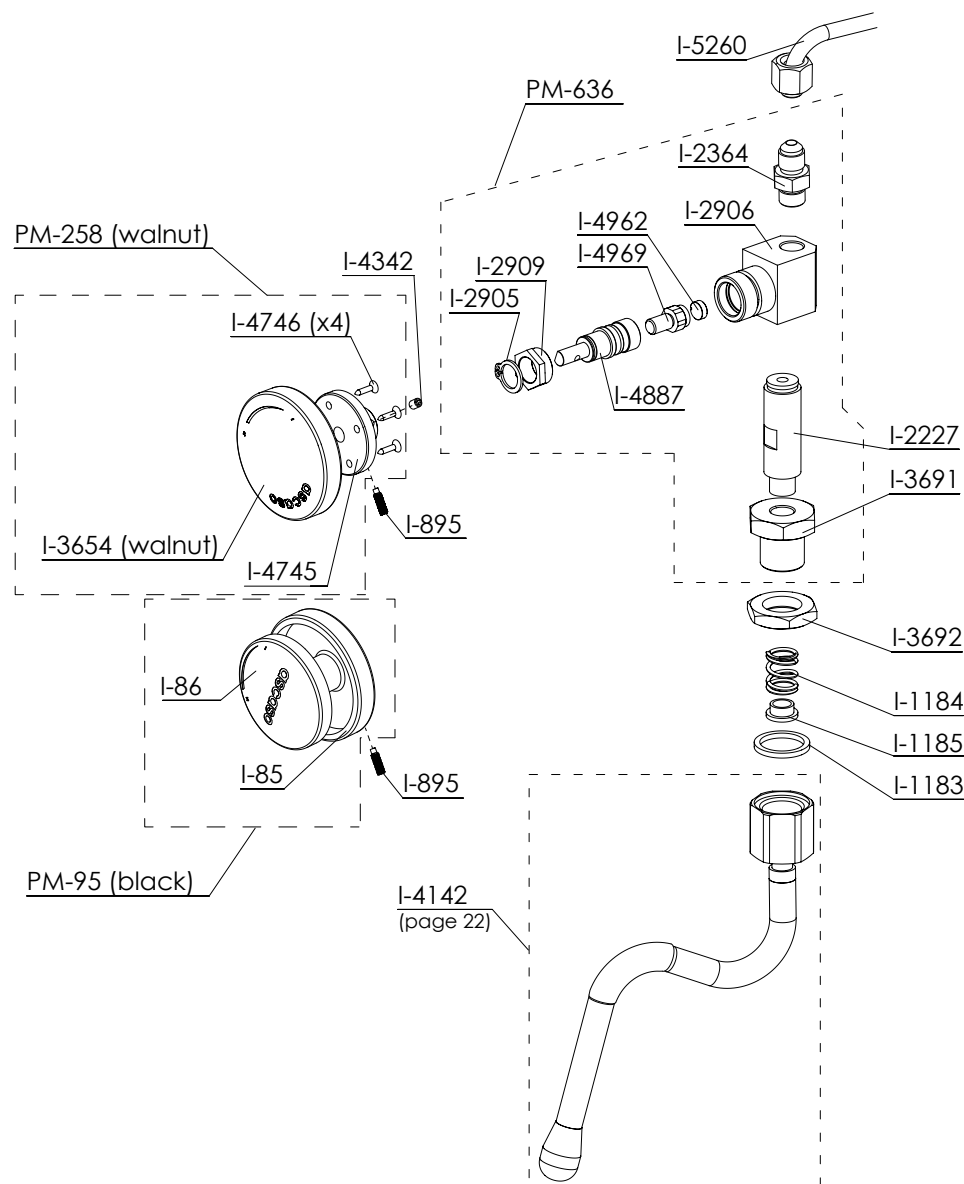


TRIO

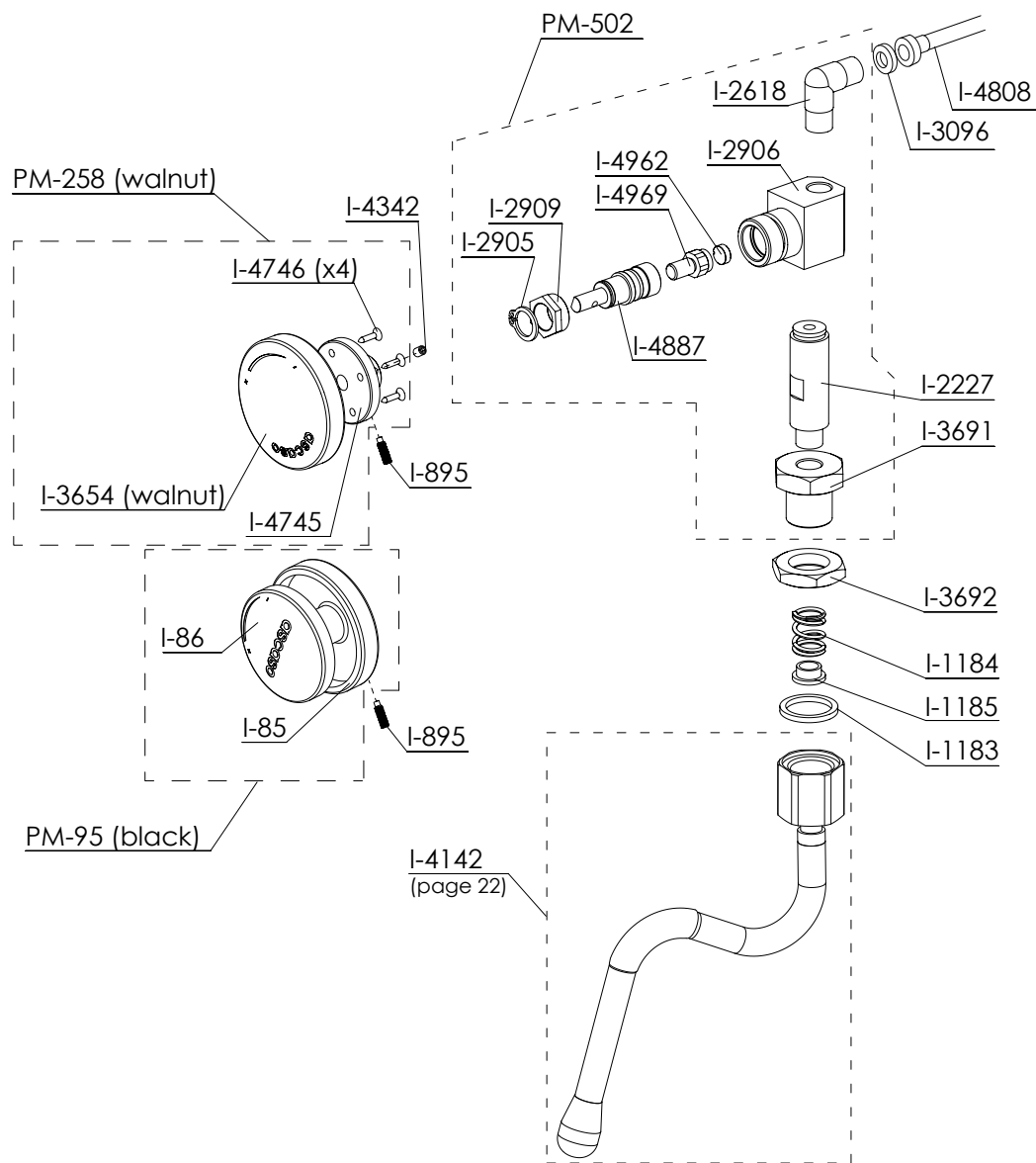


REF.	DESCRIPCIÓN
I...71	PIPETA ASPIRACION
I..292	BOMBA CP4SP PLUS 230/240V 50Hz
I..303	TORICA S-2
I..675	BOMBA 110/120V 60 Hz
I.2263	TUBO FLEXIBLE ENTRADA AGUA TRIO
I.2442	SOPORTE ANTIVIBRACION BOMBA
I.2560	CONTADOR VOLUMETRICO FHKSC
I.2618	RACOR CODO 1/8 M-M INOX
I.2989	SILENT BLOCK BOMBA
I.3002	RACOR BOMBA
I.4048	FLEXO INOX 1/8 250MM ASIENTO PLANO
PM.148	BOMBA UNO/DUO PROF/TRONIC 230V
PM.153	BOMBA UNO/DUO PROF/TRONIC 120V
PM.306	BOMBA TRIO PROF/TRONIC 220V 2017
PM.307	BOMBA TRIO PROF/TRONIC 120V 2017

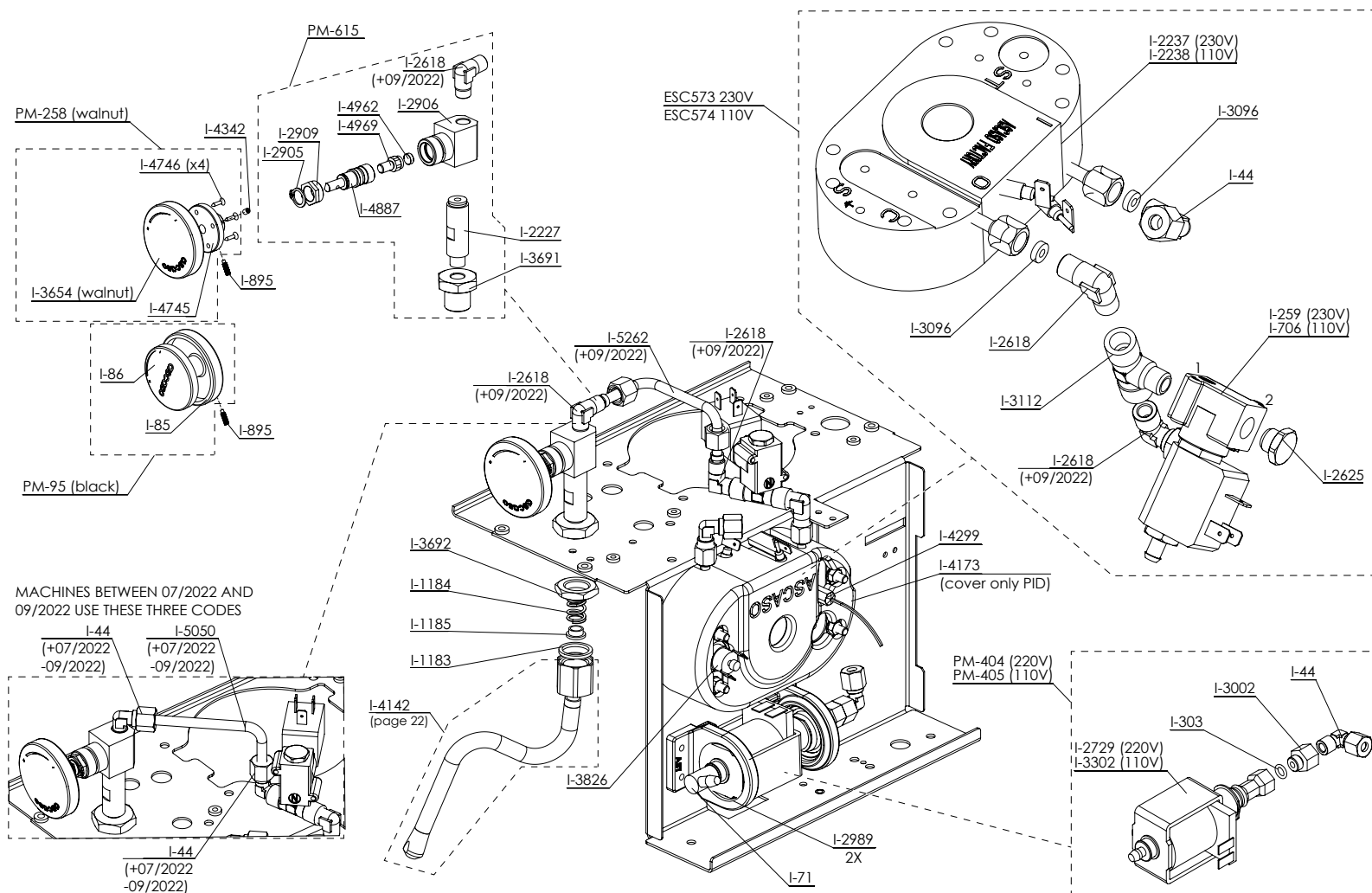
DESCRIPTION
90° FITTING
230V 50Hz PUMP
S-2 RING
110/120V 60Hz PUMP
TRIO FLEXO PIPE
PUMP SUPPORT
FLOWMETER FHKSC
ELBOW FITTING 1/8 M-M INOX
PUMP SILENT BLOCK
PUMP FITTING
FLEXO PIPE 1/8 (250MM)
UNO/DUO PROF/TRONIC 230V PUMP
PUMP STEEL PROF 120V
220V TRIO PROF/TRONIC PUMP 2017
120V TRIO PROF/TRONIC PUMP 2017



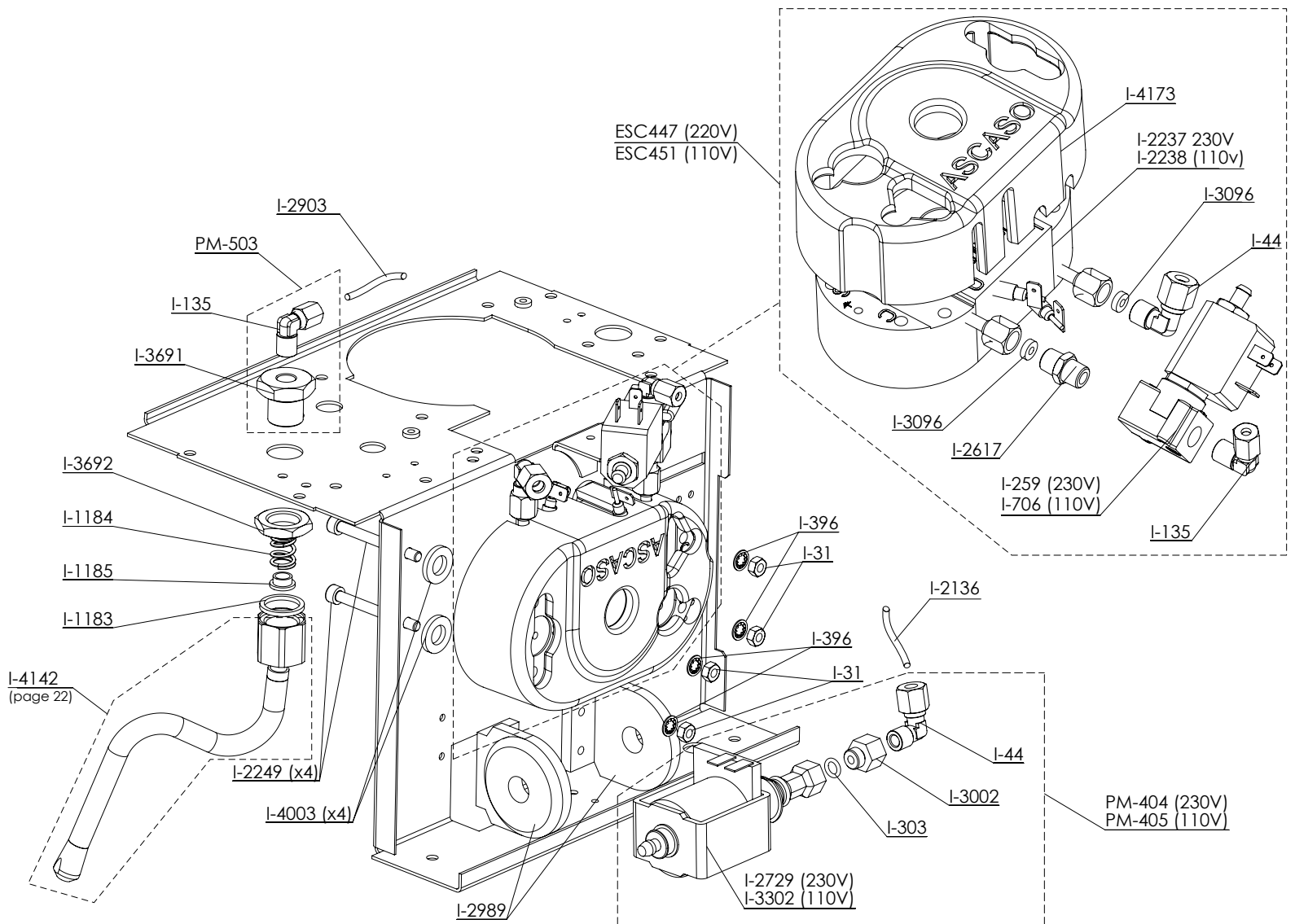
REF.	DESCRIPCIÓN	DESCRIPTION
I...85	POMO GRIFO NEGRO	HANDLE
I...86	EMBELLECEDOR POMO INOX	INOX HANDLE LID
I..895	TORNILLO FIJACION EMBUDO INOX	FUNNEL FIXED SCREW
I.1183	ARANDELA GRIFO AGUA	WATER TAP WASHER
I.1184	MUELLE GRIFO SALIDA VAPOR.AGUA	STEAM . WATER OUTLET TAP SPRING
I.1185	GUIA MUELLE GRIFO AGUA	SPRING GUIDE WATER TAP
I.2227	PROLONGACION TUBO VAPOR MD STEEL	STEEL CONNECTOR FOR THE MD STEAM PIPE
I.2364	RACOR CONTADOR VOLUMETRICO 1/8"-1/8" INOX	FITTING VOLUMETRIC CONTROL 1/8"-1/8"
I.2905	ARANDELA SEGURIDAD DIN471 E.10	LOCK RING DIN471 E.10
I.2906	CUERPO GRIFO 2014	TAP BODY 2014
I.2909	TUERCA CIERRE GRIFO 2014	TAP LOCKING NUT 2014
I.3654	POMO VAPOR MADERA DREAM NOGAL	STEAM TAP WOOD DREAM
I.3691	RACOR EV . SALIDA AGUA	RACORD SOLENOID . WATER EXIT
I.3692	TUERCA RACOR EV . SALIDA AGUA	RACORD NUT SOLENOID . WATER EXIT
I.4142	TUBO VAPOR MD STEEL UNO/DUO PROF PTFE D.10mm	UNO/DUO PROF PIPE PTFE D.10mm
I.4342	ESPARRAGO M3x4 DIN 913 INOX A2	SOCKET SET SCREW OUTPUT FIXING COFFEE BIG DREAM
I.4745	CASQUILLO POMO VAPOR DREAM	FIXER STEAM HANDLE DREAM
I.4746	TORNILLO D2.5X10MM DIN 7505.A	SCREW D2.5X10MM DIN 7505.A
I.4887	EJE GRIFO VAPOR COMPLETO	COMPLETE STEAM TAP AXLE
I.4962	TACO CIERRE GRIFO 2020	TAP STOPPER 2020
I.4969	SOPORTE TACO CIERRE GRIFO 2020	SUPPORT FOR TAP CONNECTOR 2020
I.5260	TUBO COBRE DISTRIBUIDOR UNO	UNO DISTRIBUTION COPPER PIPE
PM..95	POMO NEGRO	BLACK HANDLE
PM.258	POMO VAPOR MADERA DREAM COMPLETO NOGAL	SET STEAM TAP WALNUT WOOD DREAM
PM.636	CONJUNTO GRIFO UNO PROF 2022	TAP UNO PROF 2022



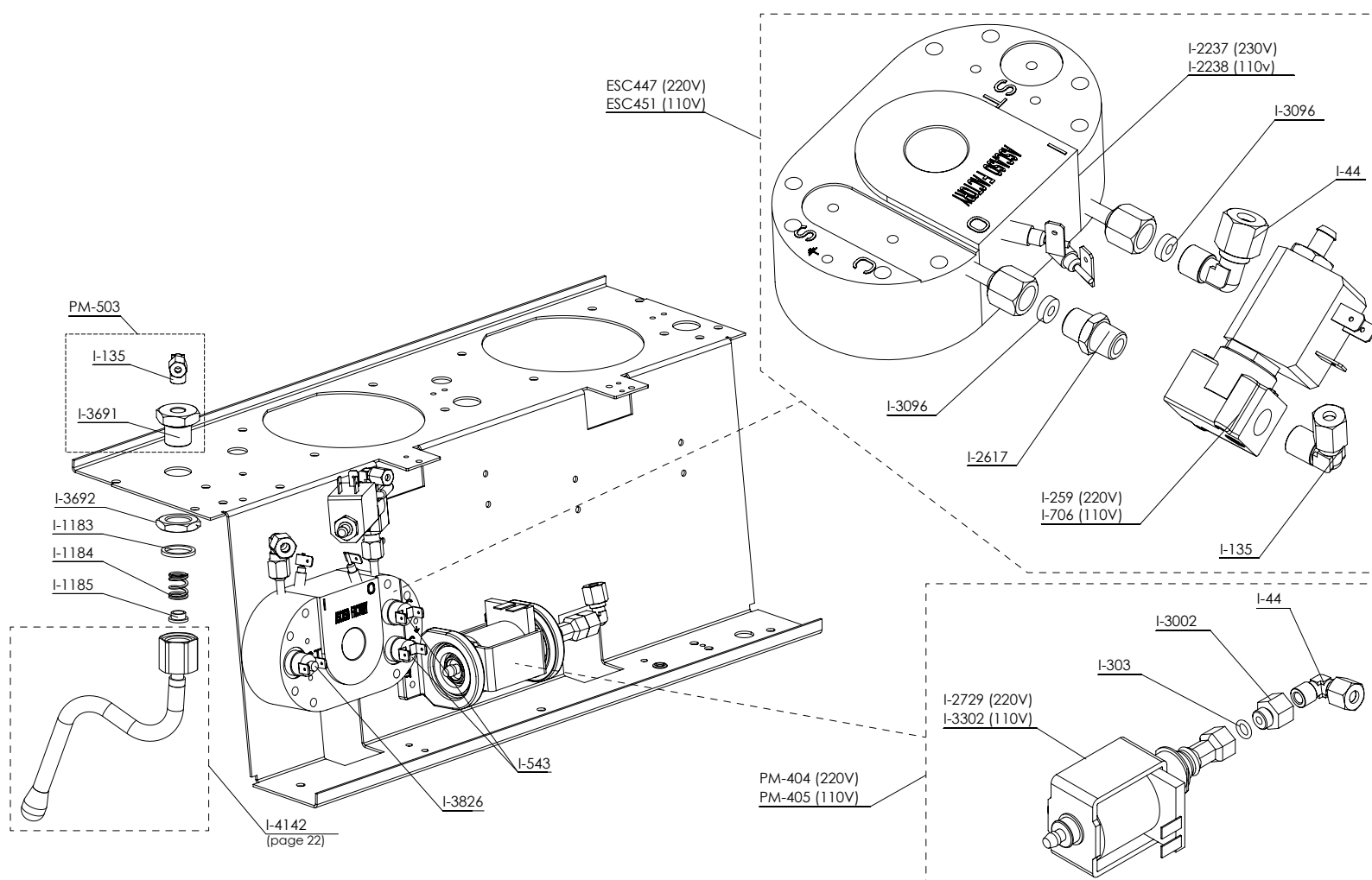
REF.	DESCRIPCIÓN	DESCRIPTION
I...85	POMO GRIFO NEGRO	HANDLE
I...86	EMBELLECEDOR POMO INOX	INOX HANDLE LID
I..895	TORNILLO FIJACION EMBUDO INOX	FUNNEL FIXED SCREW
I.1183	ARANDELA GRIFO AGUA	WATER TAP WASHER
I.1184	MUELLE GRIFO SALIDA VAPOR.AGUA	STEAM . WATER OUTLET TAP SPRING
I.1185	GUIA MUELLE GRIFO AGUA	SPRING GUIDE WATER TAP
I.2227	PROLONGACION TUBO VAPOR MD STEEL	STEEL CONNECTOR FOR THE MD STEAM PIPE
I.2618	RACOR CODO MACHO 1/8 INOX	ELBOW FITTING 1/8 M-M INOX
I.2905	ARANDELA SEGURIDAD DIN471 E.10	LOCK RING DIN471 E.10
I.2906	CUERPO GRIFO 2014	TAP BODY 2014
I.2909	TUERCA CIERRE GRIFO 2014	TAP LOCKING NUT 2014
I.3096	JUNTA INTERCAMBIADOR	HEAT EXCHANGER GASKET
I.3654	POMO VAPOR MADERA DREAM NOGAL	STEAM TAP WOOD DREAM
I.3691	RACOR EV . SALIDA AGUA	RACORD SOLENOID . WATER EXIT
I.3692	TUERCA RACOR EV . SALIDA AGUA	RACORD NUT SOLENOID . WATER EXIT
I.4142	TUBO VAPOR MD STEEL UNO/DUO PROF PTFE D.10mm	UNO/DUO PROF PIPE PTFE D.10mm
I.4342	ESPARRAGO M3x4 DIN 913 INOX A2	SOCKET SET SCREW OUTPUT FIXING COFFEE BIG DREAM
I.4745	CASQUILLO POMO VAPOR DREAM	FIXER STEAM HANDLE DREAM
I.4746	TORNILLO D2.5X10MM DIN 7505.A	SCREW D2.5X10MM DIN 7505.A
I.4808	TUBO VAPOR INOX STEEL UNO	STAINLESS STEEL STEAM PIPE STEEL UNO
I.4887	EJE GRIFO VAPOR COMPLETO	COMPLETE STEAM TAP AXLE
I.4962	TACO CIERRE GRIFO 2020	TAP STOPPER 2020
I.4969	SOPORTE TACO CIERRE GRIFO 2020	SUPPORT FOR TAP CONNECTOR 2020
PM..95	POMO NEGRO	BLACK HANDLE
PM.258	POMO VAPOR MADERA DREAM COMPLETO NOGAL	SET STEAM TAP WALNUT WOOD DREAM
PM.502	CONJUNTO GRIFO UNO PROF 2020	TAP UNO PROF 2020



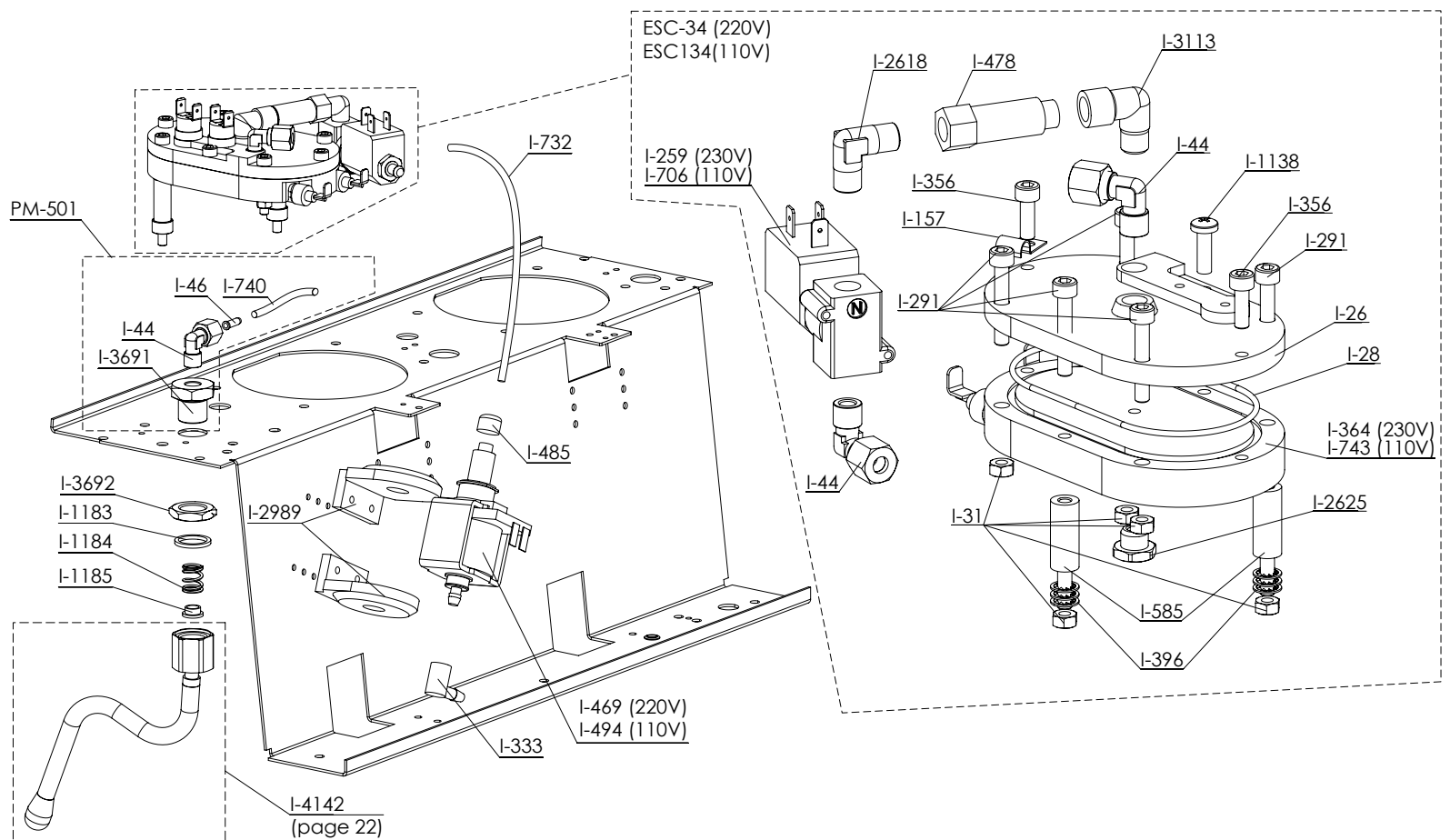
REF.	DESCRIPCIÓN	DESCRIPTION
ESC573	GRUPO VAPOR DUO PID 230V	DUO PID 230V STEAM GROUP
ESC574	GRUPO VAPOR DUO PID 110V	DUO PID 110V STEAM GROUP
I...44	RACOR CODO	RL BOIX FITTING
I...71	PIPETA ASPIRACION	90° FITTING
I...85	POMO GRIFO NEGRO	HANDLE
I...86	EMBELLECEDOR POMO INOX	INOX HANLE LID
I..259	ELECTROV. 3 VIAS PASO 1.2 230V 1/8-1/8 0-15BAR	3 WAY SOLENOID
I..303	TORICA S-2	S-2 RING
I..706	ELECTROVALVULA 3 VIAS PASO 1.2 120V 1/8-1/8 0-15BAR	120V 3 WAYS SOLENOID
I..895	TORNILLO FIJACION EMBUDO INOX	FUNNEL FIXED SCREW
I.1183	ARANDELA GRIFO AGUA	WATER TAP WASHER
I.1184	MUELLE GRIFO SALIDA VAPOR.AGUA	STEAM . WATER OUTLET TAP SPRING
I.1185	GUIA MUELLE GRIFO AGUA	SPRING GUIDE WATER TAP
I.2227	PROLONGACION TUBO VAPOR MD STEEL	STEEL CONNECTOR FOR THE MD STEAM PIPE
I.2237	INTERCAMBIADOR INOX. 230V	THERMOBLOCK INOX. 230V (INCLUDE 2xI.3096)
I.2238	INTERCAMBIADOR INOX. 1000W 120V (INCLUIR 2xI.3096)	THERMOBLOCK INOX. 1000W 120V (INCLUDE 2xI.3096)
I.2618	RACOR CODO MACHO 1/8 INOX	ELBOW FITTING 1/8 M-M INOX
I.2625	TAPON M 1/8 INOX	PLUG M 1/8 INOX
I.2729	BOMBA CP SMART 20bar 230-240V 50/60Hz 50W	PUMP CP SMART 20bar 230-240V 50W
I.2905	ARANDELA SEGURIDAD DIN471 E.10	LOCK RING DIN471 E.10
I.2906	CUERPO GRIFO 2014	TAP BODY 2014
I.2909	TUERCA CIERRE GRIFO 2014	TAP LOCKING NUT 2014
I.2989	SILENT BLOCK BOMBA	PUMP SILENT BLOCK
I.3002	RACOR BOMBA	PUMP FITTING
I.3096	JUNTA INTERCAMBIADOR	HEAT EXCHANGER GASKET
I.3112	RACOR T M 1/8"R - H 1/8"G + H 1/8"G	FITTING TEE M 1/8"R - H 1/8"G + H 1/8"G
I.3302	BOMBA CP SMART 20bar 120V	PUMP CP SMART 20bar 120V
I.3654	POMO VAPOR MADERA DREAM NOGAL	STEAM TAP WOOD DREAM
I.3691	RACOR EV . SALIDA AGUA	RACORD SOLENOID . WATER EXIT
I.3692	TUERCA RACOR EV . SALIDA AGUA	RACORD NUT SOLENOID . WATER EXIT
I.3826	TERMOSTATO SEGURIDAD 215°	SAFETY THERMOSTAT 215°
I.4142	TUBO VAPOR MD STEEL UNO/DUO PROF PTFE D.10mm	UNO/DUO PROF PIPE PTFE D.10mm
I.4173	FUNDA TERMICA INTECAMBIADOR INOX.	THERMOBLOCK THERMAL CASE
I.4299	SONDA TEMPERATURA INOX PID (M4) 2017	INOX PID TEMPERATURE PROBE (M4) 2017
I.4342	ESPARRAGO M3x4 DIN 913 INOX A2	SOCKET SET SCREW OUTPUT FIXING COFFEE BIG DREAM
I.4745	CASQUILLO POMO VAPOR DREAM	FIXER STEAM HANDLE DREAM
I.4746	TORNILLO D2.5X10MM DIN 7505.A	SCREW D2.5X10MM DIN 7505.A
I.4887	EJE GRIFO VAPOR COMPLETO	COMPLETE STEAM TAP AXLE
I.4962	TACO CIERRE GRIFO 2020	TAP STOPPER 2020
I.4969	SOPORTE TACO CIERRE GRIFO 2020	SUPPORT FOR TAP CONNECTOR 2020
I.5050	TUBO COBRE VAPOR DUO SENCILLO	DUO STEAM COPPER PIPE
I.5262	TUBO COBRE VAPOR DUO	DUO STEAM COPPER PIPE
PM..95	POMO NEGRO	BLACK HANDLE
PM.258	POMO VAPOR MADERA DREAM COMPLETO NOGAL	SET STEAM TAP WALNUT WOOD DREAM
PM.404	BOMBA VAPOR DUO / DUO PID 230V	STEAM PUMP WHOLE DUO / DUO PID 230V
PM.405	BOMBA VAPOR DUO / DUO PID 110V	STEAM PUMP WHOLE DUO / DUO PID 110V
PM.615	CONJUNTO GRIFO DUO PROF 2022	TAP DUO PROF 2022



REF.	DESCRIPCIÓN	DESCRIPTION
ESC447	GRUPO INTERCAMBIADOR INOX VAPOR DUO PID 230V	STAINLESS STEEL INTER. DUO PID 230V
ESC451	GRUPO INTERCAMBIADOR INOX VAPOR DUO PID 110V	STEAM DUO PID THERMOBLOCK ASSY 110V 2017
I...31	TUERCA M5 INOX	NUT
I...44	RACOR CODO	RL BOIX FITTING
I..135	RACOR CODO 13280 4 1/8	FITTING
I..259	ELECTROV. 3 VIAS PASO 1.2 230V 1/8-1/8 0-15BAR	3 WAY SOLENOID
I..303	TORICA S-2	S-2 RING
I..396	ARANDELA DENTADA M5 INOX	WASHER
I..706	ELECTROVALVULA 3 VIAS PASO 1.2 120V 1/8-1/8 0-15BAR	120V 3 WAYS SOLENOID
I.1183	ARANDELA GRIFO AGUA	WATER TAP WASHER
I.1184	MUELLE GRIFO SALIDA VAPOR-AGUA	STEAM - WATER OUTLET TAP SPRING
I.1185	GUIA MUELLE GRIFO AGUA	SPRING GUIDE WATER TAP
I.2136	TUBO TEFLON 4x6 (220mm)	TEFLON PIPE 4x6 (220mm)
I.2237	INTERCAMBIADOR INOX. 230V	THERMOBLOCK INOX. 230V (INCLUDE 2xI.3096)
I.2238	INTERCAMBIADOR INOX. 1000W 120V (INCLUIR 2xI.3096)	THERMOBLOCK INOX. 1000W 120V (INCLUDE 2xI.3096)
I.2249	TORNILLO ALLEN M5X50 DIN912 INOX	SCREW
I.2617	CONECTOR RECTO 1/8 M-M INOX	STRAIGHT CONNECTOR 1/8 M-M INOX
I.2729	BOMBA CP SMART 20bar 230-240V 50/60Hz 50W	PUMP CP SMART 20bar 230-240V 50W
I.2903	TUBO TEFLON 2X4 (170mm)	TEFLON PIPE 2X4 (170mm)
I.2989	SILENT BLOCK BOMBA	PUMP SILENT BLOCK
I.3002	RACOR BOMBA	PUMP FITTING
I.3096	JUNTA INTERCAMBIADOR	HEAT EXCHANGER GASKET
I.3302	BOMBA CP SMART 20bar 120V	PUMP CP SMART 20bar 120V
I.3691	RACOR EV - SALIDA AGUA	RACORD SOLENOID - WATER EXIT
I.3692	TUERCA RACOR EV - SALIDA AGUA	RACORD NUT SOLENOID - WATER EXIT
I.4003	JUNTA PTFE 18.2x9.7x2.6	CLOSED GASKET PIPE E/R G.BARISTA PRO
I.4142	TUBO VAPOR MD STEEL UNO/DUO PROF PTFE D.10mm	UNO/DUO PROF PIPE PTFE D.10mm
I.4173	FUNDA TERMICA INTECAMBIADOR INOX.	THERMOBLOCK THERMAL CASE
PM.404	BOMBA VAPOR DUO / DUO PID 230V	STEAM PUMP WHOLE DUO / DUO PID 230V
PM.405	BOMBA VAPOR DUO / DUO PID 110V	STEAM PUMP WHOLE DUO / DUO PID 110V
PM.503	CONJUNTO LANZA VAPOR DUO PROF PID 2020	HEAT PIPE DUO PROF PID 2020

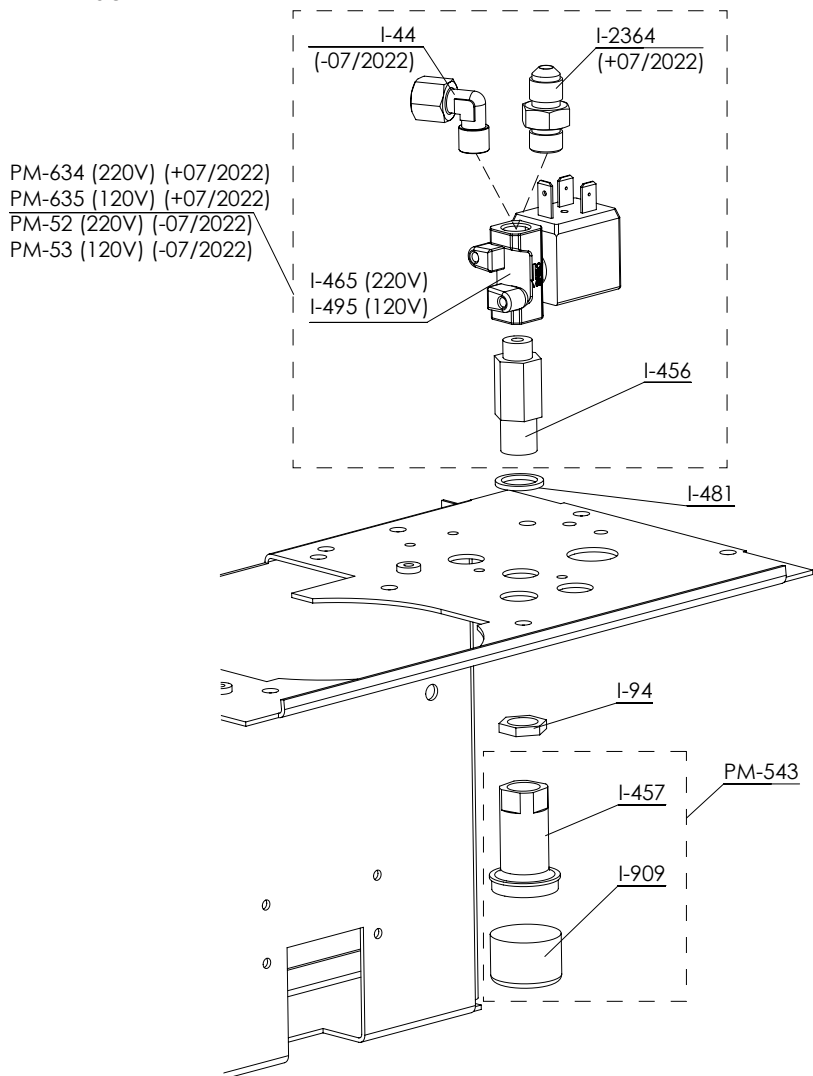


REF.	DESCRIPCIÓN	DESCRIPTION
ESC447	GRUPO INTERCAMBIADOR INOX VAPOR DUO PID 230V	STAINLESS STEEL INTER. DUO PID 230V
ESC451	GRUPO INTERCAMBIADOR INOX VAPOR DUO PID 110V	STEAM DUO PID THERMOBLOCK ASSY 110V 2017
I...44	RACOR CODO	RL BOX FITTING
I..135	RACOR CODO 13280 4 1/8	FITTING
I..259	ELECTROV. 3 VIAS PASO 1.2 230V 1/8-1/8 0-15BAR	3 WAY SOLENOID
I..303	TORICA S-2	S-2 RING
I..543	TERMOSTATO 165° CERAMICO	165° CERAMIC THERMOSTAT
I..706	ELECTROVALVULA 3 VIAS PASO 1.2 120V 1/8-1/8 0-15BAR	120V 3 WAYS SOLENOID
I.1183	ARANDELA GRIFO AGUA	WATER TAP WASHER
I.1184	MUELLE GRIFO SALIDA VAPOR-AGUA	STEAM - WATER OUTLET TAP SPRING
I.1185	GUIA MUELLE GRIFO AGUA	SPRING GUIDE WATER TAP
I.2237	INTERCAMBIADOR INOX. 230V	THERMOBLOCK INOX. 230V (INCLUDE 2xI.3096)
I.2238	INTERCAMBIADOR INOX. 1000W 120V (INCLUIR 2xI.3096)	THERMOBLOCK INOX. 1000W 120V (INCLUDE 2xI.3096)
I.2617	RACOR RECTO 1/8 M-M INOX	STRAIGHT CONNECTOR 1/8 M-M INOX
I.2729	BOMBA CP SMART 20bar 230-240V 50/60Hz 50W	PUMP CP SMART 20bar 230-240V 50W
I.3002	RACOR BOMBA	PUMP FITTING
I.3096	JUNTA INTERCAMBIADOR	HEAT EXCHANGER GASKET
I.3302	BOMBA CP SMART 20bar 120V	PUMP CP SMART 20bar 120V
I.3691	RACOR EV - SALIDA AGUA	RACORD SOLENOID - WATER EXIT
I.3692	TUERCA RACOR EV - SALIDA AGUA	RACORD NUT SOLENOID - WATER EXIT
I.3826	TERMOSTATO SEGURIDAD 215°	SAFETY THERMOSTAT 215°
I.4142	TUBO VAPOR MD STEEL UNO/DUO PROF PTFE D.10mm	UNO/DUO PROF PIPE PTFE D.10mm
PM.404	BOMBA VAPOR DUO / DUO PID 230V	STEAM PUMP WHOLE DUO / DUO PID 230V
PM.405	BOMBA VAPOR DUO / DUO PID 110V	STEAM PUMP WHOLE DUO / DUO PID 110V
PM.503	CONJUNTO LANZA VAPOR DUO PROF PID 2020	HEAT PIPE DUO PROF PID 2020

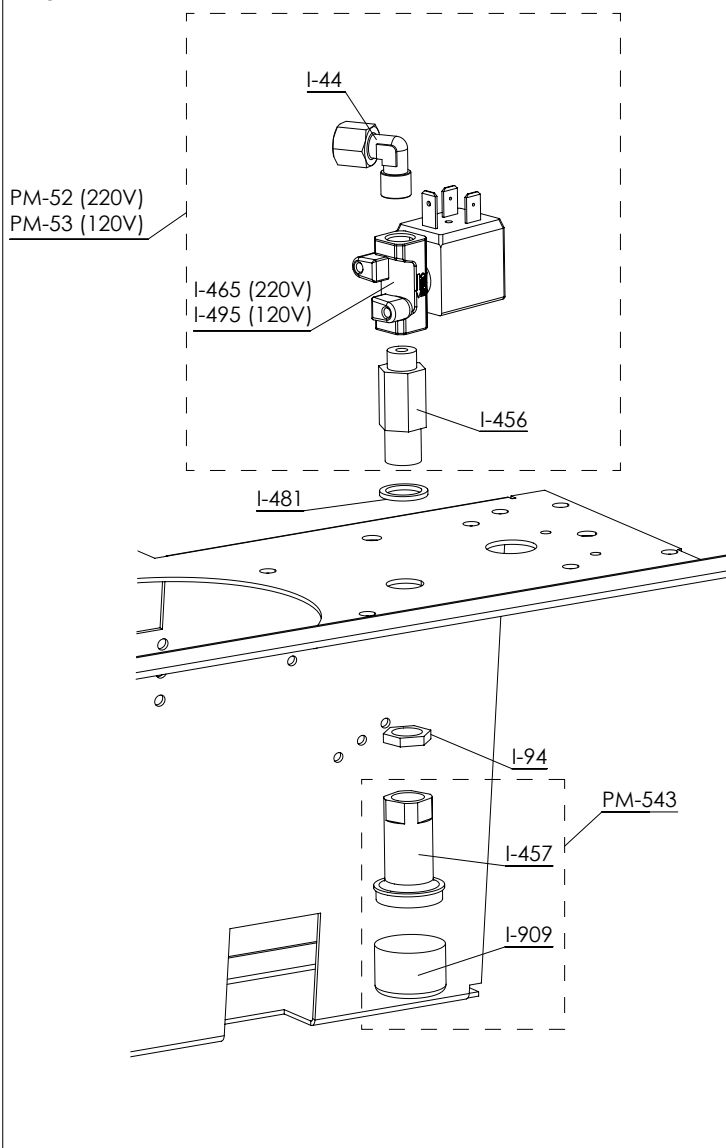


REF.	DESCRIPCIÓN	DESCRIPTION
ESC.34	GRUPO THERM. VAPOR TRIO PROF. 230V	GROUP 230V THERM. STEAM PROF
ESC134	GRUPO THERM. VAPOR TRIO PROF. 120V	GROUP THERM. STEAM PROF. 120V
I...26	TAPA INTERCAMBIADOR LATON	BRASS EXCHANGER LID
I...28	TORICA INTERCAMB.SILICONA	SILICONE RING
I...31	TUERCA M5 INOX	NUT
I...44	RACOR CODO	RL BOIX FITTING
I...46	REFUERZO TUBO	PIPE REINFORCEMENT
I..157	BRIDA FIJACION FUSIBLE/TERMOMETRO	FIXING FLANGE
I..259	ELECTROV. 3 VIAS PASO 1.2 230V 1/8-1/8 0-15BAR	3 WAY SOLENOID
I..291	TORNILLO FIJACION INTERC.VAPOR INOX	SCREW ALLEN M5X30
I..333	PIPETA PLASTICO 90°	RUBBER FITTING
I..356	TORNILLO ALLEN M5x15 INOX	ALLEN SCREW
I..364	INTERCAMBIADOR LATON+RESISTENCIA 220V	220V RES+BRASS THERMOBLOCK
I..396	ARANDELA DENTADA M5 INOX	WASHER
I..469	BOMBA NME4RF 230V/50Hz	STEAM PUMP NME4RF
I..478	PROLONGACION INTERCAM.VAPOR	PROLONGATION
I..485	TUERCA FIJACION NIQUEL QUIMICO	NUT
I..494	BOMBA NME4RF 120V	120V NME4RF PUMP
I..585	SOPORTE GRUPO VAPOR	STEAM GROUP SUPPORT
I..706	ELECTROVALVULA 3 VIAS PASO 1.2 120V 1/8-1/8 0-15BAR	120V 3 WAYS SOLENOID
I..732	TUBO TEFLON 4x6 (130 mm)	4x6 (130 mm) TEFLON PIPE
I..740	TUBO TEFLON 4x6 (80mm)	4x6 (80mm) TEFLON PIPE
I..743	INTERCAMBIADOR LATON+RESISTENCIA 700W/120V	700W/120V BRASS THERMOBLOCK
I.1138	TORNILLO DIN 7985 M5x15 INOX	SCREW DIN 7985 M5x15 INOX
I.1183	ARANDELA GRIFO AGUA	WATER TAP WASHER
I.1184	MUELLE GRIFO SALIDA VAPOR-AGUA	STEAM - WATER OUTLET TAP SPRING
I.1185	GUIA MUELLE GRIFO AGUA	SPRING GUIDE WATER TAP
I.2618	RACOR CODO MACHO 1/8 LATON	FITTING
I.2625	TAPON M 1/8 INOX	PLUG M 1/8 INOX
I.2989	SILENT BLOCK BOMBA	PUMP SILENT BLOCK
I.3113	RACOR CODO M 1/8"R - H 1/8"G INOX	FITTING ELBOW M 1/8"R - H 1/8"G
I.3691	RACOR EV - SALIDA AGUA	RACORD SOLENOID - WATER EXIT
I.3692	TUERCA RACOR EV - SALIDA AGUA	RACORD NUT SOLENOID - WATER EXIT
I.4142	TUBO VAPOR MD STEEL UNO/DUO PROF PTFE D.10mm	UNO/DUO PROF PIPE PTFE D.10mm
PM.501	CONJUNTO LANZA VAPOR TRIO 2020	HEAT PIPE TRIO/DUO PROF 2020

DUO



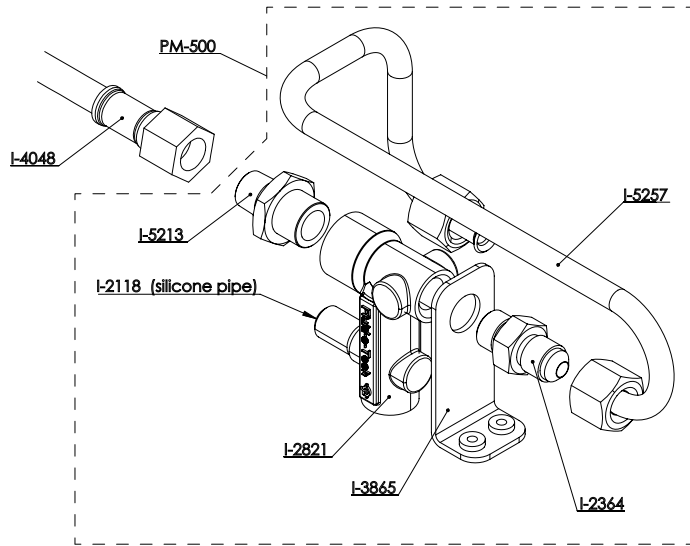
TRIO



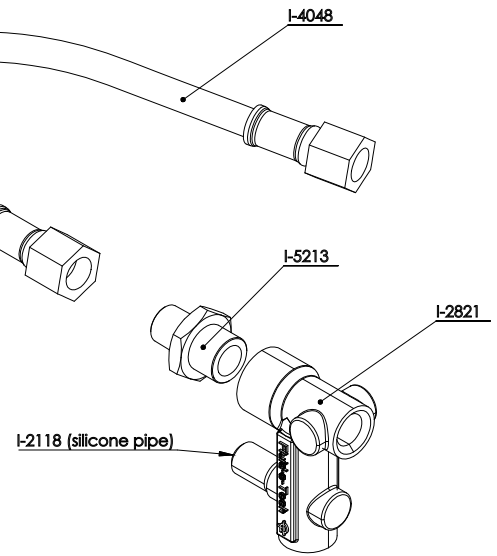
REF.	DESCRIPCIÓN
I...44	RACOR CODO
I...94	TUERCA APRIETE GRIFO
I..456	CONEXION SALIDA AGUA
I..457	BOQUILLA SALIDA AGUA
I..465	ELECTROVALVULA 2 VIAS 1/8x1/8 230V 0-10BAR
I..481	ARANDELA COBRE 12X16X1,5mm
I..495	ELECTROV.2 VIAS 1/8x1/8 120V 0-10BAR
I..909	ATOMIZADOR AGUA
I.2364	RACOR CONTADOR VOLUMETRICO 1/8"-1/8" INOX
PM..52	ELECTROVALVULA AGUA DUO PROF 230V
PM..53	ELECTROVALVULA AGUA DUO PROF 110V
PM.543	CONJUNTO SALIDA AGUA + ATOMIZADOR
PM.634	ELECTROVALVULA AGUA DUO PROF 230V 2022
PM.635	ELECTROVALVULA AGUA DUO PROF 110V 2022

DESCRIPTION
RL BOIX FITTING
TAP NUT
OUTLET WATER CONECTION
OUTLET WATER
1/8x1/8 230V 0-10BAR SOLENOID
12x16x1.5 WASHER
1/8x1/8 120V 0-10BAR 110V SOLENOID
WATER ATHOMIZER
FITTING VOLUMETRIC CONTROL 1/8"-1/8"
230V PROF WATER SOLENOID VALVE WHOLE
110V PROF WATER SOLENOID VALVE WHOLE
WATER OUTLET SET + ATOMIZER
230V PROF WATER SOLENOID VALVE WHOLE 2022
110V PROF WATER SOLENOID VALVE WHOLE 2022

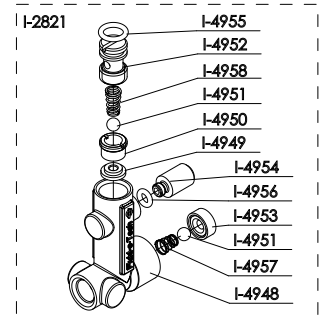
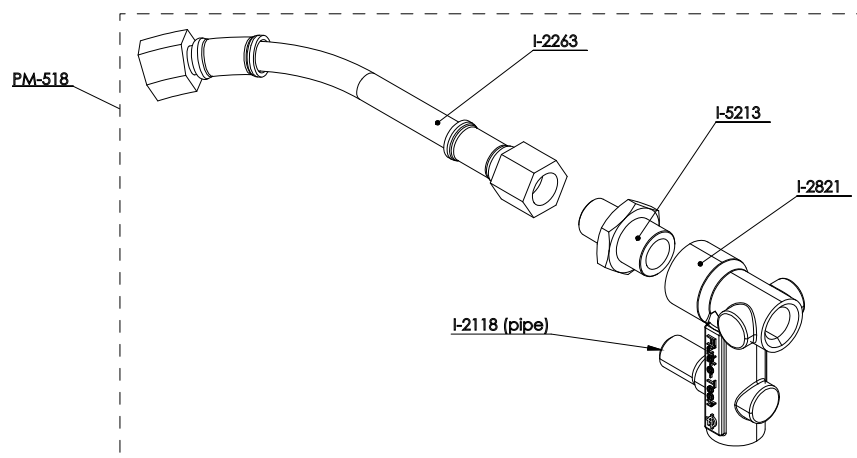
OPV UNO / UNO PID / DUO / DUO PID (+07/2022)



OPV UNO / UNO PID / DUO / DUO PID (-07/2022)

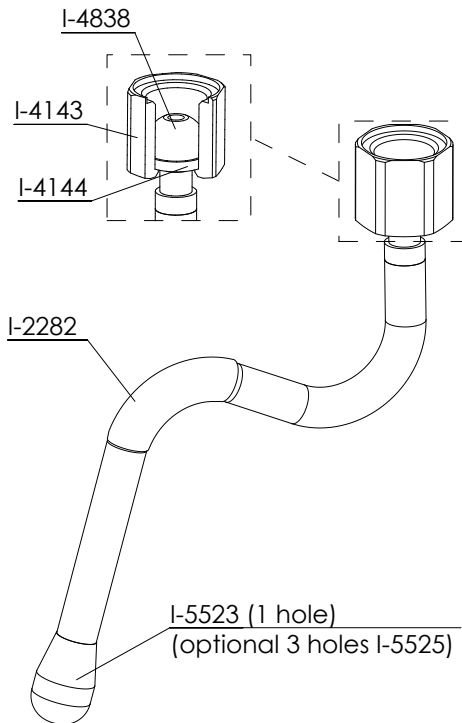


OPV TRIO

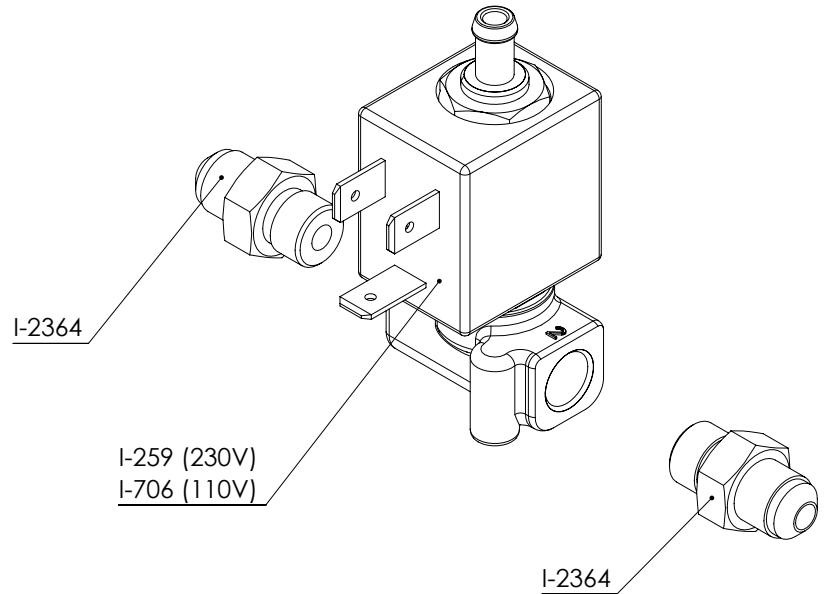


REF.	DESCRIPCIÓN	DESCRIPTION
I.2118	TUBO SILICONA 5X8 (160mm)	SILICONE PIPE 5X8 (160mm)
I.2263	TUBO FLEXIBLE ENTRADA AGUA TRIO L=120mm	TRIO FLEXO PIPE
I.2364	RACOR CONTADOR VOLUMETRICO 1/8"-1/8" INOX	FITTING VOLUMETRIC CONTROL 1/8"-1/8"
I.2821	BYPASS	BYPASS
I.3865	SOPORTE OPV STEEL UNO/DUO	SUPPORT OPV STEEL UNO/DUO
I.4048	FLEXO INOX 1/8 250MM ASIENTO PLANO	FLEXO PIPE 1/8 (250MM)
I.4948	CUERPO BY-PASS I-2821	BODY BY-PASS I-2821
I.4949	ASIENTO ESFERA REGULADOR BY-PASS I.2821	REGULATING BALL SEAT BY-PASS I.2821
I.4950	TUERCA INTERIOR REGULADOR BY-PASS I.2821	INTERNAL REGULATOR NUT I.2821
I.4951	BOLA CRISTAL BY-PASS I.2821	CRYSTAL BALL BY-PASS I.2821
I.4952	REGULADOR BY-PASS I-2821	REGULATOR BY-PASS I.2821
I.4953	ASIENTO ESFERA ENTRADA AGUA BY-PASS I-2821	WATER ENTRY BALL SEAT BY-PASS I.2821
I.4954	RACOR SALIDA AGUA BY-PASS I-2821	WATER OUTLET FITTING I.2821
I.4955	O-RING REGULADOR BY-PASS I-2821	O-RING REGULATOR BY-PASS I-2821
I.4956	O-RING RACO SALIDA AGUA BY-PASS I.2821	O-RING RACO WATER OUTLET BY-PASS I-2821
I.4957	MUELLE ENTRADA AGUA BY-PASS I.2821	WATER INLET SPRING PIER BY-PASS I.2821
I.4958	MUELLE REGULADOR BY-PASS I.2821	REGULATING SPRING BY-PASS I.2821
I.5213	RACOR OPV M12X1 - M 1/8 H	BY-PASS FITTING M12X1 - M 1/8 H
I.5257	TUBO COBRE OPV UNO/DUO	UNO/DUO OPV COPPER PIPE
PM.500	CONJUNTO OPV STEEL	OPV STEEL ASSEMBLY
PM.518	CONJUNTO OPV STEEL TRIO	OPV STEEL TRIO ASSEMBLY

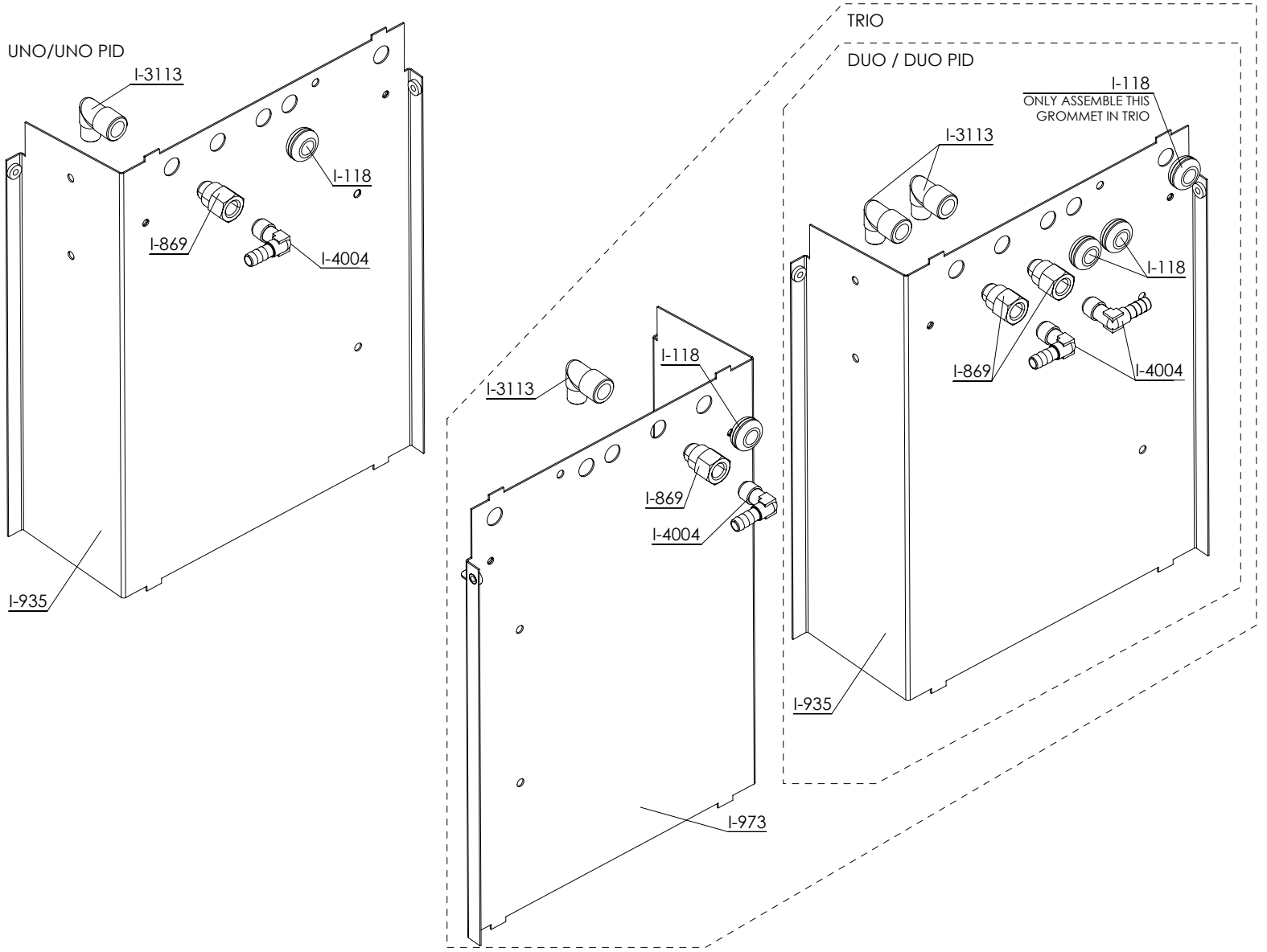
I-4142 - STEAM PIPE PTFE D.10mm



PM.598 - SOLENOID ASSY 230V (+07/2022)
PM.599 - SOLENOID ASSY 120V (+07/2022)

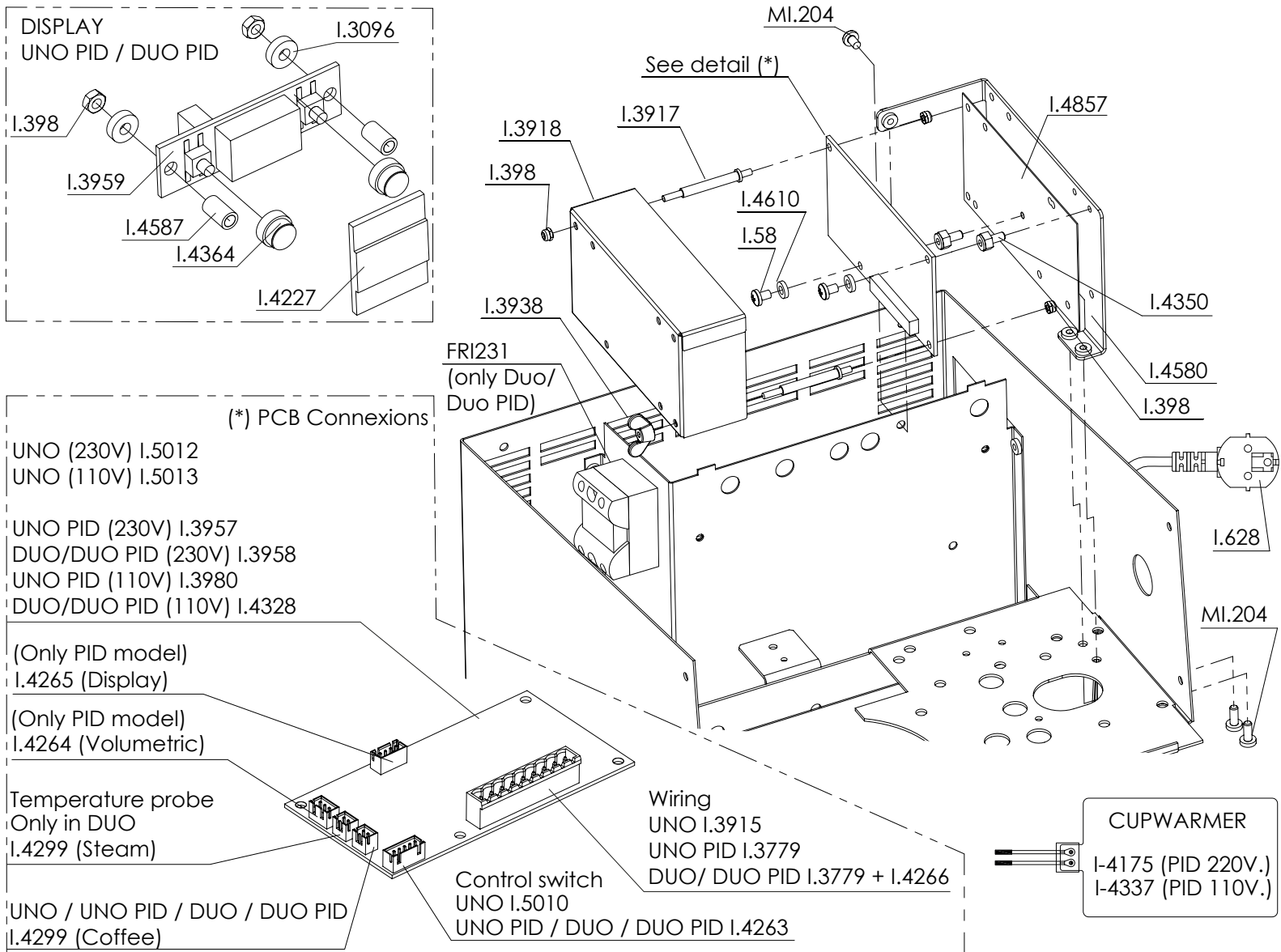


REF.	DESCRIPCIÓN	DESCRIPTION
I..259	ELECTROV. 3 VIAS PASO 1.2 230V 1/8-1/8 0-15BAR	3 WAY SOLENOID
I..706	ELECTROVALVULA 3 VIAS PASO 1.2 120V 1/8-1/8 0-15BAR	120V 3 WAYS SOLENOID
I.2282	PROTECTOR TUBO VAPOR INOX BARISTA D.10mm	STEAM TUBE PROTECTOR BARISTA D.10mm
I.2364	RACOR CONTADOR VOLUMETRICO 1/8"-1/8" INOX	FITTING VOLUMETRIC CONTROL 1/8"-1/8"
I.4142	TUBO VAPOR MD STEEL UNO/DUO PROF PTFE D.10mm	UNO/DUO PROF PIPE PTFE D.10mm
I.4143	TUERCA TUBO VAPOR/AGUA PTFE	NUT STEAM/ WATER PTFE
I.4144	JUNTA TEFLON TUBO VAPOR/AGUA PTFE	TEFLON GASKET STEAM/ WATER PTFE
I.4838	ROTULA TUBO VAPOR BARISTA PTFE D.10mm (D14,5x28)	BALL JOINT STEAM TUBE BARISTA D.10mm (D14,5x28)
I.5523	SALIDA TUBO VAPOR 1xD1.1mm MD STEEL UNO/DUO PROF PTFE D.10mm	STEAM OUTLET MD STEEL UNO/DUO PROF PTFE D.10mm (D1.1)
I.5525	SALIDA VAPOR MD STEEL UNO/DUO PROF PTFE D.10mm (3xD.0.7)	MD STEEL UNO/DUO PROF PTFE D.10mm (3xD.0.7) STEAM OUTLET
PM.598	CONJUNTO EV DREAM 230V 2022	SOLENOID DREAM 230V 2022
PM.599	CONJUNTO EV DREAM 120V 2022	SOLENIOD DREAM 120V 2022

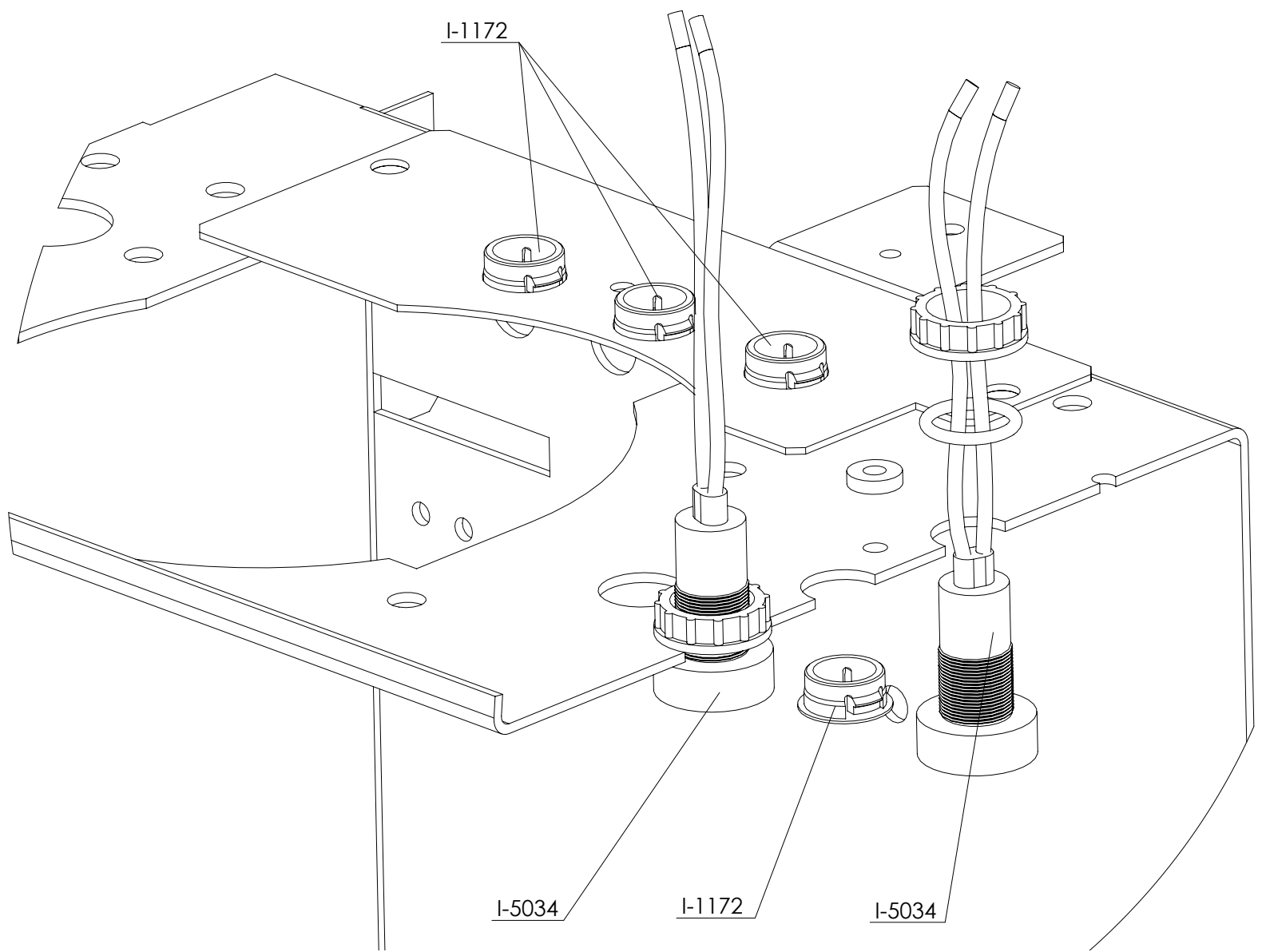


REF.	DESCRIPCIÓN
I..118	PASACABLE
I..869	RACOR BASIC 2070 1/8" 1/8" 22
I..935	COMPARTIMENTO DEPOSITO DRCH.
I..973	COMPARTIMENTO DEPOSITO IZQ.
I.3113	RACOR CODO M 1/8"R - H 1/8"G INOX
I.4004	RACOR CODO 1/8 MANGUERA 7 INOX

DESCRIPTION
WIRINGPIN
BASIC FITTING 2070 1/8" 1/8" 22
PLATE TANK (RIGHT)
COMPARTMENT LEFT TANK
FITTING ELBOW M 1/8"R - H 1/8"G
ELBOW FITTING 1/8

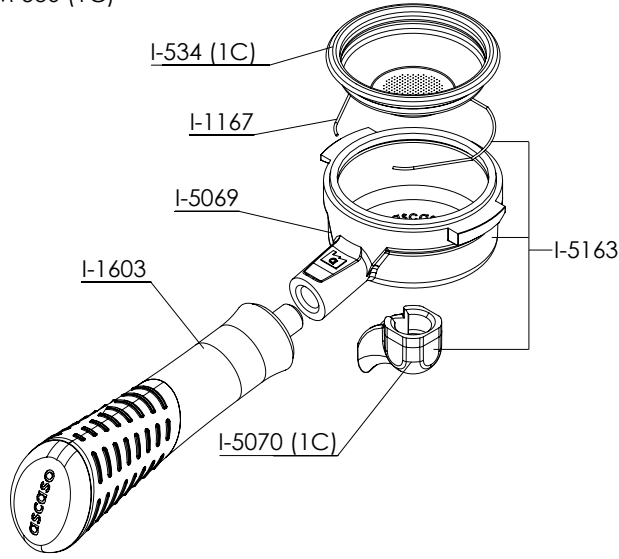


REF.	DESCRIPCIÓN	DESCRIPTION
FRI231	RELE	RELAY
I...58	TORNILLO BRIDA FUSIBLE INOX	SCREW
I..398	TORNILLO INOX APRIETE PF	TUERCA AUTOBLOCANTE M3 INOX
I..628	CABLE RED STEEL 1.5 HOMOLOGADO	STEEL WIRING
I.3096	JUNTA INTERCAMBIADOR	HEAT EXCHANGER GASKET
I.3779	CABLEADO GRUPO UNO PROF PID 2017	WIRING GROUP UNO PROF PID 2017
I.3915	CABLEADO GRUPO UNO PROF 2016 C.ELECT.	GROUP WIRING UNO PROF 2016 ELECT. C.
I.3917	SEPARADOR TAPA CIRCUITO ELECTR. STEEL	ELECTRONIC CIRCUIT SUPPORT STEEL
I.3918	TAPA CIRCUITO TERMOSTATO ELECT. STEEL	ELECT. THERM. CIRCUIT COVER STEEL
I.3938	TUERCA CON ALAS M3	WING NUT M3
I.3957	CIRCUITO MULTIFUNCION+DISPLAY 230V	MULTIFUNCTION+DISPLAY PCB 230V
I.3958	CIRCUITO MULTIFUNCION DUO+DISPLAY	STEEL DUO MULTIFUNCTION+DISPLAY PCB
I.3959	DISPLAY DREAM/STEEL PID	DREAM DISPLAY MULTIFUN. CIRCUIT
I.3980	CIRCUITO MULTIFUNCION+DISPLAY 110V	MULTIFUNCTION+DISPLAY PCB 110V
I.4175	RESISTENCIA CALIENTATAZAS DREAM / STEEL PID 230V 10W	CUPWARMER DREAM / STEEL PID 230V 10W
I.4227	MIRILLA PANTALLA STEEL PID	SCREEN STEEL PID
I.4263	CABLE BOTONERA DREAM / STEEL PID	BUTTON PANEL WIRE DREAM / STEEL PID
I.4264	CABLE VOLUMETRICO DREAM / STEEL PID	FLOWMETER WIRE DREAM / STEEL PID
I.4265	CABLE DISPLAY DREAM / STEEL PID	WIRING DISPLAY DREAM / STEEL PID
I.4266	CABLEADO DUO PID	WIRING DUO PID
I.4299	SONDA TEMPERATURA INOX PID (M4) 2017	TEMPERATURE PROBE. INOX PID (M4) 2017
I.4328	CIRCUITO MULTIFUNCION DUO+DISPLAY 110V	DUO MULTIFUNCTION + DISPLAY PCB 110V
I.4337	RESISTENCIA CALIENTATAZAS DREAM / STEEL PID 110V 10W UL	CUPWARMER DREAM / STEEL PID 110V
I.4350	SEPARADOR NYLON M4xM4 ALTURA 5MM	SPACER NYLON M4xM4 HEIGHT 5MM
I.4580	SOPORTE CIRCUITO STEEL 2019	CIRCUIT SUPPORT STEEL 2019
I.4587	CASQUILLO MONTAJE DISPLAY STEEL PID	DISPLAY MOUNTING BRACKET STEEL PID
I.4610	JUNTA 8,5x4,4x2 PTFE	GASKET 8,5x4,4x2 PTFE
I.4857	AISLANTE CENTRALITA HOME/STEEL	HOME/STEEL PCB PLASTIC PROTECTOR
I.5010	CABLEADO BOTONERA UNO PROF 2020	BUTTON PANNEL WIRING UNO PROF 2020
I.5012	CIRCUITO MULTIFUNCION 230V. 2020	MULTIFUNCTION CIRCUIT 230V. 2020
I.5013	CIRCUITO MULTIFUNCION 110V. 2020	MULTIFUNCTION CIRCUIT 110V. 2020
MI.204	TORNILLO M4x10 INOX	SCREW

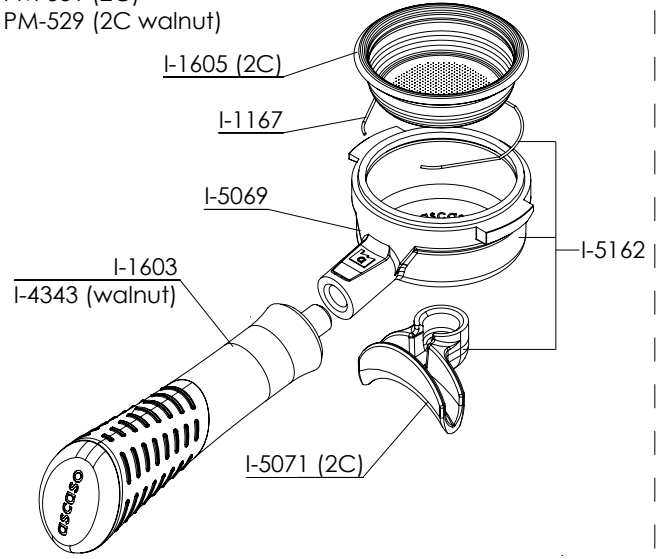


REF.	DESCRIPCIÓN	DESCRIPTION
I.1172	TAPON CUERPO DREAM	DREAM BODY TAP
I.5034	LED LUZ BLANCA 230V +TUERCA+TORICA	LED 230V.

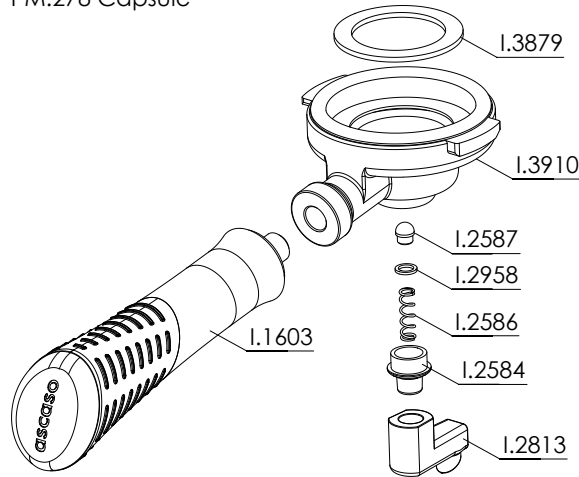
PM-530 (1C)



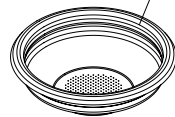
PM-531 (2C)
PM-529 (2C walnut)



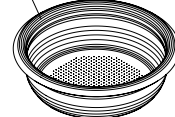
PM.278 Capsule



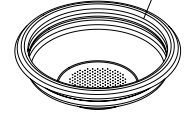
I-2669 (1C SC)



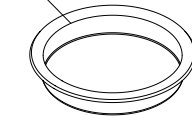
I-2670 (2C SC)



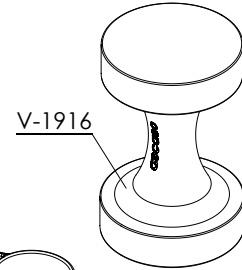
I-555 (POD)



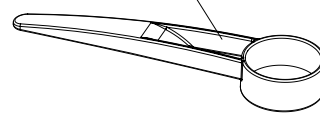
I-1182 (Ciego/Blind)



V-1916

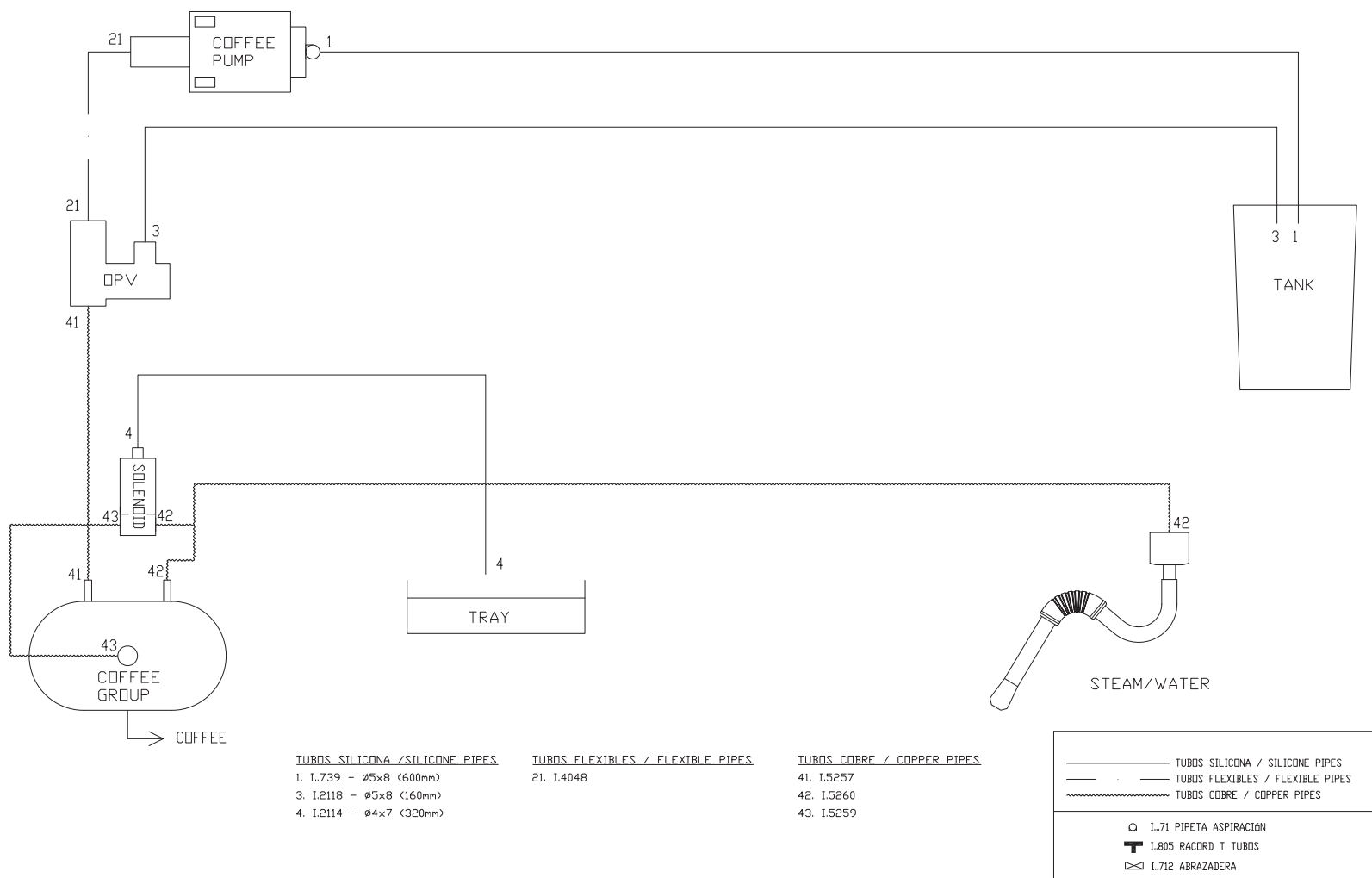


I-200

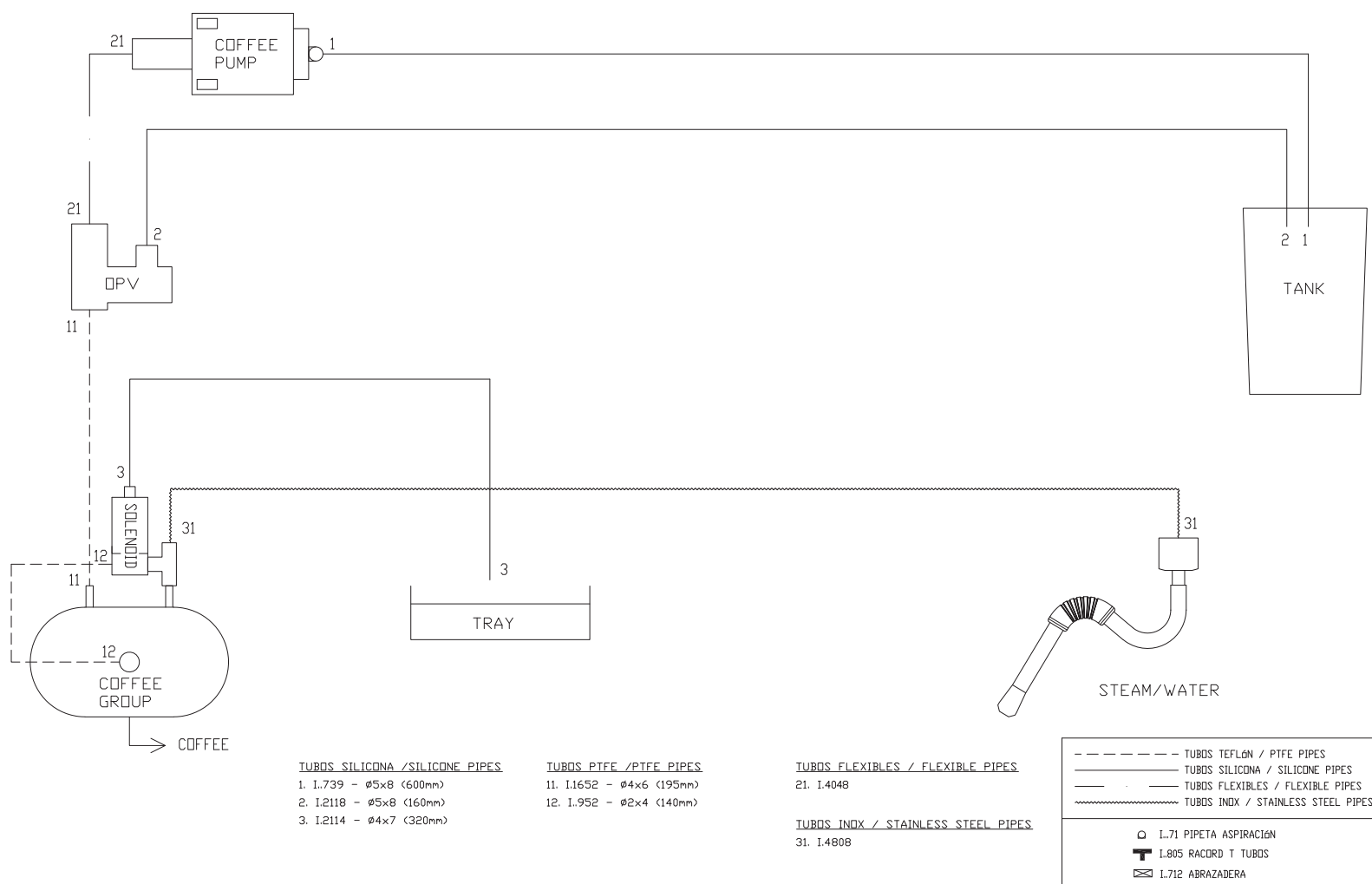


REF.	DESCRIPCIÓN
I..200	CUCHARA MEDIDORA
I..534	CACILLO 1 CAFE PROFESIONAL
I..555	CACILLO POD PROF.
I.1167	ARO RETENCION FILTRO PROF. (D.1MM)
I.1182	CACILLO CIEGO PROF/BARISTA
I.1603	MANGO PORTAFILTRO BARISTA
I.1605	CACILLO 2 CAFE
I.2584	CIERRE S.CREMA KAP
I.2586	MUELLE S.CREMA BAR KAP
I.2587	VALVULA S.CREMA KAP
I.2669	CACILLO 1C SC PROF.
I.2670	CACILLO 2C SC PROF
I.2813	SALIDA CAFE KAP/BAR KAP
I.2958	ARANDELA APOYO
I.3879	JUNTA PLANA PORTA CAPSULAS 36.5x50x2
I.3910	CUERPO PORTA CAPSULA FAP BARISTA-BAR-STEEL 016
I.4343	MANGO PORTA MADERA BARISTA T/ BIG DREAM PLUS NOGAL
I.5069	CUERPO PORTAFILTRO INOX
I.5070	SALIDA 1 CAFE ABIERTA INOX
I.5071	SALIDA 2 CAFES ABIERTA INOX
I.5162	PORTAFILTRO M12 INCLINADO EXTRA PROFUNDO INOX. 2 CAFE
I.5163	PORTAFILTRO M12 INCLINADO EXTRA PROFUNDO INOX. 1 CAFE
PM.278	PORTAFILTRO COMPLETO METÁLICO CAPSULA FAP
PM.529	PORTAFILTRO INOX. COMPLETO NOGAL 2 CAFES
PM.530	PORTAFILTRO INOX. COMPLETO 1 CAFE
PM.531	PORTAFILTRO INOX. COMPLETO 2 CAFES
V.1916	PRENSA CAFE ALUMINIO 57/58mm

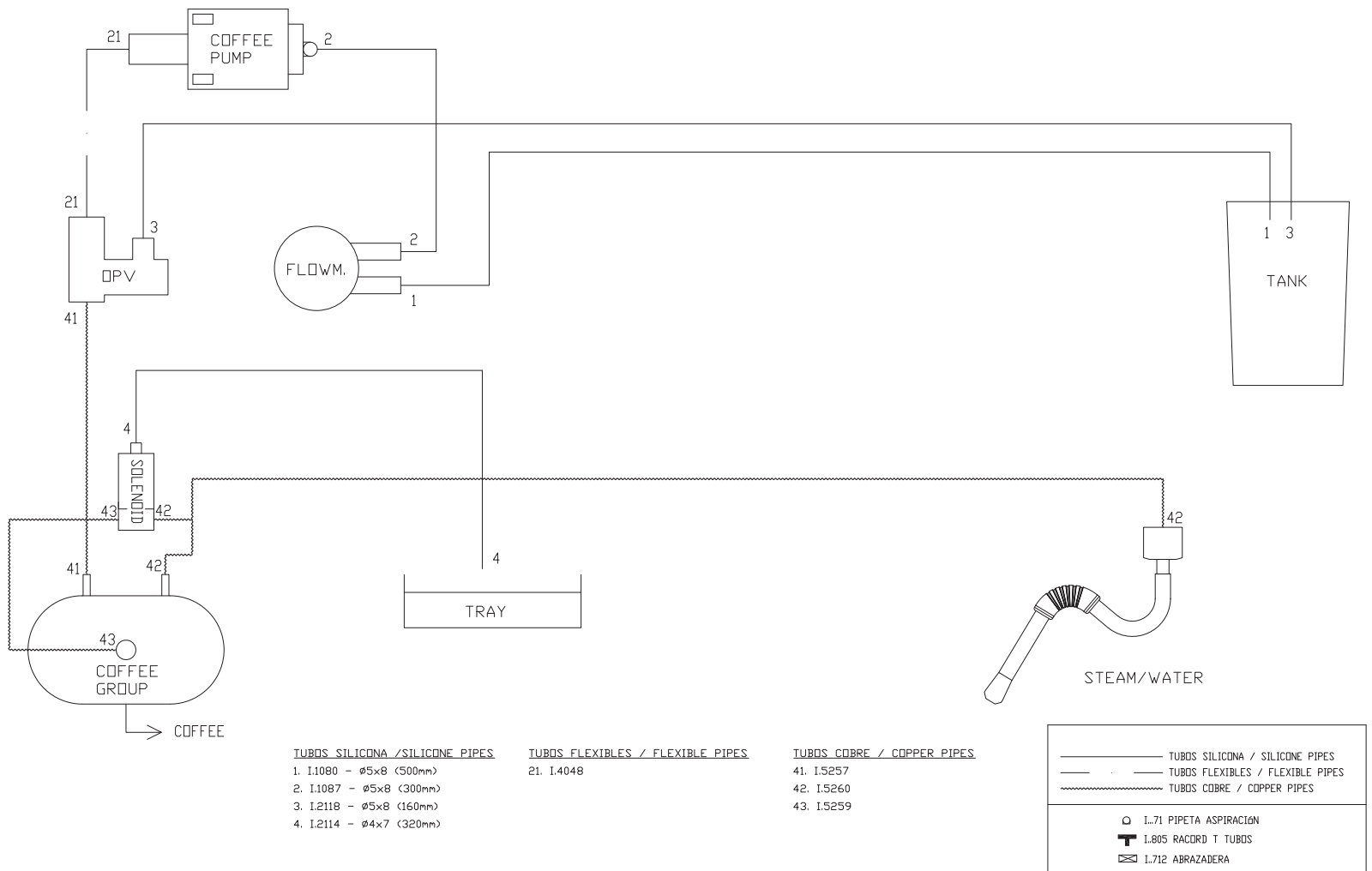
DESCRIPTION
SPOON
PROFESSIONAL 1 COFFEE FILTER
POD PROF. FILTER
PROF FILTER SPRING
PROF BLIND FILTER
FILTERHOLDER HANDLE
2 COFFEES FILTER
EXTRA CREAM STOP KAP
BAR KAP S.CREAM SPRING
KAP S.CREAM VALVE
FILTER 1C SC PROF.
FILTER 2C SC PROF.
COFFEE EXIT KAP/BAR KAP
WASHER
SILICONE WASHER
FILTERHOLDER CAPS. FAP BARISTA-BAR-STEEL 016
SET HANDLE WALNUT WOOD BARISTA / BIG DREAM PLUS
EXTRA DEEP INCLINED FILTER HOLDER BODY M12 STAINLESS
OUTPUT 1 OPEN STAINLESS STEEL COFFEE
OUTPUT 2 OPEN STAINLESS STEEL COFFEE
2 COFFEE EXTRA DEEP INCLINED FILTER HOLDER M12 STAINLESS
1 COFFEE EXTRA DEEP INCLINED FILTER HOLDER M12 STAINLESS
FILTERHOLDER CAPSULE BARISTA-BAR-STEEL 016
2 COFFEE STAINLESS COMPLETE FILTERHOLDER WALNUT WOOD
1 COFFEE STAINLESS COMPLETE FILTERHOLDER
2 COFFEES STAINLESS COMPLETE FILTERHOLDER
ALUMINUM COFFEE TAMPER



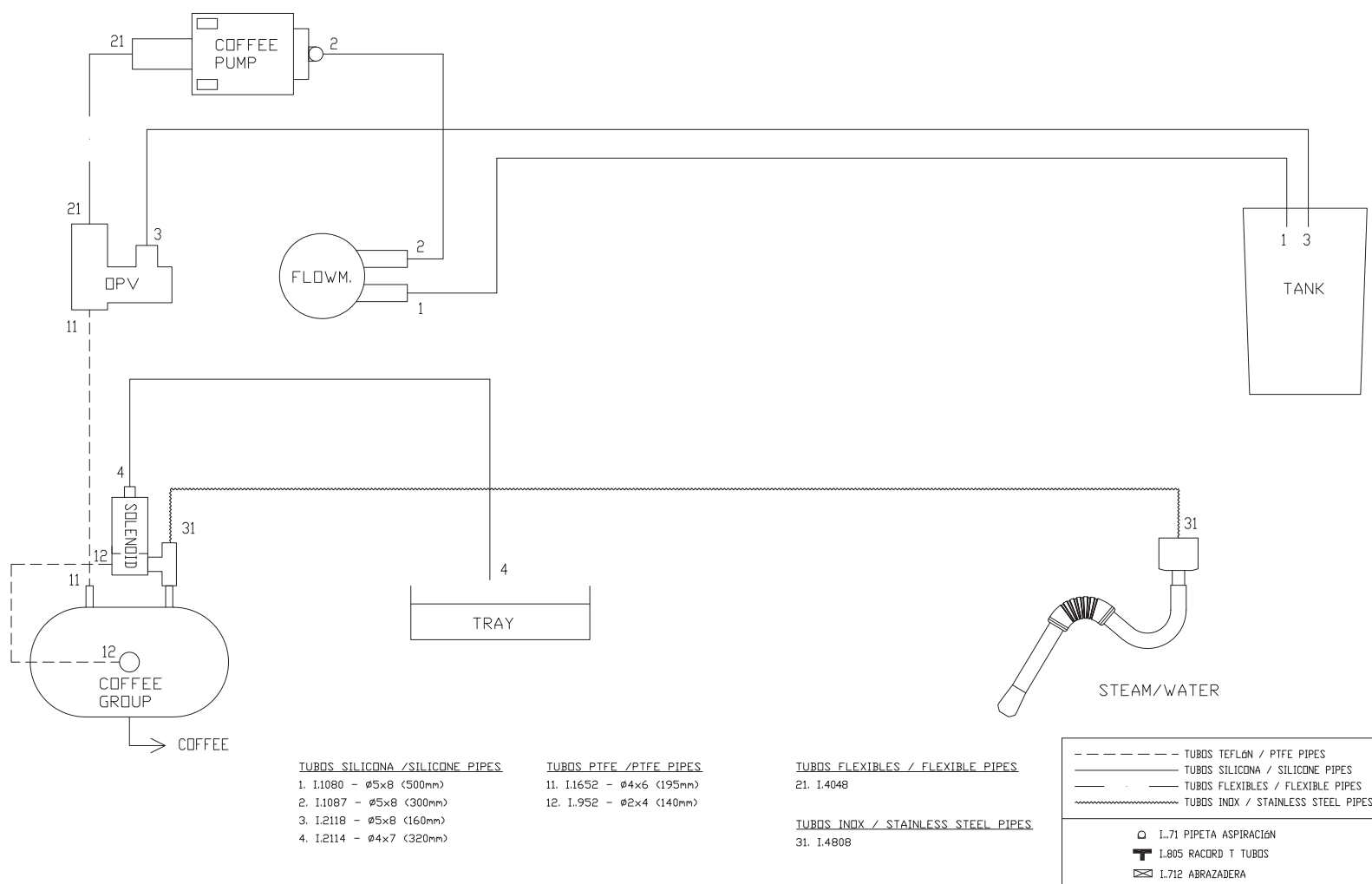
REF.	DESCRIPCIÓN	DESCRIPTION
I...71	PIPETA ASPIRACION	90° FITTING
I.712	ABRAZADERA PARA LATIGUILLOS 8-9.2	CLAMP
I.739	TUBO SILICONA 5x8 (600mm)	5x8 (600mm) SILICONE PIPE
I.2114	TUBO SILICONA 4X7 (320mm)	SILICONE PIPE 4X7 (320mm)
I.2118	TUBO SILICONA 5X8 (160mm)	SILICONE PIPE 5X8 (160mm)
I.4048	FLEXO INOX 1/8 250MM ASIENTO PLANO	FLEXO PIPE 1/8 (250MM)
I.5257	TUBO COBRE OPV UNO/DUO	UNO/DUO OPV COPPER PIPE
I.5259	TUBO COBRE SALIDA CAFE STEEL	STEEL COFFEE OUTLET COPPER PIPE
I.5260	TUBO COBRE DISTRIBUIDOR UNO	UNO DISTRIBUTION COPPER PIPE



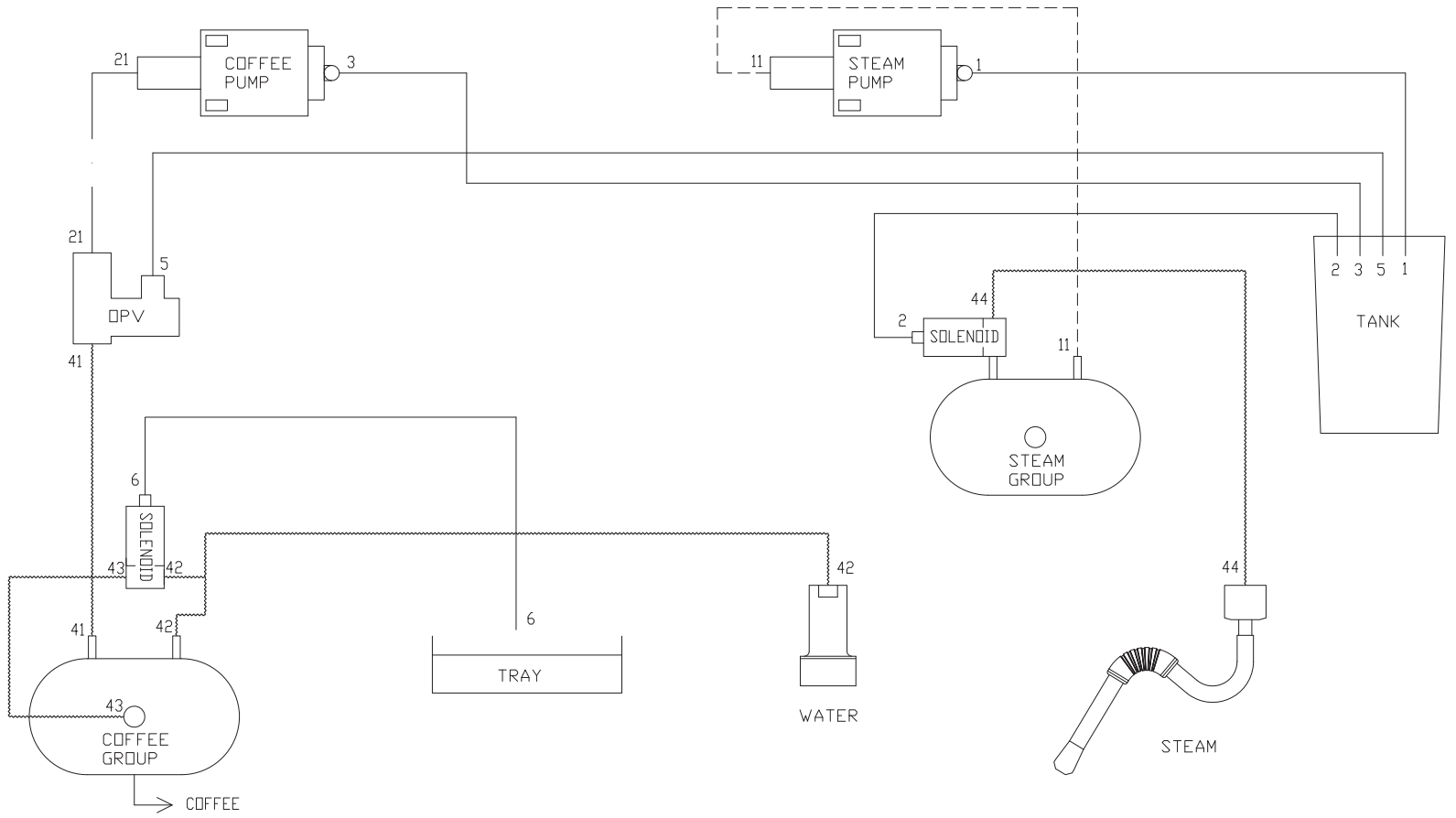
REF.	DESCRIPCIÓN	DESCRIPTION
I...71	PIPETA ASPIRACION	90° FITTING
I.712	ABRAZADERA PARA LATIGUILLOS 8-9.2	CLAMP
I.739	TUBO SILICONA 5x8 (600mm)	5x8 (600mm) SILICONE PIPE
I.805	RACOR T TUBOS	FITTING T
I.952	TUBO TEFLON 2X4 (140mm)	2x4 (140mm) TEFLON PIPE
I.1652	TUBO TEFLON 4X6 (195mm)	WATER INLET PTFE PIPE
I.2114	TUBO SILICONA 4X7 (320mm)	SILICONE PIPE 4X7 (320mm)
I.2118	TUBO SILICONA 5X8 (160mm)	SILICONE PIPE 5X8 (160mm)
I.4048	FLEXP INOX 1/8 250MM ASIENTO PLANO	FLEXP PIPE 1/8 (250MM)
I.4808	TUBO VAPOR INOX STEEL UNO	STAINLESS STEEL STEAM PIPE STEEL UNO



REF.	DESCRIPCIÓN	DESCRIPTION
I...71	PIPETA ASPIRACION	90° FITTING
I.712	ABRAZADERA PARA LATIGUILLOS 8-9.2	CLAMP
I.1080	TUBO SILICONA 5X8 (500mm)	SILICONE PIPE 5X8 (500mm)
I.1087	TUBO SILICONA 5X8 (300mm)	SILICONE PIPE 5X8 (300mm)
I.2114	TUBO SILICONA 4X7 (320mm)	SILICONE PIPE 4X7 (320mm)
I.2118	TUBO SILICONA 5X8 (160mm)	SILICONE PIPE 5X8 (160mm)
I.4048	FLEXO INOX 1/8 250MM ASIENTO PLANO	FLEXO PIPE 1/8 (250MM)
I.5257	TUBO COBRE OPV UNO/DUO	UNO/DUO OPV COPPER PIPE
I.5259	TUBO COBRE SALIDA CAFE STEEL	STEEL COFFEE OUTLET COPPER PIPE
I.5260	TUBO COBRE DISTRIBUIDOR UNO	UNO DISTRIBUTION COPPER PIPE



REF.	DESCRIPCIÓN	DESCRIPTION
I...71	PIPETA ASPIRACION	90° FITTING
I.712	ABRAZADERA PARA LATIGUILLOS 8-9.2	CLAMP
I.805	RACOR T TUBOS	FITTING T
I..952	TUBO TEFLON 2X4 (140mm)	2x4 (140mm) TEFLON PIPE
I.1080	TUBO SILICONA 5X8 (500mm)	SILICONE PIPE 5X8 (500mm)
I.1087	TUBO SILICONA 5X8 (300mm)	SILICONE PIPE 5X8 (300mm)
I.1652	TUBO TEFLON 4X6 (195mm)	WATER INLET PTFE PIPE
I.2114	TUBO SILICONA 4X7 (320mm)	SILICONE PIPE 4X7 (320mm)
I.2118	TUBO SILICONA 5X8 (160mm)	SILICONE PIPE 5X8 (160mm)
I.4048	FLEXO INOX 1/8 250MM ASIENTO PLANO	FLEXO PIPE 1/8 (250MM)
I.4808	TUBO VAPOR INOX STEEL UNO	STAINLESS STEEL STEAM PIPE STEEL UNO



TUBOS SILICONA / SILICONE PIPES

1. I.739 - Ø5x8 (600mm)
2. I.2118 - Ø5x8 (160mm)
3. I.1080 - Ø5x8 (500mm)
5. I.2118 - Ø5x8 (160mm)
6. I.2114 - Ø4x7 (320mm)

TUBOS PTFE / PTFE PIPES

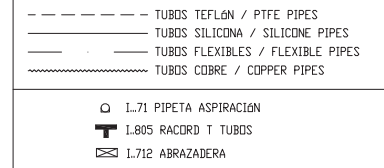
11. I-2136

TUBOS FLEXIBLES / FLEXIBLE PIPES

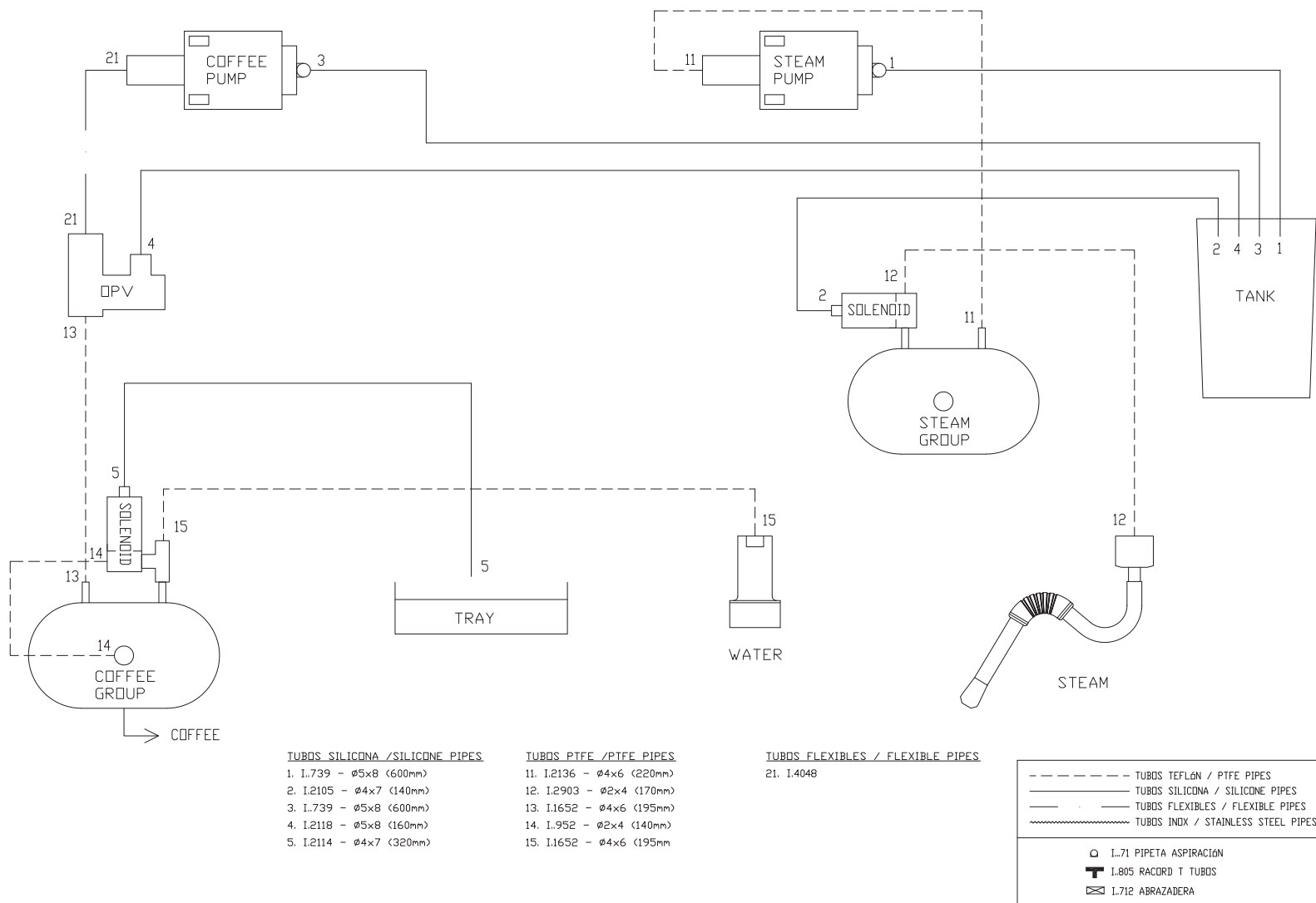
21. I.4048

TUBOS COBRE / COPPER PIPES

41. I.5257
42. I.5261
43. I.5259
44. I.5262 (+09/2022)
- I.5050 (+07/2022 -09/2022)

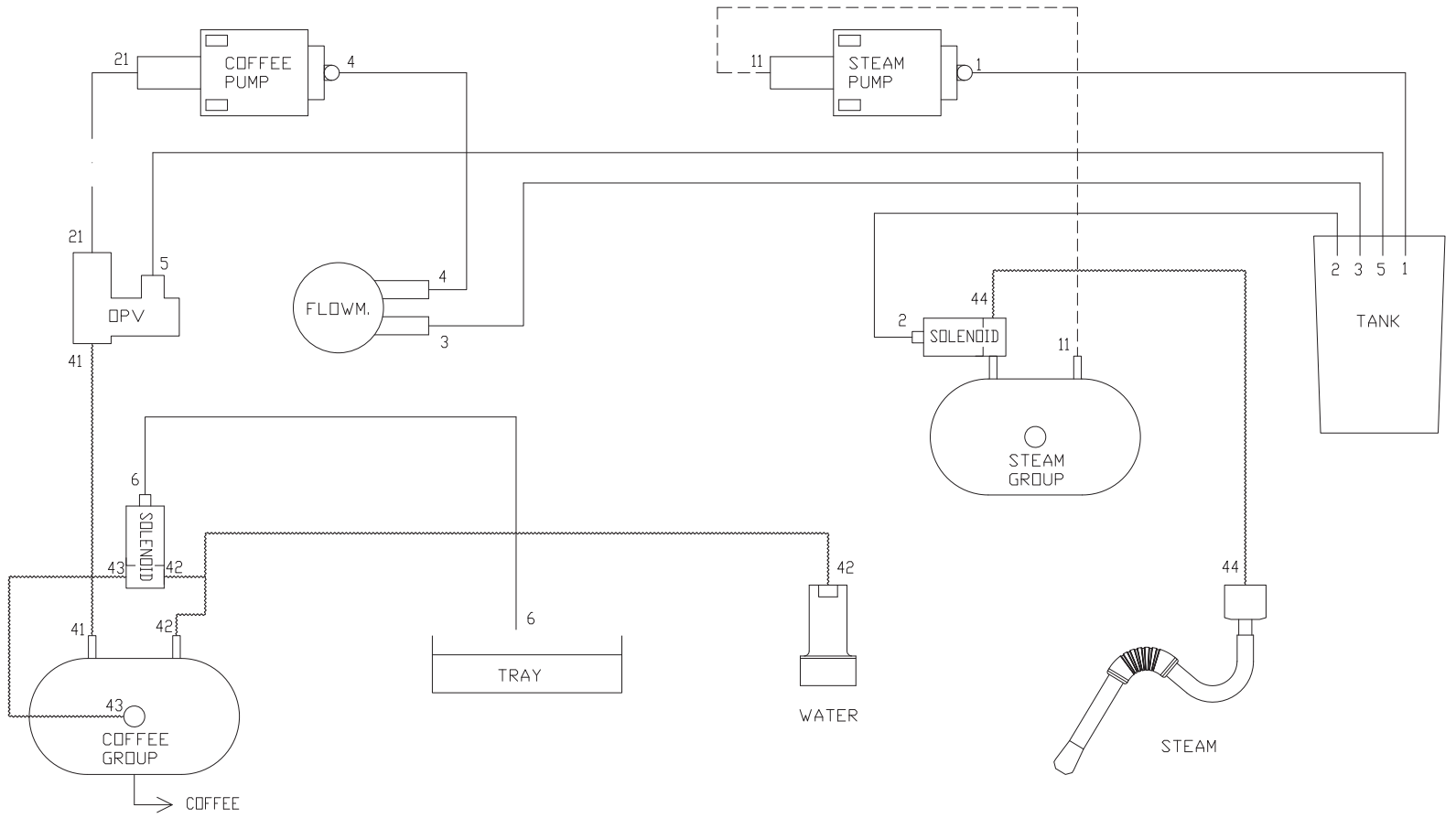


REF.	DESCRIPCIÓN	DESCRIPTION
I...71	PIPETA ASPIRACION	90° FITTING
I..712	ABRAZADERA PARA LATIGUILLOS 8-9.2	CLAMP
I..739	TUBO SILICONA 5x8 (600mm)	5x8 (600mm) SILICONE PIPE
I.1080	TUBO SILICONA 5X8 (500mm)	SILICONE PIPE 5X8 (500mm)
I.2114	TUBO SILICONA 4X7 (320mm)	SILICONE PIPE 4X7 (320mm)
I.2118	TUBO SILICONA 5X8 (160mm)	SILICONE PIPE 5X8 (160mm)
I.2136	TUBO TEFLON 4x6 (220mm)	TEFLON PIPE 4x6 (220mm)
I.4048	FLEXO INOX 1/8 250MM ASIENTO PLANO	FLEXO PIPE 1/8 (250MM)
I.5050	TUBO COBRE VAPOR DUO SENCILLO	DUO STEAM COPPER PIPE
I.5257	TUBO COBRE OPV UNO/DUO	UNO/DUO OPV COPPER PIPE
I.5259	TUBO COBRE SALIDA CAFE STEEL	STEEL COFFEE OUTLET COPPER PIPE
I.5261	TUBO COBRE DISTRIBUIDOR DUO	DUO DISTRIBUTOR COPPER PIPE
I.5262	TUBO COBRE VAPOR DUO	DUO STEAM COPPER PIPE



REF.	DESCRIPCIÓN
I...71	PIPETA ASPIRACION
I..712	ABRAZADERA PARA LATIGUILLOS 8-9.2
I..739	TUBO SILICONA 5x8 (600mm)
I..805	RACOR T TUBOS
I..952	TUBO TEFLON 2X4 (140mm)
I.1652	TUBO TEFLON 4X6 (195mm)
I.2105	TUBO SILICONA 4X7 (140mm)
I.2114	TUBO SILICONA 4X7 (320mm)
I.2118	TUBO SILICONA 5X8 (160mm)
I.2136	TUBO TEFLON 4x6 (220mm)
I.2903	TUBO TEFLON 2X4 (170mm)
I.4048	FLEXO INOX 1/8 250MM ASIENTO PLANO

DESCRIPTION
90° FITTING
CLAMP
5x8 (600mm) SILICONE PIPE
FITTING T
2x4 (140mm) TEFLON PIPE
WATER INLET PTFE PIPE
SILICONE PIPE 4X7 (140mm)
SILICONE PIPE 4X7 (320mm)
SILICONE PIPE 5X8 (160mm)
TEFLON PIPE 4x6 (220mm)
TEFLON PIPE 2X4 (170mm)
FLEXO PIPE 1/8 (250MM)



TUBOS SILICONA / SILICONE PIPES

1. I.739 - \varnothing 5x8 (600mm)
2. I.2118 - \varnothing 5x8 (160mm)
3. I.1080 - \varnothing 5x8 (500mm)
4. I.2107 - \varnothing 5x8 (400mm)
5. I.2118 - \varnothing 5x8 (160mm)
6. I.2114 - \varnothing 4x7 (320mm)

TUBOS PTFE / PTFE PIPES

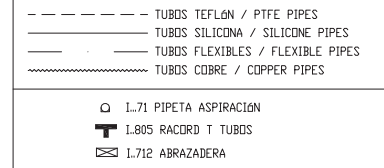
11. I-2136

TUBOS FLEXIBLES / FLEXIBLE PIPES

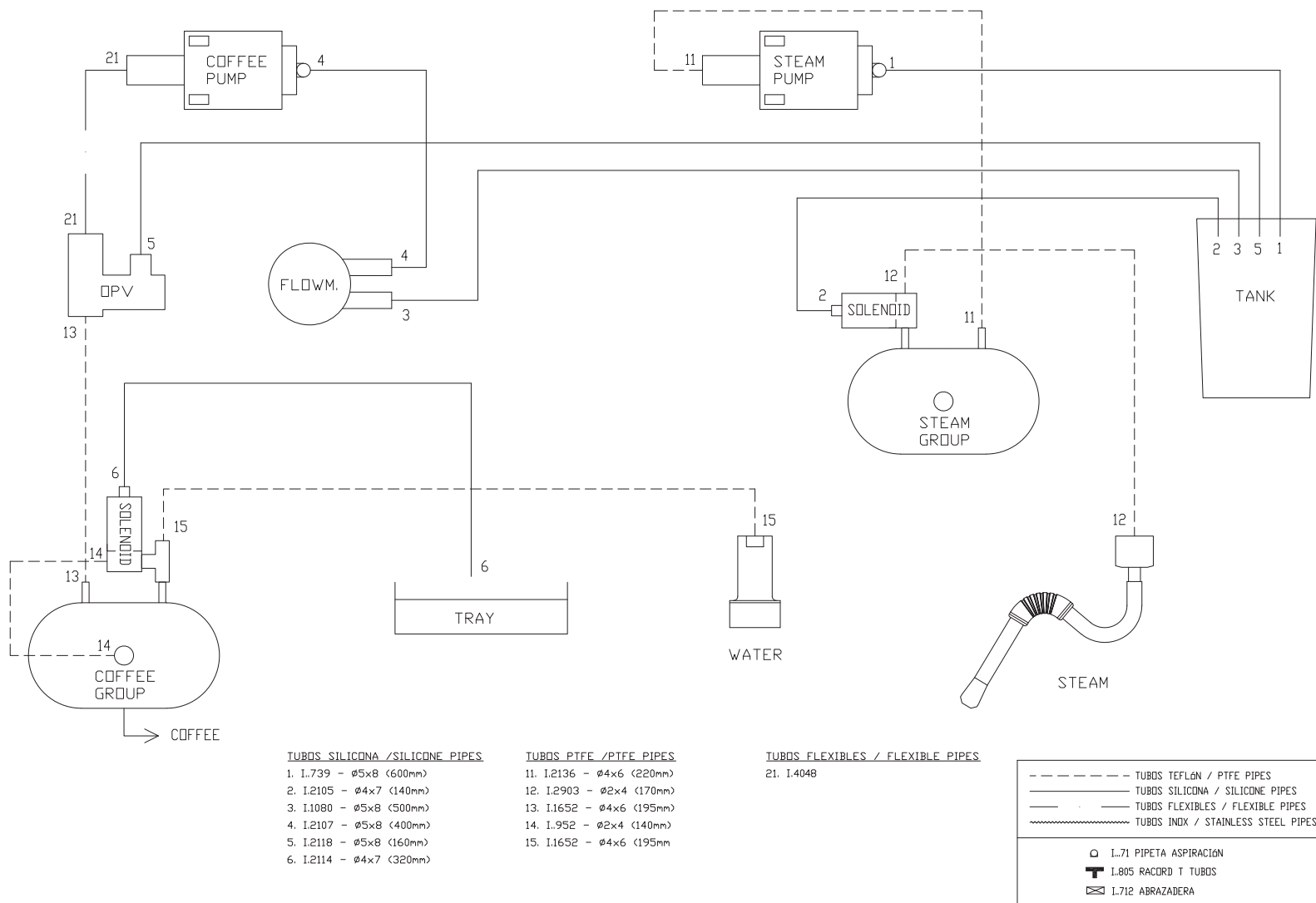
21. I.4048

TUBOS COBRE / COPPER PIPES

41. I.5257
42. I.5261
43. I.5259
44. I.5262 (+09/2022)
- I.5050 (+07/2022 -09/2022)

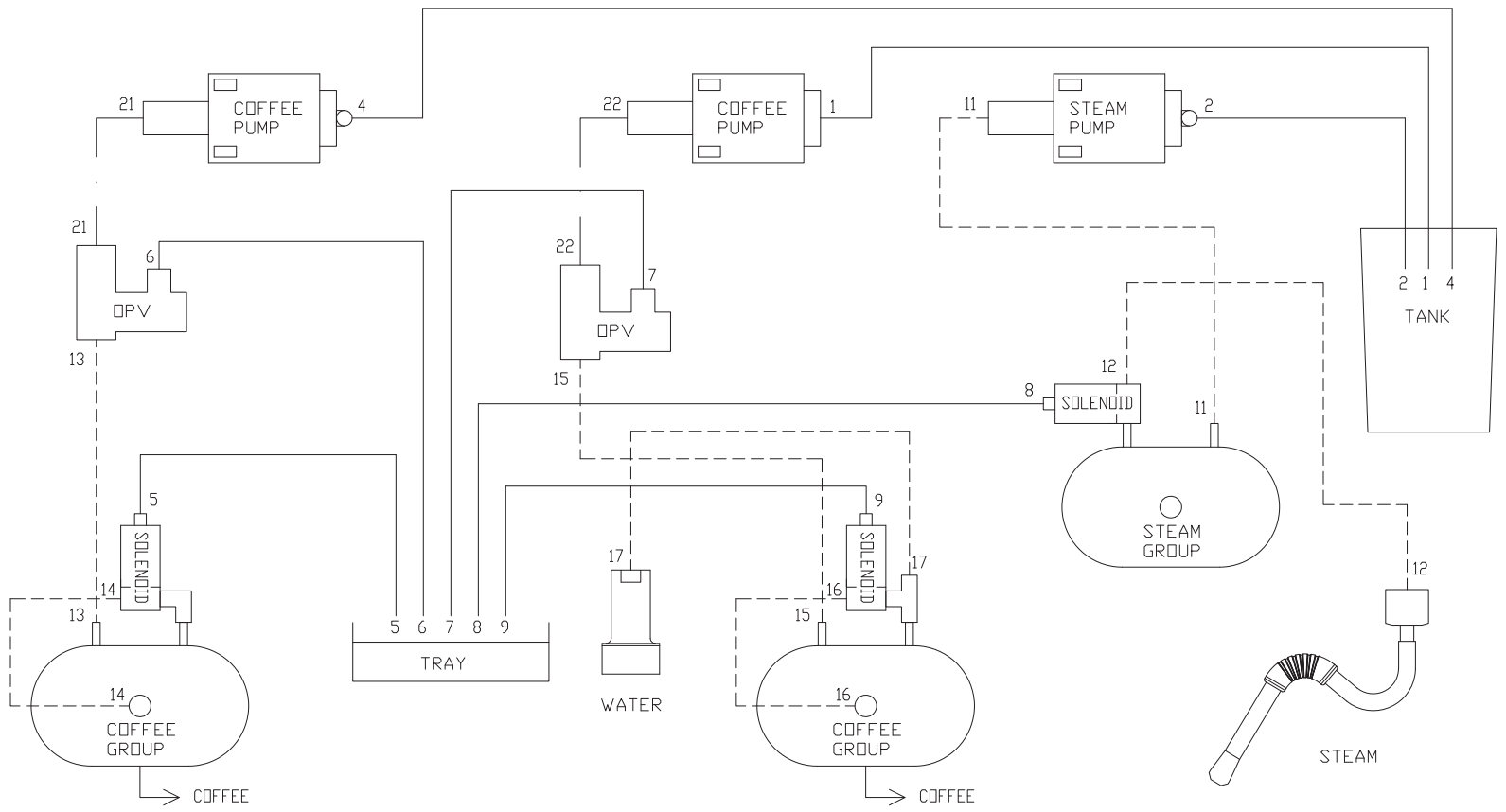


REF.	DESCRIPCIÓN	DESCRIPTION
I...71	PIPETA ASPIRACION	90° FITTING
I..712	ABRAZADERA PARA LATIGUILLOS 8-9.2	CLAMP
I..739	TUBO SILICONA 5x8 (600mm)	5x8 (600mm) SILICONE PIPE
I.1080	TUBO SILICONA 5X8 (500mm)	SILICONE PIPE 5X8 (500mm)
I.2107	TUBO SILICONA 5X8 (400mm)	SILICONE PIPE 5X8 (400mm)
I.2114	TUBO SILICONA 4X7 (320mm)	SILICONE PIPE 4X7 (320mm)
I.2118	TUBO SILICONA 5X8 (160mm)	SILICONE PIPE 5X8 (160mm)
I.2136	TUBO TEFLON 4x6 (220mm)	TEFLON PIPE 4x6 (220mm)
I.4048	FLEXO INOX 1/8 250MM ASIENTO PLANO	FLEXO PIPE 1/8 (250MM)
I.5050	TUBO COBRE VAPOR DUO SENCILLO	DUO STEAM COPPER PIPE
I.5257	TUBO COBRE OPV UNO/DUO	UNO/DUO OPV COPPER PIPE
I.5259	TUBO COBRE SALIDA CAFE STEEL	STEEL COFFEE OUTLET COPPER PIPE
I.5261	TUBO COBRE DISTRIBUIDOR DUO	DUO DISTRIBUTOR COPPER PIPE
I.5262	TUBO COBRE VAPOR DUO	DUO STEAM COPPER PIPE



REF.	DESCRIPCIÓN
I...71	PIPETA ASPIRACION
I..712	ABRAZADERA PARA LATIGUILLOS 8-9.2
I..739	TUBO SILICONA 5x8 (600mm)
I..805	RACOR T TUBOS
I..952	TUBO TEFLON 2X4 (140mm)
I.1080	TUBO SILICONA 5X8 (500mm)
I.1652	TUBO TEFLON 4X6 (195mm)
I.2105	TUBO SILICONA 4X7 (140mm)
I.2107	TUBO SILICONA 5X8 (400mm)
I.2114	TUBO SILICONA 4X7 (320mm)
I.2118	TUBO SILICONA 5X8 (160mm)
I.2136	TUBO TEFLON 4x6 (220mm)
I.2903	TUBO TEFLON 2X4 (170mm)
I.4048	FLEJO INOX 1/8 250MM ASIENTO PLANO

DESCRIPTION
90° FITTING
CLAMP
5x8 (600mm) SILICONE PIPE
FITTING T
2x4 (140mm) TEFLON PIPE
SILICONE PIPE 5X8 (500mm)
WATER INLET PTFE PIPE
SILICONE PIPE 4X7 (140mm)
SILICONE PIPE 5X8 (400mm)
SILICONE PIPE 4X7 (320mm)
SILICONE PIPE 5X8 (160mm)
TEFLON PIPE 4x6 (220mm)
TEFLON PIPE 2X4 (170mm)
FLEJO PIPE 1/8 (250MM)



TUBOS SILICONA / SILICONE PIPES

1. I.1080 - Ø5x8 (500mm)
2. I.739 - Ø5x8 (600mm)
4. I.1080 - Ø5x8 (500mm)
5. I.2114 - Ø4X7 (320mm)
6. I.2118 - Ø5x8 (160mm)
7. I.2118 - Ø5x8 (160mm)
8. I.2118 - Ø5x8 (160mm)
9. I.2114 - Ø4X7 (320mm)

TUBOS PTFE / PTFE PIPES

11. I.2135 - Ø4x6x350
12. I.2129 - Ø2x4 (190mm)
13. I.1652 - Ø4x6 (195mm)
15. I.1652 - Ø4x6 (195mm)
16. I.952 - Ø2x4 (140mm)
17. I.1652 - Ø4x6 (195mm)

TUBOS FLEXIBLES / FLEXIBLE PIPES

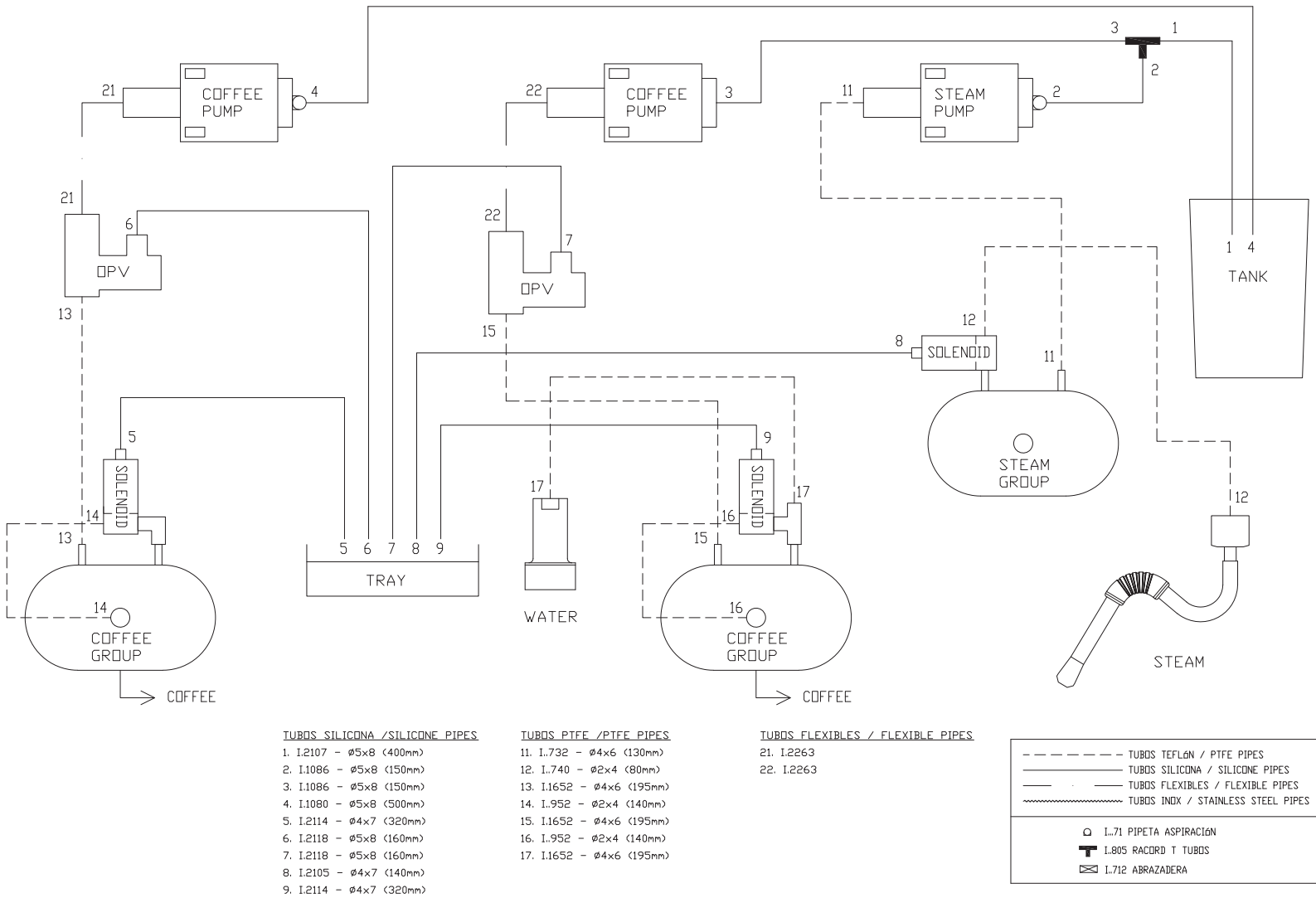
21. I.2263
22. I.2263

- TUBOS TEFLON / PTFE PIPES
 — TUBOS SILICONA / SILICONE PIPES
 - - - TUBOS FLEXIBLES / FLEXIBLE PIPES

- I.71 PIPETA ASPIRACION
 T I.805 RACORD T TUBOS
 ⊞ I.712 ABRAZADERA

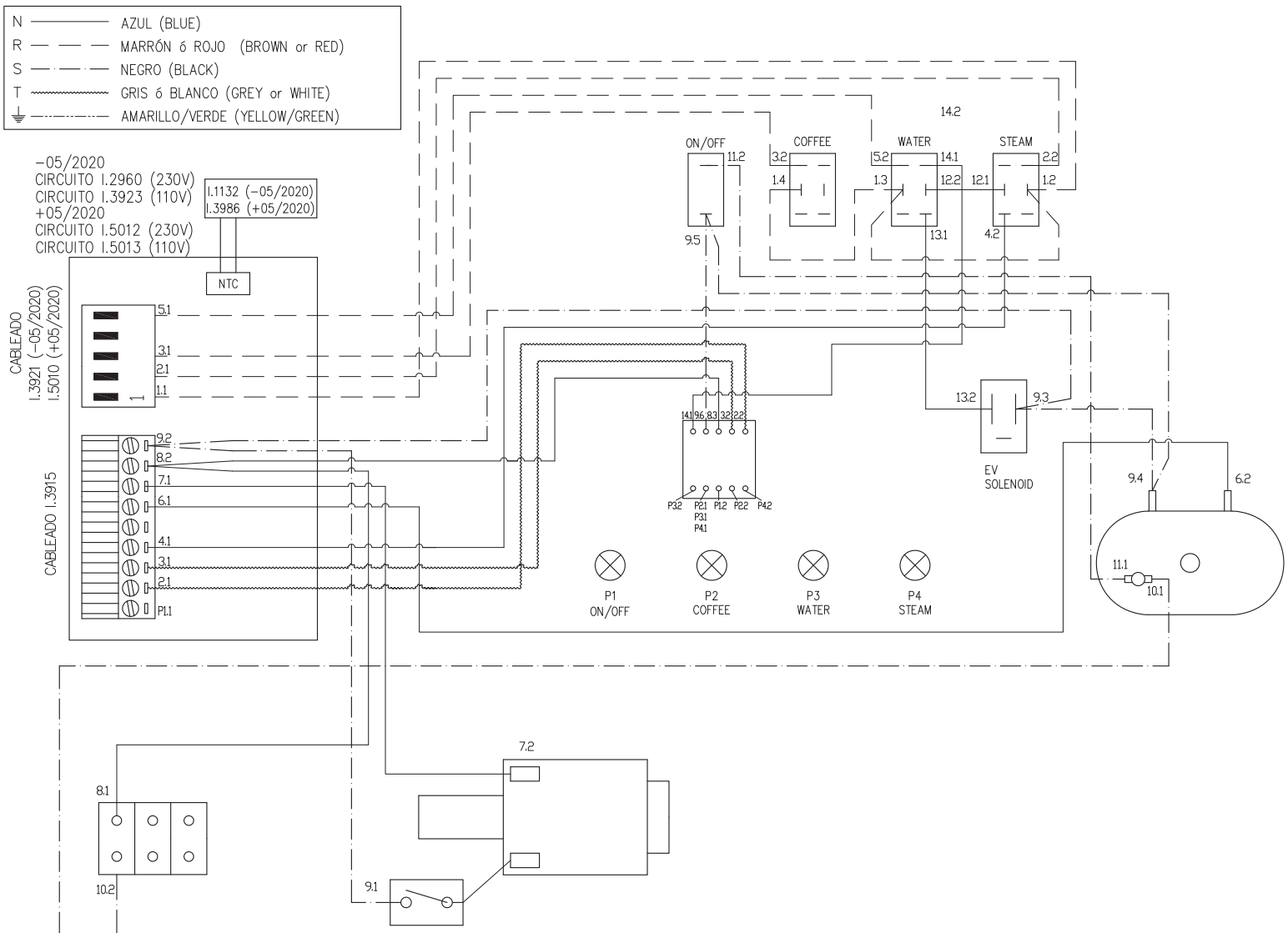
REF.	DESCRIPCIÓN
I...71	PIPETA ASPIRACION
I.712	ABRAZADERA PARA LATIGUILLOS 8-9.2
I.739	TUBO SILICONA 5x8 (600mm)
I.952	TUBO TEFLON 2X4 (140mm)
I.1080	TUBO SILICONA 5X8 (500mm)
I.1652	TUBO TEFLON 4X6 (195mm)
I.2114	TUBO SILICONA 4X7 (320mm)
I.2118	TUBO SILICONA 5X8 (160mm)
I.2129	TUBO TEFLON 2x4 (190mm)
I.2135	TUBO TEFLON 4x6x350
I.2263	TUBO FLEXIBLE ENTRADA AGUA TRIO L=120mm

DESCRIPTION
90° FITTING
CLAMP
5x8 (600mm) SILICONE PIPE
2x4 (140mm) TEFLON PIPE
SILICONE PIPE 5X8 (500mm)
WATER INLET PTFE PIPE
SILICONE PIPE 4X7 (320mm)
SILICONE PIPE 5X8 (160mm)
PIPE TEFLON 2x4 (190mm)
TEFLON PIPE 4x6x350
TRIO FLEXO PIPE

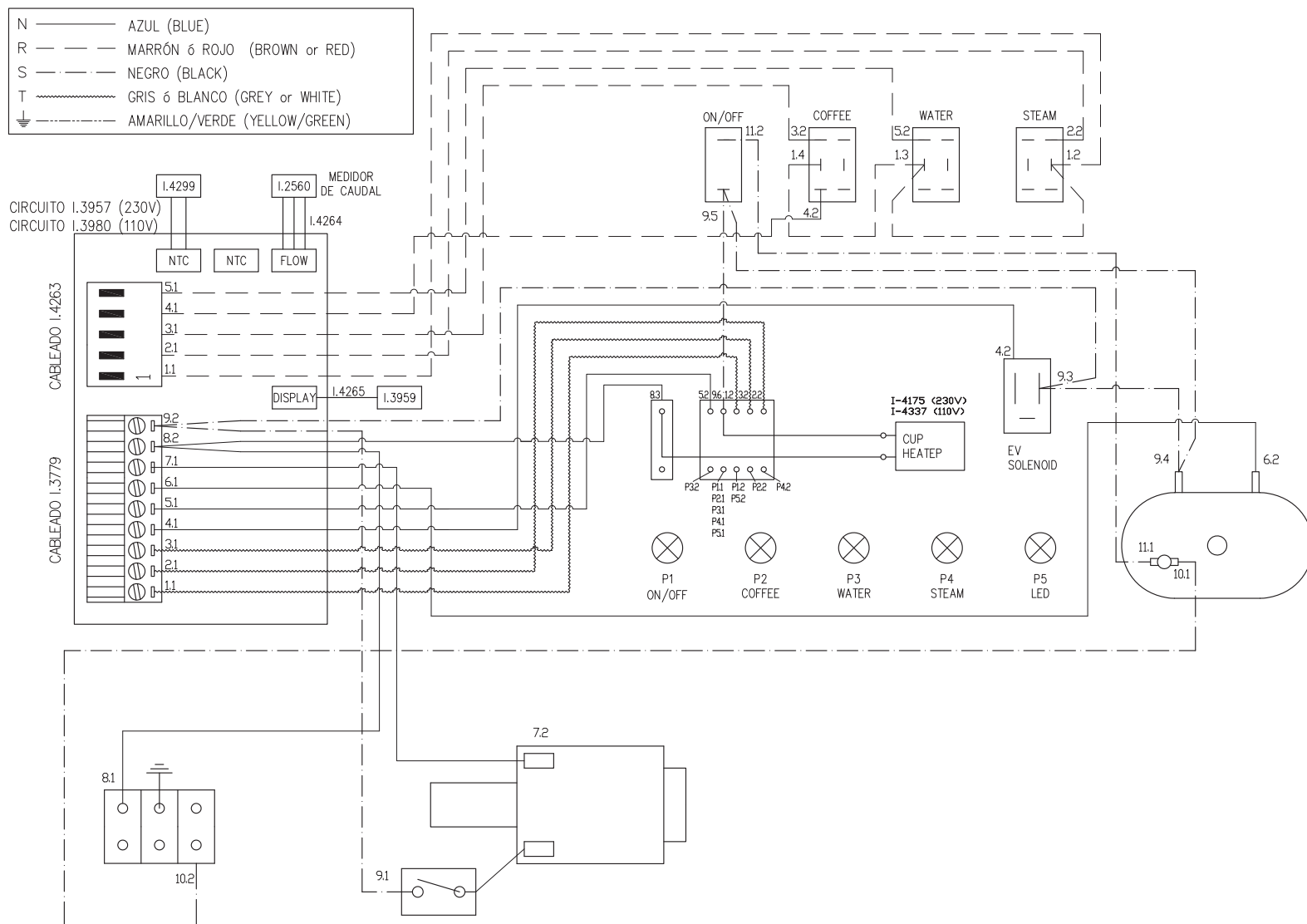


REF.	DESCRIPCIÓN
I...71	PIPETA ASPIRACION
I..712	ABRAZADERA PARA LATIGUILLOS 8-9.2
I..732	TUBO TEFLON 4x6 (130 mm)
I..740	TUBO TEFLON 4x6 (80mm)
I..805	RACOR T TUBOS
I..952	TUBO TEFLON 2X4 (140mm)
I.1080	TUBO SILICONA 5X8 (500mm)
I.1086	TUBO SILICONA 5X8 (150mm)
I.1652	TUBO TEFLON 4X6 (195mm)
I.2105	TUBO SILICONA 4X7 (140mm)
I.2107	TUBO SILICONA 5X8 (400mm)
I.2114	TUBO SILICONA 4X7 (320mm)
I.2118	TUBO SILICONA 5X8 (160mm)
I.2263	TUBO FLEXIBLE ENTRADA AGUA TRIO L=120mm

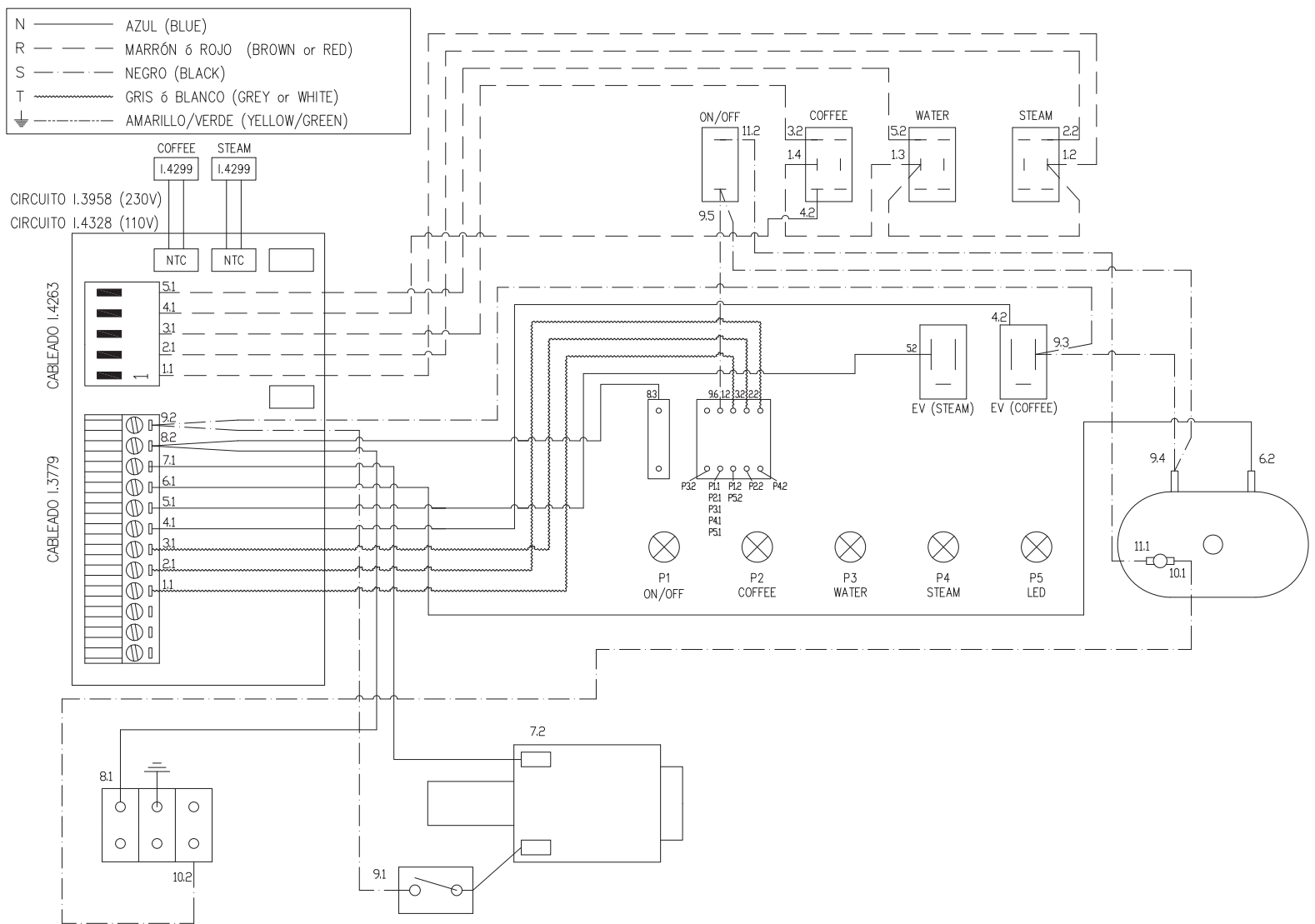
DESCRIPTION
90° FITTING
CLAMP
4x6 (130 mm) TEFLON PIPE
4x6 (80mm) TEFLON PIPE
FITTING T
2x4 (140mm) TEFLON PIPE
SILICONE PIPE 5X8 (500mm)
SILICONE PIPE 5X8 (150mm)
WATER INLET PTFE PIPE
SILICONE PIPE 4X7 (140mm)
SILICONE PIPE 5X8 (400mm)
SILICONE PIPE 4X7 (320mm)
SILICONE PIPE 5X8 (160mm)
TRIO FLEXP PIPE



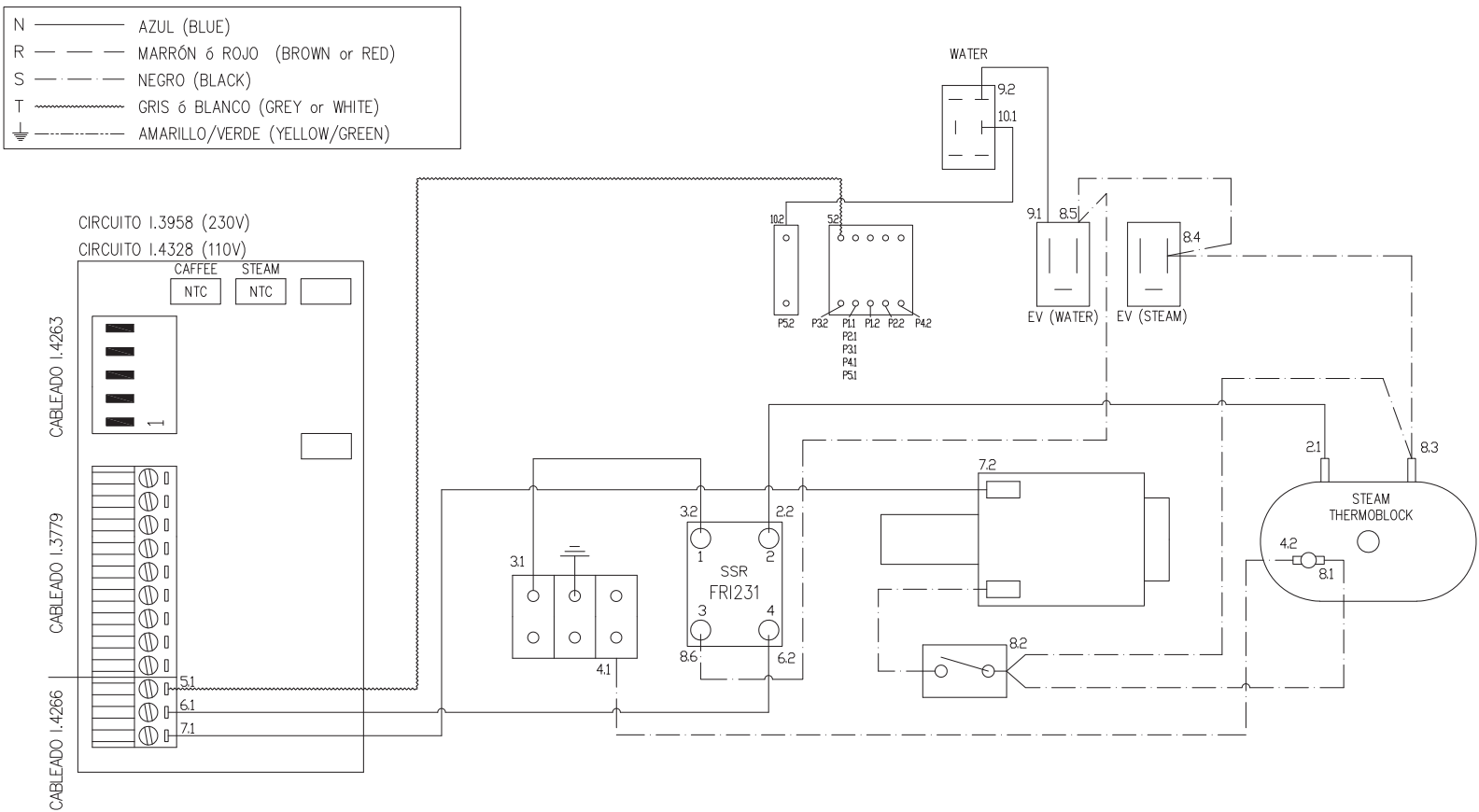
REF.	DESCRIPCIÓN	DESCRIPTION
I.1132	SONDA TEMPERATURA NTC MF58	NTC TEMPERATURE PROBE MF58
I.2960	CIRCUITO MULTIFUNCION	MULTIFUNCTION CIRCUIT
I.3915	CABLEADO GRUPO UNO PROF 2016 CONTROL ELECTRONICO	GROUP WIRING UNO PROF 2016 ELECTRONIC CONTROL
I.3921	CABLEADO BOTONERA UNO PROF 2016 CNTRL ELECTRONICO	BUTTON PANNEL WIRING UNO PROF 2016 ELECTRIC CNTRL
I.3923	CIRCUITO MULTIFUNCION 110V	MULTIFUNCTION CIRCUIT 110V
I.3986	SONDA TEMPERATURA NTC MF58 2017	NTC TEMPERATURE PROBE MF58 2017
I.5010	CABLEADO BOTONERA UNO PROF 2020	BUTTON PANNEL WIRING UNO PROF 2020
I.5012	CIRCUITO MULTIFUNCION 230V. 2020	MULTIFUNCTION CIRCUIT 230V. 2020
I.5013	CIRCUITO MULTIFUNCION 110V. 2020	MULTIFUNCTION CIRCUIT 110V. 2020



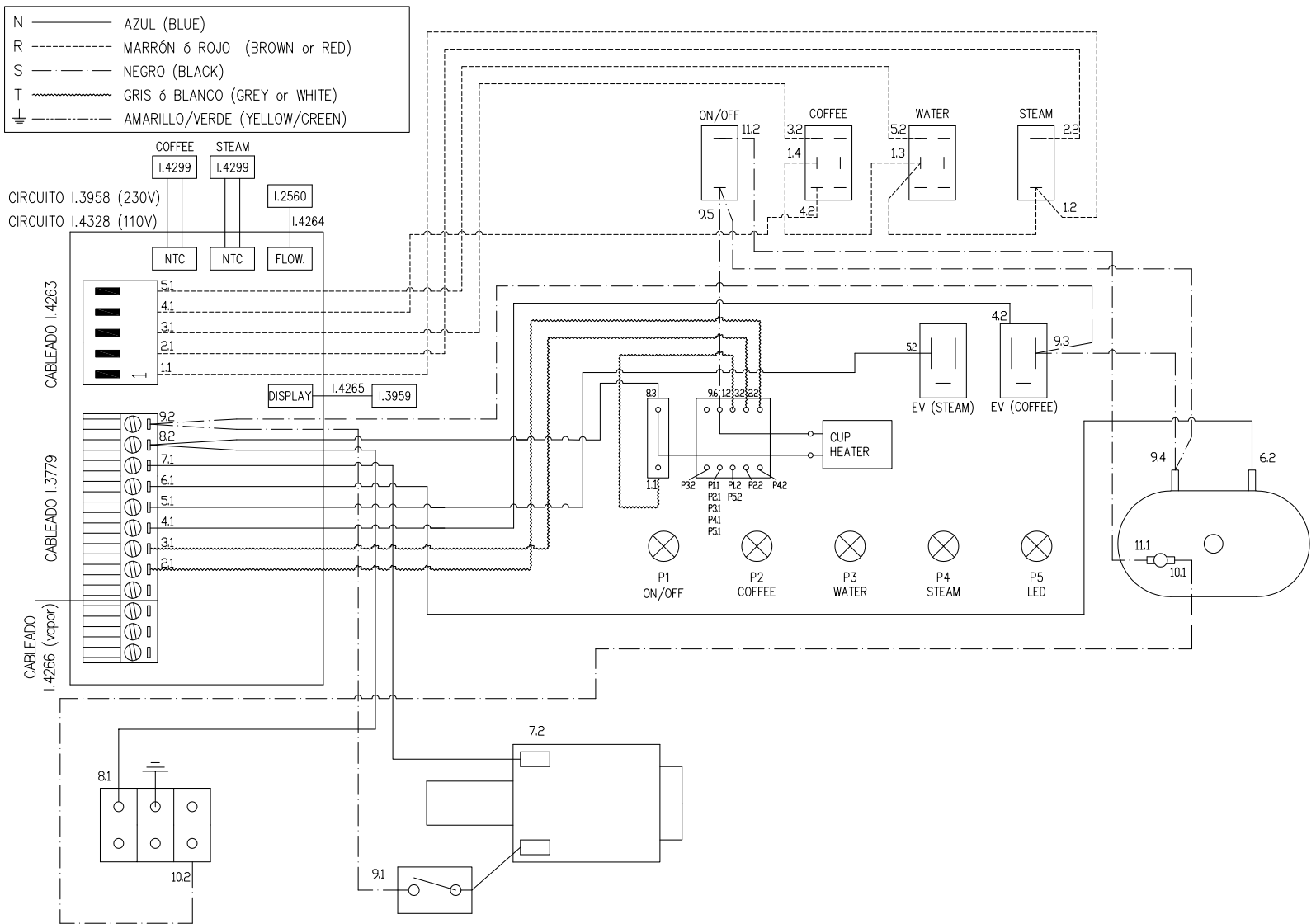
REF.	DESCRIPCIÓN	DESCRIPTION
I.2560	CONTADOR VOLUMETRICO FHKSC	DIGMESA FLOWMETER
I.3779	CABLEADO GRUPO UNO PROF PID 2017	WIRING GROUP UNO PROF PID 2017
I.3957	CIRCUITO MULTIFUNCION+DISPLAY 230V	MULTIFUNCTION+DISPLAY PCB
I.3959	DISPLAY DREAM/STEEL PID	DREAM DISPLAY MULTIFUNCTION CIRCUIT
I.3980	CIRCUITO MULTIFUNCION+DISPLAY 110V	STEEL DISPLAY MULTIFUNCTION CIRCUIT
I.4175	CALIENTA TAZAS DREAM / STEEL PID 230V 10W	CUPWARMER DREAM / STEEL PID 230V 10W
I.4263	CABLE BOTONERA STEEL PID	BUTTON PANEL WIRE DREAM / STEEL PID
I.4265	CABLE DISPLAY STEEL PID	WIRING DISPLAY DREAM / STEEL PID
I.4299	SONDA TEMPERATURA INOX PID (M4) 2017	INOX PID TEMPERATURE PROBE (M4) 2017
I.4337	CALIENTA TAZAS DREAM / STEEL PID 110V 10W	CUPWARMER DREAM / STEEL PID 110V



REF.	DESCRIPCIÓN	DESCRIPTION
I.3779	CABLEADO GRUPO UNO PROF PID 2017	WIRING GROUP UNO PROF PID 2017
I.3958	CIRCUITO MULTIFUNCION DUO+DISPLAY 230V	STEEL DUO MULTIFUNCTION + DISPLAY PCB 230V
I.4263	CABLE BOTONERA STEEL PID	BUTTON PANEL WIRE DREAM / STEEL PID
I.4299	SONDA TEMPERATURA INOX PID (M4) 2017	INOX PID TEMPERATURE PROBE (M4) 2017
I.4328	CIRCUITO MULTIFUNCION DUO+DISPLAY 110V	STEEL DUO MULTIFUNCTION + DISPLAY PCB 110V



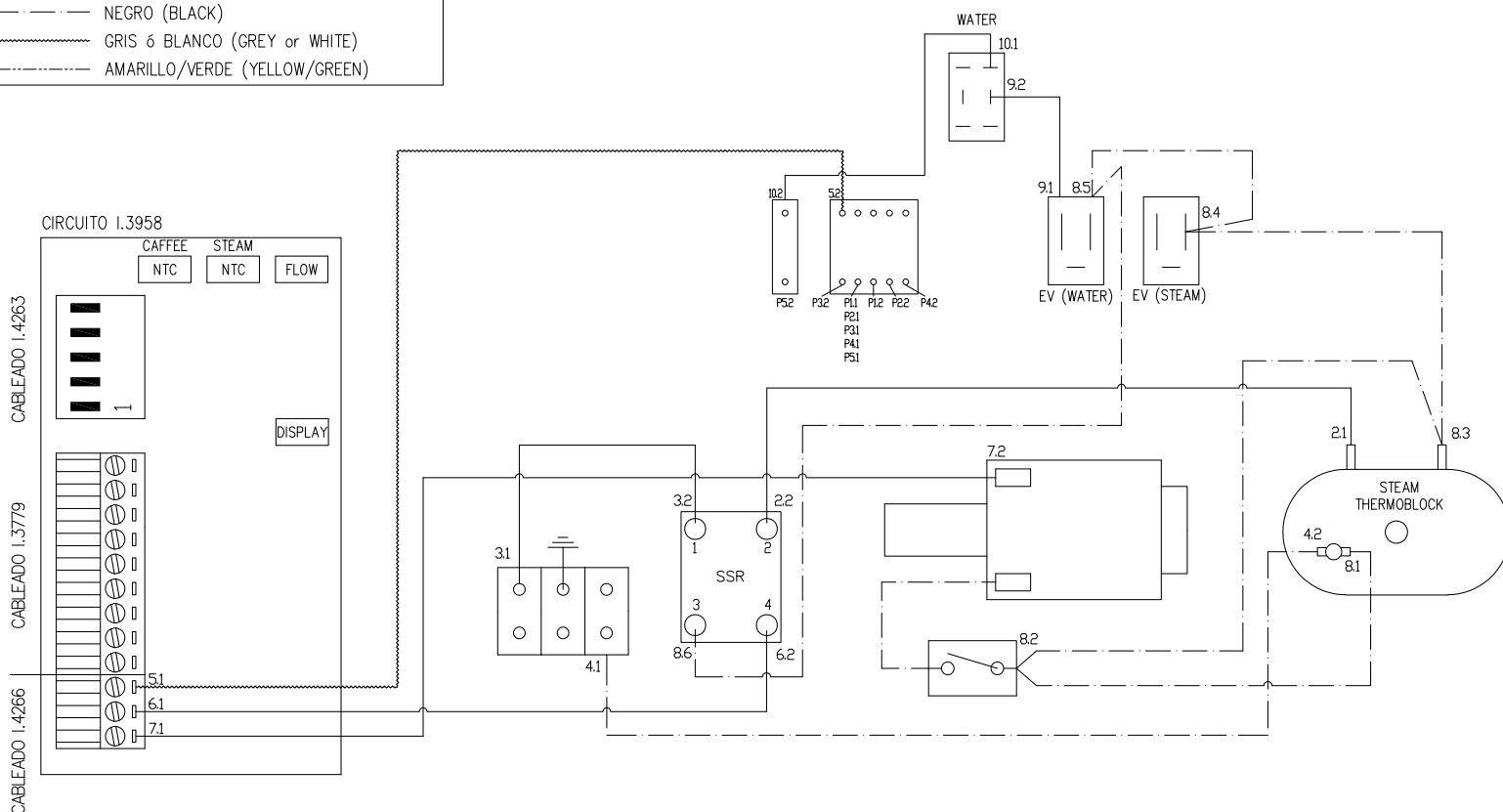
REF.	DESCRIPCIÓN	DESCRIPTION
FRI231	RELE ESTATICO	RELAY
I.3779	CABLEADO GRUPO UNO PROF PID 2017	WIRING GROUP UNO PROF PID 2017
I.3958	CIRCUITO MULTIFUNCION DUO+DISPLAY 230V	STEEL DUO MULTIFUNCTION + DISPLAY PCB 230V
I.4263	CABLE BOTONERA STEEL PID	BUTTON PANEL WIRE DREAM / STEEL PID
I.4266	CABLEADO DUO PID	DUO PID WIRE
I.4328	CIRCUITO MULTIFUNCION DUO+DISPLAY 110V	STEEL DUO MULTIFUNCTION + DISPLAY PCB 110V



REF.	DESCRIPCIÓN
I.2560	CONTADOR VOLUMETRICO FHKSC
I.3779	CABLEADO GRUPO UNO PROF PID 2017
I.3958	CIRCUITO MULTIFUNCION DUO+DISPLAY 230V
I.3959	DISPLAY DREAM/STEEL PID
I.4263	CABLE BOTONERA STEEL PID
I.4264	CABLE VOLUMETRICO DREAM / STEEL PID
I.4265	CABLE DISPLAY STEEL PID
I.4266	CABLEADO DUO PID
I.4299	SONDA TEMPERATURA INOX PID (M4) 2017
I.4328	CIRCUITO MULTIFUNCION DUO+DISPLAY 110V

DESCRIPTION
DIGMESA FLOWMETER
WIRING GROUP UNO PROF PID 2017
STEEL DUO MULTIFUNCTION + DISPLAY PCB 230V
DREAM DISPLAY MULTIFUNCTION CIRCUIT
BUTTON PANEL WIRE DREAM / STEEL PID
FLOWMETER WIRE DREAM / STEEL PID
WIRING DISPLAY DREAM / STEEL PID
DUO PID WIRE
INOX PID TEMPERATURE PROBE (M4) 2017
STEEL DUO MULTIFUNCTION + DISPLAY PCB 110V

N	—	AZUL (BLUE)
R	- - - - -	MARRÓN ó ROJO (BROWN or RED)
S	— · — · — ·	NEGRO (BLACK)
T	· - · - · - · - · -	GRIS ó BLANCO (GREY or WHITE)
⏚	- - - - -	AMARILLO/VERDE (YELLOW/GREEN)



REF.	DESCRIPCIÓN
1.3779	CABLEADO GRUPO UNO PROF PID 2017
1.3958	CIRCUITO MULTIFUNCIÓN DUO+DISPLAY 230V
1.4263	CABLE BOTONERA STEEL PID
1.4266	CABLEADO DUO PID

DESCRIPTION
WIRING GROUP UNO PROF PID 2017
STEEL DUO MULTIFUNCTION + DISPLAY PCB 230V
BUTTON PANEL WIRE DREAM / STEEL PID
DUO PID WIRE