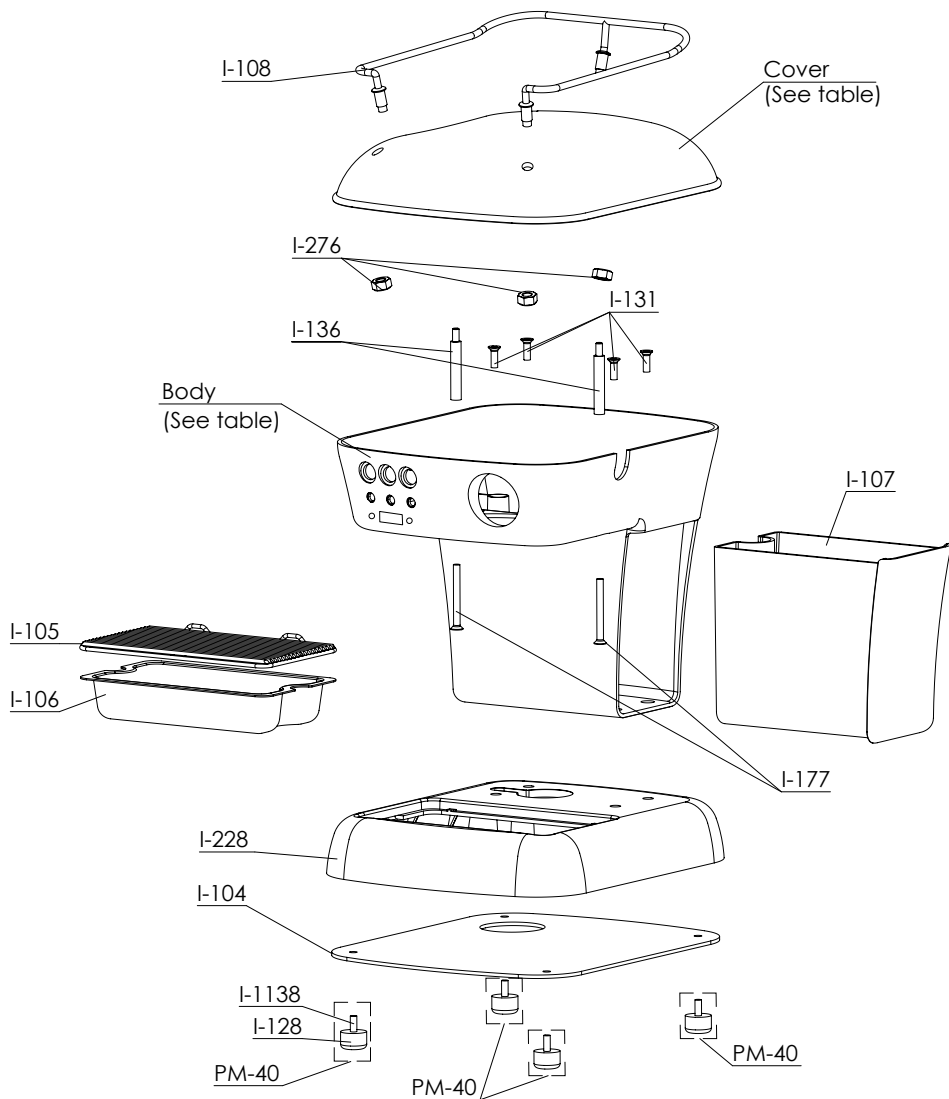




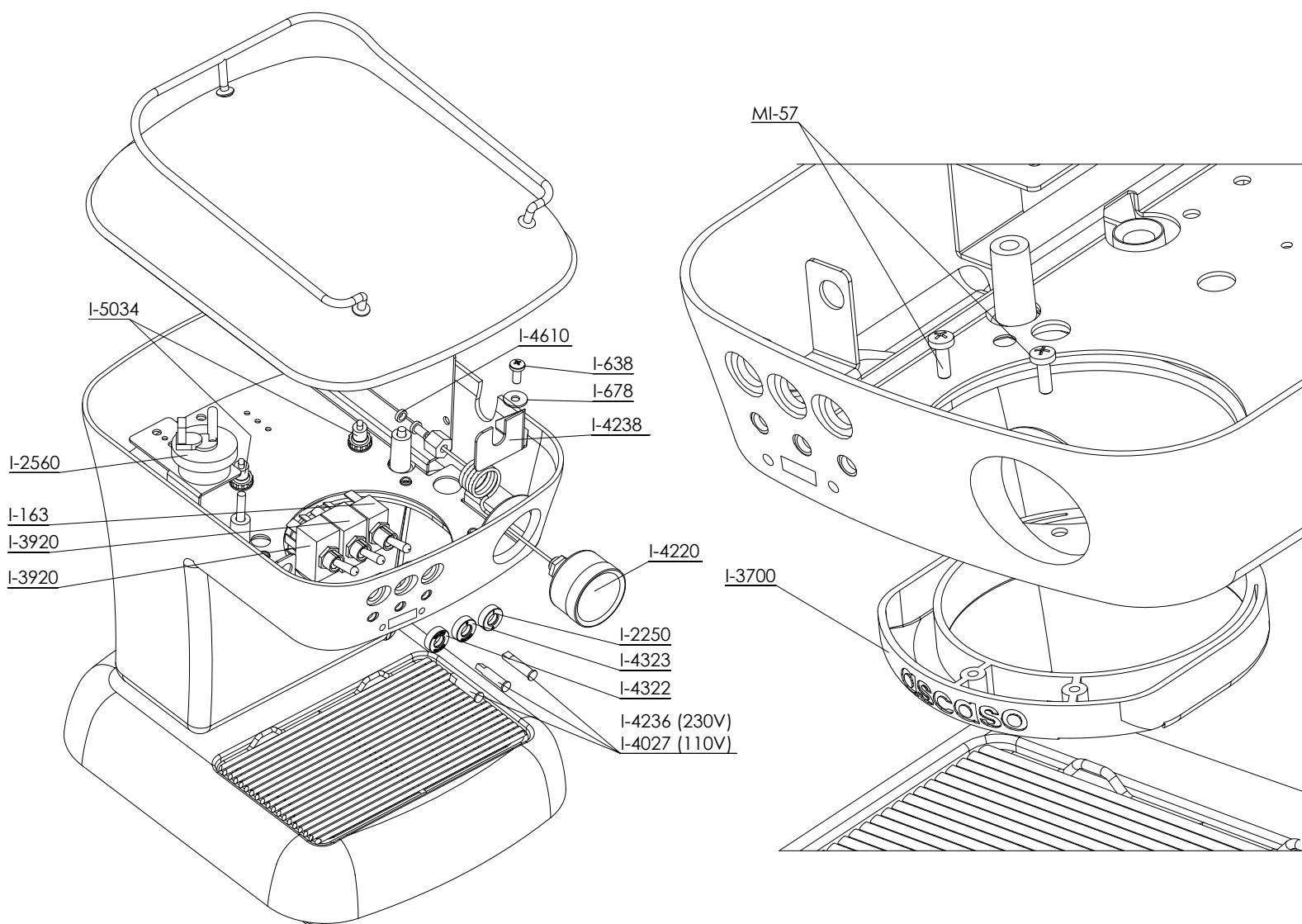
# Dream PID

## 2022



Colour	Cover	Body
Matt yellow	I-202	I-4314
Anthracite	I-205	I-4271
Matt light blue	I-4498	I-4496
Matt white	I-370	I-4270
Textured cream	I-2957	I-4310
Matt black	I-207	I-4269
Matt pistachio	I-4499	I-4497
Polished	I-208	I-4272
Matt red	I-4338	I-4340

REF.	DESCRIPCIÓN	DESCRIPTION
I..104	BASE FONDO DREAM	BASE
I..105	REJILLA DREAM	DREAM GRID
I..106	BANDEJA DREAM INOX	INOX DREAM TRAY
I..107	DEPOSITO DREAM	DREAM WATER TANK
I..108	BARANDILLA DREAM	DREAM BANISTER
I..128	PATA GOMA	FOOT
I..131	DIN 965 M5x14 A4	SCREW
I..136	UNION TAPA DREAM	LID UNION
I..177	TORNILLO TAPA DREAM INOX	NUT
I..202	TAPA DREAM AMARILLA MATE	YELLOW MATT DREAM LID
I..205	TAPA DREAM ANTRACITA	ANTHRACITE DREAM LID
I..207	TAPA DREAM NEGRA MATE	MATT BLACK DREAM LID
I..208	TAPA DREAM PULIDA SERIGRAFIADA	PRINTED POLISH DREAM LID
I..228	BASE DREAM PULIDA	POLISH BASE
I..276	TUERCA M8 INOX	NUT
I..370	TAPA DREAM BLANCA TEXTURADA	WHITE LID DREAM
I.1138	TORNILLO DIN 7985 M5x15 INOX	SCREW DIN 7985 M5X15 INOX
I.2957	TAPA DREAM CREMA TEXTURADA	LID DREAM TEXTURED CREAM
I.4269	CUERPO DREAM PID NEGRA MATE	DREAM BODY PID MATT BLACK
I.4270	CUERPO DREAM PID BLANCO MATE	DREAM BODY PID MATT WHITE
I.4271	CUERPO DREAM PID ANTRACITA	DREAM BODY PID ANTHRACITE
I.4272	CUERPO DREAM PID PULIDO	DREAM BOSOY PID POLISHED
I.4310	CUERPO DREAM PID CREMA TEXTURADA	TEXTURED CREAM DREAM PID BODY
I.4314	CUERPO DREAM PID AMARILLO MATE	DREAM BODY PID YELLOW MATT
I.4338	TAPA DREAM ROJO MATE	MATT RED DREAM LID
I.4340	CUERPO DREAM PID ROJO MATE	DREAM PID BODY RED MATT
I.4496	CUERPO DREAM PID CELESTE MATE	DREAM PID BODY SKY BLUE MATT
I.4497	CUERPO DREAM PID PISTACHO MATE	DREAM PID BODY PISTACHIO MATT
I.4498	TAPA DREAM CELESTE MATE	LID DREAM SKY BLUE MATT
I.4499	TAPA DREAM PISTACHO MATE	LIP DREAM PISTACHIO MATTE
PM..40	PATA DREAM	DREAM FOOT WHOLE



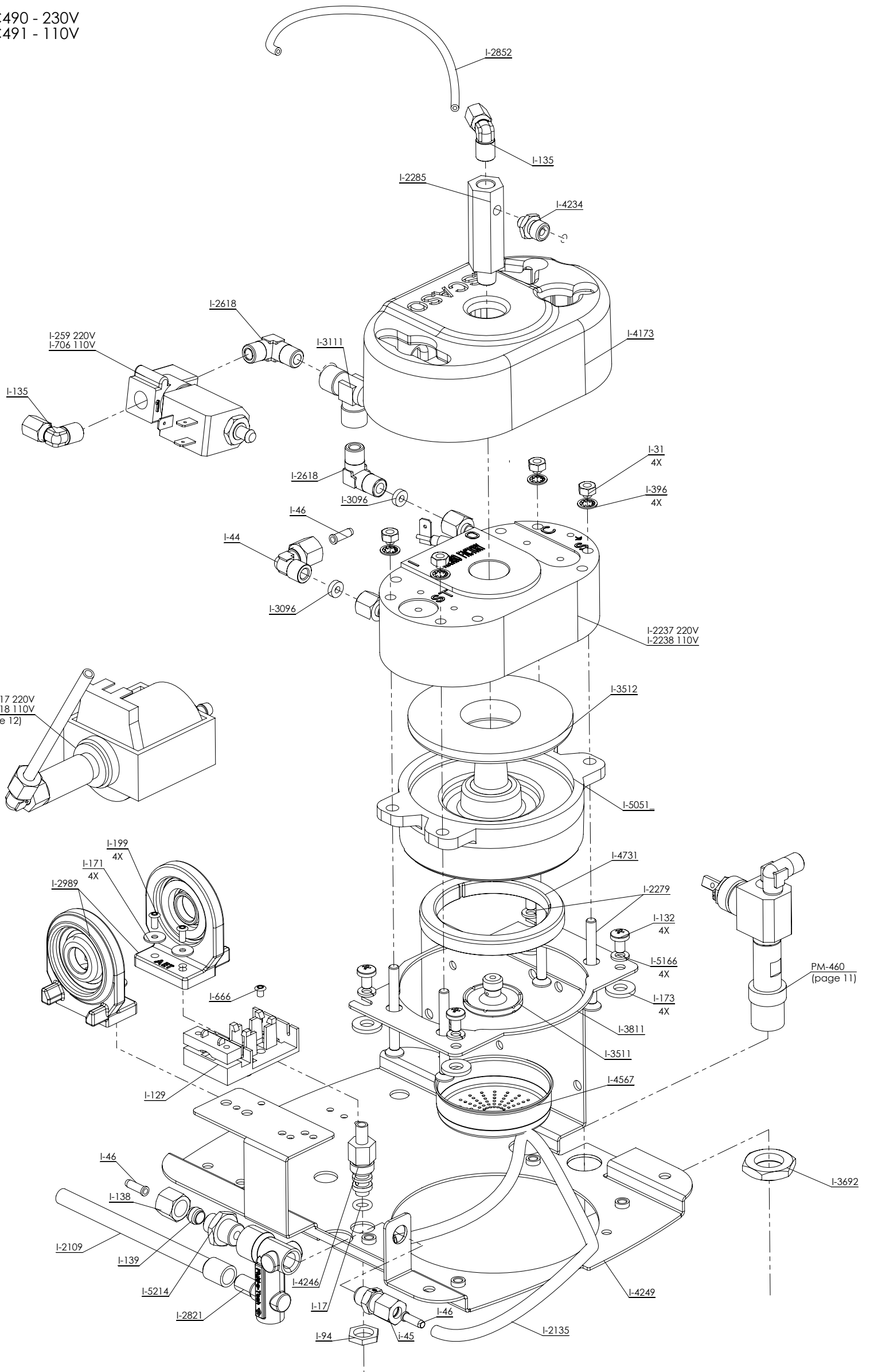
REF.	DESCRIPCIÓN	DESCRIPTION
I..163	INTERRUPTOR DREAM ON-ON	DREAM ON-ON SWITCH
I..638	TORNILLO SUJECION TERMOMETRO INOX	THERMOMETER SCREW
I..678	ARANDELA DIN9021 M5 INOX	WASHER
I.2250	TUERCA INTERRUPTOR DREAM ON/OFF	SWITCH DREAM NUT ON/OFF
I.2560	CONTADOR VOLUMETRICO FHKSC	FLOWMETER
I.3700	CUBREGRUPOS DREAM PID/ONE	DREAM PID/ONE GROUP COVER
I.3920	INTERRUPTOR 3 POSICIONES DREAM/STEEL PID	COFFEE SWITCH STEEL TRONIC 2016
I.4027	PILOTO BLANCO STEEL 125V UL	WHITE PILOT LIGHT STEEL 110V UL
I.4220	MANOMETRO DREAM/STEEL	MANOMETER DREAM/STEEL
I.4236	PILOTO BLANCO PID 250V	PILOT WHITE STEEL 250V
I.4238	SOPORTE MANOMETRO DREAM PID	MANOMETER BRACKET DREAM PID
I.4322	TUERCA INTERRUPTOR DREAM PID WATER-STEAM	SWITCH DREAM PID NUT WATER-STEAM
I.4323	TUERCA INTERRUPTOR DREAM/STEEL PID COFFEE	SWITCH DREAM PID NUT 1COFFEE-2COFFEE
I.4610	JUNTA 8,5x4,4x2 PTFE	GASKET 8,5x4,4x2 PTFE
I.5034	LED LUZ BLANCA 230V + TUERCA+TORICA	LED 230V.
MI..57	TORNILLO DIN 7985 INOX A4 M 4x12	SCREW DIN 7985 INOX A4 M 4x12



REF.	DESCRIPCIÓN	DESCRIPTION
ESC567	GRUPO INTERCAMBIADOR DREAM PID VERSATIL 230V 2022	VERSATILE DREAM PID THERM. GROUP 230V 2022
ESC568	GRUPO INTERCAMBIADOR DREAM PID VERSATIL 110V 2022	VERSATILE DREAM PID THERM. GROUP 110V 2022
I...17	JUNTA TORICA	SILICONE RING
I...31	TUERCA M5 INOX	NUT M5 STAINLESS STEEL
I...46	REFUERZO TUBO	PIPE REINFORCEMENT
I...94	TUERCA APRIETE GRIFO	TAP NUT
I..129	RETENEDOR CABLE	TERMINAL WIRING
I..132	TORNILLO M5X8 INOX	SCREW M5X8 INOX
I..138	TUERCA BICONO 6 mm	NUT
I..139	BICONO DIAM, 6mm	BICONE
I..171	ARANDELA FIJ.SOPBOMBA	WASHER
I..173	JUNTA GRUPO	TEFLON GASKET
I..199	REMACHE TB A2/A2 DIN 7337 D 3.2X12	LONG RIVET
I..396	ARANDELA DENTADA M5 INOX	M5 WASHER
I..666	REMACHE MEDIANO (3.2X8)	RIVET (3.2X8)
I.2109	TUBO SILICONA 5X8 (120mm)	SILICONE PIPE 5X8 (120mm)
I.2237	INTERCAMBIADOR INOX. 230V	THERMOBLOCK INOX. 230V (INCLUDE 2xl.3096)
I.2238	CJTO. INTERCAMBIADOR INOX. 110V	THERMOBLOCK INOX 110V
I.2279	TORNILLO M5X50 DIN7991 A-4 80 INOX	SCREW M5X50 DIN7991 A-2
I.2285	RACOR CONEXION GRIFO	FITTING
I.2364	RACOR CONTADOR VOLUMETRICO 1/8"-1/8" INOX	FITTING VOLUMETRIC CONTROL 1/8"-1/8"
I.2618	RACOR CODO 1/8 M-M INOX	ELBOW FITTING 1/8M-M NOX
I.2821	BYPASS	BYPASS
I.2989	SILENT BLOCK BOMBA	PUMP SILENT BLOCK
I.3096	JUNTA INTERCAMBIADOR	HEAT EXCHANGER GASKET
I.3511	ROCIADOR GRUPO PROF. 2016	SPRAY GROUP PROF. 2016
I.3512	POSTIZO CAMPANA PROF. 2016	BELL PROF 2016 SUPPLEMENT
I.3692	TUERCA RACOR EV- SALIDA AGUA	RACOR NUT SOLENOID - WATER EXIT
I.3811	CHAPA SOPORTE GRUPO PROF 2016	GROUP PROF 2016 SUPPORT SHEET
I.4173	FUNDA TERMICA INTECAMBIADOR INOX.	THERMOBLOCK THERMAL CASE
I.4234	RACOR CONEXION INTERCAMBIADOR-MANOMETRO M6 1/8	RACOR CONNECTION THERMOBLOCK-MANOMETER M6-1/8
I.4246	RACOR CONEXIÓN DESCARGA DREAM PID	WATER EXIT EXTENSION DREAM PID
I.4249	CHAPA GRUPO DREAM PID	GROUP PLATE DREAM PID
I.4567	DUCHA SIMPLE 60mm	SIMPLE SHOWER 60mm
I.4731	JUNTA PORTAFILTROS 7.8mm	FILTERHOLDER GASKET 7.8mm
I.5051	CAMPANA PROF INOX 2016	BELL PROF. 2016
I.5166	ARANDELA GROWER DIN127 M5	WASHER GROWER DIN127 M5
I.5214	RACOR OPV M12X1 M10 - TUBO TEFLÓN	OPV FITTING M12X1- M10X1 - PTFE PIPE
I.5258	TUBO COBRE OPV DREAM VERSATIL	DREAM VERSATILE OPV COPPER PIPE
I.5263	TUBO COBRE DISTRIBUIDOR DREAM PID	DREAM PID DISTRIBUTOR COPPER PIPE
I.5309	TUBO COBRE SALIDA CAFE DREAM PID	DREAM PID COFFEE OUTLET COPPER PIPE
PM.317	BOMBA DREAM PID 230V	PUMP WHOLE DREAM PID 230V
PM.318	BOMBA DREAM PID 110V	PUMP WHOLE DREAM PID 110V
PM.460	GRIFO DREAM PID 2019	TAP DREAM PID 2019
PM.598	CONJUNTO EV DREAM 230V 2022	SOLENOID DREAM 230V 2022
PM.599	CONJUNTO EV DREAM 120V 2022	SOLENIOD DREAM 120V 2022

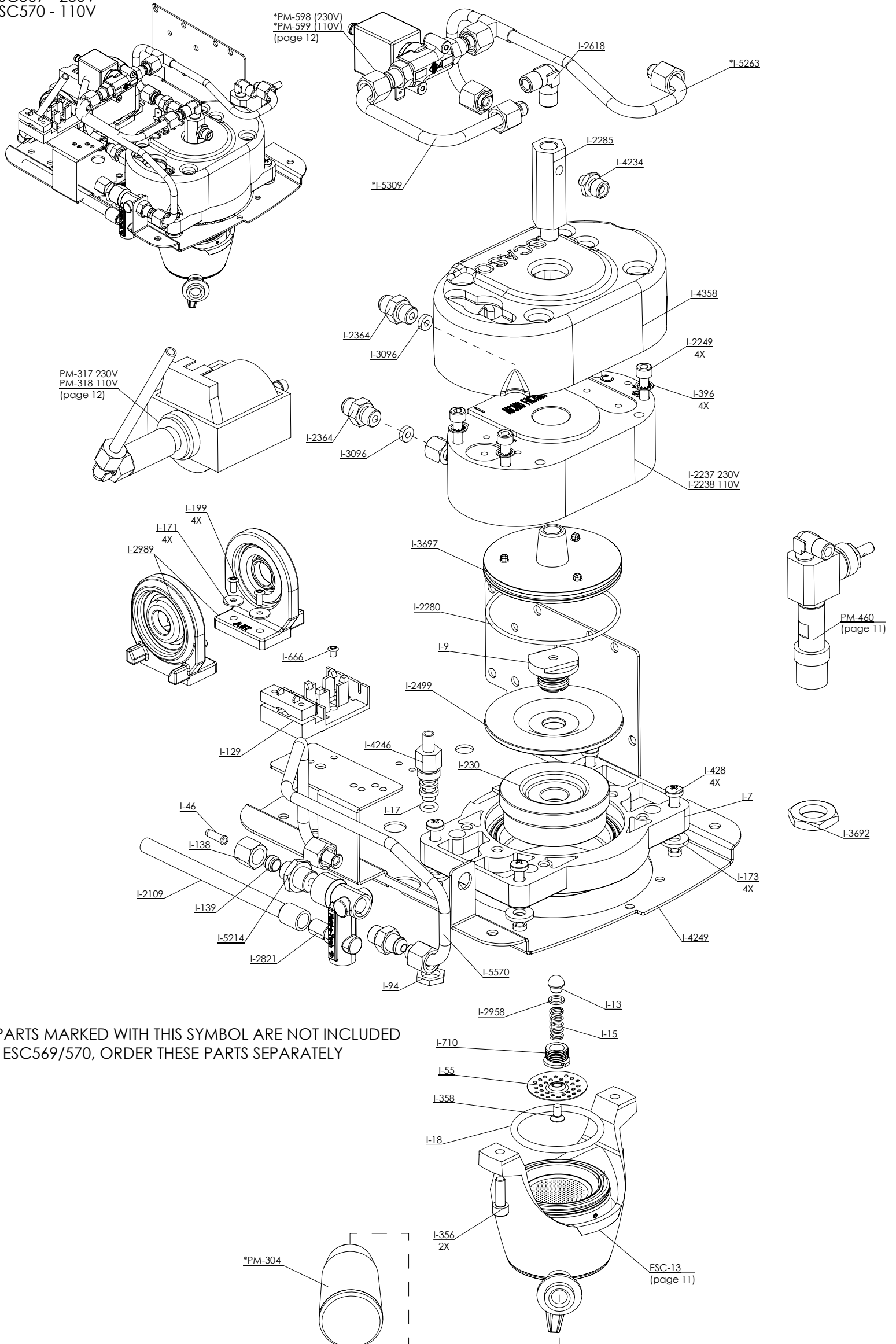


ESC490 - 230V  
ESC491 - 110V



REF.	DESCRIPCIÓN	DESCRIPTION
ESC490	GRUPO INTERCAMBIADOR INOX DREAM PID 230V	GROUP DREAM PID THERM. INOX 230V
ESC491	GRUPO INTERCAMBIADOR INOX DREAM PID 110V	GROUP DREAM PID THERM. INOX 110V
I...17	JUNTA TÓRICA	O-RING
I...31	TUERCA M5 INOX	NUT M5 STAINLESS STEEL
I...44	RACORD CODO	RL BIX FITTING
I...45	RACOR RECTO	STRAIGHT FITTING
I...46	REFUERZO TUBO	PIPE REINFORCEMENT
I...94	TUERCA APRIETE GRIFO	TAP NUT
I..129	RETENEDOR CABLE	TERMINAL WIRING
I..132	TORNILLO M5X8 INOX	SCREW M5X8 INOX
I..135	RACORD CODO 13280 4 1/8	FITTING
I..138	TUERCA BICONO 6 mm	NUT
I..139	BICONO DIAM, 6mm	BICONE
I..171	ARANDELA FIJACION SOPORTE BOMBA	WASHER
I..173	JUNTA GRUPO	TEFLON GASKET
I..199	REMACHE TB A2/A2 DIN 7337 D 3.2x12	LONG RIVET
I..259	ELECTROV. 3 VIAS PASO 1.2 230V 1/8-1/8 0-15BAR	3 WAY SOLENOID
I..396	ARANDELA DENTADA M5 INOX	WASHER
I..666	REMACHE MEDIANO (3.2X8)	RIVET (3.2X8)
I..706	ELECTROVALVULA 3 VIAS PASO 1.2 120V 1/8-1/8 0-15BAR	120V 3 WAYS SOLENOID
I..2109	TUBO SILICONA 5X8 (120mm)	SILICONE PIPE 5X8 (120mm)
I.2237	CJTO. INTERCAMBIADOR INOX. 230V	THERMOBLOCK INOX 230V
I.2238	INTERCAMBIADOR INOX. 1000W 120V (INCLUIR 2xl.3096)	THERMOBLOCK INOX. 1000W 120V (INCLUDE 2xl.3096)
I.2279	TORNILLO M5X50 DIN7991 A-4	SCREW M5X50 DIN7991 A-4
I.2285	RACOR CONEXION GRIFO	FITTING
I.2618	RACOR CODO 1/8 M-M INOX	ELBOW FITTING 1/8M-M NOX
I.2821	BYPASS	BYPASS
I.2852	TUBO TEFLON 2x4 (240mm)	TEFLON PIPE 2x4 (240mm)
I.2989	SILENT BLOCK BOMBA	PUMP SILENT BLOCK
I.3096	JUNTA INTERCAMBIADOR	HEAT EXCHANGER GASKET
I.3111	RACOR T H 1/8G" - H 1/8"G + M 1/8"R	FITTING T H 1/8G" - H 1/8"G + M 1/8"R
I.3511	ROCIADOR GRUPO PROF. 2016	SPRAY GROUP PROF. 2016
I.3512	POSTIZO CAMPANA PROF. 2016	BELL PROF 2016 SUPPLEMENT
I.3692	TUERCA RACOR EV- SALIDA AGUA	RACOR NUT SOLENOID - WATER EXIT
I.3811	CHAPA SOPORTE GRUPO PROF 2016	GROUP PROF 2016 SUPPORT SHEET
I.4173	FUNDA TÉRMICA INTERCAMBIADOR INOX.	THERMAL SHEATH STAINLESS STEEL EXCHANGET
I.4234	RACOR CONEXIÓN INTERCAMBIADOR-MANOMETRO M6 1/8	RACOR CONNECTION THERMOBLOCK-MANOMETER M6 1/8
I.4246	RACOR CONEXIÓN DESCARGA DREAM PID	WATER EXIT EXTENSION DREAM PID
I.4249	CHAPA GRUPO DREAM PID	GROUP PLATE DREAM PID
I.4567	DUCHA SIMPLE 60mm	SIMPLE SHOWER 60mm
I.4731	JUNTA PORTAFILTROS 7.8mm	FILTERHOLDER GASKET 7.8mm
I.5051	CAMPANA PROF. 2020	BELL PROF. 2020
I.5166	ARANDELA GROWER DIN127 M5	WASHER GROWER DIN127 M5
I.5214	RACOR OPV M12X1 M10 - TUBO TEFLÓN	OPV FITTING M12X1- M10X1 - PTFE PIPE
PM.317	BOMBA DREAM PID 230V	PUMP WHOLE DREAM PID 230V
PM.318	BOMBA DREAM PID 110V	PUMP WHOLE DREAM PID 110V
PM.460	GRIFO DREAM PID 2019	TAP DREAM PID 2019

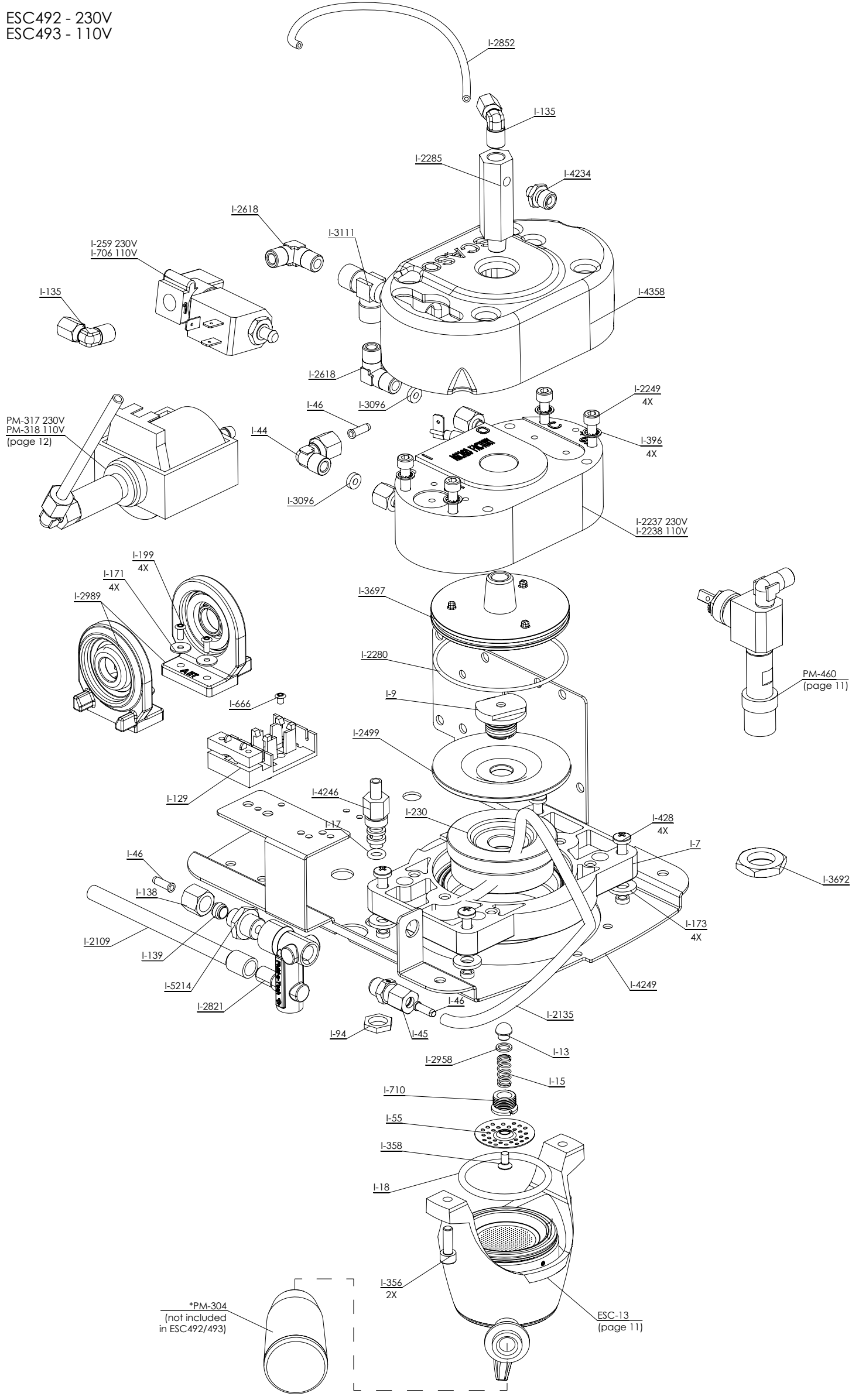
ESC569 - 230V  
ESC570 - 110V



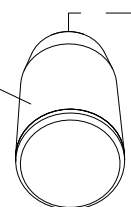


REF.	DESCRIPCIÓN	DESCRIPTION
ESC.13	CONJUNTO CALIZ COMPLETO	LIMESTONE COMPLETE SET
ESC569	GRUPO INTERCAMBIADOR DREAM PID PF 230V 2022	PF DREAM PID THERM. GROUP 230V 2022
ESC570	GRUPO INTERCAMBIADOR DREAM PID PF 110V 2022	PF DREAM PID THERM. GROUP 110V 2022
I...7	CAMARA DE COMPRESION	COMPRESSION CHAMBER
I...9	CUERPO VALVULA RETENCION	RETENTION VALVE BODY
I...13	VALVULA SILICONA	SILICONE VALVE
I...15	MUELLE VALVULA RETENCION	SPRING
I...17	JUNTA TORICA	SILICONE RING
I...18	JUNTA CIALDA GRUPO	SILICONE RING
I...46	REFUERZO TUBO	PIPE REINFORCEMENT
I...55	DUCHA	SHOWER
I...94	TUERCA APRIETE GRIFO	TAP NUT
I..129	RETENEDOR CABLE	TERMINAL WIRING
I..138	TUERCA BICONO 6 mm	NUT
I..139	BICONO DIAM, 6mm	BICONE
I..171	ARANDELA FIJ.SOPBOMBA	WASHER
I..173	JUNTA GRUPO	TEFLON GASKET
I..199	REMACHE TB A2/A2 DIN 7337 D 3.2X12	LONG RIVET
I..230	EMBOLO ALUMINIO	PISTON WITH SHOWER
I..356	TORNILLO ALLEN M5x15 INOX	ALLEN SCREW
I..358	TORNILLO PORTADUCHA M4 INOX	M4 SCREW
I..396	ARANDELA DENTADA M5 INOX	M5 WASHER
I..428	TORNILLO M5x20 ZINCADO	M5x20 SCREW
I..666	REMACHE MEDIANO (3.2X8)	RIVET (3.2X8)
I..710	TUERCA VALVULA RETENCION CON DUCHA	NUT
I.2109	TUBO SILICONA 5X8 (120mm)	SILICONE PIPE 5X8 (120mm)
I.2237	INTERCAMBIADOR INOX. 230V	THERMOBLOCK INOX. 230V (INCLUDE 2xl.3096)
I.2238	CJTO. INTERCAMBIADOR INOX. 110V	THERMOBLOCK INOX 110V
I.2249	TORNILLO DIN 912 M5X50 A4	DIN 912 M5X50 SCREW
I.2280	JUNTA TORICA 68x2 SILICONA	O-RING 68x2 SILICONA
I.2285	RACOR CONEXION GRIFO	FITTING
I.2364	RACOR CONTADOR VOLUMETRICO 1/8"-1/8" INOX	FITTING VOLUMETRIC CONTROL 1/8"-1/8"
I.2499	MEMBRANA GRUPO BAR KAP/PORTA FIJO	SILICONE MEMBRANE BAR KAP/FIX FILTER H. GROUP
I.2618	RACOR CODO 1/8 M-M INOX	ELBOW FITTING 1/8M-M NOX
I.2821	BYPASS	BYPASS
I.2958	ARANDELA APOYO	WASHER
I.2989	SILENT BLOCK BOMBA	PUMP SILENT BLOCK
I.3096	JUNTA INTERCAMBIADOR	HEAT EXCHANGER GASKET
I.3692	TUERCA RACOR EV- SALIDA AGUA	RACOR NUT SOLENOID - WATER EXIT
I.3697	TAPA NUEVO INTERCAMBIADOR LATON	LID
I.4234	RACOR CONEXION INTERCAMBIADOR-MANOMETRO M6 1/8	RACOR CONNECTION THERMOBLOCK-MANOMETER M6-1/8
I.4246	RACOR CONEXIÓN DESCARGA DREAM PID	WATER EXIT EXTENSION DREAM PID
I.4249	CHAPA GRUPO DREAM PID	GROUP PLATE DREAM PID
I.4358	FUNDA TERMICA INTECAMBIADOR INOX. PF	FIXED HOLDER THERMAL CASE
I.5214	RACOR OPV M12X1 M10 - TUBO TEFLÓN	OPV FITTING M12X1- M10X1 - PTFE PIPE
I.5263	TUBO COBRE DISTRIBUIDOR DREAM PID	DREAM PID DISTRIBUTOR COPPER PIPE
I.5309	TUBO COBRE SALIDA CAFE DREAM PID	DREAM PID COFFEE OUTLET COPPER PIPE
I.5570	TUBO COBRE OPV DREAM PF	DREAM PF OPV COPPER PIPE
PM.304	MANGO PORTA CORTO MADERA COMPLETO NOGAL	SMALL WALNUT WOOD HANDLE COMPLETE
PM.317	BOMBA DREAM PID 230V	PUMP WHOLE DREAM PID 230V
PM.318	BOMBA DREAM PID 110V	PUMP WHOLE DREAM PID 110V
PM.460	GRIFO DREAM PID 2019	TAP DREAM PID 2019
PM.598	CONJUNTO EV DREAM 230V 2022	SOLENOID DREAM 230V 2022
PM.599	CONJUNTO EV DREAM 120V 2022	SOLENIOD DREAM 120V 2022

ESC492 - 230V  
ESC493 - 110V

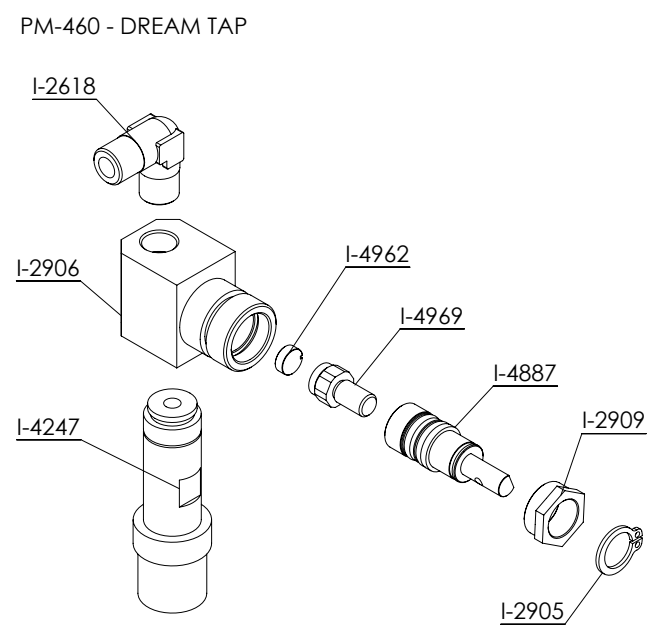
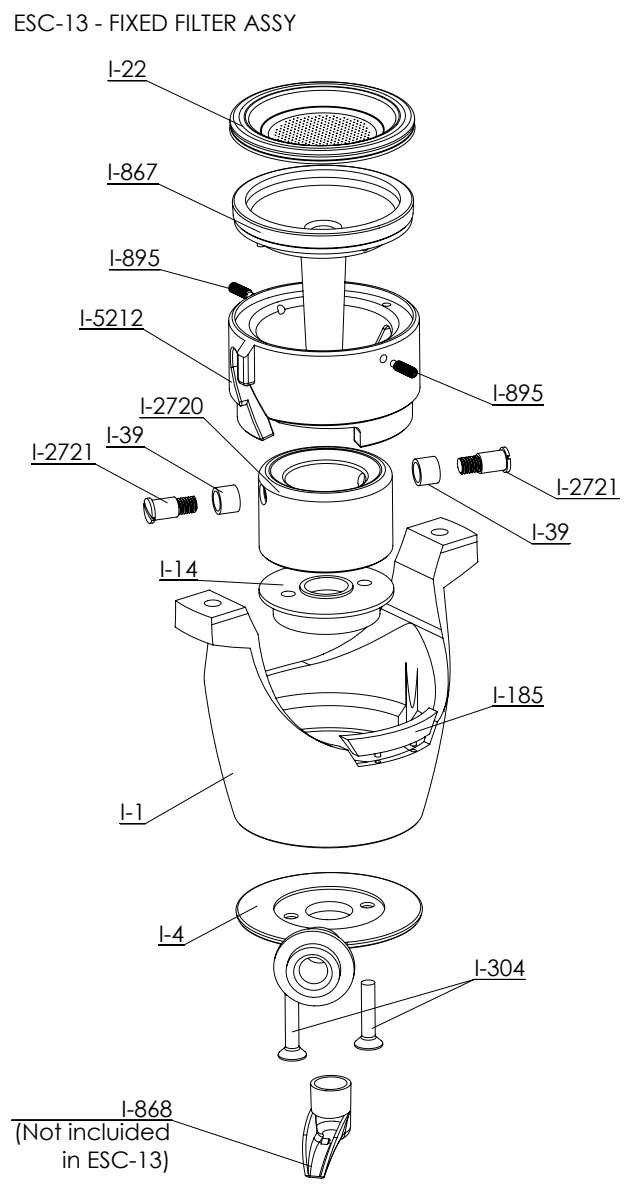


\*PM-304  
(not included  
in ESC492/493)



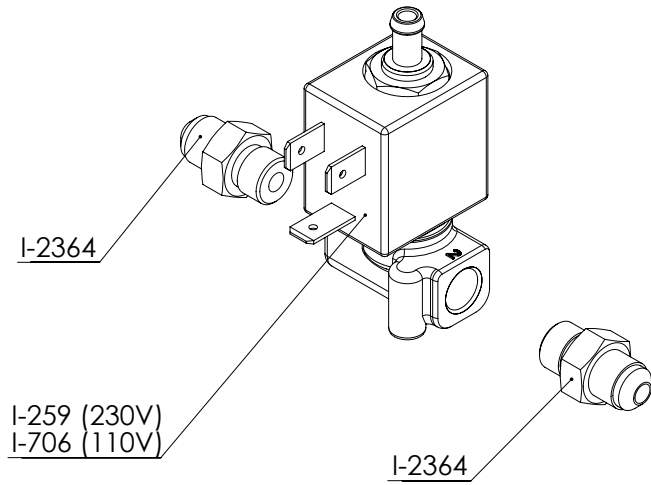
ESC-13  
(page 11)

REF.	DESCRIPCIÓN	DESCRIPTION
ESC.13	CONJUNTO CALIZ COMPLETO	LIMESTONE COMPLETE SET
ESC492	GRUPO INTERCAMBIADOR INOX DREAM PID PF 230V 2019	GROUP DREAM PID THERM. INOX F.H 230V 2019
ESC493	GRUPO INTERCAMBIADOR INOX DREAM PID PF 110V 2019	GROUP DREAM PID THERM. INOX F.H 110V 2019
I...7	CAMARA DE COMPRESION	COMPRESSION CHAMBER
I...9	CUERPO VÁLVULA RETENCIÓN	RETENTION VALE BODY
I...13	VÁLVULA SILICONA	SILICONE VALVE
I...15	MUELLE VÁLVULA RETENCIÓN	SPRING
I...17	JUNTA TÓRICA	O-RING
I...18	JUNTA CIALDA GRUPO	SILICONE RING
I...44	RACORD CODO	RL BIX FITTING
I...45	RACOR RECTO	STRAIGHT FITTING
I...46	REFUERZO TUBO	PIPE REINFORCEMENT
I...55	DUCHA	SHOWER
I...94	TUERCA APRIETE GRIFO	TAP NUT
I..129	RETENEDOR CABLE	TERMINAL WIRING
I..135	RACORD CODO 13280 4 1/8	FITTING
I..138	TUERCA BICONO 6 mm	NUT
I..139	BICONO DIAM, 6mm	BICONE
I..171	ARANDELA FIJACION SOPORTE BOMBA	WASHER
I..173	JUNTA GRUPO	TEFLON GASKET
I..199	REMACHE TB A2/A2 DIN 7337 D 3.2x12	LONG RIVET
I..230	EMBOLO ALUMINIO	PISTON WITH SHOWER
I..259	ELECTROV. 3 VIAS PASO 1.2 230V 1/8-1/8 0-15BAR	3 WAY SOLENOID
I..356	TORNILLO DIN 912 M5X16	ALLEN SCREW
I..358	TORNILLO PORTADUCHA M4 INOX	SCREW
I..396	ARANDELA DENTADA M5 INOX	WASHER
I..428	TORNILLO M5X20 ZINCADO	SCREW
I..666	REMACHE MEDIANO (3.2X8)	RIVET (3.2X8)
I..706	ELECTROVALVULA 3 VIAS PASO 1.2 120V 1/8-1/8 0-15BAR	120V 3 WAYS SOLENOID
I..710	TUERCA VÁLVULA RETENCIÓN CON DUCHA	NUT
I.2109	TUBO SILICONA 5X8 (120mm)	SILICONE PIPE 5X8 (120mm)
I.2135	TUBO TEFLON 4x6x350	TEFLON PIPE 4x6x350
I.2237	CJTO. INTERCAMBIADOR INOX. 230V	THERMOBLOCK INOX 230V
I.2238	INTERCAMBIADOR INOX. 1000W 120V (INCLUIR 2x1.3096)	THERMOBLOCK INOX. 1000W 120V (INCLUDE 2x1.3096)
I.2249	TORNILLO DIN 912 M5X50	SCREW
I.2280	JUNTA TÓRICA 68X2 SILICONA	O-RING 68X2 SILICONA
I.2285	RACOR CONEXION GRIFO	FITTING
I.2499	MEMBRANA KAP	SILICONE WASHER KAP
I.2618	RACOR CODO 1/8 M-M INOX	ELBOW FITTING 1/8M-M NOX
I.2821	BYPASS	BYPASS
I.2852	TUBO TEFLON 2x4 (240mm)	TEFLON PIPE 2x4 (240mm)
I.2958	ARANDELA APOYO	WASHER
I.2989	SILENT BLOCK BOMBA	PUMP SILENT BLOCK
I.3096	JUNTA INTERCAMBIADOR	HEAT EXCHANGER GASKET
I.3111	RACOR T H 1/8G" - H 1/8"G + M 1/8"R	FITTING T H 1/8G" - H 1/8"G + M 1/8"R
I.3692	TUERCA RACOR EV- SALIDA AGUA	RACOR NUT SOLENOID - WATER EXIT
I.3697	TAPA NUEVO INTERCAMBIADOR LATÓN	LIP
I.4234	RACOR CONEXIÓN INTERCAMBIADOR-MANOMETRO M6 1/8	RACOR CONNECTION THERMOBLOCK-MANOMETER M6 1/8
I.4246	RACOR CONEXIÓN DESCARGA DREAM PID	WATER EXIT EXTENSION DREAM PID
I.4249	CHAPA GRUPO DREAM PID	GROUP PLATE DREAM PID
I.4358	FUNDA TÉRMICA INTERCAMBIADOR INOX. PF	THERMAL SHEATH STAINLESS STEEL EXCHANGET FH
I.5214	RACOR OPV M12X1 M10 - TUBO TEFLÓN	OPV FITTING M12X1- M10X1 - PTFE PIPE
PM.304	MANGO PORTA CORTO MADERA COMPLETO NOGAL	SMALL WALNUT WOOD HANDLE COMPLETE
PM.317	BOMBA DREAM PID 230V	PUMP WHOLE DREAM PID 230V
PM.318	BOMBA DREAM PID 110V	PUMP WHOLE DREAM PID 110V
PM.460	GRIFO DREAM PID 2019	TAP DREAM PID 2019

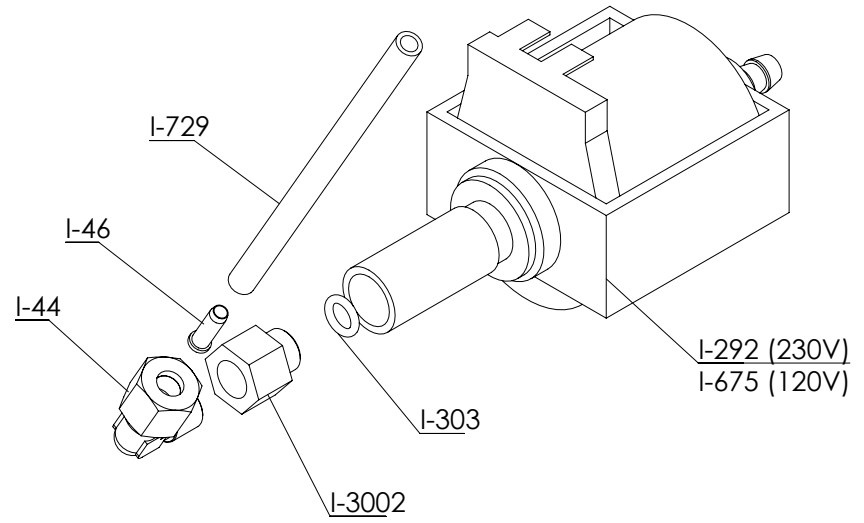


REF.	DESCRIPCIÓN	DESCRIPTION
ESC.13	CONJUNTO CALIZ COMPLETO	LIMESTONE COMPLETE SET
I...1	BASE PORTA FIJO PULIDO	FIXED FILTERHOLDER BASE
I...4	SOPORTE MANGO	HANDLE SUPPORT
I...14	CASQUILLO RODADURA	CAP
I...22	CACILLO CIALDA Nº1	Nº1 POD FILTER
I...39	RODILLO LEVA INOX	LEVER ROLLER
I..185	PROTECTOR PORTA FIJO	PROTECTOR
I..304	TORNILLO DUCHA INOX	SHOWER SCREW
I..867	EMBUDO PLÁSTICO PF	PLASTIC FUNNEL PF
I..868	SALIDA CAFE PLASTICO PF	COFFEE SPOUT 1 WAY PLASTIC
I..895	TORNILLO FIJACIÓN EMBUDO INOX	FUNNEL FIXED SCREW
I.2618	RACOR CODO 1/8 M-M INOX	ELBOW FITTING 1/8 M-M INOX
I.2720	VASTAGO ALUMINO 2015	ALUMINIUM SHAFT 2015
I.2721	PIVOTE LEVA INOX 2015	INOX LEVER PIVOT 2015
I.2905	ARANDELA SEGURIDAD DIN471 E-10	LOCK RING DIN471 E-10
I.2906	CUERPO GRIFO 2014	TAP BODY 2014
I.2909	TUERCA CIERRE GRIFO 2014	TAP LOCKING NUT 2014
I.4247	PROLONGACION GRIFO A 3/8"	TAP EXTENSION TO 3/8"
I.4887	EJE GRIFO VAPOR COMPLETO	COMPLETE STEAM TAP AXLE
I.4962	TACO CIERRE GRIFO 2020	TAP CLOSING PEG 2020
I.4969	SOPORTE TACO CIERRE GRIFO 2020	SUPPORT FOR TAP CONNECTOR 2020
I.5212	LEVA PF COMPLETA 2018	CAM FH COMPLETE 2018
PM.460	GRIFO DREAM PID 2019	TAP DREAM PID 2019

PM-598 - SOLENOID VALVE 230V  
PM-599 - SOLENOID VALVE 120V

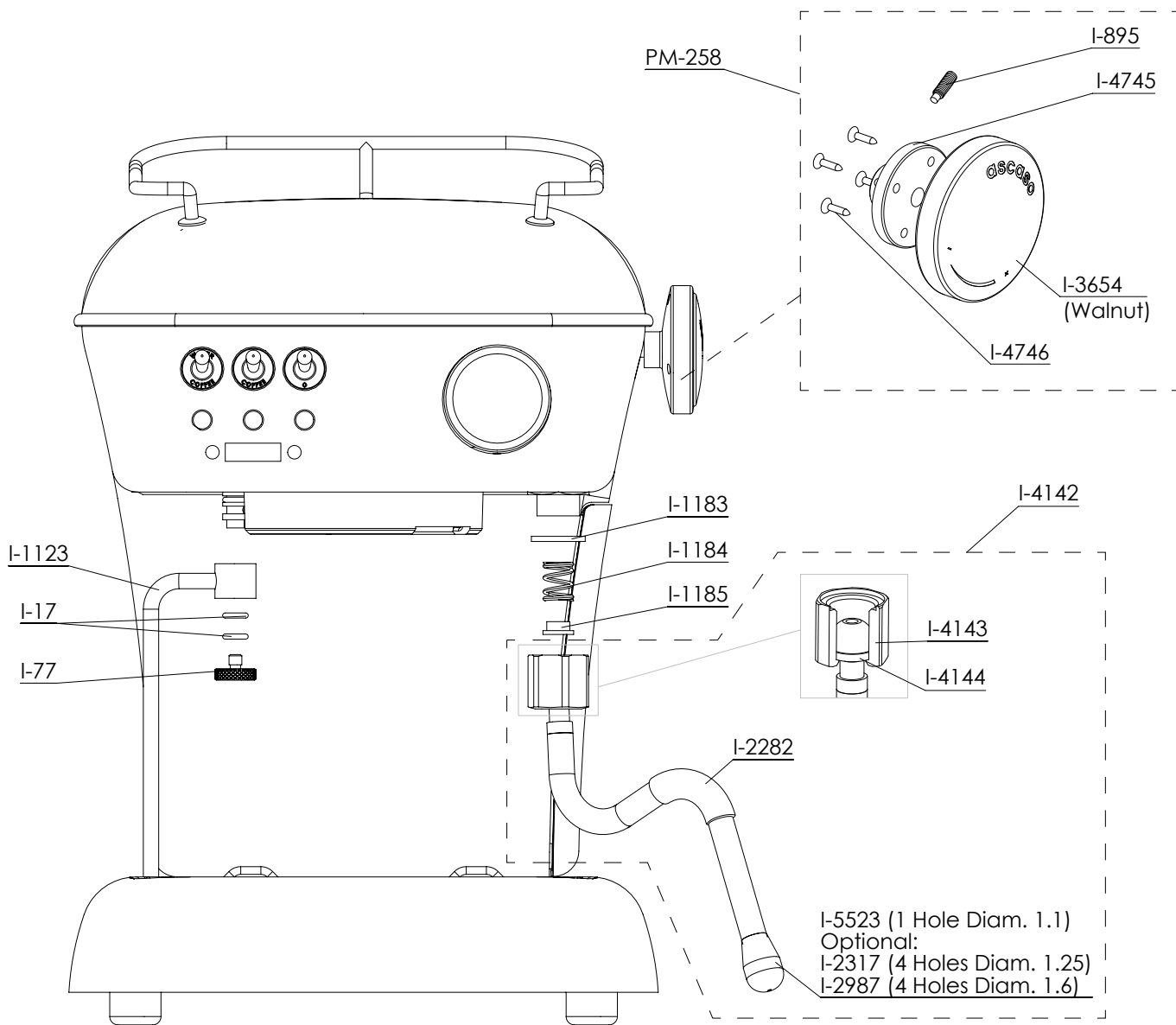


PM-317 - DREAM PUMP 230V  
PM-318 - DREAM PUMP 120V

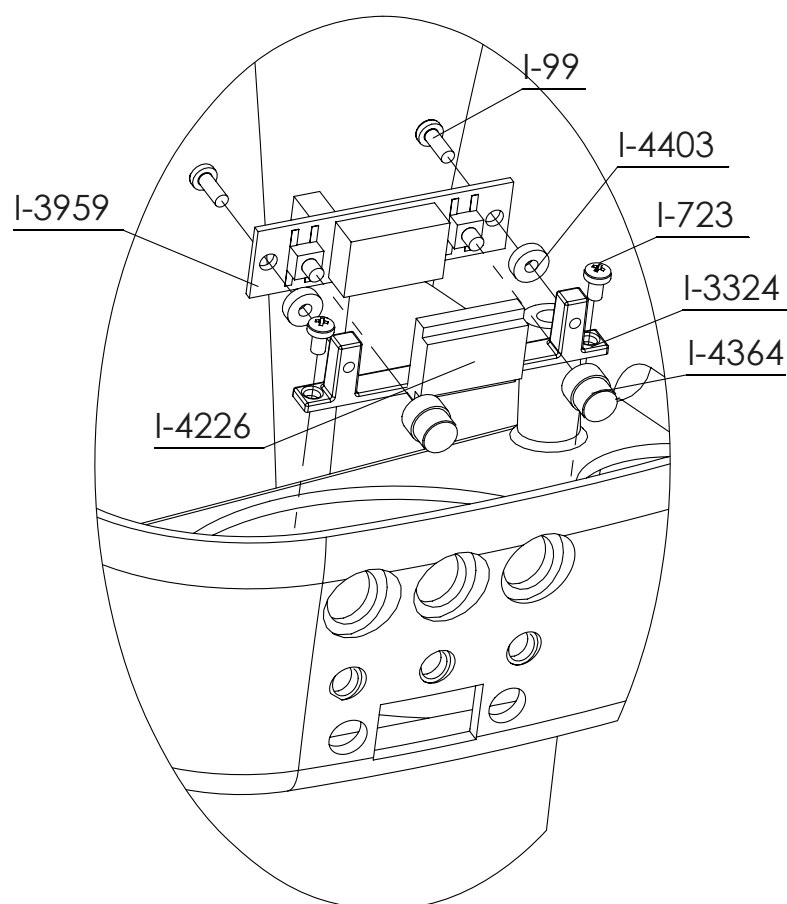


REF.	DESCRIPCIÓN	DESCRIPTION
I...44	RACOR CODO	RL BOIX FITTING
I...46	REFUERZO TUBO	PIPE REINFORCEMENT
I..259	ELECTROV. 3 VIAS PASO 1.2 230V 1/8-1/8 0-15BAR	3 WAY SOLENOID
I..292	BOMBA CP4SP PLUS 230/240V 50Hz	230V 50Hz PUMP
I..303	TORICA S-2	S-2 RING
I..675	BOMBA 110/120V 60 Hz	110/120V 60Hz PUMP
I..706	ELECTROVALVULA 3 VIAS PASO 1.2 120V 1/8-1/8 0-15BAR	120V 3 WAYS SOLENOID
I..729	TUBO TEFLON 4x6 (100mm)	4x6 (100mm) TEFLON PIPE
I.2364	RACOR CONTADOR VOLUMETRICO 1/8"-1/8" INOX	FITTING VOLUMETRIC CONTROL 1/8"-1/8"
I.3002	RACOR BOMBA	PUMP FITTING
PM.317	BOMBA DREAM PID 230V	PUMP WHOLE DREAM PID 230V
PM.318	BOMBA DREAM PID 110V	PUMP WHOLE DREAM PID 110V
PM.598	CONJUNTO EV DREAM 230V 2022	SOLENOID DREAM 230V 2022
PM.599	CONJUNTO EV DREAM 120V 2022	SOLENIOD DREAM 120V 2022



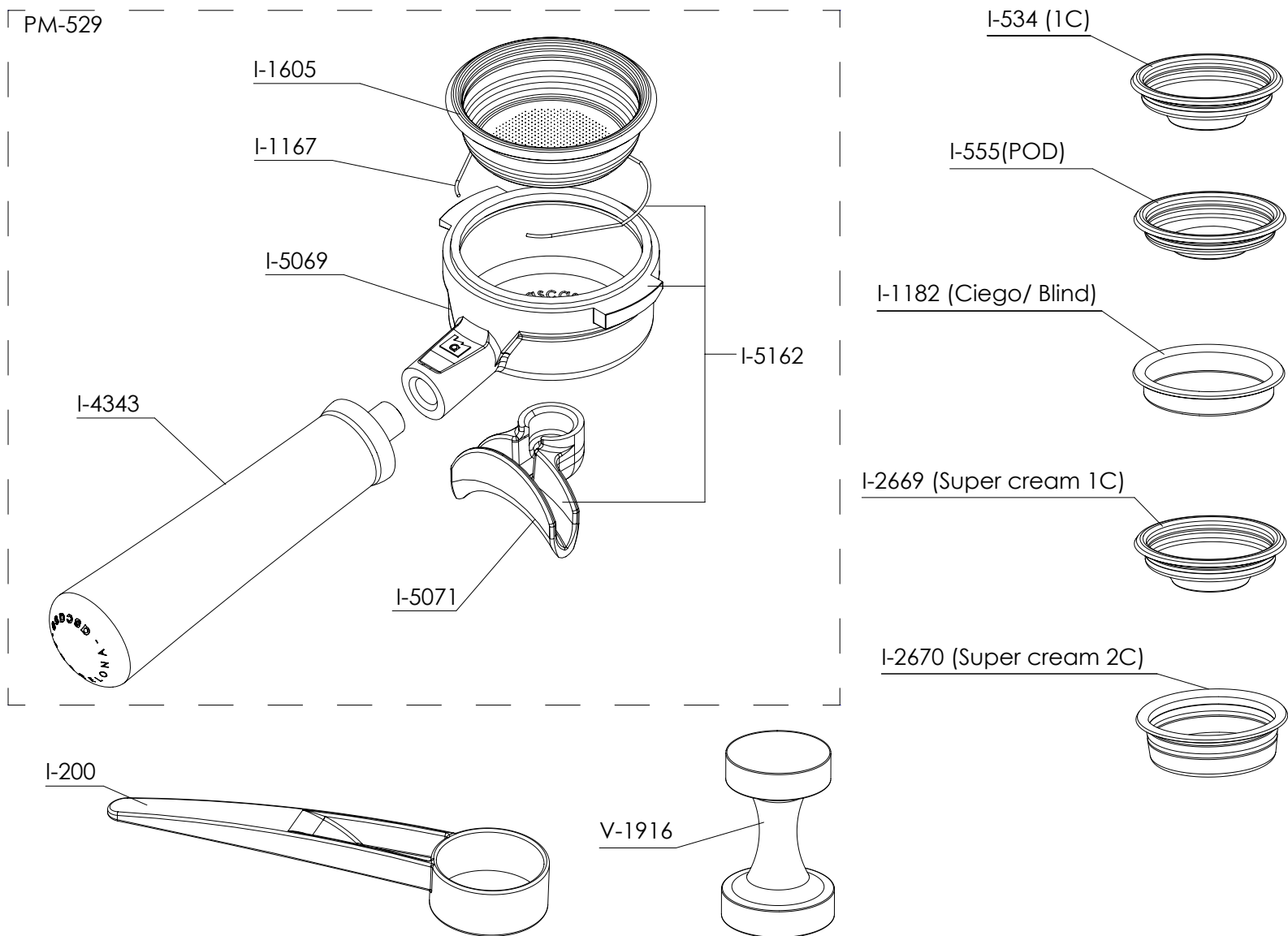


REF.	DESCRIPCIÓN	DESCRIPTION
I...17	JUNTA TORICA	SILICONE RING
I...77	FIJADOR TUBO VAPOR	PIPE STEAM SCREW
I..895	TORNILLO FIJACION EMBUDO INOX	FUNNEL FIXED SCREW
I.1123	TUBO DESCARGA	DRAIN PIPE
I.1183	ARANDELA GRIFO AGUA	WATER TAP WASHER
I.1184	MUELLE GRIFO SALIDA VAPOR-AGUA	STEAM - WATER OUTLET TAP SPRING
I.1185	GUIA MUELLE GRIFO AGUA	SPRING GUIDE WATER TAP
I.2282	PROTECTOR TUBO VAPOR INOX BARISTA D.10mm	STEAM TUBE PROTECTOR BARISTA D.10mm
I.2317	SALIDA VAPOR INOX BARISTA PTFE D.10mm (4xD1.25)	STEAM OUTLET INOX BARISTA PTFE D.10mm (4x1.25)
I.2987	SALIDA VAPOR INOX BARISTA PTFE D.10mm (4xD1.6)	STEAM OUTLET INOX BARISTA PTFE D.10mm (4x1.6)
I.3654	POMO VAPOR MADERA DREAM NOGAL	STEAM TAP WOOD DREAM
I.4142	TUBO VAPOR MD STEEL UNO/DUO PROF PTFE D.10mm	UNO/DUO PROF PIPE PTFE D.10mm
I.4143	TUERCA TUBO VAPOR/AGUA PTFE	NUT STEAM/ WATER PTFE
I.4144	JUNTA TEFLON TUBO VAPOR/AGUA PTFE	TEFLON GASKET STEAM/ WATER PTFE
I.4745	CASQUILLO POMO VAPOR DREAM	FIXER STEAM HANDLE DREAM
I.4746	TORNILLO D2.5X10MM DIN 7505-A	SCREW D2.5X10MM DIN 7505-A
I.5523	SALIDA TUBO VAPOR 1xD1.1mm MD STEEL UNO/DUO PROF PTFE D.10mm	STEAM OUTLET MD STEEL UNO/DUO PROF PTFE D.10mm (D1.1)
PM.258	POMO VAPOR MADERA DREAM COMPLETO NOGAL	SET STEAM TAP WALNUT WOOD DREAM

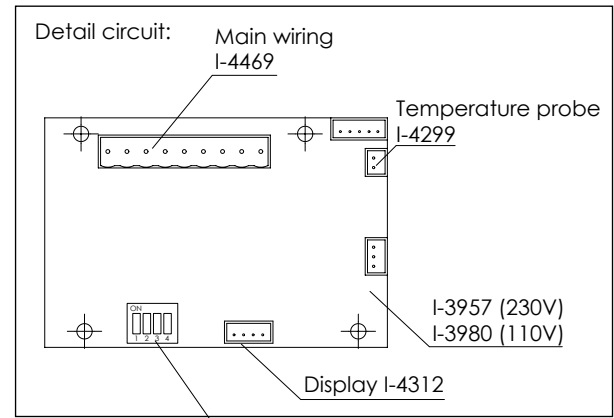
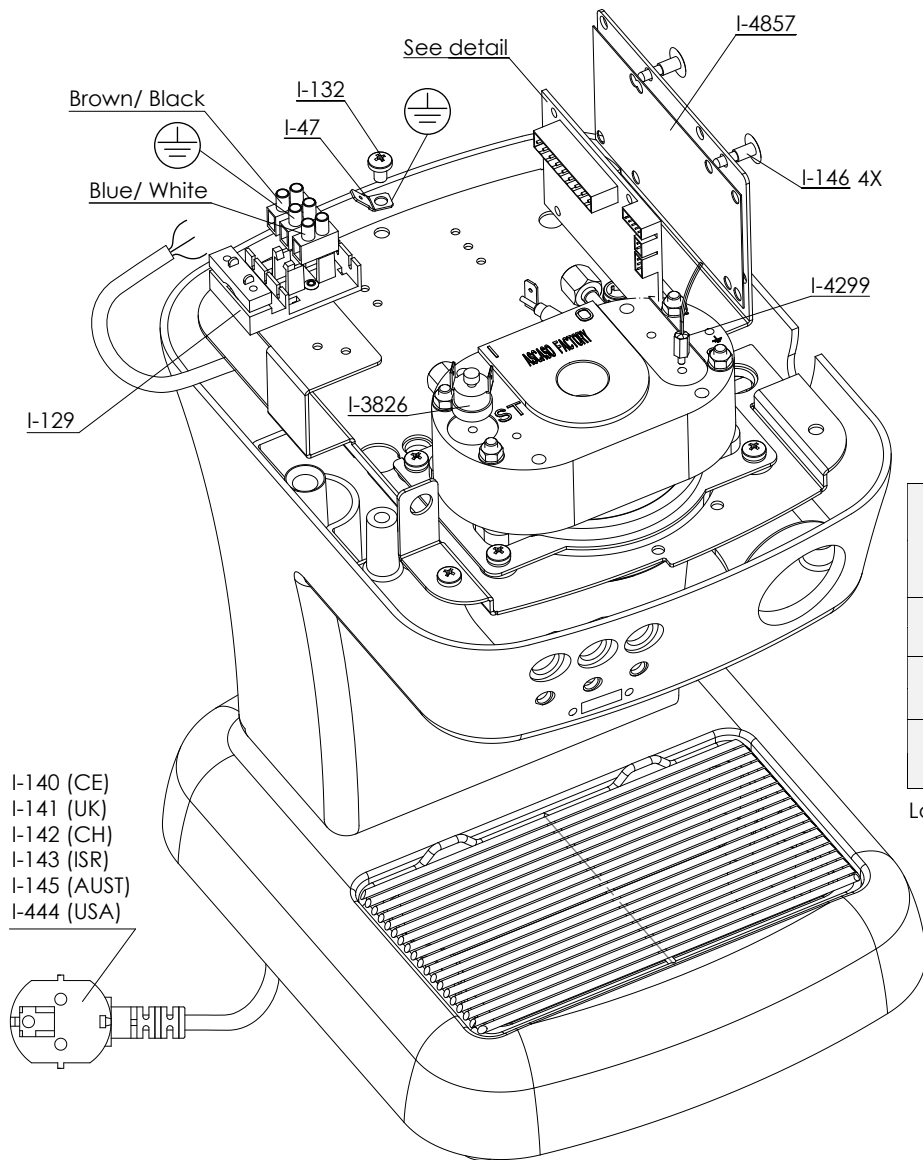


REF.	DESCRIPCIÓN
I...99	TORNILLO DIN 7985 M3x8 INOX A-4
I..723	TORNILLO DIN 7985 M3 X 5 INOX
I.3324	SOPORTE DISPLAY DREAM PID
I.3959	DISPLAY DREAM/STEEL PID
I.4226	MIRILLA PANTALLA DREAM PID
I.4364	TECLA DREAM PID 2018
I.4403	ARANDELA NYLON 3/8X2.5

DESCRIPTION
SCREW DIN 7985 M3x8 INOX A-4
SCREW DIN 7985 M3 X 5 INOX
BRACKET DISPLAY DREAM PID
DREAM DISPLAY MULTIFUN. CIRCUIT
SCREEN DREAM PID
KEY DREAM PID 2018
WASHER NYLON 3/8X2.5

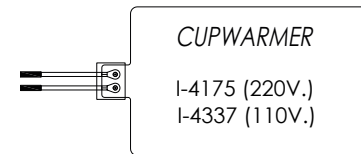


REF.	DESCRIPCIÓN	DESCRIPTION
I..200	CUCHARA MEDIDORA	SPOON
I..534	CACILLO 1 CAFE PROFESIONAL	PROFESSIONAL 1 COFFEE FILTER
I..555	CACILLO POD PROF.	POD PROF. FILTER
I.1167	ARO RETENCION FILTRO PROF. (D.1MM)	PROF FILTER SPRING
I.1182	CACILLO CIEGO PROF/BARISTA	PROF BLIND FILTER
I.1605	CACILLO 2 CAFE	2 COFFEES FILTER
I.2669	CACILLO 1C SC PROF.	FILTER 1C SC PROF.
I.2670	CACILLO 2C SC PROF	FILTER 2C SC PROF.
I.4343	MANGO PORTA MADERA BARISTA T/ BIG DREAM PLUS NOGAL	SET HANDLE WALNUT WOOD BARISTA / BIG DREAM PLUS
I.5069	CUERPO PORTAFILTRO INOX	EXTRA DEEP INCLINED FILTER HOLDER BODY M12 STAINLESS
I.5071	SALIDA 2 CAFES ABIERTA INOX	OUTPUT 2 OPEN STAINLESS STEEL COFFEE
I.5162	PORTAFILTRO M12 INCLINADO EXTRA PROFUNDO INOX. 2 CAFE	2 COFFEE EXTRA DEEP INCLINED FILTER HOLDER M12 STAINLESS
PM.529	PORTAFILTRO INOX. COMPLETO NOGAL 2 CAFES	2 COFFEE STAINLESS COMPLETE FILTERHOLDER WALNUT WOOD
V.1916	PRENSA CAFE ALUMINIO 57/58mm	ALUMINUM COFFEE TAMPER

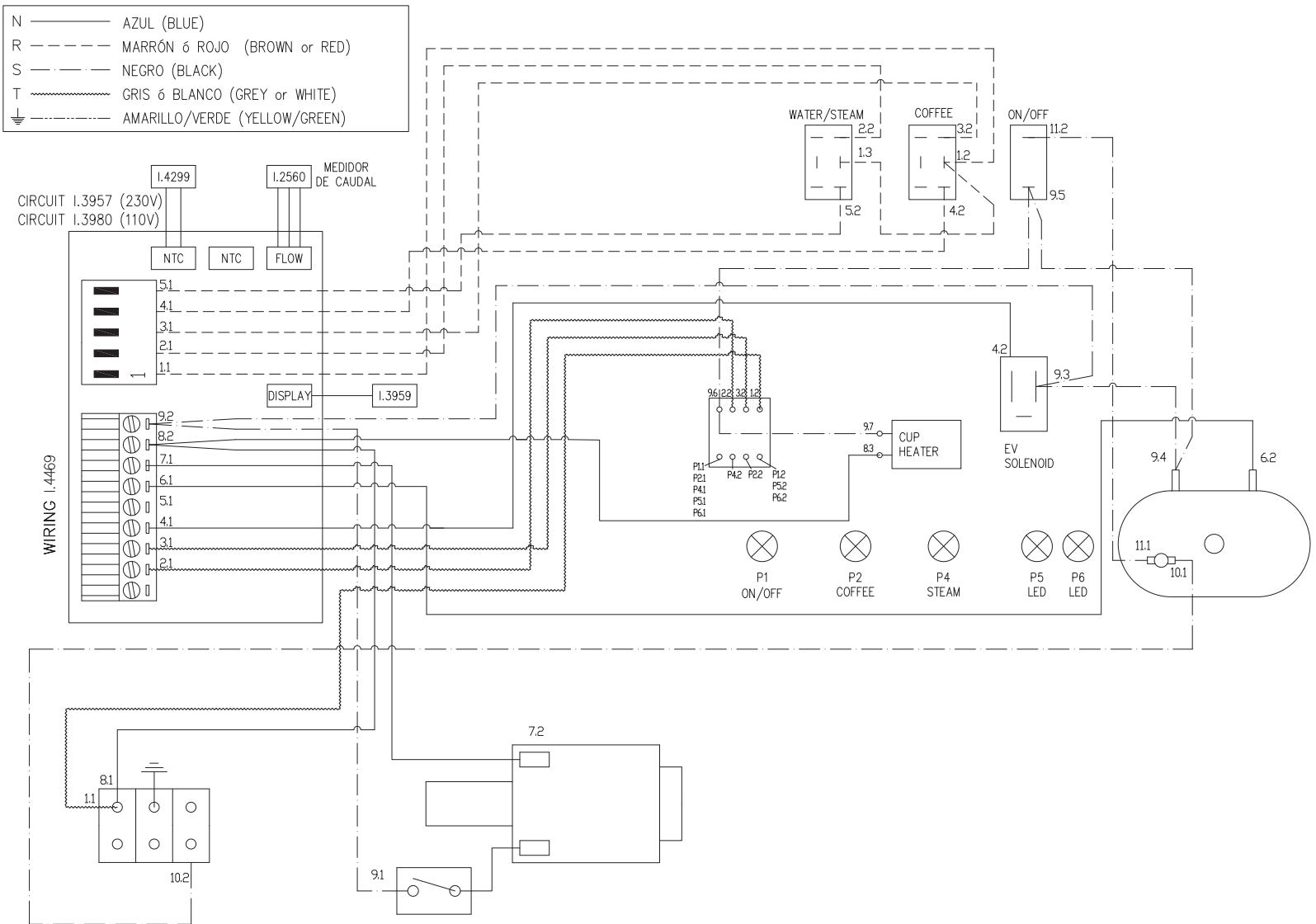


	DIP SW1				
	1	2	3	4	
CONTADOR VOLUMETRICO	ON	X	X	X	ACTIVADO
	OFF	X	X	X	DESACTIVADO
UNO DUO	X	ON	X	X	DUO
	X	OFF	X	X	UNO/DREAM
AGUA VAPOR	X	X	ON	X	DREAM
	X	X	OFF	X	UNO/DUO
DISPLAY	X	X	X	ON	ACTIVADO
	X	X	X	OFF	DESACTIVADO

La "x" significa que no importa la posición, sea ON, o sea OFF.

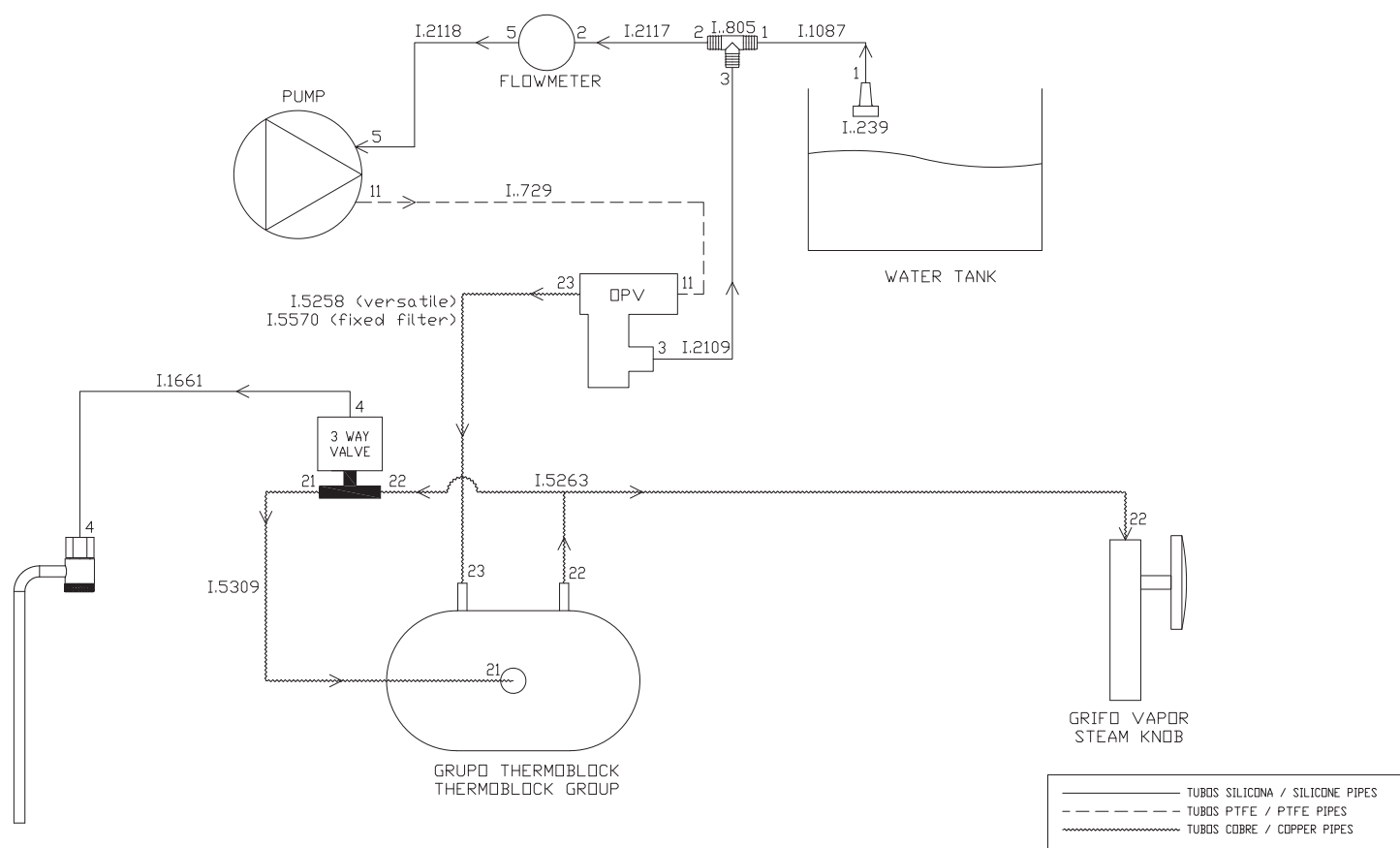


REF.	DESCRIPCIÓN	DESCRIPTION
I...47	TERMINAL MASA	TERMINALE
I..129	RETENEDOR CABLE	TERMINAL WIRING
I..132	TORNILLO M5x8 INOX	SCREW
I..140	CABLE RED EUROPEO	WIRING 230v
I..141	CABLE RED UK	WIRING UK
I..142	CABLE RED SUIZA	SWITZERLAND WIRING
I..143	CABLE RED ISRAEL	ISRAEL WIRING
I..145	CABLE RED AUSTRALIA	AUSTRALIAN WIRING
I..146	SOPORTE PLACA ELECTRONICA	THERMOSTAT SUPPORT
I..444	CABLE RED USA HOME/KAP	USA WIRING (SJT)
I.3826	TERMOSTATO SEGURIDAD 215°	SAFETY THERMOSTAT 215°
I.3957	CIRCUITO MULTIFUNCION+DISPLAY 230V	MULTIFUNCTION+DISPLAY PCB 230V.
I.3980	CIRCUITO MULTIFUNCION+DISPLAY 110V	MULTIFUNCTION+DISPLAY PCB 110V.
I.4175	RESISTENCIA CALIENTATAZAS DREAM / STEEL PID 230V 10W	CUPWARMER DREAM / STEEL PID 230V 10W
I.4299	SONDA TEMPERATURA INOX PID (M4)	INOX PID TEMPERATURE PROBE (M4)
I.4312	CABLEADO DISPLAY DREAM PID	DISPLAY WIRING DREAM PID
I.4337	RESISTENCIA CALIENTATAZAS DREAM / STEEL PID 110V 10W UL	CUPWARMER DREAM / STEEL PID 110V
I.4469	CABLEADO DREAM PID COMPLETO	COMPLETE WIRING DREAM PID
I.4857	AISLANTE CENTRALITA HOME/STEEL	HOME/STEEL PCB PLASTIC PROTECTOR



REF.	DESCRIPCIÓN	DESCRIPTION
I.2560	CONTADOR VOLUMETRIC FHKSC	DIGMESA FLOWMETER
I.3957	CIRCUITO MULTIFUNCION+DISPLAY 230V	MULTIFUNCTION+DISPLAY PCB
I.3980	CIRCUITO MULTIFUNCION +DISPLAY 110V	MULTIFUNCTION + DISPLAY PCB 110V
I.4299	SONDA TEMPERATURA INOX PID (M4)	INOX PID TEMPERATURE PROBE (M4)
I.4469	CABLEADO DREAM PID COMPLETO	COMPLETE WIRING DREAM PID





**TUBOS SILICONA / SILICONE PIPES**

- 1. I.1087 - 5X8 (300mm)
- 2. I.2117 - 5X8 (80mm)
- 3. I.2109 - 5X8 (120mm)
- 4. I.1661 - 5X8 (130mm)
- 5. I.2118 - 5X8 (160mm)

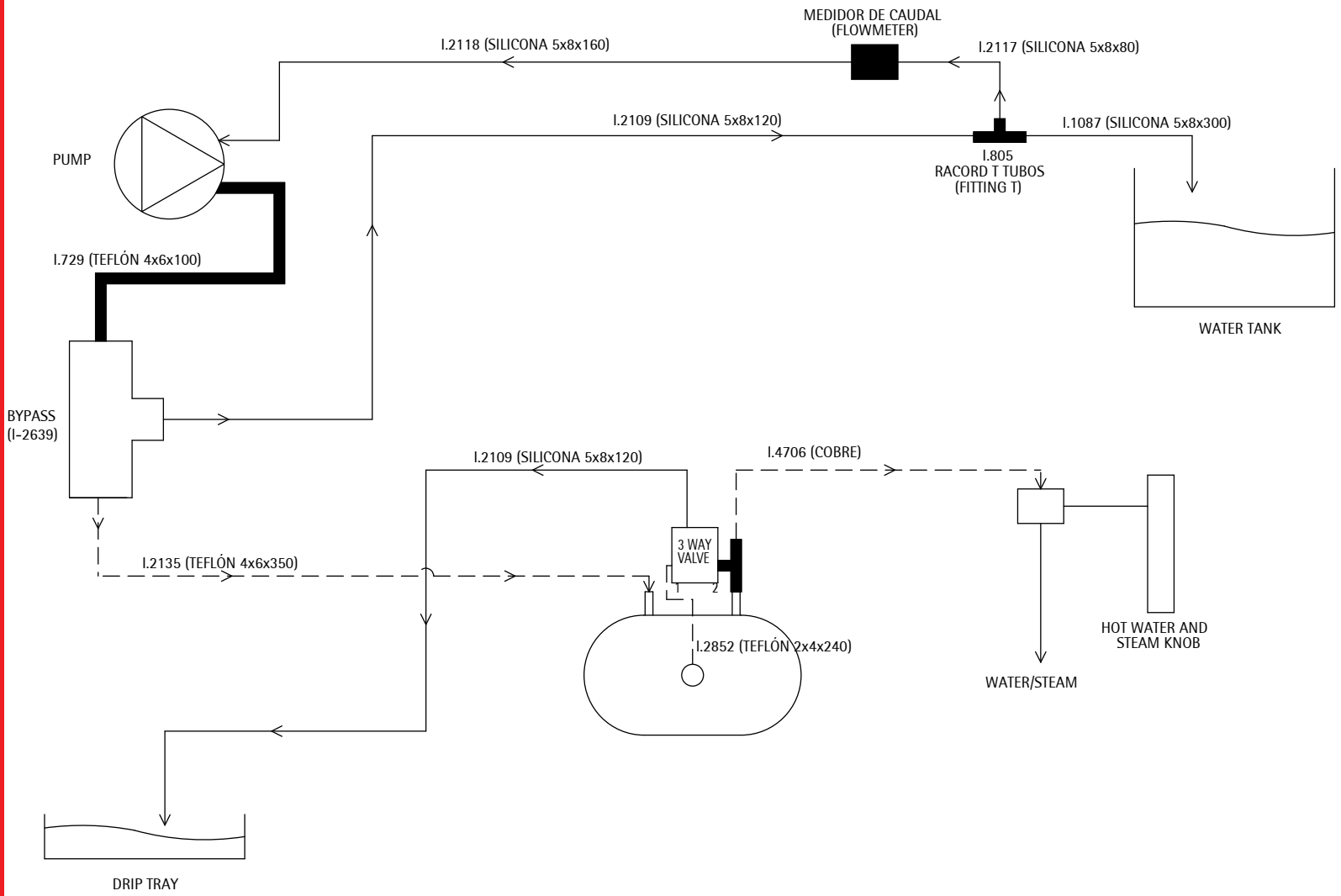
**TUBOS PTFE / PTFE PIPES**

- 11. I.729 - 4x6 (100mm)

**TUBOS COBRE / COPPER PIPES**

- 21. I.5309
- 22. I-5263
- 23. I-5258 (versatile)
- I.5570 (fixed filter)

REF.	DESCRIPCIÓN	DESCRIPTION
I..239	FILTRO	FILTER
I..729	TUBO TEFLON 4x6 (100mm)	4x6 (100mm) TEFLON PIPE
I..805	RACOR T TUBOS	FITTING T
I.1087	TUBO SILICONA 5X8 (300mm)	SILICONE PIPE 5X8 (300mm)
I.1661	TUBO SILICONA 5X8 (130mm)	SILICONE PIPE 5X8 (130mm)
I.2109	TUBO SILICONA 5X8 (120mm)	SILICONE PIPE 5X8 (120mm)
I.2117	TUBO SILICONA 5X8 (80mm)	SILICONE PIPE 5X8 (80mm)
I.2118	TUBO SILICONA 5X8 (160mm)	SILICONE PIPE 5X8 (160mm)
I.5258	TUBO COBRE OPV DREAM VERSATIL	DREAM VERSATILE OPV COPPER PIPE
I.5263	TUBO COBRE DISTRIBUIDOR DREAM PID	DREAM PID DISTRIBUTOR COPPER PIPE
I.5309	TUBO COBRE SALIDA CAFE DREAM PID	DREAM PID COFFEE OUTLET COPPER PIPE
I.5570	TUBO COBRE OPV DREAM PF	DREAM PF OPV COPPER PIPE



REF.	DESCRIPCIÓN	DESCRIPTION
I..729	TUBO TEFLON 4X6 (100MM)	TEFLON PIPE 4X6 (100MM)
I..805	RACOR T TUBOS	FITTING T
I.1087	TUBO SILICONA 5X8 (300MM)	SILICONE PIPE 5X8 (300MM)
I.2109	TUBO SILICONA 5X8 (120mm)	SILICONE PIPE 5X8 (120mm)
I.2117	TUBO SILICONA 5X8 (80MM)	SILICONE PIPE 5X8 (80MM)
I.2118	TUBO SILICONA 5X8 (160MM)	SILICONE PIPE 5X8 (160MM)
I.2135	TUBO TEFLON 4X6 (350MM)	TEFLON PIPE 4X6 (350MM)
I.2639	BY-PASS ASCASO	BY-PASS ASCASO
I.2852	TUBO TEFLON 2X4 (240MM)	TEFLON PIPE 2X4 (240MM)
I.4706	TUBO VAPOR DREAM PID	STEAM PIPE DREAM PID