

PRE-INSTALLATION CHECKLIST

FOR PLATINUM AND TUNGSTEN SMART-HEAT GAS RADIANT HEATERS
PLEASE PHOTOCOPY, COMPLETE, & SEND THIS CHECKLIST BY:

FAX TO (858) 346-1388 or
BY MAIL TO Bromic Heating, 18 Technology Dr, #121 Irvine, CA 92618
or SCAN AND SEND BY EMAIL TO info@bromicheating.com

Business Name:

Date: / / (dd / mm / yyyy)

Site Address:

Suburb:

State: Zip:

Contact Name:

Position:

Ph: () Fax: ()

Cell:

How did you hear about our heaters?

Magazine Name:

Internet Website:

Word of Mouth

Newspaper Name:

Directory Name:

Salesperson

Purchased from us before

Seen on location Where:

Other (please specify):

.....

Gas Type (please tick): NG LPG

(i.e. does the gas come to the premises via bottles [LPG] or pipes [NG])

Application (please tick):

Commercial Domestic

Description (eg. hotel):

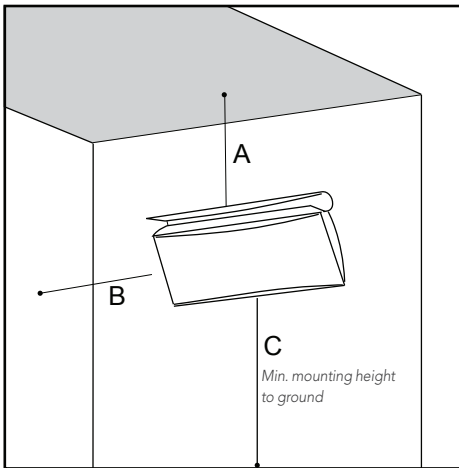
Area dimensions (feet):

Length: Width:

Ceiling Height:

CLEARANCES:

Clearance requirements for Platinum and Tungsten Smart-Heat heaters are as follows:
(Note: adequate clearance must be directly above the heater)



A) WALL MOUNT NO DEFLECTOR:

Minimum distance to combustible materials:

	A	B	C
Platinum and Tungsten Smart-Heat			
300	3.6' / 110cm	3.6' / 110cm	8' / 244cm*
500	3.6' / 110cm	3.6' / 110cm	8' / 244cm*

*Please refer to local authorities for any additional mounting guidelines

B) WALL MOUNT WITH DEFLECTOR:

Minimum distance to combustible materials:

	A	B	C
Platinum and Tungsten Smart-Heat			
300	1.15' / 35cm	3.6' / 110cm	8' / 244cm*
500	1.15' / 35cm	3.6' / 110cm	8' / 244cm*

*Please refer to local authorities for any additional mounting guidelines

C) CEILING MOUNT NO DEFLECTOR:

Minimum distance to combustible materials:

	A	B	C
Platinum and Tungsten Smart-Heat			
300	3.6' / 110cm	3.6' / 110cm	8' / 244cm*
500	3.6' / 110cm	3.6' / 110cm	8' / 244cm*

*Please refer to local authorities for any additional mounting guidelines

D) CEILING MOUNT WITH DEFLECTOR:

Minimum distance to combustible materials:

	A	B	C
Platinum and Tungsten Smart-Heat			
300	1.15' / 35cm	3.6' / 110cm	8' / 244cm*
500	1.15' / 35cm	3.6' / 110cm	8' / 244cm*

*Please refer to local authorities for any additional mounting guidelines

Is the heater adequately covered? Y N
(i.e. shielded from rain)

Is a protective cover required? Y N
(cover may be required for environmental protection OR because of lower ceiling height)

Have site plans & digital photos been provided? Y N
(NOTE: in order to more accurately review your heating requirements and provide a valid recommendation, a dimensioned plan and elevation views are required. Please also provide digital photos of the area).
If site plans not available, draw a sketch of the area showing all elevation views and open areas. Please include an appropriate scale.

Do you require a:
Ceiling Mount OR Wall Mount

IF CEILING MOUNT:

Pole length required:

Ceiling material type:

IF WALL MOUNT:

Wall construction (wall material type)

Are there any wall obstructions? Y N
(eg. speakers, TV, camera, lighting etc...)
Please describe briefly:

Will the bracket be mounted directly on the wall? Y N
(any additional mountings [eg. angle mount bracket / pole] are the responsibility of the installer)

Is adequate power available? Y N
(each heater requires 110V power and draws no more than 1A).

Does the site have existing plumbing for LPG or Natural Gas? Y N

Distributors Name:

Date: / / (dd / mm / yyyy)