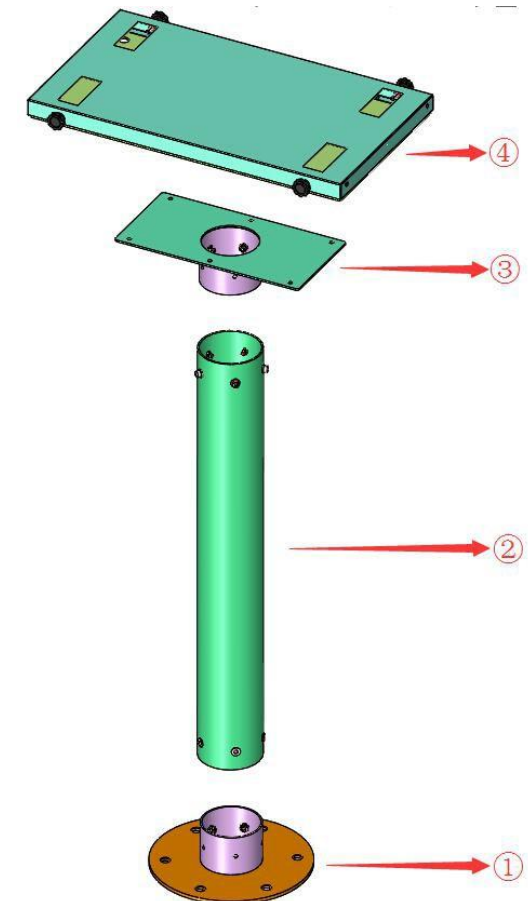




## Blaze Portable Grill Pedestal Instructions

### Parts Breakdown:

Part Name.	QTY.
Round base assembly ①	1pcs
Post ②	1pcs
Upper fixed plate assembly ③	1pcs
Table top assembly ④	1pcs
M6*12 Allen screw	16pcs
M6 Lock Washer	16pcs
M6 Flat Washer	6pcs
Allen Wrench	1pcs

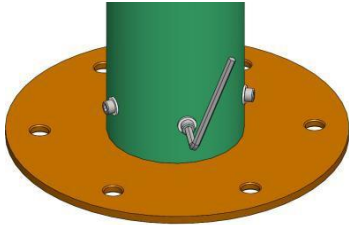


#### **California Proposition 65 Warning**

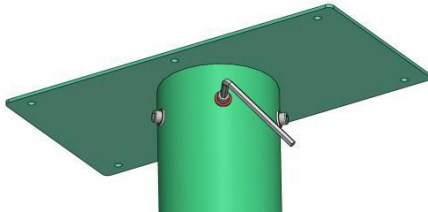
**WARNING:** This product can expose you to chemicals including Chromium (hexavalent compounds), which are known to the State of California to cause cancer and birth defects or other reproductive harm. For more information go to: [www.P65Warnings.ca.gov](http://www.P65Warnings.ca.gov)

## Assembly steps:

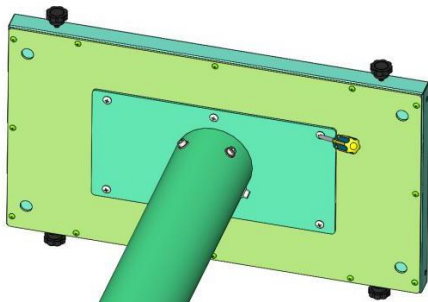
1. Place ② post over ① round base assembly, attaching them using 5 M6\*12 Allen screws and lock washers.



2. Mount ③ upper fixed plate assembly onto ② post, attaching them using 5 M\*12 Allen and lock washers.



3. Assemble the ④ table top to the ③ upper fixed plate, attaching them using 6 M5\*12 Allen screws, flat washers, and lock washers.



## Mounting base and grill:

**Note:** It is very important that the grill base be mounted securely to the surface it sits on. Use the appropriate fasteners (not included) for the material you are securing to.

The grill's feet install into the 4 rectangular openings on the corners of the table top assembly. Once in place, secure the feet to the table top assembly by tightening the 4 foot securing handles.

