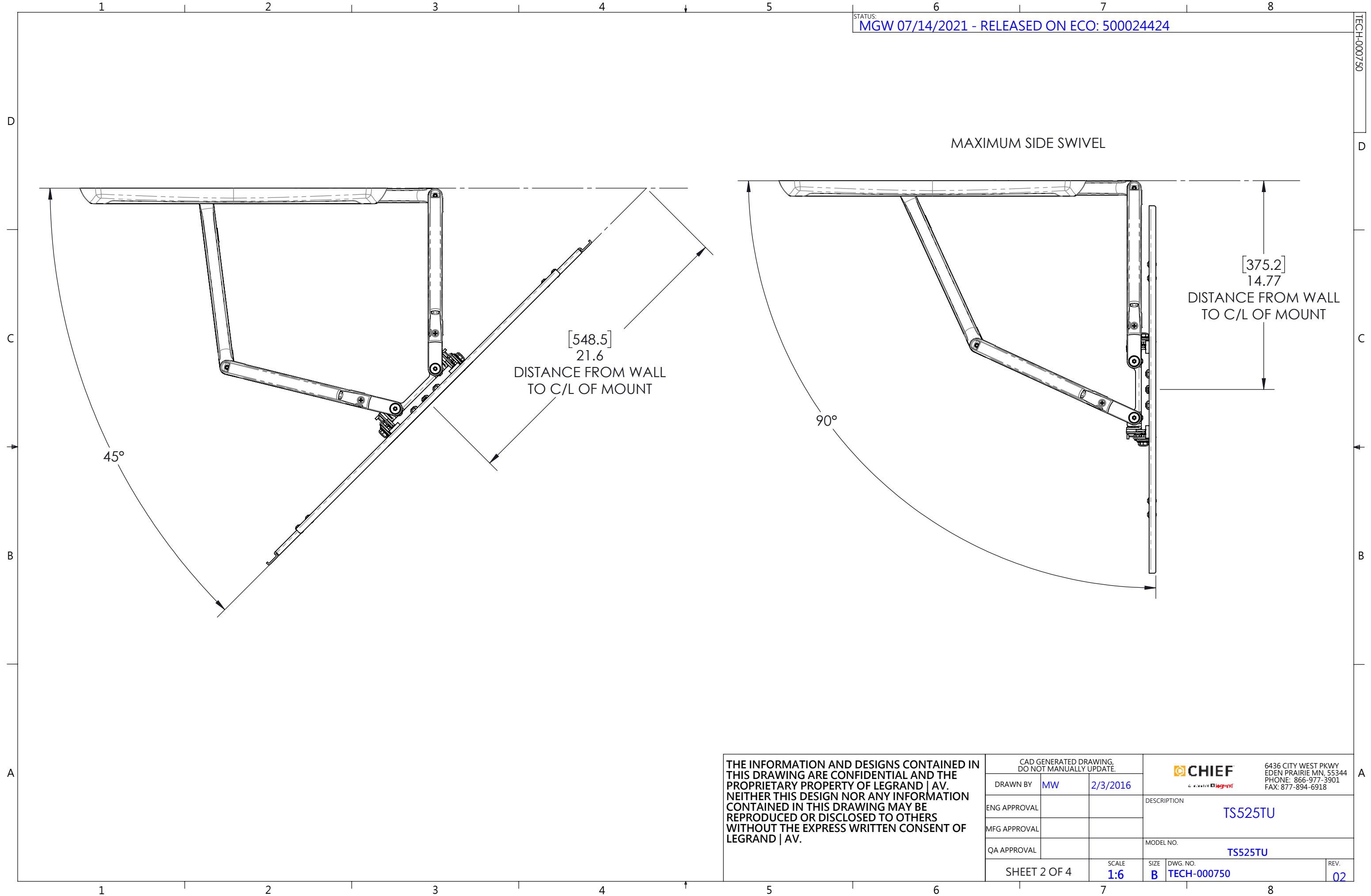



THE INFORMATION AND DESIGNS CONTAINED IN THIS DRAWING ARE CONFIDENTIAL AND THE PROPRIETARY PROPERTY OF LEGRAND | AV. NEITHER THIS DESIGN NOR ANY INFORMATION CONTAINED IN THIS DRAWING MAY BE REPRODUCED OR DISCLOSED TO OTHERS WITHOUT THE EXPRESS WRITTEN CONSENT OF LEGRAND | AV.

CAD GENERATED DRAWING, DO NOT MANUALLY UPDATE.				6436 CITY WEST PKWY EDEN PRAIRIE MN, 55344 PHONE: 866-977-3901 FAX: 877-894-6918	
DRAWN BY	MW	2/3/2016	DESCRIPTION		
ENG APPROVAL			TS525TU		
MFG APPROVAL			MODEL NO.		
QA APPROVAL			TS525TU		
SHEET 1 OF 4		SCALE	SIZE	DWG. NO.	REV.
		1:6	B	TECH-000750	02

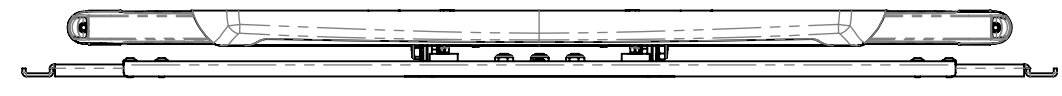


THE INFORMATION AND DESIGNS CONTAINED IN THIS DRAWING ARE CONFIDENTIAL AND THE PROPRIETARY PROPERTY OF LEGRAND | AV. NEITHER THIS DESIGN NOR ANY INFORMATION CONTAINED IN THIS DRAWING MAY BE REPRODUCED OR DISCLOSED TO OTHERS WITHOUT THE EXPRESS WRITTEN CONSENT OF LEGRAND | AV.

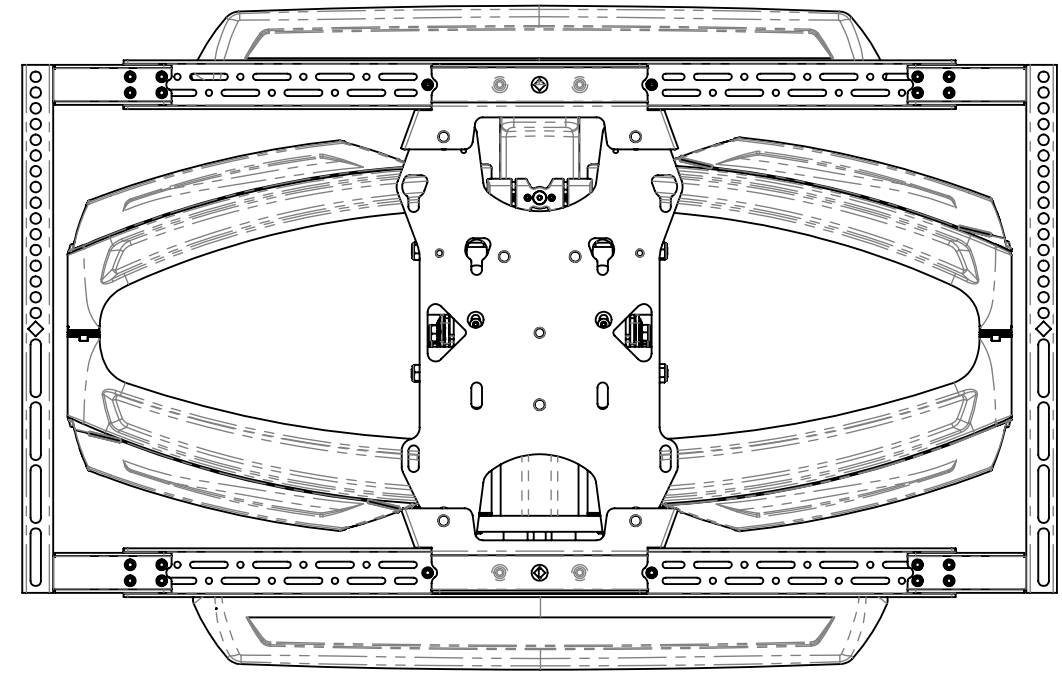
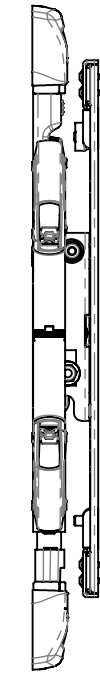
CAD GENERATED DRAWING, DO NOT MANUALLY UPDATE.			 6436 CITY WEST PKWY EDEN PRAIRIE, MN, 55344 PHONE: 866-977-3901 FAX: 877-894-6918		
DRAWN BY	MW	2/3/2016	DESCRIPTION		
ENG APPROVAL			TS525TU		
MFG APPROVAL			MODEL NO.		
QA APPROVAL			TS525TU		
SHEET 2 OF 4		SCALE	SIZE	DWG. NO.	REV.
		1:6	B	TECH-000750	02

1 2 3 4 5 6 7 8

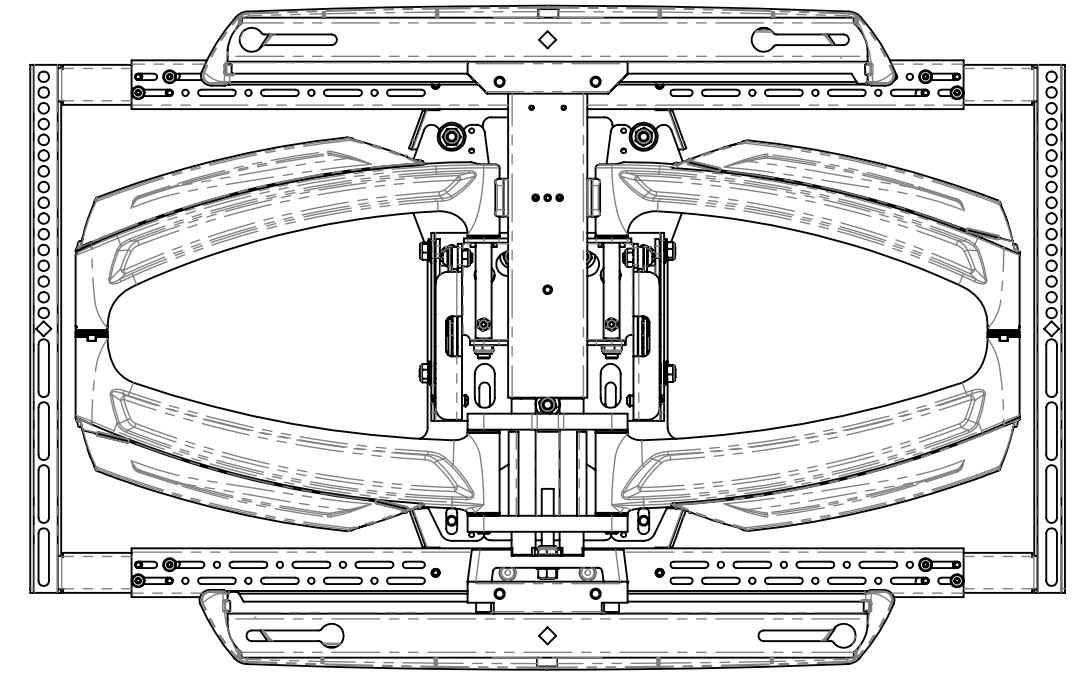
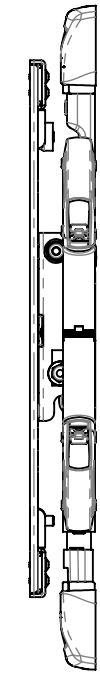
D



C



B



A


D

C

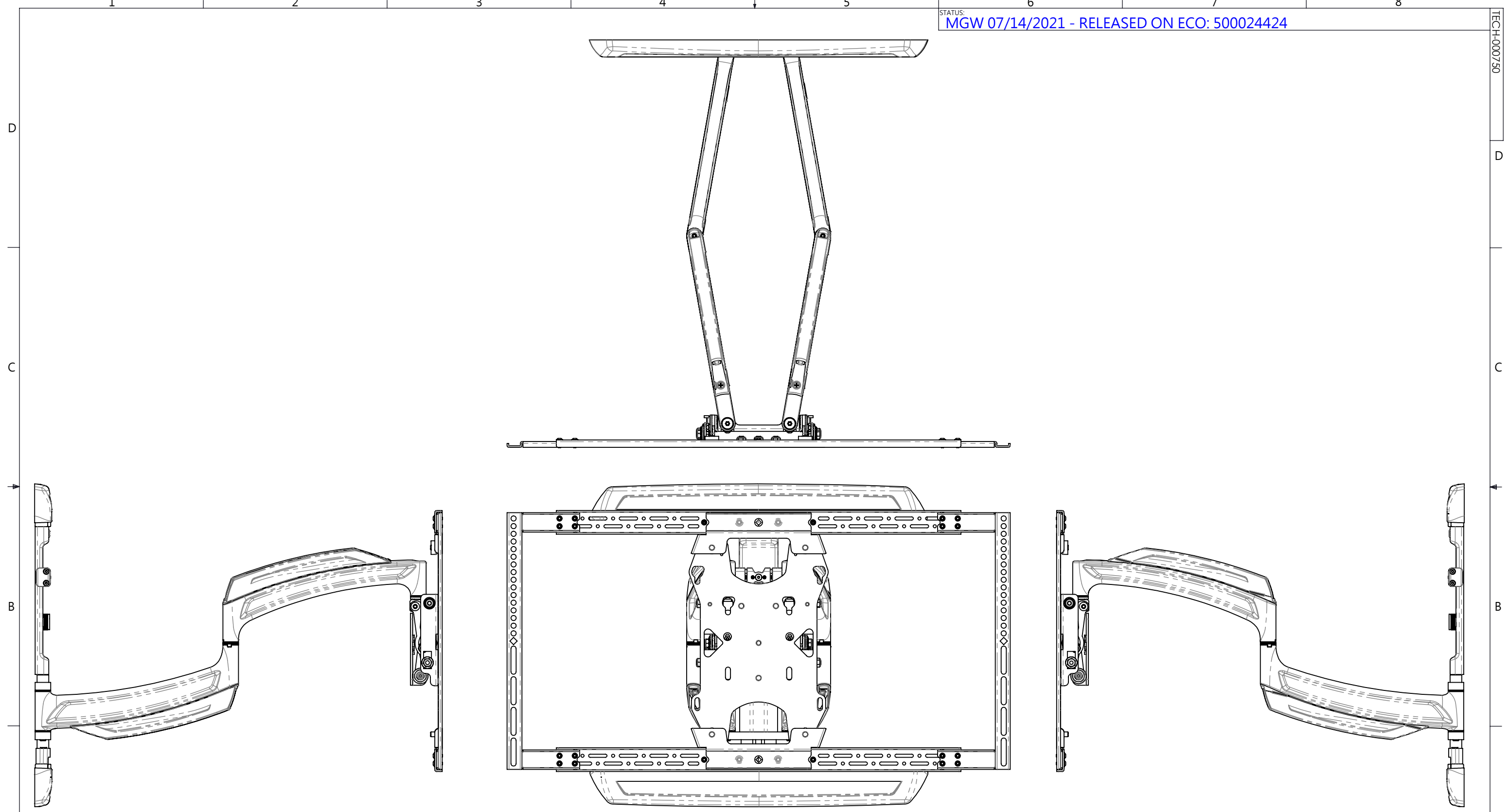
B

A


THE INFORMATION AND DESIGNS CONTAINED IN THIS DRAWING ARE CONFIDENTIAL AND THE PROPRIETARY PROPERTY OF LEGRAND | AV. NEITHER THIS DESIGN NOR ANY INFORMATION CONTAINED IN THIS DRAWING MAY BE REPRODUCED OR DISCLOSED TO OTHERS WITHOUT THE EXPRESS WRITTEN CONSENT OF LEGRAND | AV.

CAD GENERATED DRAWING, DO NOT MANUALLY UPDATE.			 6436 CITY WEST PKWY EDEN PRAIRIE MN, 55344 PHONE: 866-977-3901 FAX: 877-894-6918		
DRAWN BY	MW	2/3/2016	DESCRIPTION		
ENG APPROVAL			TS525TU		
MFG APPROVAL			MODEL NO.		
QA APPROVAL			TS525TU		
SHEET 3 OF 4		SCALE	SIZE	DWG. NO.	REV.
		1:6	B	TECH-000750	02

1 2 3 4 5 6 7 8



THE INFORMATION AND DESIGNS CONTAINED IN THIS DRAWING ARE CONFIDENTIAL AND THE PROPRIETARY PROPERTY OF LEGRAND | AV. NEITHER THIS DESIGN NOR ANY INFORMATION CONTAINED IN THIS DRAWING MAY BE REPRODUCED OR DISCLOSED TO OTHERS WITHOUT THE EXPRESS WRITTEN CONSENT OF LEGRAND | AV.

CAD GENERATED DRAWING, DO NOT MANUALLY UPDATE.			 6436 CITY WEST PKWY EDEN PRAIRIE MN, 55344 PHONE: 866-977-3901 FAX: 877-894-6918		
DRAWN BY	MW	2/3/2016	DESCRIPTION		
ENG APPROVAL			TS525TU		
MFG APPROVAL			MODEL NO.		
QA APPROVAL			TS525TU		
SHEET 4 OF 4		SCALE	SIZE	DWG. NO.	REV.
		1:6	B	TECH-000750	02