

SC-2702 SURVEILLANCE MONITOR

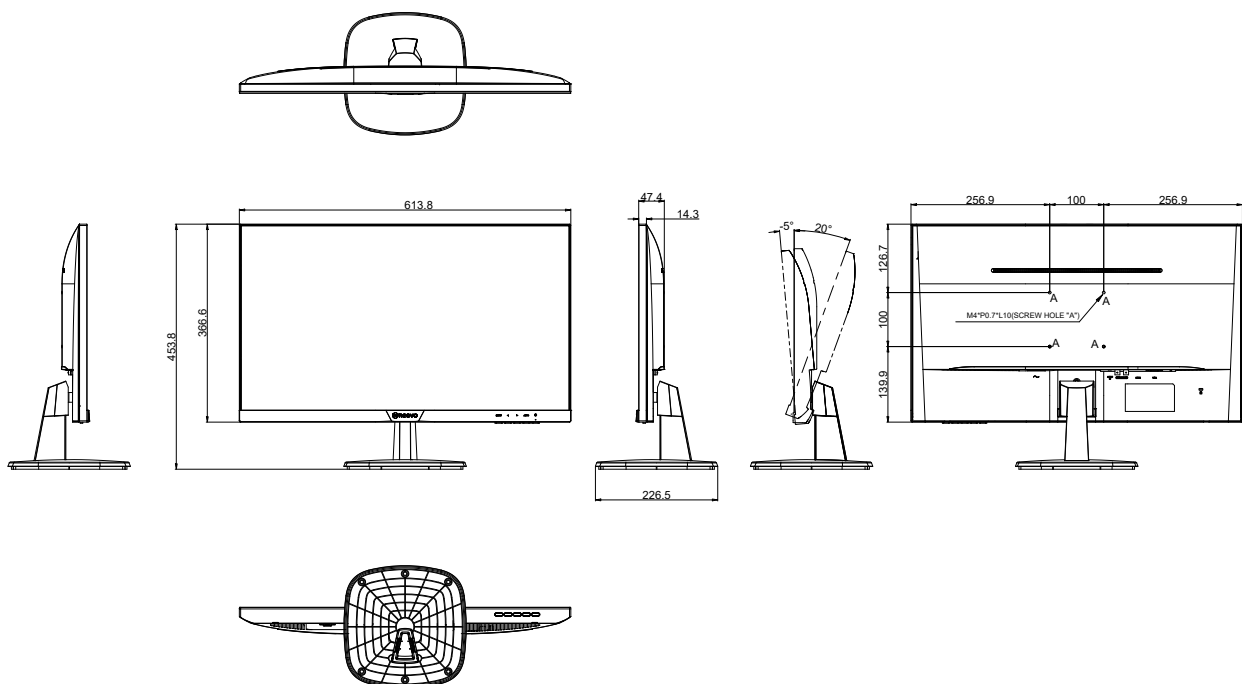
FEATURES



- 1920 x 1080 resolution and wide viewing angle
- HDMI, VGA, Composite (BNC) and dual 3W speakers
- Anti-Burn-in™ technology prevents image ghosting
- 3-sided narrow bezel design for seamless multi-display setups
- Image Enhancer: 3D Comb Filter / Deinterlace / Noise Reduction
- BNC passive loop-through output port
- Flicker-free display technology reduces eye discomfort
- Black-level adjustment for presenting more details in dark images
- Selectable gamma curves optimise the overall image quality
- CCTV picture mode for maximum image detail and clarity in low light footage
- Selectable gamma curves optimise different kinds of images
- The contrast enhancer automatically adjusts low-contrast images to become clearer.
- Optional blue or black screen when no input signal is detected
- Designed for continuous 24/7 operation

The SC-2702 is a 27-inch 3-sided bezel less security monitor specifically designed for surveillance operators - especially those with a 24/7 operating multi-screen setup who are looking for efficient video monitoring. The SC-2702 provides value-added video enhancement controls that help create detailed images for low-light footage. Its optional monitor mounting solutions support single or multiple monitor setups. In terms of cost-to-performance, this model is the solution for productivity in modern operator workstations.

TECHNICAL DRAWING



SPECIFICATIONS

Panel

Panel Type	LED-Backlit TFT LCD
Panel Size	27.0"
Max. Resolution	FHD 1920 x 1080
Pixel Pitch	0.311 mm
Brightness	300 cd/m ²
Contrast Ratio	20,000,000:1 (DCR)
Viewing Angle (H/V)	178°/178°
Display Colour	16.7M
Response Time	5 ms
Surface Treatment	Anti-Glare Treatment (Haze25%),3H Hard Coating

Frequency

Frequency (H)	30 kHz-83 kHz
Frequency (V)	50 Hz-75 Hz

Signal Input

HDMI	1.4 x 1
VGA	15-Pin D-Sub x 1
Composite	BNC x 1

Signal Output

Composite	BNC x 1
-----------	---------

Audio

Audio In	Stereo Audio Jack (3.5 mm)
Internal Speakers	3W x 2

Power

Power Requirements	AC 100-240V, 50/60 Hz
On Mode	20W (On)
Standby Mode	< 0.5W
Off Mode	< 0.3W
Power Supply	Internal

Operating Conditions

Temperature	5°C-35°C (41°F-95°F)
Humidity	10%-90% (non-condensing)

Storage Conditions

Temperature	-20°C-60°C (-4°F-140°F)
Humidity	10%-90% (non-condensing)

Mounting

VESA FPM/PMI	Yes (100 x 100 mm)
--------------	--------------------

Stand

Tilt	-5° to 20°
------	------------

Security

Kensington Security Slot	Yes
--------------------------	-----

Dimensions

Product with Base (W x H x D)	613.8 x 453.8 x 226.5 mm (24.2" x 17.9" x 8.9")
Product w/o Base (W x H x D)	613.8 x 366.6 x 47.4 mm (24.2" x 14.4" x 1.9")
Packaging (W x H x D)	678.0 x 545.0 x 134 mm (26.7" x 21.5" x 5.3")

Weight

Product w/o Base	4.1 kg (9.0 lb)
Product with Base	4.5 kg (9.9 lb)
Packaging	6.1 kg (13.5 lb)

Regulation Approval

Certifications & Compliance	CE, LVD, WEEE, RoHS, REACH, UKCA, EAC
-----------------------------	---------------------------------------

Accessories

Supplied	Power Cord, VGA Cable, Audio Cable, Quick Start Guide
----------	---

Optional Accessories

Ceiling Mount (Landscape only)	CMP-01+WMK-03
Wall Mount (Landscape only)	WMA-01, WMK-01, WMK-03, PMK-01
Desk mount (Landscape only)	DMC-01, ES-02

