



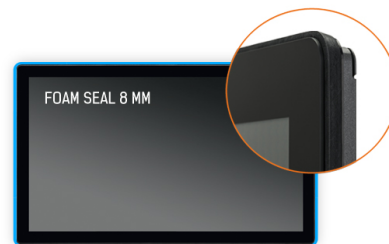
**Open Frame PCAP 10 point touch screen equipped with a foam seal finish for seamless integration**

The ProLite TF1015MC (10.1 inch) uses PCAP touch technology and is built into an eye catching bezel with edge-to-edge glass. Thanks to a glass overlay covering the screen and a rugged bezel, it guarantees high durability and scratch-resistance, making it perfect for kiosk and high use public facing applications. Equipped with a foam seal finish it supports seamless integration into kiosks and provides IP65 rating resulting in dust and water resistance from the front. Landscape, portrait and face-up orientation ensures flexible mounting possibilities in almost any installation. For ease of integration, the TF1015MC can be equipped with optional external mounting brackets ([OMK2-1](#)) making it an ideal solution for kiosk integrators, industrial environments, control rooms and interactive multimedia.



**Touch through-glass**

This through glass touch screen works right through glass and can turn glass surfaces into an interactive touch screen display. Use it on storefront windows, real estate office, in-store for POS or restaurants.



**Foam Seal**

A foam seal finish (8mm) around the monitor ensures seamless integration and optimal dust protection.

## 01 DISPLAY CHARACTERISTICS

Design	Open Frame
Diagonal	10.1", 25.7cm
Panel	VA LED
Native resolution	1280 x 800 (1 megapixel)
Aspect ratio	16:10
Panel brightness	500 cd/m <sup>2</sup>
Brightness	450 cd/m <sup>2</sup> with touch
Light transmittance	90%
Static contrast	1300:1
Response time (BTB)	25ms
Viewing zone	horizontal/vertical: 170°/170°, right/left: 85°/85°, up/down: 85°/85°
Horizontal Sync	31.4 - 49.7kHz
Viewable area W x H	216.96 x 135.6mm, 8.5 x 5.3"
Pixel pitch	0.1695mm
Bezel colour and finish	black

## 02 TOUCH

Touch technology	projective capacitive
Touch points	10 (HID, only with supported OS)
Touch method	stylus, finger, glove (latex)
Touch interface	USB
Supported operating systems	All iiyama monitors are Plug & Play and compatible with Windows and Linux. For details regarding the supported OS for the touch models, please refer to the driver instruction file available in the downloads section.
Through-Glass	6mm

## 03 INTERFACES / CONNECTORS / CONTROLS

Analog signal input	VGA x1
Digital signal input	HDMI x1 DisplayPort x1
Audio output	Mini jack x1
HDCP	yes

## 04 FEATURES

Extra	anti-fingerprint coating, touch through-glass
Glass thickness	3.3mm
Glass hardness	7H
60950 Ball drop test	yes
Water and dust protection	IP65 (front)
Water tight seal	yes
OSD key lock	yes

## 05 GENERAL

OSD languages	EN, DE, FR, ES, IT, CN, JP
---------------	----------------------------

<b>Control buttons</b>	Menu, Scroll up/ Brightness, Scroll down/ Contrast, Select, Power
<b>User controls</b>	picture (contrast, brightness, H-position, V-position, phase, clock, auto adjust), advanced (color temp, sharpness), OSD (timeout, position, H-position, V-position, touch switch), option (reset, language, source select, display mode, factory)
<b>Plug&amp;Play</b>	DDC2B

## 06 MECHANICAL

<b>Orientation</b>	landscape, portrait, face-up
<b>VESA mounting</b>	100 x 100mm
<b>Operation temperature range</b>	0°C - 40°C
<b>Storage temperature range</b>	- 20°C - 60°C

## 07 ACCESSORIES INCLUDED

<b>Cables</b>	power (1.8m), USB (1.8m), HDMI (1.8m), DP (1.8m)
<b>Guides</b>	quick start guide, safety guide
<b>Other</b>	AC adapter, Touch Panel Driver Disk (CD-ROM), external control pad

## 08 POWER MANAGEMENT

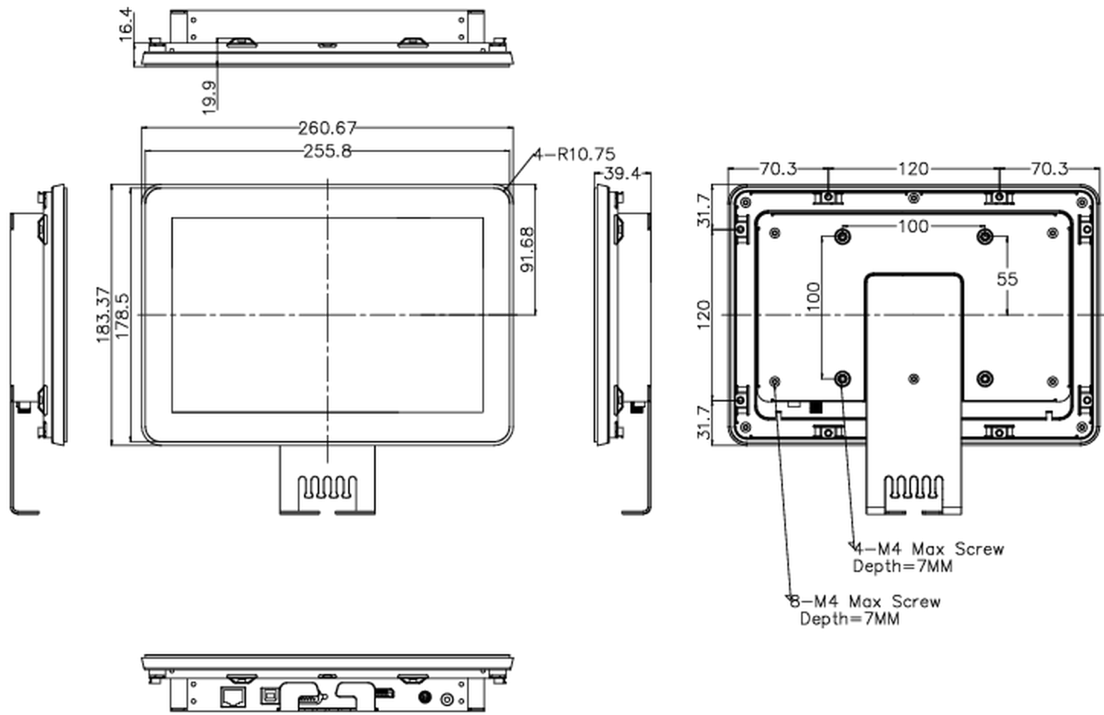
<b>Power supply unit</b>	external
<b>Power supply</b>	DC 12 V
<b>Power usage</b>	8W typical, 0.89W stand by, 0.31W off mode

## 09 SUSTAINABILITY

<b>Regulations</b>	CB, CE, RoHS support, ErP, WEEE, CU, cULus, REACH
<b>Energy efficiency class (Regulation (EU) 2017/1369)</b>	E
<b>REACH SVHC</b>	above 0.1%: Lead

## 10 DIMENSIONS / WEIGHT

<b>Product dimensions W x H x D</b>	260.5 x 183.5 x 39.5mm
<b>Weight (without box)</b>	1.4kg
<b>EAN code</b>	4948570116744



All trademarks and registered trademarks acknowledged. E & O E. Specification subject to change without notice. All LCD's comply with ISO-9241-307:2008 in connection with pixel defects.

© IIYAMA CORPORATION. ALL RIGHTS RESERVED