

PLASMA-C100D

SPECIFICATIONS

GENERAL

Min. screen size*	37 inch
Max. screen size*	75 inch
Min. weight	0 kg (per screen)
Max. weight	50 kg (per screen)
Screens	2
VESA minimum	200x200 mm
VESA maximum	800x450 mm

FUNCTIONALITY

Type	Tilt Swivel Full motion
Height adjustment	67-107 cm
Tilt (degrees)	25°
Swivel (degrees)	60°
Adjustment type	Manual

INFORMATION

Color	Black
Main material	Steel
Warranty	5 year
EAN code	8717371441739

*Please note: The inch sizes stated are just an indication, combined with the weight and VESA sizes. The maximum weight and VESA size are absolute restrictions for the products and should not be exceeded.

NEOMOUNTS MONITOR CEILING MOUNT



Neomounts TV/Monitor Ceiling Mount for Dual 37"-75" Screens (Back to Back), Height Adjustable - Black

The Neomounts ceiling mount, model PLASMA-C100D is a dual-sided tilt- and swivel ceiling mount for flat screens up to 75" (191 cm). This mount is a great choice for space saving placement or when wall mounting and floor placement is not an option.

Neomounts versatile tilt (25°) and swivel (60°) technology allows the mount to change to any viewing angle to fully benefit from the capabilities of the flat screen. The support is easily height adjustable from 67 to 107 centimetres. If different heights are needed extension poles are available. An innovative cable management conceals and routes cables from ceiling to TV. Hide your cables in the column to keep it nice and tidy.

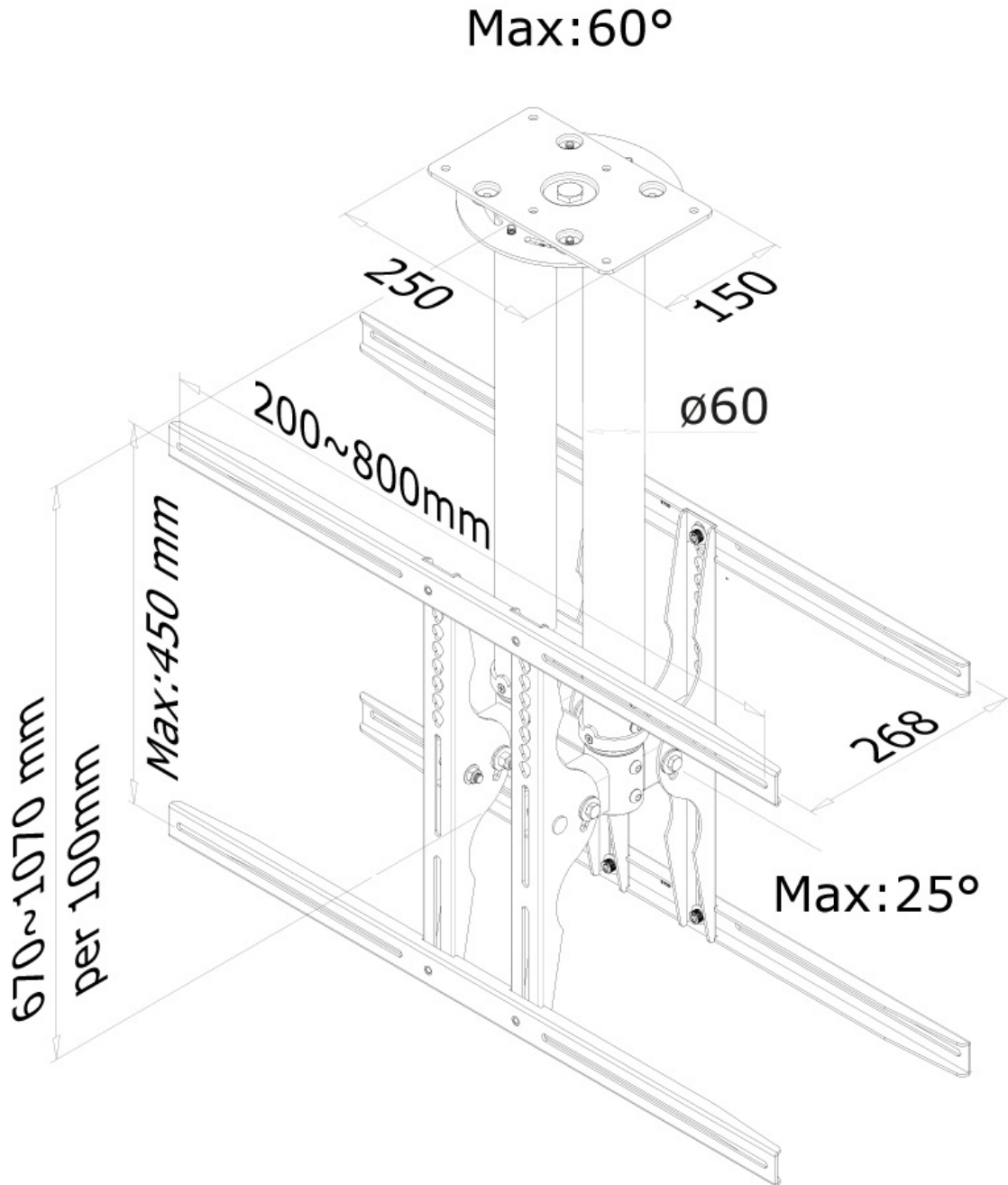
Neomounts PLASMA-C100D has one pivot point and is suitable for screens up to 75" (191 cm). The weight capacity of this product is 100 kg. The ceiling mount is suitable for screens that meet VESA hole pattern 200x200 to 800x450mm. Different hole patterns can be covered using Neomounts VESA adapter plates.

All installation material is included with the product.

By using extension poles (FPMA-CP100 up to FPMA-CP200) you can increase the distance to the ceiling. These can be ordered additionally. This pole replaces the original pole. Please note that to extend the PLASMA-C100D you will need two extension poles.

PLASMA-C100D

NEOMOUNTS MONITOR CEILING MOUNT



Neomounts

Measuring unit: mm