

FPMA-W830

NEOMOUNTS TV/MONITOR WALL MOUNT

SPECIFICATIONS

GENERAL

Min. screen size*	10 inch
Max. screen size*	27 inch
Min. weight	0 kg (per screen)
Max. weight	12 kg (per screen)
Screens	1
VESA minimum	75x75 mm
VESA maximum	100x100 mm
Distance to wall	5-37 cm

FUNCTIONALITY

Type	Tilt Swivel Full motion
Tilt (degrees)	140°
Swivel (degrees)	180°
Adjustment type	None

INFORMATION

Color	Silver
Main material	Aluminium
Warranty	5 year
EAN code	8717371441258

*Please note: The inch sizes stated are just an indication, combined with the weight and VESA sizes. The maximum weight and VESA size are absolute restrictions for the products and should not be exceeded.



Neomounts



Neomounts

Neomounts TV/Monitor Wall Mount (Full Motion) for 10"-27" Screen - Silver

The Neomounts wall mount, model FPMA-W830 is a tilt- and swivel wall mount for flat screens up to 27" (69 cm). This mount is a great choice when you want the ultimate viewing flexibility with your flat screen. Effortless pull the display out from the wall, position it in almost any direction, turn it around corners and then smoothly return it to the wall when finished.

Neomounts' tilt (20°) and swivel (180°) technology allows the mount to change to any viewing angle to fully benefit from the capabilities of the flat screen. The mount is easily depth adjustable from 4 to 36 centimetres.

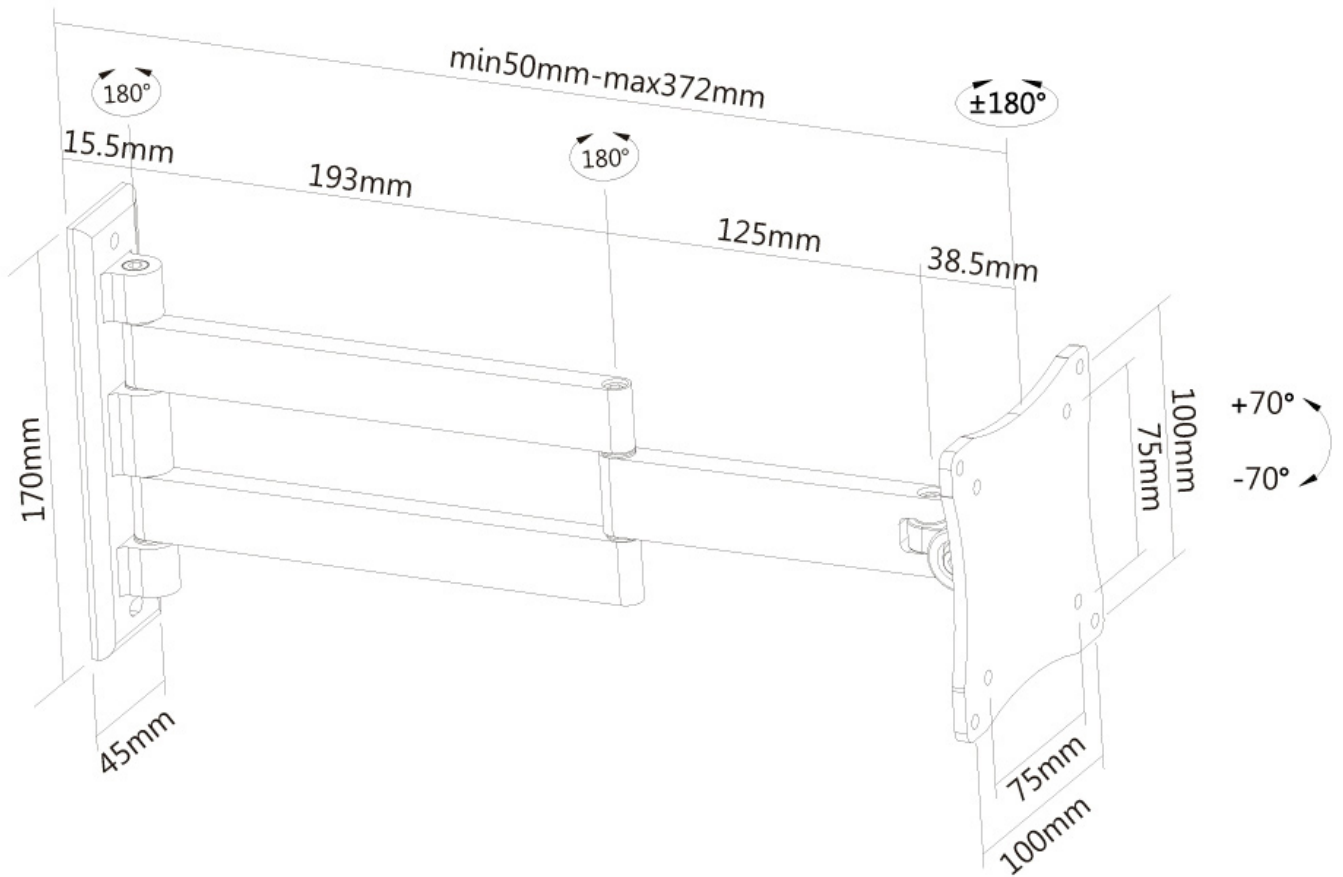
Neomounts FPMA-W830 has three pivot points and is suitable for screens up to 27" (69 cm). The weight capacity of this product is 12 kg each screen. The wall mount is suitable for screens that meet VESA hole pattern 75x75 and 100x100mm. Different hole patterns can be covered using Neomounts VESA adapter plates.

Create a clean design ambiance for your flat screen TV in the living room, bedroom or home cinema.

All installation material is included with the product.

FPMA-W830

NEOMOUNTS TV/MONITOR WALL MOUNT



Neomounts