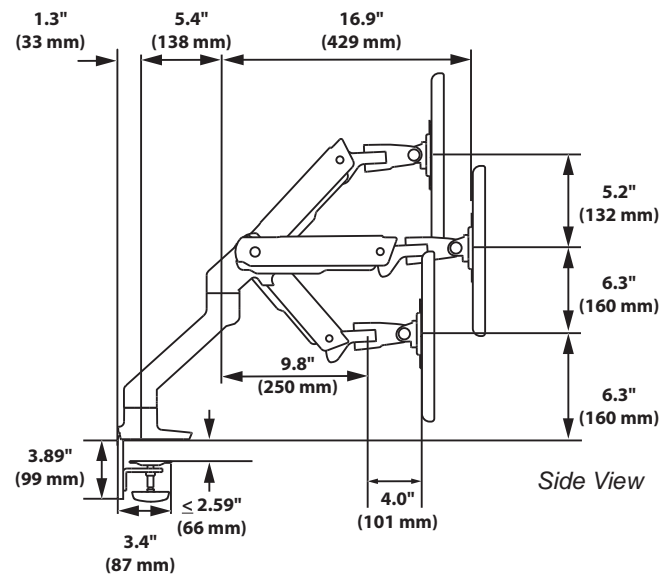
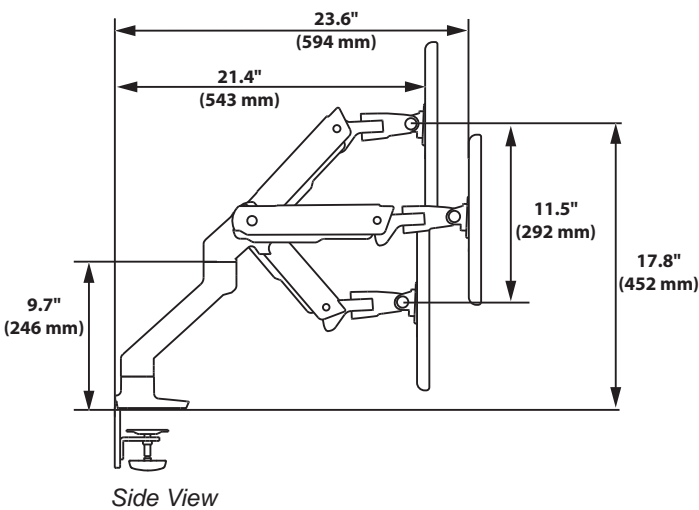
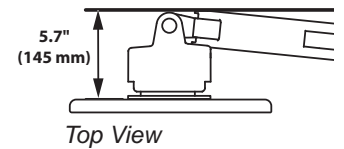
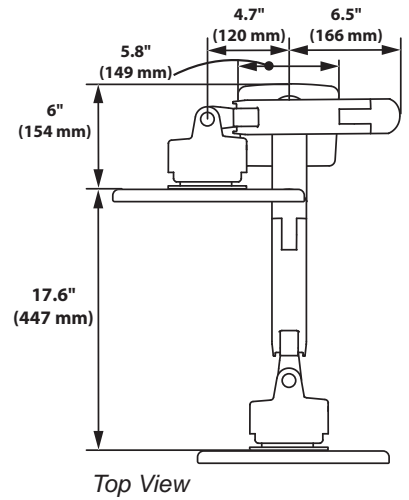
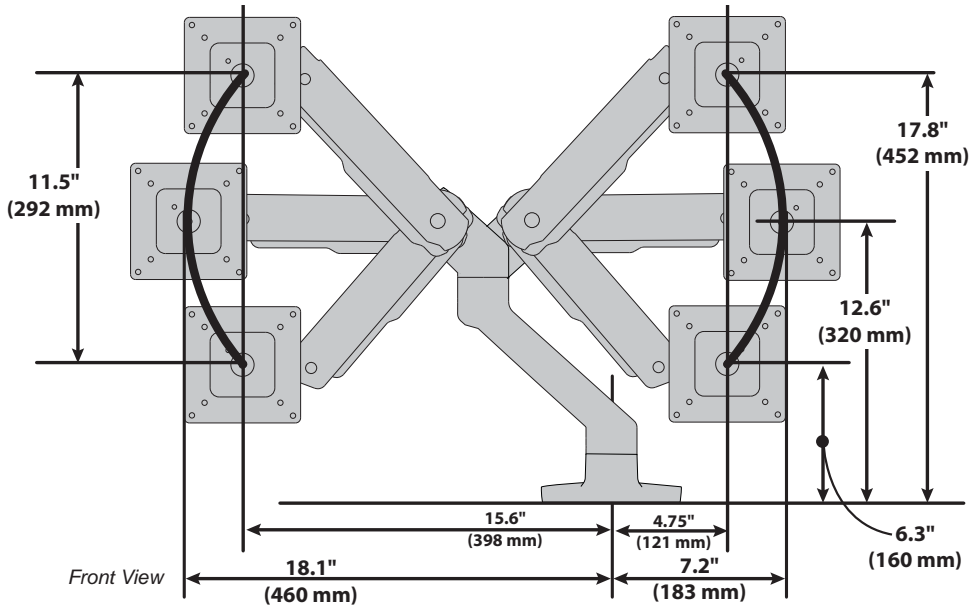
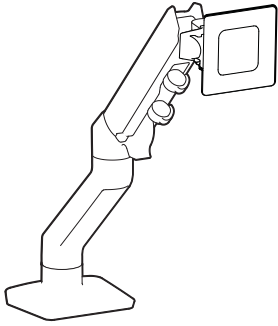
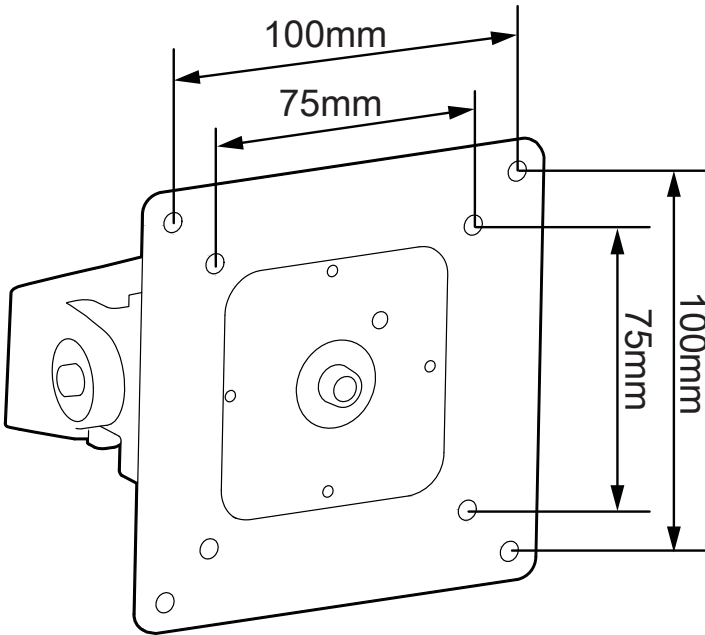


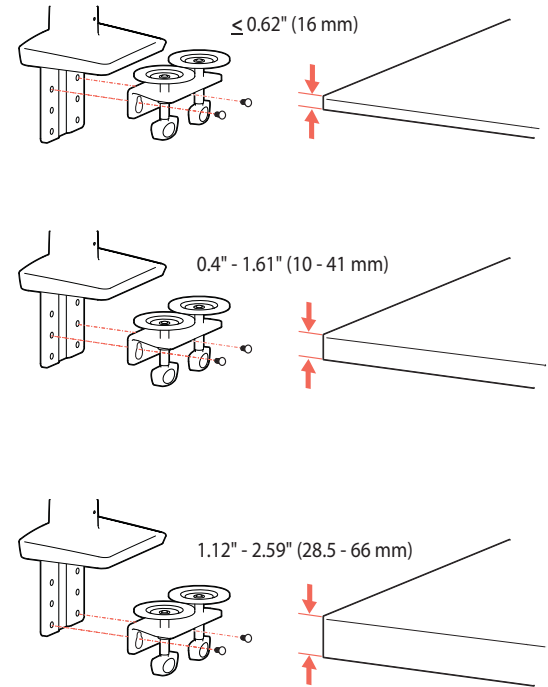
HX Desk Monitor Arm With HD Tilt



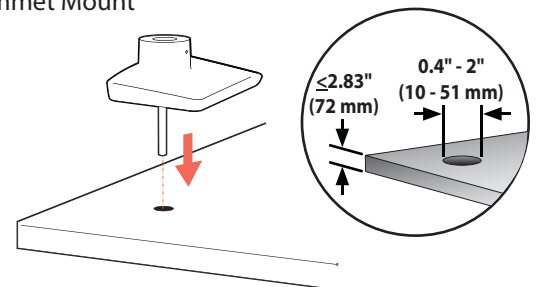
Monitor Mount VESA options



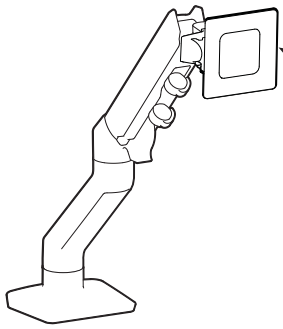
Desk Clamp



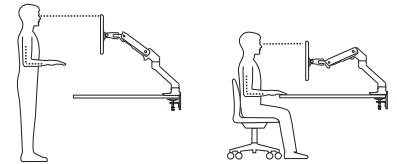
Grommet Mount



HX Desk Monitor Arm With HD Tilt



Weight Capacity
 28 - 42 lbs (12.7-19 kg)
 For displays 6"-12" (152-305mm) deep.
 Recommend >1"(25mm) thick worksurface for minimum vibration.



Range of Motion

