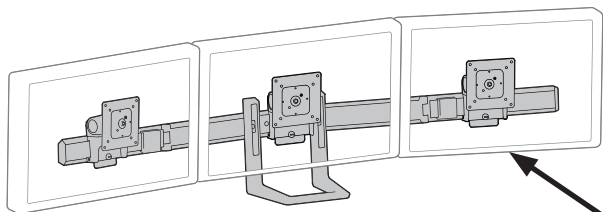
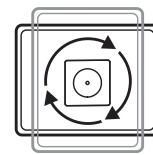
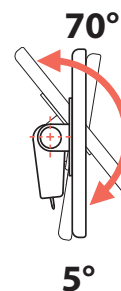
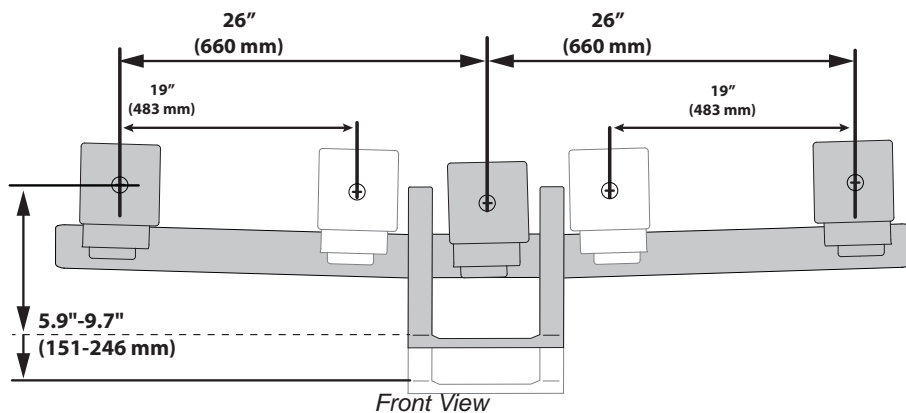


# Dimensional Illustrations Ergotron® HX Triple Monitor Bow Kit

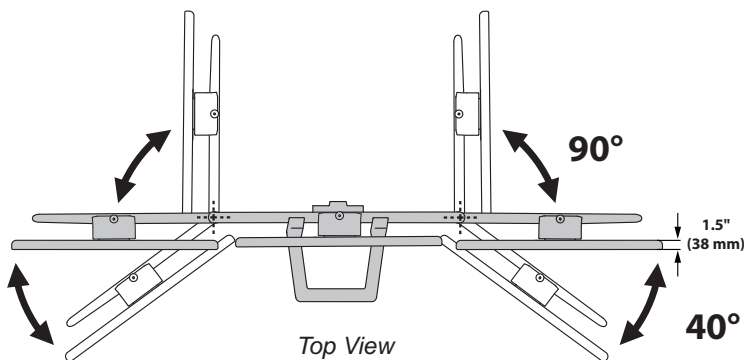
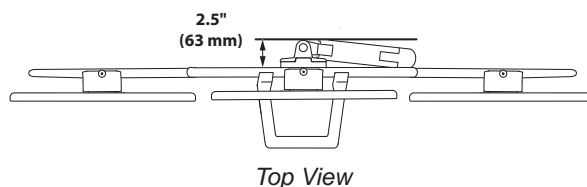
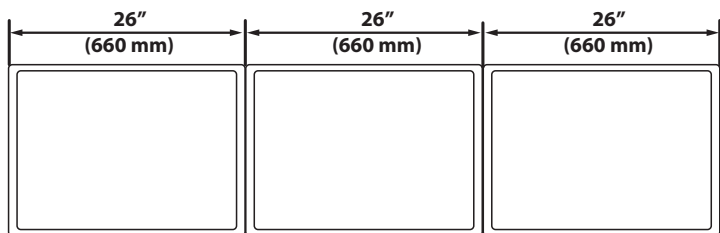


Weight Capacity per monitor:  
2 lbs. - 10 lbs (1 kg - 4.6 kg)



Portrait/Landscape  
Rotation

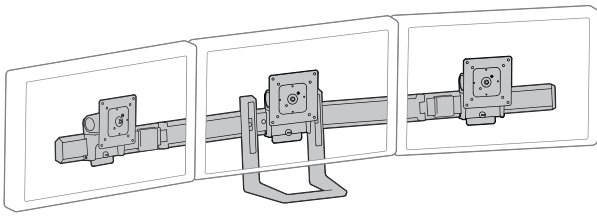
## Max Monitor Size



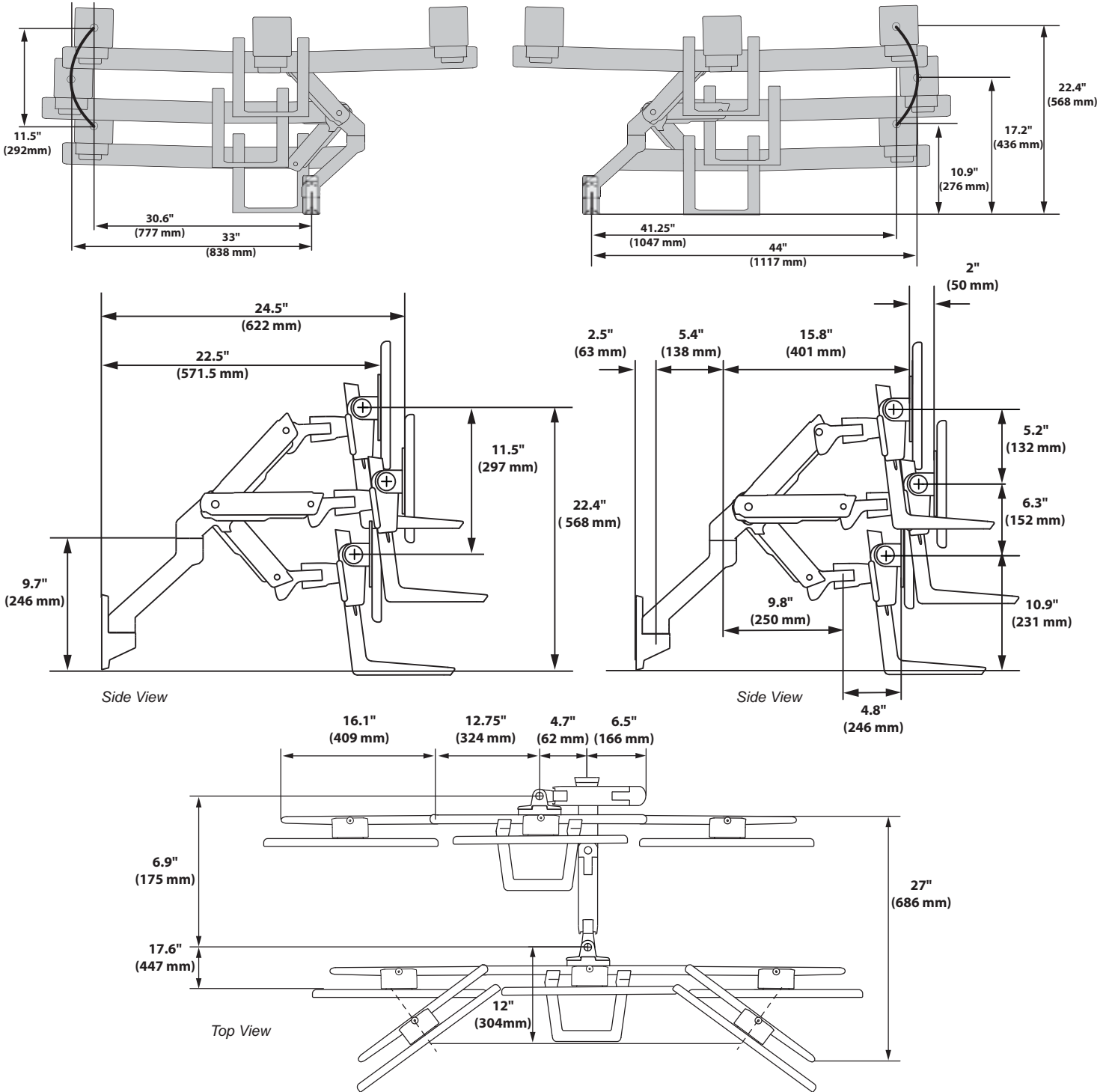
NOTE: The range of motion for the crossbar hinge may decrease for monitors thicker than 1.5" (38 mm).

# Dimensional Illustrations

## Ergotron® HX Triple Monitor Bow Kit

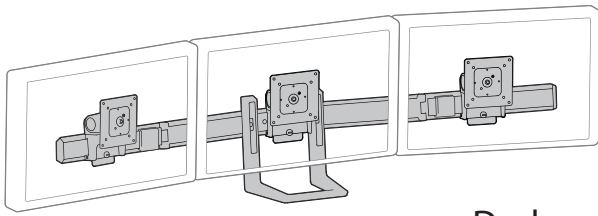


### Wallmount Dimensions



# Dimensional Illustrations

## Ergotron® HX Triple Monitor Bow Kit



### Deskmount Dimensions

