

**DS-D2046LU-Y  
LCD Display**

The DS-D2046LU-Y LCD display uses an industry-level ultra-narrow bezel design, which enables a bezel width of 3.5 mm between neighboring displays. The adopted direct-lit LED backlighting technology helps achieve ultra-high and uniform brightness of 500 cd/m<sup>2</sup> without boundary shadows. The display has abundant interfaces for video inputs, such as DVI, VGA, HDMI, and DP.

- 4K signal input, auto loop up to 30 screens with HDMI interfaces
- Switching between three picture modes: Monitoring, Meeting, and Movie
- Factory calibration for color and brightness uniformity
- Direct-lit LED backlight with uniform brightness and no boundary shadows
- 1920 × 1080 resolution, 178° viewing angle
- Ultra-narrow 3.5 mm bezel design
- Anti-glare, high definition, high brightness, high color gamut, and vivid images with rich colors
- Stable and 24-hour continuous working
- Metal casing for preventing from radiation and magnetic & electric field interference
- Wall-mount and modular brackets available to meet various installation requirements

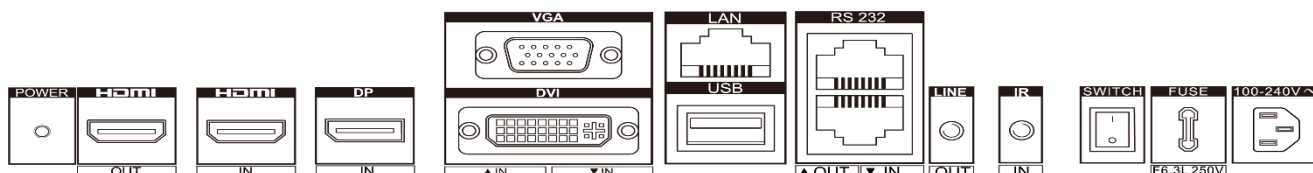
## ▪ Specification

Model		DS-D2046LU-Y
Display	Screen Size	46 inch
	Active Display Area	1018.08 (H) mm × 572.67 (V) mm
	Backlight	Direct-lit LED backlight
	Pixel Pitch	0.53 mm
	Physical Seam	3.5 mm
	Bezel Width	2.3 mm (top/left), 1.2 mm (bottom/right)
	Resolution	1920 × 1080@60 Hz (downward compatible)
	Brightness	500 cd/m <sup>2</sup>
	Viewing Angle	Horizontal 178°, Vertical 178°
	Color Depth	8 bit, 16.7 M
	Contrast Ratio	1200:1
	Response Time	8 ms
	Color Gamut	72% NTSC
	Surface Treatment	Haze 25%, 3H
Interface	Video & Audio Input	VGA × 1, HDMI × 1, DVI × 1, DP × 1, USB × 1
	Video & Audio Output	HDMI × 1
	Control Interface	RS-232 IN × 1, RS-232 OUT × 1
Power	Power Supply	100 to 240 VAC, 50/60 Hz
	Power Consumption	≤ 111 W
	Standby Consumption	≤ 0.5 W
Working Environment	Working Temperature	0 °C to 40 °C (32 °F to 104 °F)
	Working Humidity	10% to 80% RH (non-condensing)
	Storage Temperature	-20 °C to 60 °C (-4 °F to 140 °F)
	Storage Humidity	10% to 80% RH (non-condensing)
General	Casing Material	SECC
	VESA	600 (H) mm × 400 (V) mm
	Product Dimension (W × H × D)	1021.98 mm × 576.57 mm × 72.25 mm (40.24" × 22.7" × 2.84")

Package Dimension (W × H × D)	Carton with two displays: 1214 mm × 783 mm × 414 mm (47.8" × 30.8" × 16.3") Carton with a single display: 1218 mm × 788 mm × 206 mm (48.0" × 31.0" × 8.1")
Net Weight	19.8 ± 0.5 kg (43.65 ± 1.1 lb) for single display
Gross Weight	Carton with two displays: 48.5 ± 0.5 kg (106.92 ± 1.1 lb) Carton with a single display: 24.42 ± 0.5 kg (53.84 ± 1.1 lb)
Packing List	Carton with two displays: LCD display × 2, power cable × 2, network cable × 2, 2-meter HDMI cable × 2, screw × 8, remote control × 1, IR receiver × 1, RS-232 converter × 1, quick start guide (multilingual) × 1, quick start guide (English) × 1 Carton with a single display: LCD display × 1, power cable × 1, network cable × 1, 2-meter HDMI cable × 1, screw × 4, remote control × 1, IR receiver × 1, RS-232 converter × 1, quick start guide (multilingual) × 1, quick start guide (English) × 1

## Physical Interface

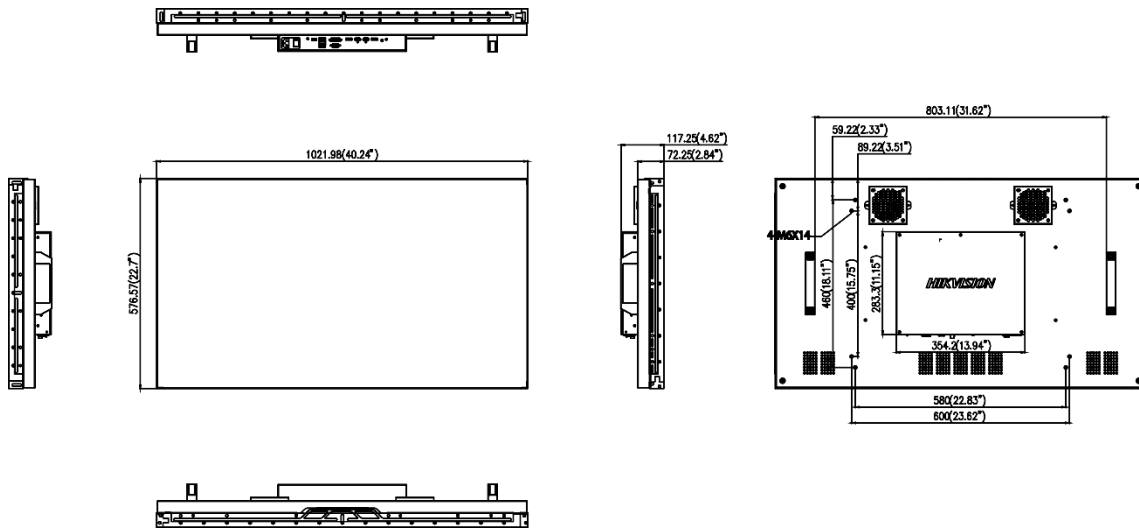
Interface	Description	Interface	Description
POWER	Power indicator	DVI IN	DVI-I input interface for digital signals
LINE OUT	Audio output interface for analog signals	RS-232 OUT	Serial loopback output interface
HDMI OUT	HDMI output interface for digital signals	RS-232 IN	Serial input interface
HDMI IN	HDMI input interface for digital signals	USB	USB interface
DP IN	DP input interface for digital signals	IR	IR input interface
VGA IN	VGA input interface for analog signals	SWITCH	Switch button



## Available Model

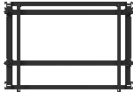
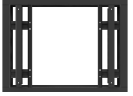

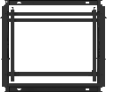
DS-D2046LU-Y

▪ **Dimension**



▪ **Accessory**

▪ **Optional**

DS-DN4655W/U Wall-mounted Bracket	DS-DN46C2M/F Modular Bracket(Frame)	DS-DN46C2M/B Modular Bracket(Base)	DS-DN4601W Wall-mounted Bracket
			

**Headquarters**

No.555 Qianmo Road, Binjiang District,  
Hangzhou 310051, China  
T +86-571-8807-5998  
www.hikvision.com



Follow us on social media to get the latest product and solution information.

