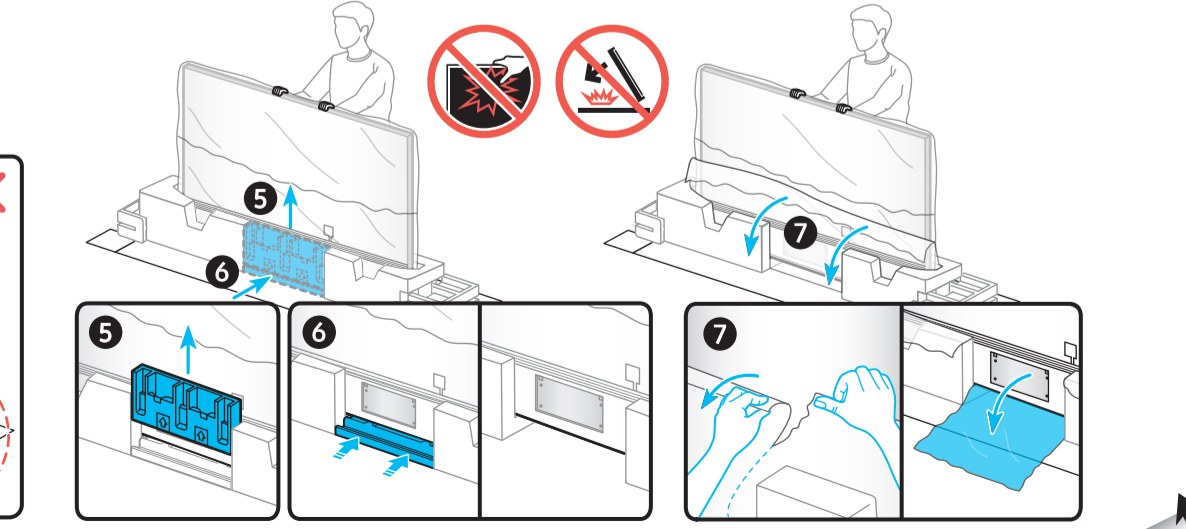
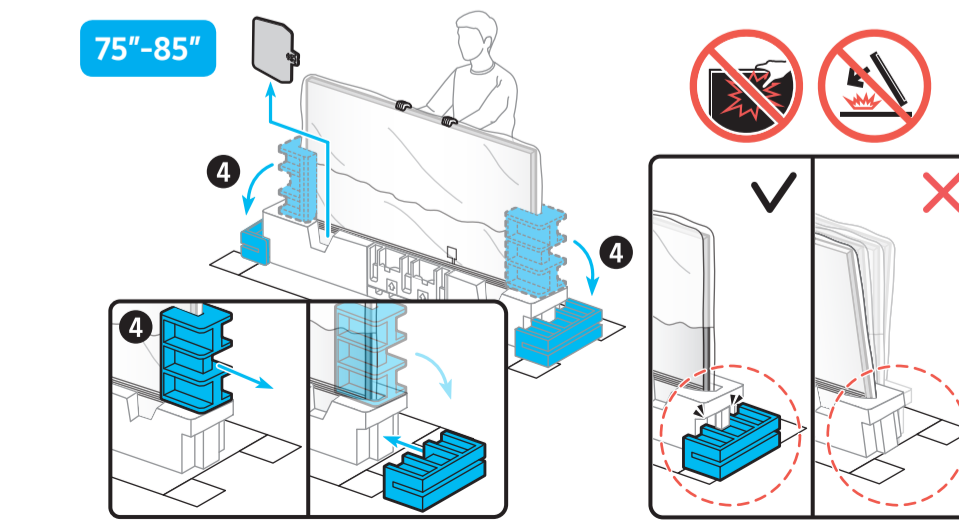
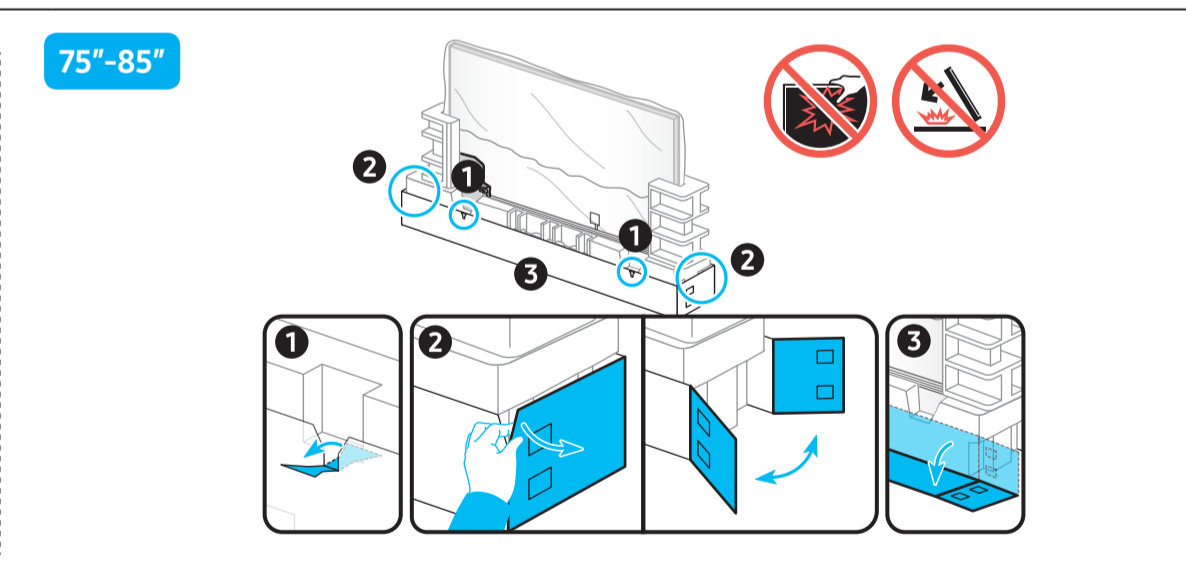
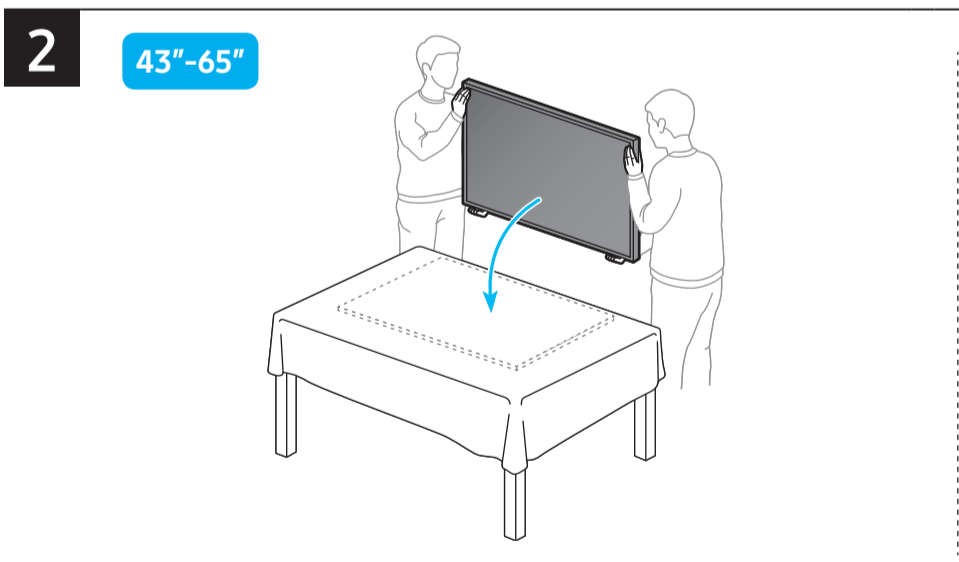
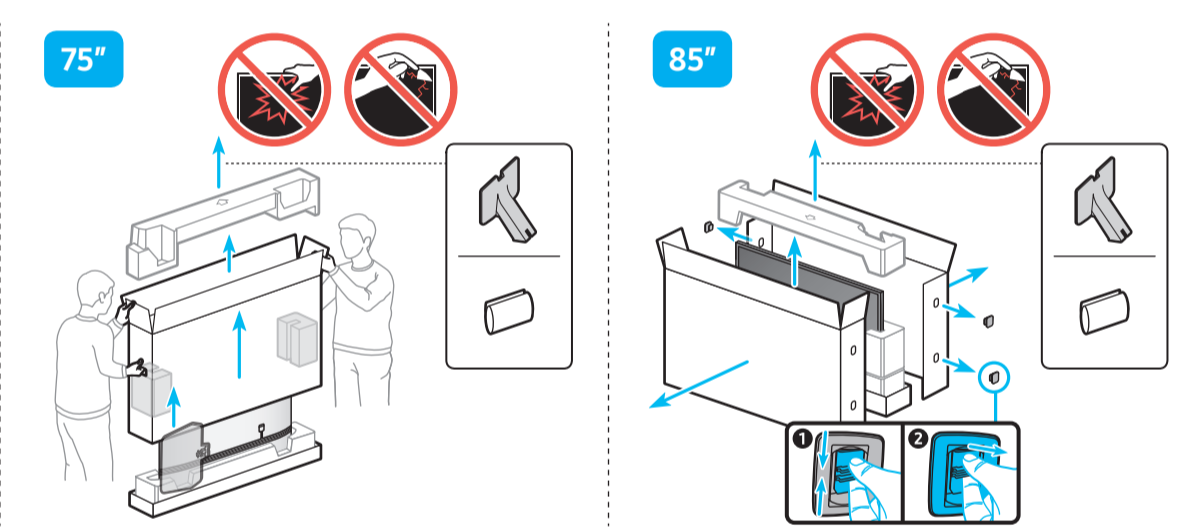
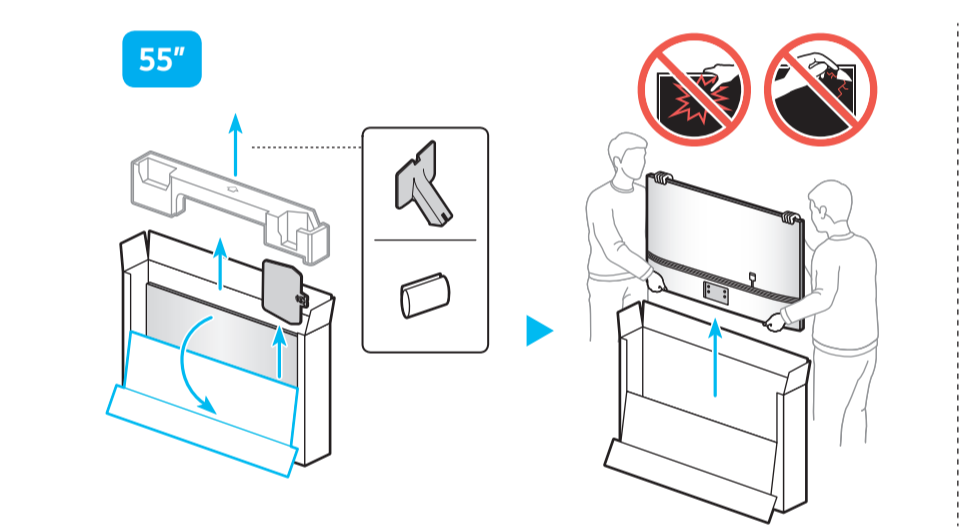
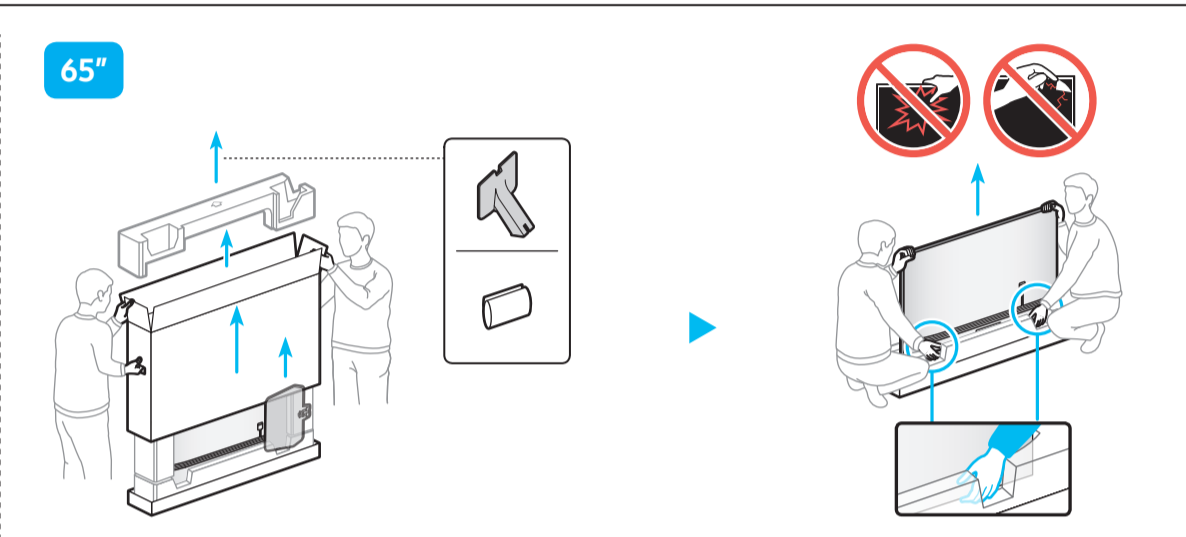
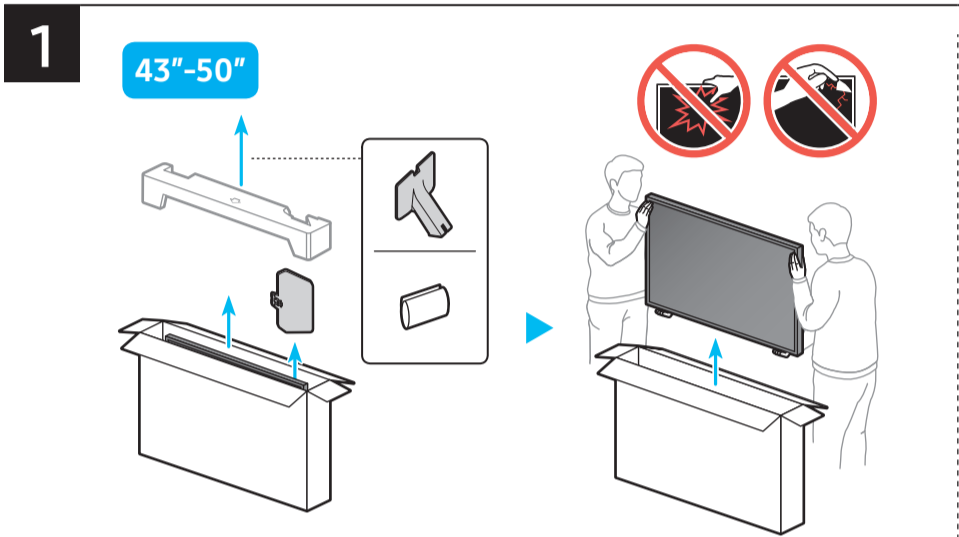
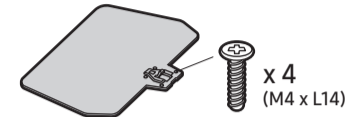
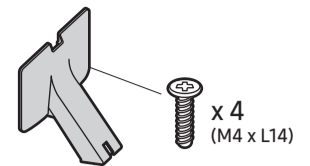
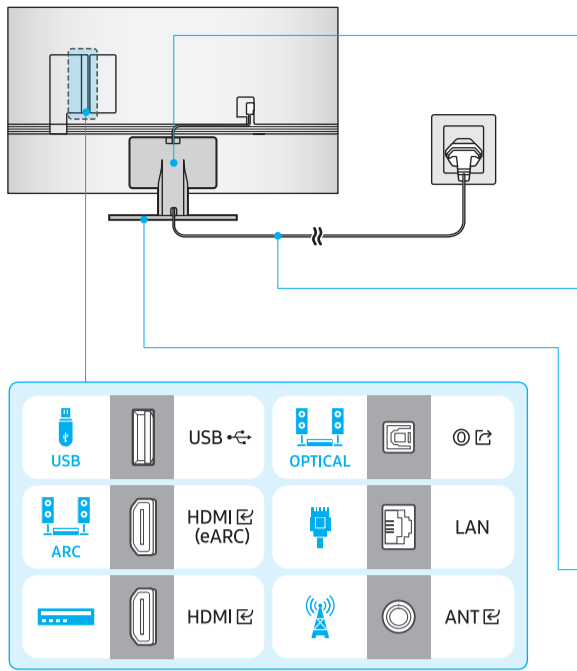
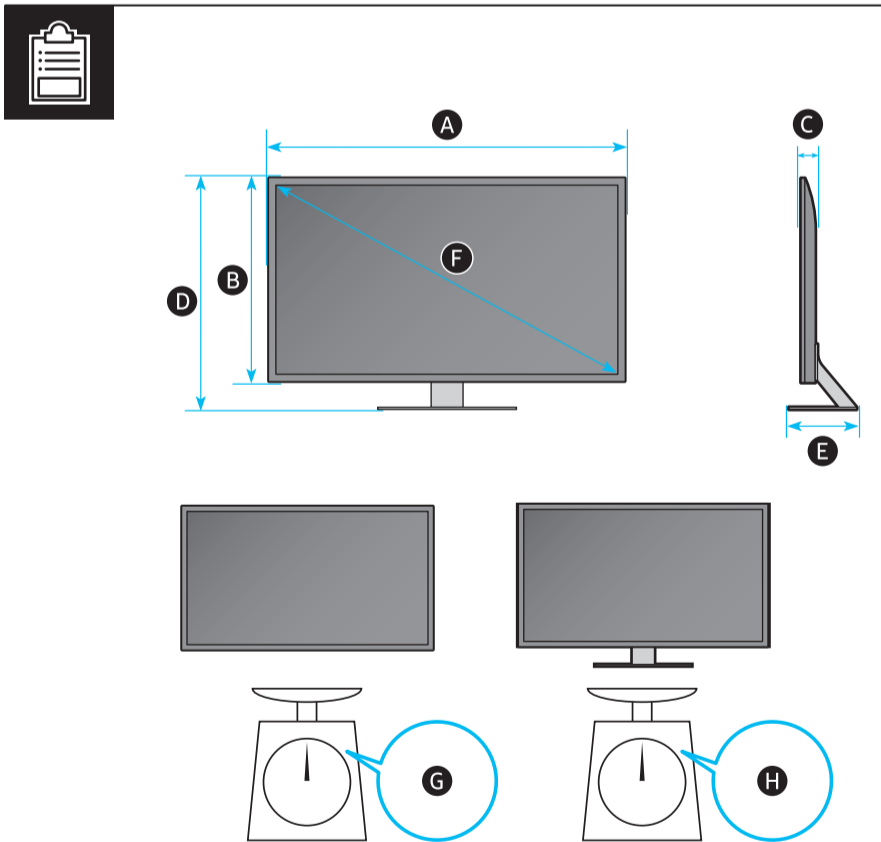
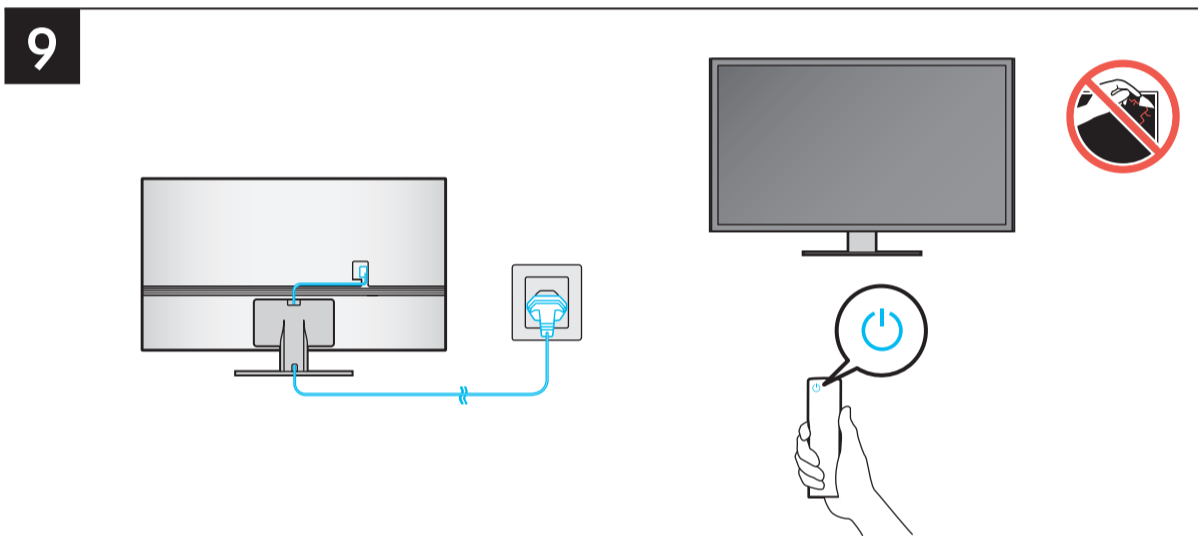
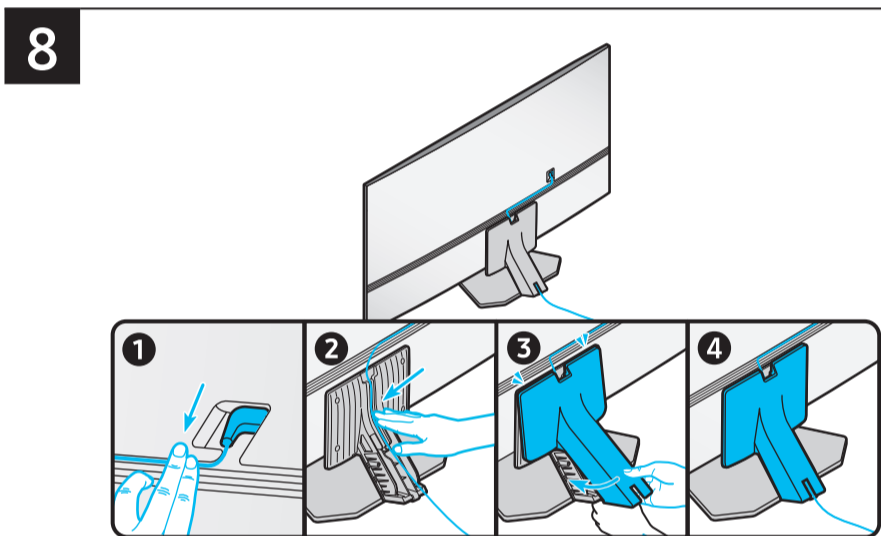
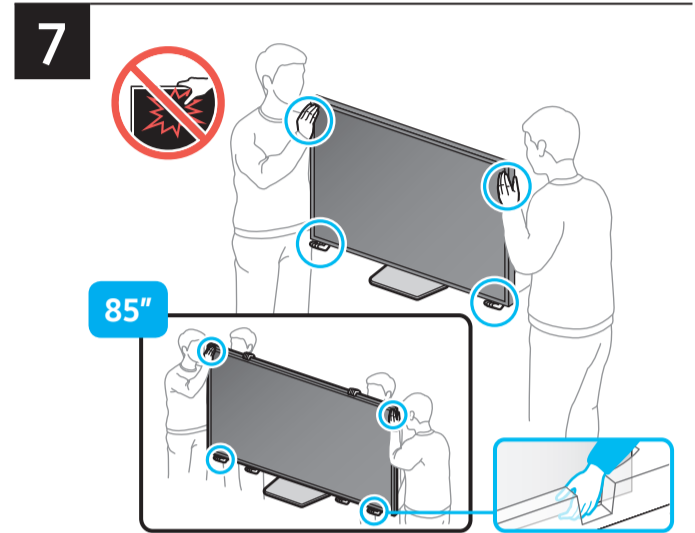
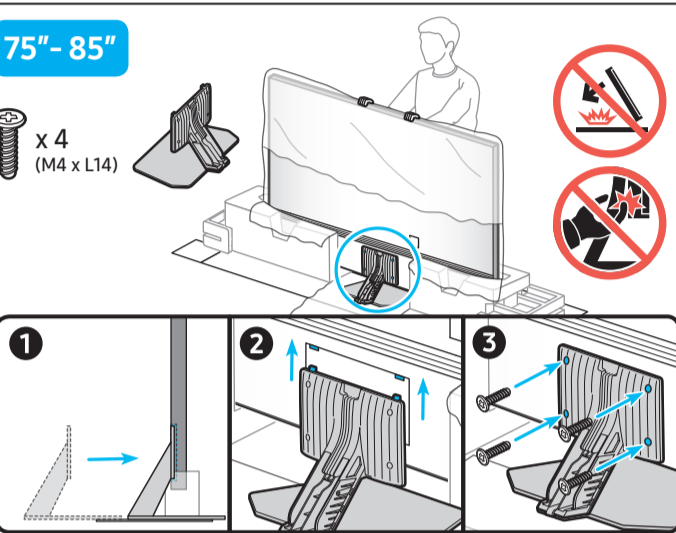
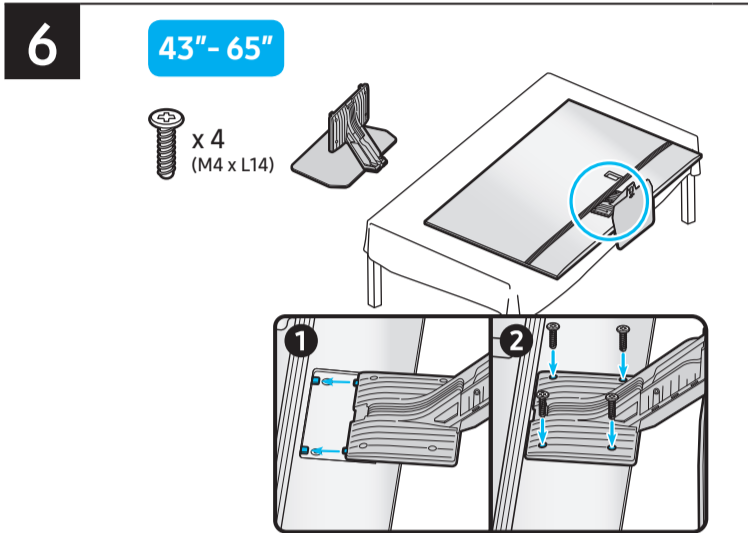
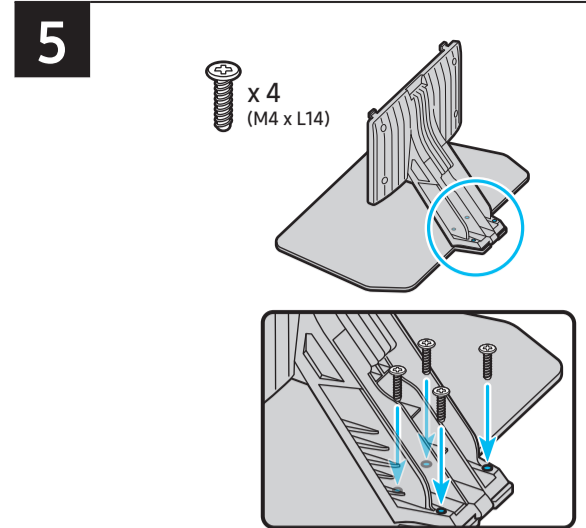
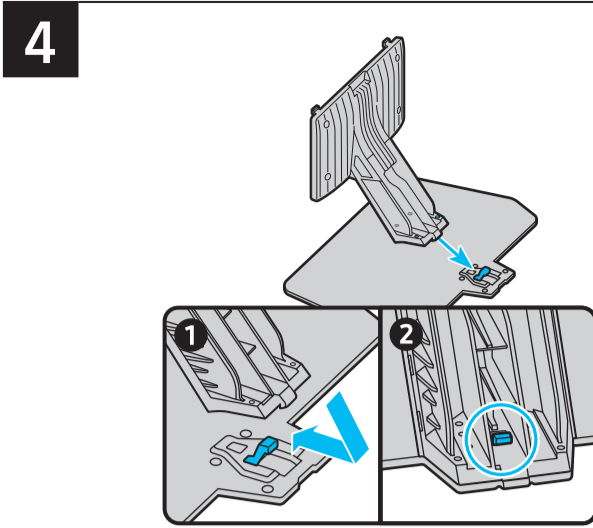
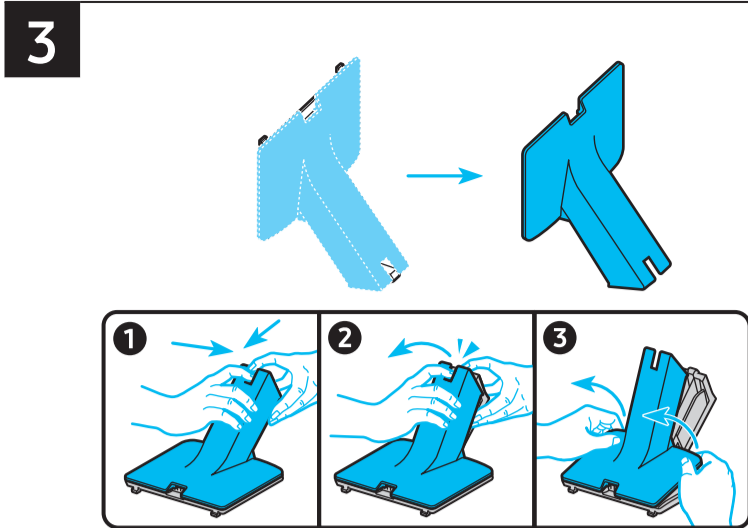


# SAMSUNG

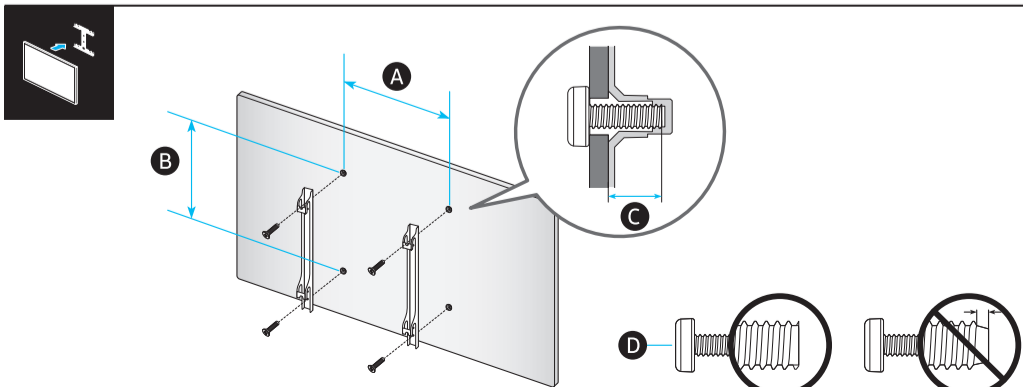
Unpacking and Installation Guide  
 Guide de déballage et d'installation  
 Guía de desembalaje e instalación  
 Manual de desempacotamento e instalação  
 Auspacken und Installationsanleitung  
 Guida al disimballaggio e all'installazione





	A	B	C	D	E	F	G	H
GQ43QN9*C	37.8 inches (960.8 mm)	22.0 inches (558.9 mm)	1.1 inches (26.9 mm)	24.4 inches (619.9 mm)	8.7 inches (220.0 mm)	42.5 inches (108 cm)	20.7 lbs (9.4 kg)	29.5 lbs (13.4 kg)
TQ43QN9*C								
QE43QN9*C								
QA43QN9*C								
QN43QN9*C								
GQ50QN9*C	43.8 inches (1113.6 mm)	25.4 inches (644.1 mm)	1.1 inches (26.9 mm)	27.8 inches (705.4 mm)	8.7 inches (220.0 mm)	49.5 inches (125 cm)	29.8 lbs (13.5 kg)	38.8 lbs (17.6 kg)
TQ50QN9*C								
QE50QN9*C								
QA50QN9*C								
QN50QN9*C								
GQ55QN9*C	48.3 inches (1227.4 mm)	27.8 inches (705.6 mm)	1.0 inches (25.9 mm)	30.2 inches (768.2 mm)	9.3 inches (237.0 mm)	54.6 inches (138 cm)	39.0 lbs (17.7 kg)	45.4 lbs (20.6 kg)
TQ55QN9*C								
QE55QN9*C								
QA55QN9*C								
QN55QN9*C								
GQ65QN9*C	56.9 inches (1446.3 mm)	32.6 inches (828.7 mm)	1.0 inches (25.9 mm)	35.1 inches (891.3 mm)	10.7 inches (270.6 mm)	64.5 inches (163 cm)	53.4 lbs (24.2 kg)	60.6 lbs (27.5 kg)
TQ65QN9*C								
QE65QN9*C								
QA65QN9*C								
QN65QN9*C								
GQ75QN9*C	65.7 inches (1670.0 mm)	37.7 inches (957.4 mm)	1.1 inches (26.7 mm)	40.0 inches (1017.2 mm)	11.9 inches (301.2 mm)	74.5 inches (189 cm)	75.2 lbs (34.1 kg)	87.5 lbs (39.7 kg)
TQ75QN9*C								
QE75QN9*C								
QA75QN9*C								
QN75QN9*C								
GQ85QN9*C	74.5 inches (1892.2 mm)	42.6 inches (1081.9 mm)	1.1 inches (27.2 mm)	45.0 inches (1143.0 mm)	12.6 inches (321.3 mm)	84.5 inches (214 cm)	96.0 lbs (43.5 kg)	110.0 lbs (49.9 kg)
TQ85QN9*C								
QE85QN9*C								
QA85QN9*C								
QN85QN9*C								

\*: 0-9, A-Z



	VESA A x B (mm)	C (mm)	D x 4
43QN9*C	200 x 200	11-13	M8
50QN9*C			
55QN9*C			
65QN9*C	400 x 300		
75QN9*C	400 x 400		
85QN9*C	600 x 400		

\*: 0-9, A-Z