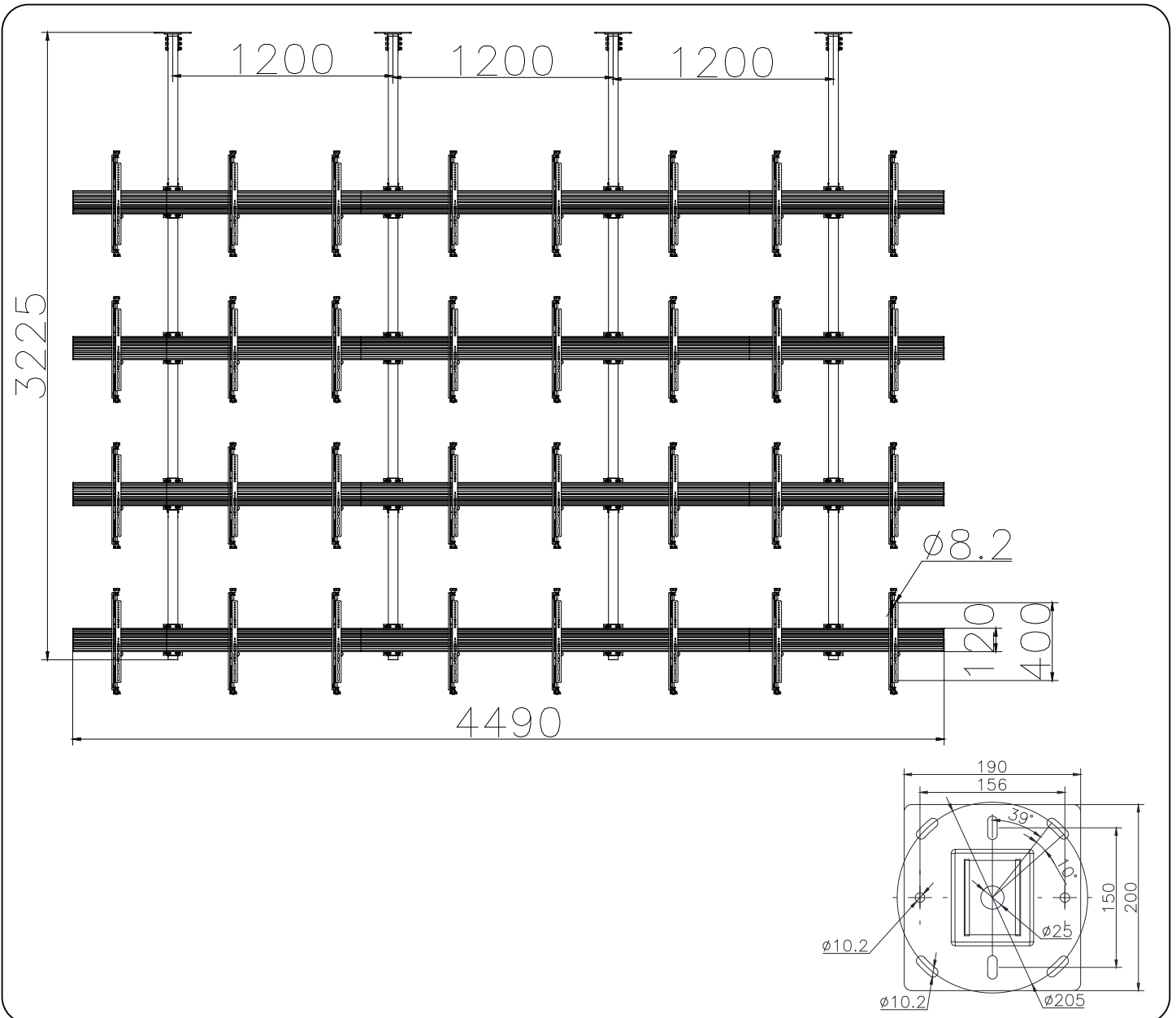
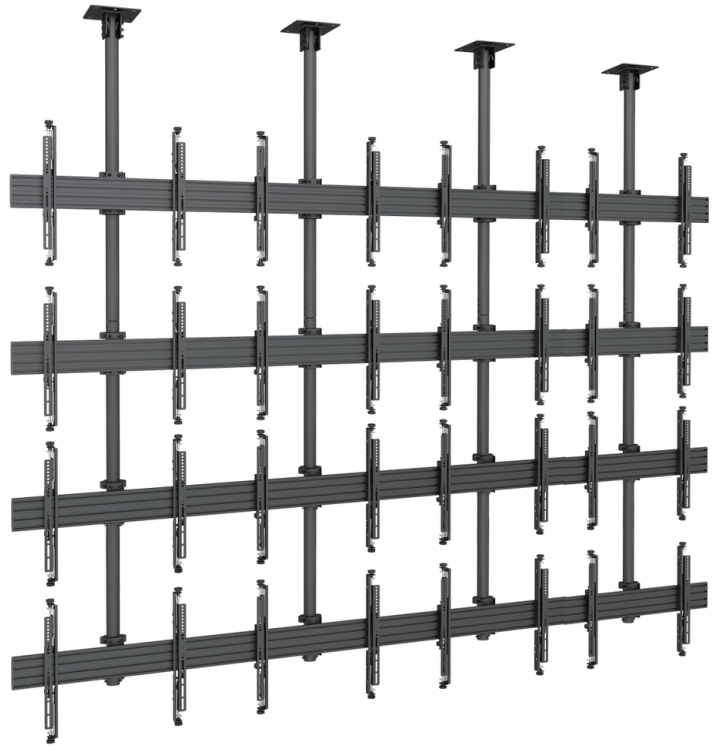














MBC4x4U-M400









COMPONENT CHECKLIST

M5X15  X4 A1	M6X15  X4 A2	M8X15  X4 A3	Ø16XØ6.2X1.5  X4 A4
--	--	--	---

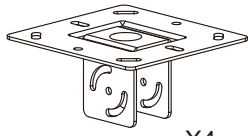
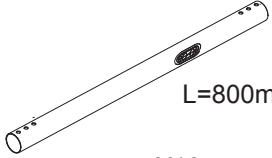

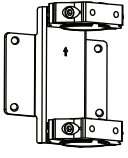
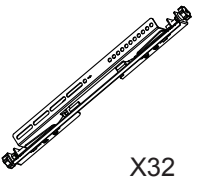
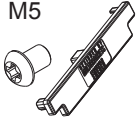
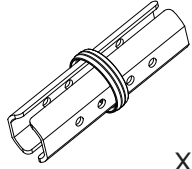
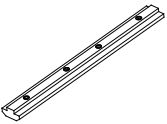
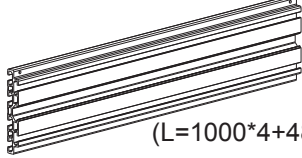

X16

Open-wrench  X1 B1	5mm  X1 B2	6mm  X1 B3	M8x12  X68 B4	Ø16XØ8.2X1.5  X68 B5	M8  X68 B6
--	--	---	---	--	--

X1

M8x70  X3 C1	Ø16XØ8.2X1.5  X12 C2	M8x60  X1 C3	Lag bolt  X4 C4	Lag bolt  X6 C5	Anchor  X6 C6
--	--	--	---	---	--

X4

 X4 AA	 L=800mm X16 DD	 X4 EE	 X16 GG	 X32 MM
 M5 X4 HH	 X12 JJ	 X64 KK	 (L=1000*4+480)*4 X20 LL	 X32 NN