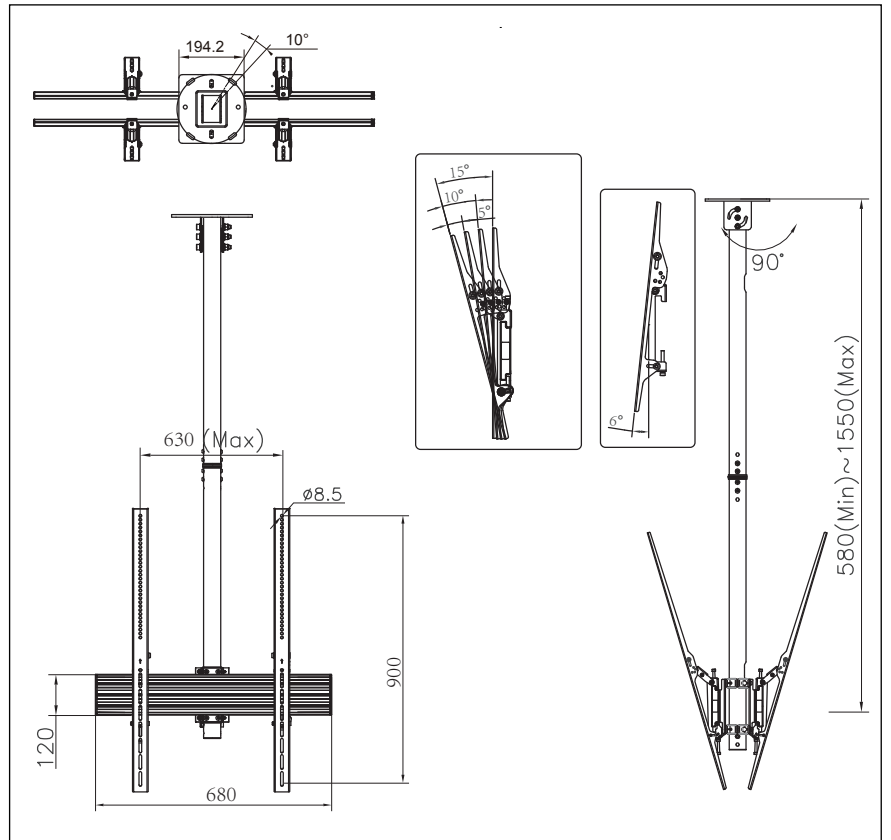
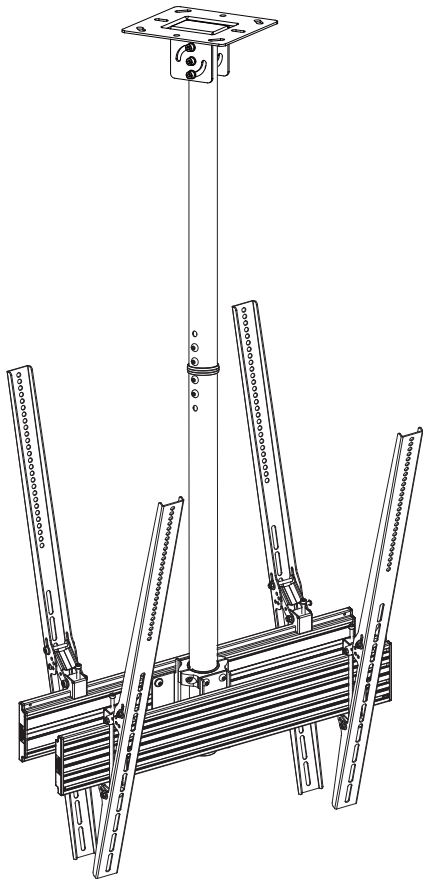




Technical Summary

MBC1Ux2PHD

EAN: 7350073736256



COMPONENT CHECKLIST

M5X15 X4 A1	M6X15 X4 A2	M8X15 X4 A3	$\phi 16X\phi 6.2X1.5$ X4 A4
-------------------	-------------------	-------------------	------------------------------------

X2

Open-wrench X1 B1	5mm X1 B2	6mm X1 B3
-------------------------	-----------------	-----------------

X1

M8x12 X4 B4	$\phi 16X\phi 8.2X1.5$ X4 B5	M8 X4 B6
-------------------	------------------------------------	----------------

X2

M8x70 X3 C1	$\phi 16X\phi 8.2X1.5$ X12 C2	M8x60 X1 C3	Lag bolt X4 C4	Lag bolt X6 C5	Anchor X6 C6
-------------------	-------------------------------------	-------------------	----------------------	----------------------	--------------------

X1

X1 AA	X2 DD	X1 EE	X1 GG
----------	----------	----------	----------

X4 HH	X1 JJ	X4 KK	X2 LL
----------	----------	----------	----------