

49" Outdoor Freestanding Digital Posters



Stunning outdoor totems; perfect for any weather conditions

Direct Sunlight Readable

Thanks to their commercial grade ultra-high brightness panels (2,500cd/m²), these displays are up to 10 times brighter than a domestic TV and so are easily readable even in direct sunlight.



2,500cd/m²

Vandal Proof

With a 2mm thick mild steel enclosure and 5mm thermally-toughened glass front, these IK10 rated displays are designed to withstand damage that may occur in public spaces. To avoid tampering, controls and inputs are hidden and cannot be accessed by passers-by.

IK10

Impact Resistance
10 Protected against 20 joules of impact



2mm Steel Enclosure
5mm Tough Glass



Weatherproof



Advanced Temperature Control System



Ambient Light Sensor



Internal Locker



Protective UV Film



24/7 Usage



Plug and Play



Vandal Proof Wi-Fi Aerial



Network Upgrade



Customisation Available

Other Features

Weatherproof

Designed to withstand the elements, these displays are protected against all wet weather conditions and airborne dust particles by their robust IP65 rated enclosure. They also feature a waterproof coating on all internal circuit boards and waterproof over-moulded AV connectors.

IP65

- Dust Resistance**
6 Protected against dust that may harm equipment.
- Water Resistance**
5 Protected against water spray from all directions.



Easy Maintenance

These displays use hydraulic cylinders to allow easy front access to the internal components, ensuring that maintenance is simple and straightforward. This is also how you access the displays internal locker where there is space to fit a PC or media player if you wanted to run the screen from an external source.



Ultimate UV Protection

The front glass of the display utilises a special UV treatment that reduces the internal heat of the enclosure by up to 71%; reducing the number of cooling fans needed and increasing the life of your display.



Advanced Temperature Control System

To maximise the lifespan of the display, the internal airflow system keeps the screen running at the optimal temperature regardless of the external conditions. Built-in air conditioning can be tailored to allow the display to work in any climate.



Anti-Reflective Glass

The front glass face is specially treated to help diffuse direct sunlight, making the display easily readable even in bright weather conditions.



Plug and Play

Plug and Play is the most straightforward way to upload content to the screen. Simply load images and videos onto a USB, insert into the display, wait for your content to copy over and then remove. Your images and videos will now play in a continuous loop.



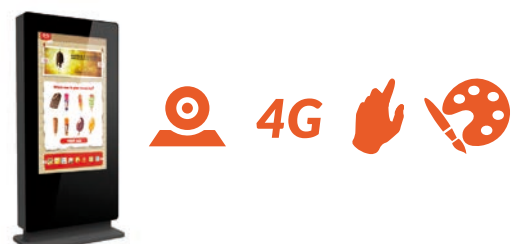
Optional Network Upgrade

For a small charge, you can upgrade your screen to be networked. This will allow you to connect your screen via Wi-Fi, LAN or 4G, and then remotely update it over the internet.



Customisation Available

Bespoke displays can be manufactured to order should you require a non-standard solution, to incorporate a camera or touch screen upgrade for example. We can also modify existing models to add a 4G module for mobile connectivity or a vinyl logo/wrap.



Key Features



2,500 CD/M²
SUNLIGHT READABLE



IP65 RATED



IK10 RATED



ANTI-REFLECTIVE GLASS



2MM THICK
STEEL ENCLOSURE



REMOVABLE BASE



PROTECTIVE UV FILM



ANDROID MEDIA PLAYER



WEATHERPROOF



AMBIENT LIGHT SENSOR



EASY MAINTENANCE



4G

CUSTOMISATION
AVAILABLE

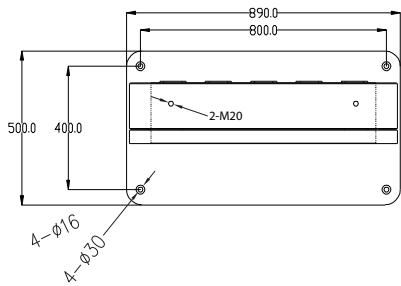
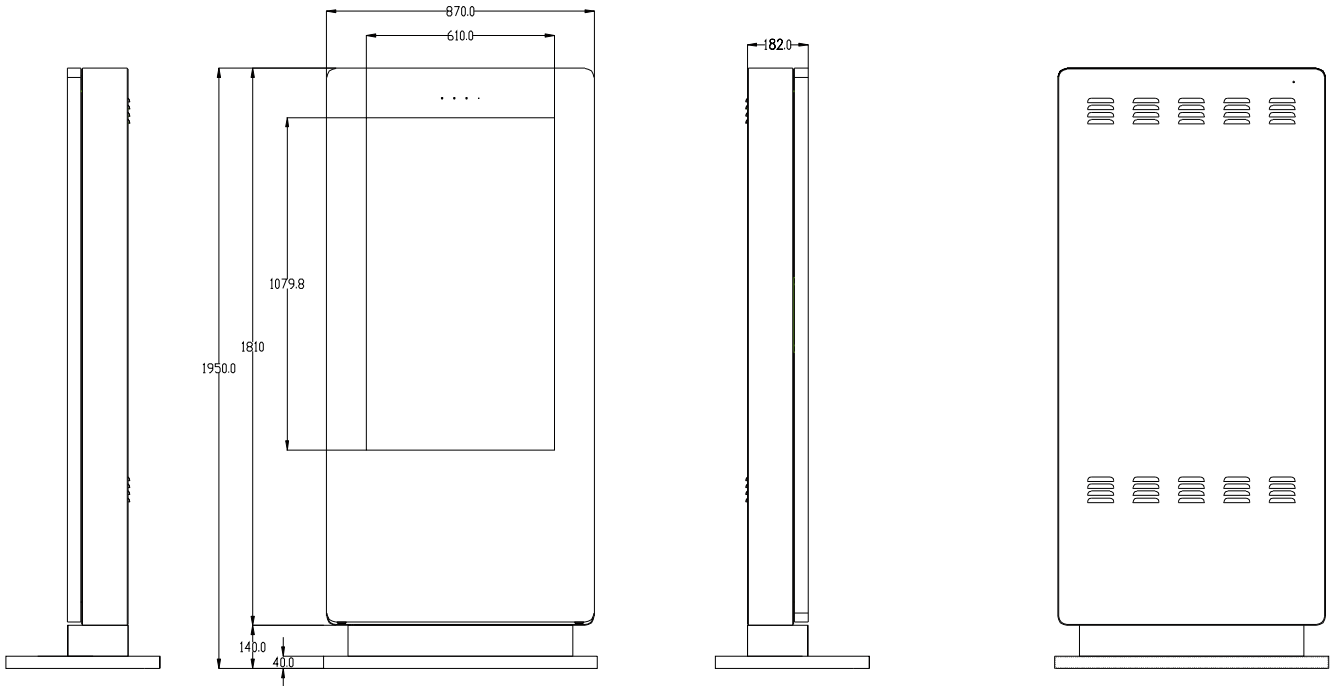
Specification Table

		49 Inch	
Panel	Resolution	1080x1920	
	Display Area (mm)	1079.8x610	
	Aspect Ratio	16:9	
	Brightness (cd/m ²)	2,500	
	Colour	1.06 B	
	Viewing Angle	178°	
	Contrast Ratio	8000:1	
AV Inputs	Video	HDMI, VGA	
Power	Power Consumption (W)	300	
	Input Voltage	AC110~240V (50Hz~60Hz)	
Mechanical	Unit Size (HxWxD mm)	1950x870x182	
	Package Size (HxWxD mm)	2070x1050x400	
	Footprint (WxD mm)	890x500	
	Net Weight (kg)	166	
	Gross Weight (kg)	196	
	IK Rating	IK10	
Environmental	Operating Temperature:	-20 °C to 50 °C	
	Operating Humidity:	10% - 80%	
	Storage Temperature:	-30°C - 60°C	
	Storage Humidity:	5% - 90%	
	Enclosure Protection	IP65	
Media Formats	Video (MPG, AVI, MP4, RM, RMVB, TS), Audio (MP3, WMA), Image (JPG, GIF, BMP, PNG)		
Media Resolution	1080x1920		
Internal Memory	6GB		
Computer	CPU	Quad-Core Cortex-A17@1.61GHz	
	GPU	Mali-T760 MP4 @600MHz	
	RAM	2GB DDR3	
	Internal Storage	8GB NAND	
	USB	USB2.0 HOST (x2)	
	LAN	10/100M Ethernet	
	Wi-Fi	802.11b/g/n/ac	
	OS	Android 5.1.1	
	Graphic Engine	OpenGL ES 1.1/2.0/3.0/3.1, OpenCL 1.1, Renderscript, Direct3D 11.1	
	Accessories	Included	AC Power Cable, Remote Control
Optional		Touch Screen Upgrade, Network Upgrade, Camera	
Warranty	Warranty Period	3 Year Warranty	
	Technical Support	Lifetime	

Errors and omissions excepted



Technical Drawing



Note: The $\phi 30$ holes are for access, we recommend using M10 anchor bolts that will fit into the $\phi 16$ holes.

Why Choose Our Commercial Display Solutions?



Lifetime Technical Support

From the moment you receive your product, throughout the duration of your warranty and even after your warranty has expired we are here to support you. If you require any assistance setting up or using your product, or have any problems at all, we can provide free technical support via telephone and email.



On-site Support and Maintenance*

If needed, we can provide an installation service for any of our products. We can also set up service-level agreements for larger projects that require maintenance contracts.



Extended Warranty*

All of our commercial display products come with a 3 year commercial warranty as standard but if you want to extend this you can upgrade this to cover a 5 year period at point of purchase.



Training

As well as providing free remote CMS training sessions and webinars we can also visit you to deliver bespoke training for our software and hardware*.



Advanced Replacements†

Should your display suffer from any kind of hardware failure during the warranty period we will send you an advanced replacement and arrange for your old display to be collected, free of charge. This ensures no downtime where you are without a screen.



Custom Product Testing & Configuration

If you need us to test third party software or a website, or configure your screen in a particular way before it is dispatched (e.g. in a particular orientation or network mode), we can do so to make your life easier.



3D Rendering

Want to know how a particular screen will look once installed? Send us a photo of the location and we will create a 3D rendering of any screen in situ to help you to visualise how amazing it will look.



Logistics Support

We hold more stock in our UK warehouse than any other manufacturer so we can help you meet tight deadlines. For last minute orders we can also offer special express or morning delivery options*. We also carry out UK based quality control checks on every display before it leaves our warehouse.



Project Support

If you need to loan a sample unit to test we'd be more than happy to arrange this. We can also provide a rental service for temporary projects*.



Customisation*

Your display can be customised to suit your requirements by adding your logo or printed graphics or even tailoring the colour of a display. We can also carry out hardware modifications to existing products or manufacture bespoke solutions for special projects.



Extras*

As well as being able to provide accessories and add-ons, such as extra remote controls, NUC PCs and video wall controllers, we can also supply custom made flight cases which are great if a display needs to be moved safely from place to place.

†UK mainland only

*These particular services may incur additional charges