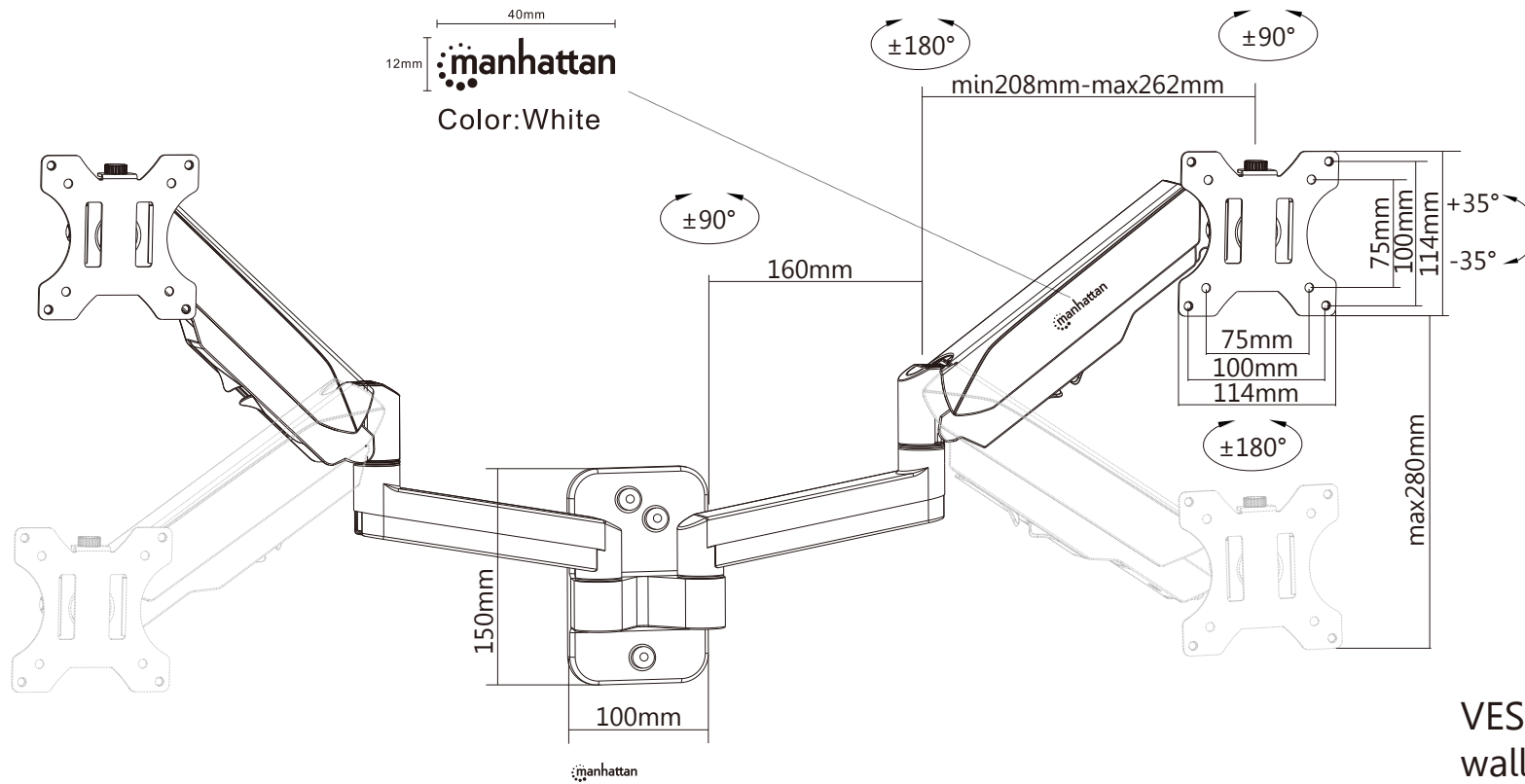


WALL PLATE	3.5mm
VESA PLATE	1.8mm
ARM	2.0mm



VESA thickness: 1.8mm
 wall thickness: 3.5mm
 arm thickness: 2.0mm

THESE DRAWINGS AND SPECIFICATIONS ARE THE PROPERTY OF INTRACOM Asia Co.,Ltd. AND SHALL NOT BE REPRODUCED COPIED OR USED IN ANY MANNER WITHOUT THE PRIOR WRITTEN CONSENT OF INTRACOM Asia Co.,Ltd.

UNLESS OTHERWISE SPECIFIED: DIMENSIONS ARE IN MILLIMETERS ANGULAR TOLERANCE: ±1°

	TOLERANCE (MM)
Mounting Profile	± 5mm
Product Size	± 2mm
VESA	± 1mm

		安達康股份有限公司 INTRACOM Asia Co.,LTD.			
TITLE: MH GasSpring 2LCDWallMount2h, 17-32", Bk		APPD		VID	V101824
CUSTOMER:		Check	WHJ		
CUSTOMER P/N:		Drawer	HSJ	Date	2018.01.22
ICT P/N: 461627		Unit	mm	Projection	☞
DWG.NO:		Scale	1:1	Size	A4
		Sheet	1 of	REV.	C