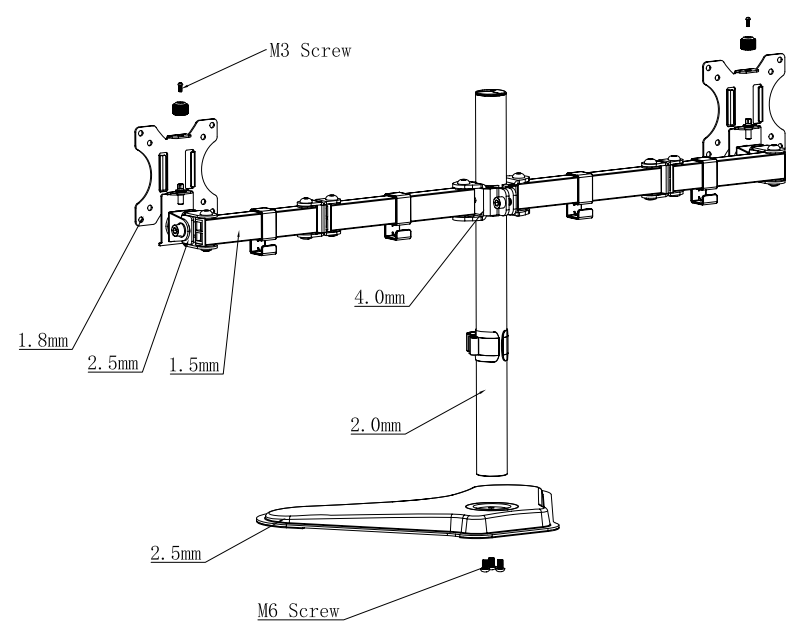
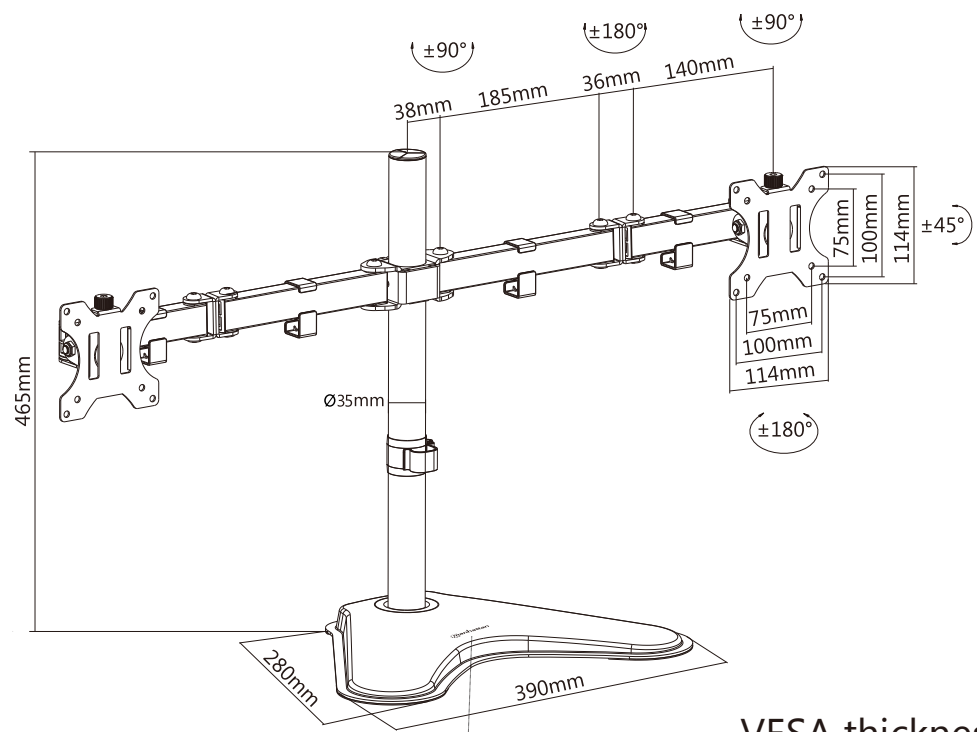


VESA PLATE	1.8mm
ARM	1.5mm



VESA thickness: 1.8mm
 arm thickness: 1.5mm
 pole thickness: 2.0mm



THESE DRAWINGS AND SPECIFICATIONS ARE THE PROPERTY OF INTRACOM Asia Co.,Ltd. AND SHALL NOT BE REPRODUCED COPIED OR USED IN ANY MANNER WITHOUT THE PRIOR WRITTEN CONSENT OF INTRACOM Asia Co.,Ltd.

UNLESS OTHERWISE SPECIFIED: DIMENSIONS ARE IN MILLIMETERS ANGULAR TOLERANCE: ±1°

	TOLERANCE (MM)
Mounting Profile	± 5mm
Product Size	± 2mm
VESA	± 1mm

		安達康股份有限公司 INTRACOM Asia Co.,LTD.			
CUSTOMER:		Check	WHJ		
CUSTOMER P/N:		Drawer	HSJ	Date	2018.01.15
ICT P/N: 461559	Scale	1:1	Size	A4	
DWG.NO:	Sheet	1 of	REV.	C	