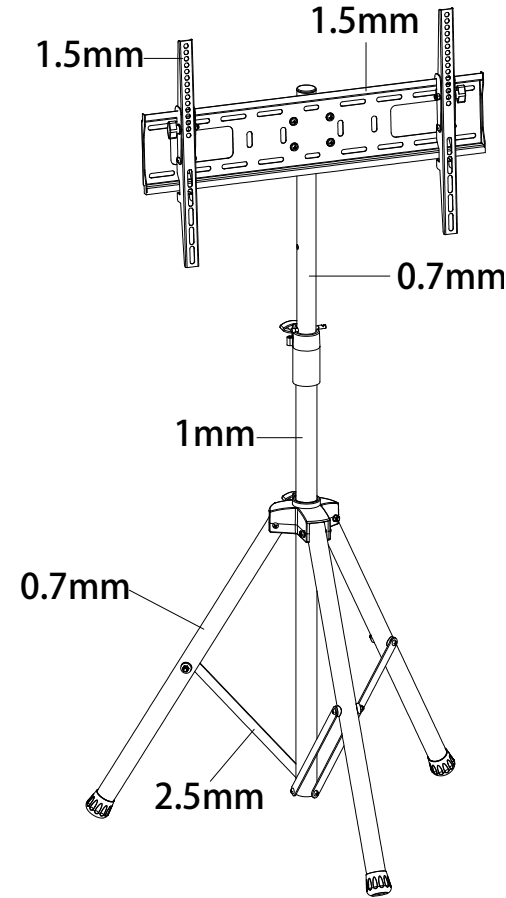
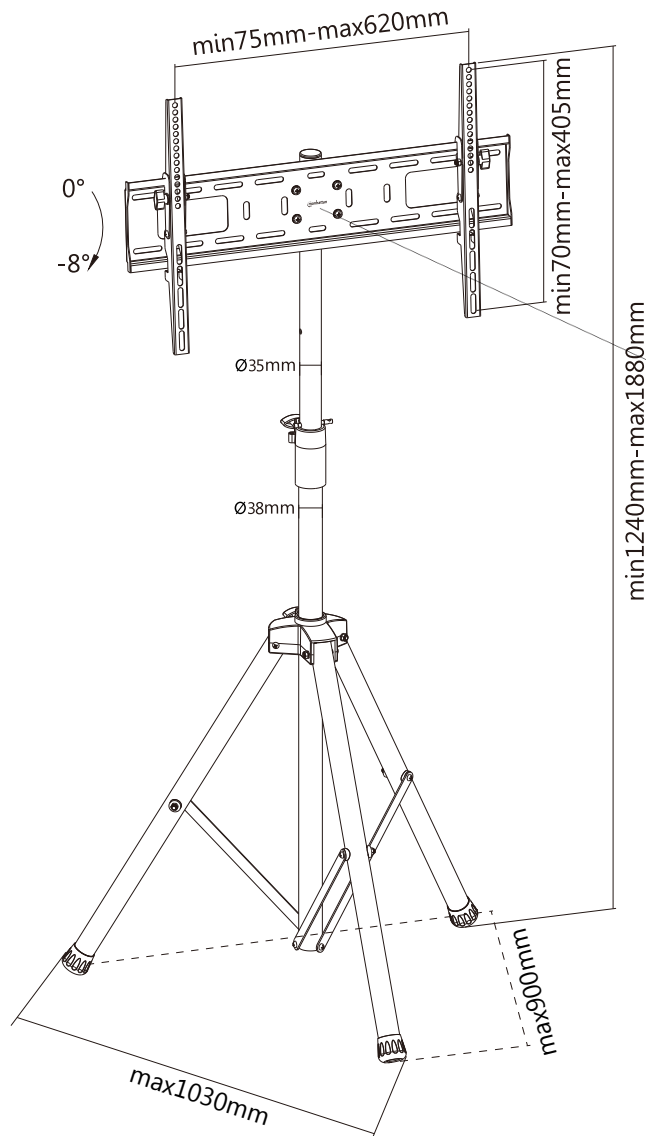


WALL PLATE	1.5mm
ARM	1.5mm



wall thickness: 1.5mm
arm thickness: 1.5mm
pole thickness: 0.7mm

THESE DRAWINGS AND SPECIFICATIONS ARE THE PROPERTY OF INTRACOM Asia Co.,Ltd. AND SHALL NOT BE REPRODUCED COPIED OR USED IN ANY MANNER WITHOUT THE PRIOR WRITTEN CONSENT OF INTRACOM Asia Co.,Ltd.

UNLESS OTHERWISE SPECIFIED: DIMENSIONS ARE IN MILLIMETERS ANGULAR TOLERANCE: ±1°

	TOLERANCE (MM)
Mounting Profile	± 5mm
Product Size	± 2mm
VESA	± 1mm

		安達康股份有限公司 INTRACOM Asia Co.,LTD.			
		TITLE:	APPD	VID	V101824
CUSTOMER:		Check	WHJ		
CUSTOMER P/N:		Drawer	HSJ	Date	2018.01.15
ICT P/N: 461412		Unit	mm	Projection	☞
DWG.NO:		Scale	1:1	Size	A4
		Sheet	1 of	REV.	C