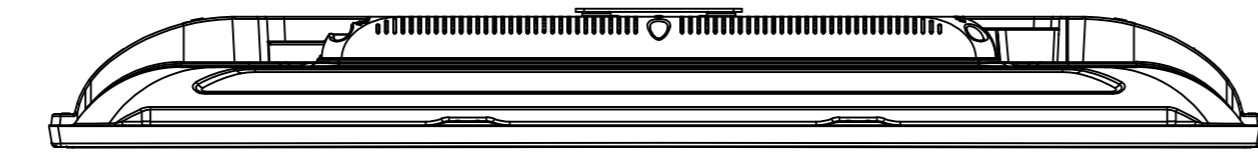
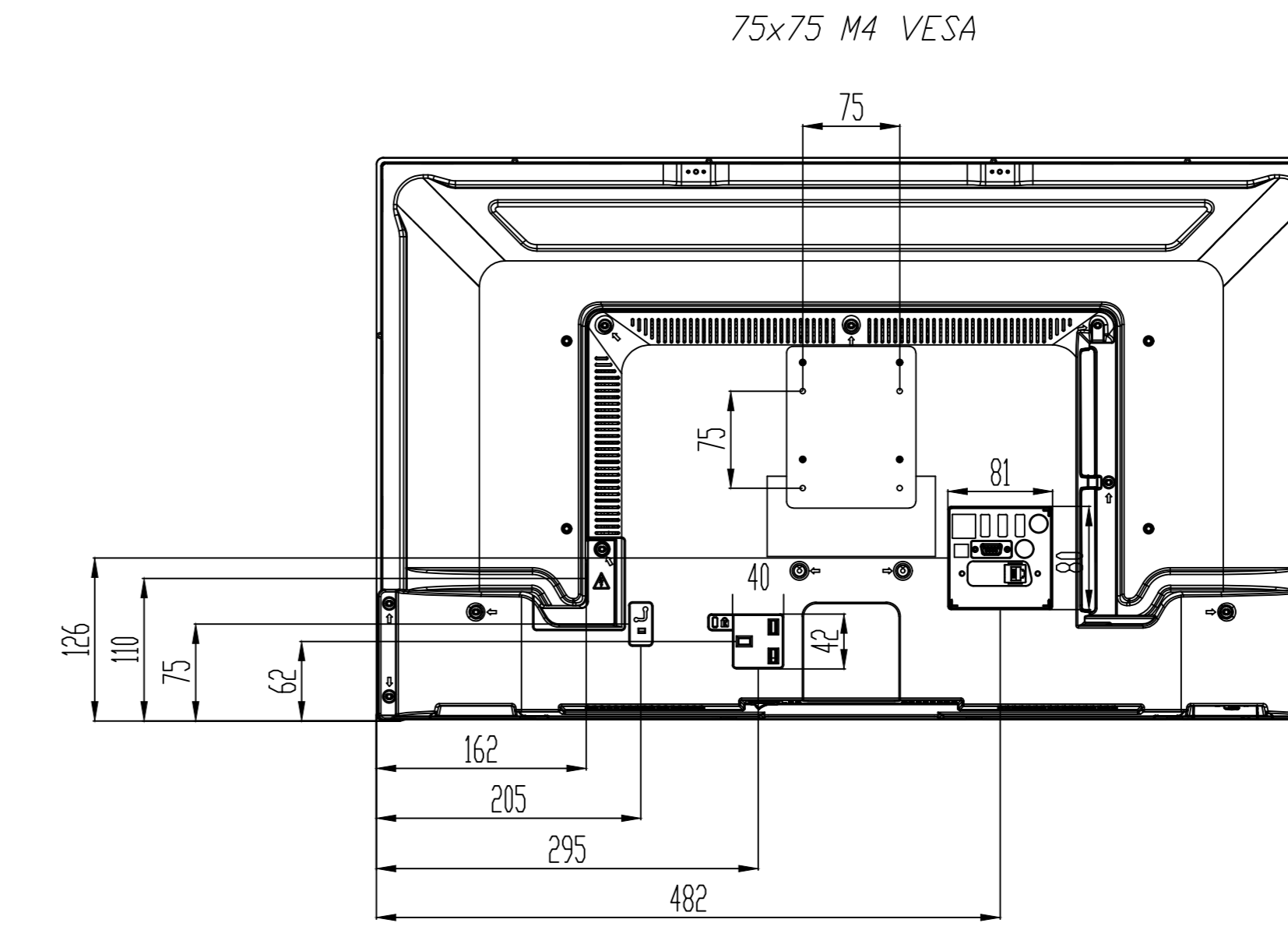
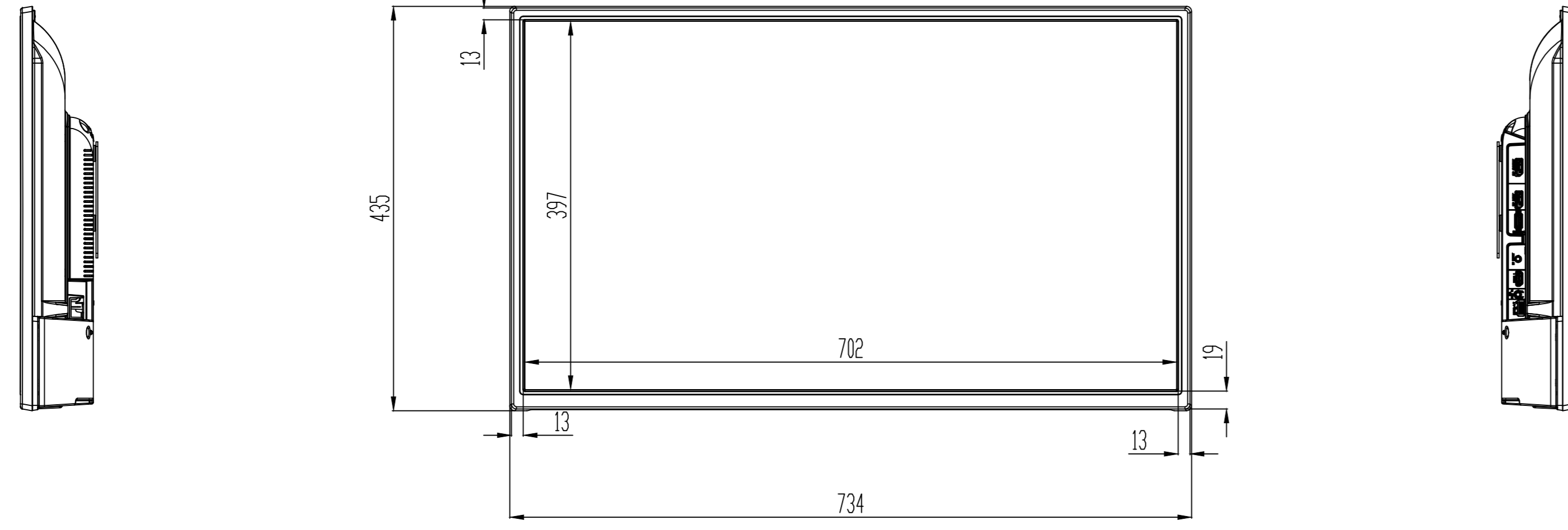
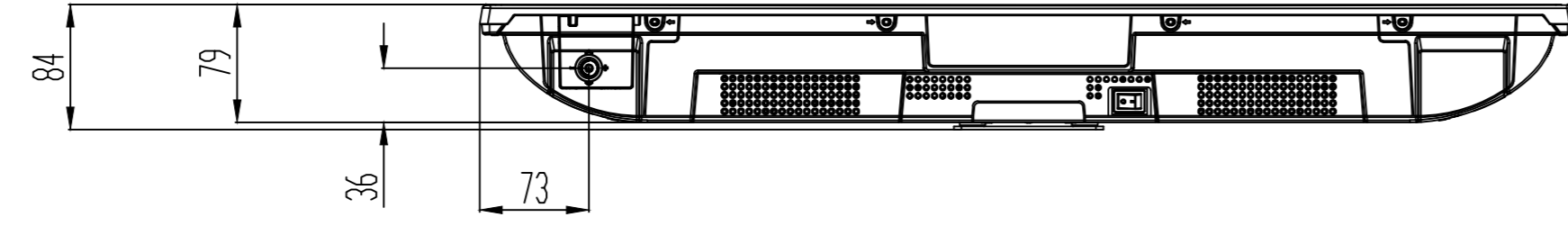


REV.NO	DATE/TARİH	NOTES/AÇIKLAMALAR
1	05.11.2021	ÇİZİM EKLENDİ.
2		
3		
4		
5		



MODEL	DIMENSIONS (mm)		
	WIDTH	DEPTH	HEIGHT
32554 VS	mm	mm	mm
PRODUCT	734	78	435
PACKAGING	795	128	530

ACTIVE CELL DIMENSIONS

TOLERANCES	K	NAME:	REV:
0.00/50.00	±0.10	32554 DS	R01
50.01/100.00	±0.30	CREATED : ISIK ELCIN ONGUN	DATE: 05.11.2021
100.01/250.00	±0.50	LAST REV. : ISIK ELCIN ONGUN	SHEET: 1 / 1
250.01/500.00	±0.75	CHECK : HAKAN KÖYÜNCÜOĞLU	SCALE : 1
500.01/1000.00	±1.00	APPRV. : DENİZ ÇETİNYÜREK	UNIT mm
1000.01/2500.00	±1.50		
ANGLES	±0.5°	VESTEL ELECTRONICS / DİJİTAL PRODUCTS OPERATIONS MANİSA/TURKİYE TEL:+90.236.2130660 FAX:+90.236.2130512	