

Thank you for shopping with Illuminating, we really appreciate your business.

Being purveyors of the creative process, every item in our curated collection passes through a rigorous quality control process ensures an elite product that not only longs to be seen, but is increasingly robust.

Our goal is to provide an excellent customer service before, during and after delivery.

We've included a guide on how to install this light. Should you require additional assistance please feel free to email us at [support@illuminating.com](mailto:support@illuminating.com) and one of our customer service reps will reach out to assist you.

Before you get started:

Turn off electrical power to the fixture at the electrical panel. Use the appropriate voltage tester to ensure no power is present at the fixture before you begin work. Do not rely on a wall switch to protect you from electrical shock. Installation requires an experienced electrician.

## Assembly Inventory:

**A-** 1 x LED Light assembled (see image 1.1)  
Includes light bar, wires

**B-** 1 x Wall Bracket  
(Silver color)



**C-** 4 Regular Screws  
(silver or black color)



**D-** 4 x Plastic Drywall Anchor

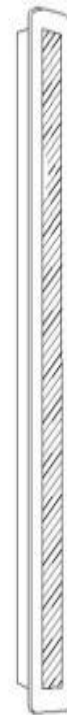
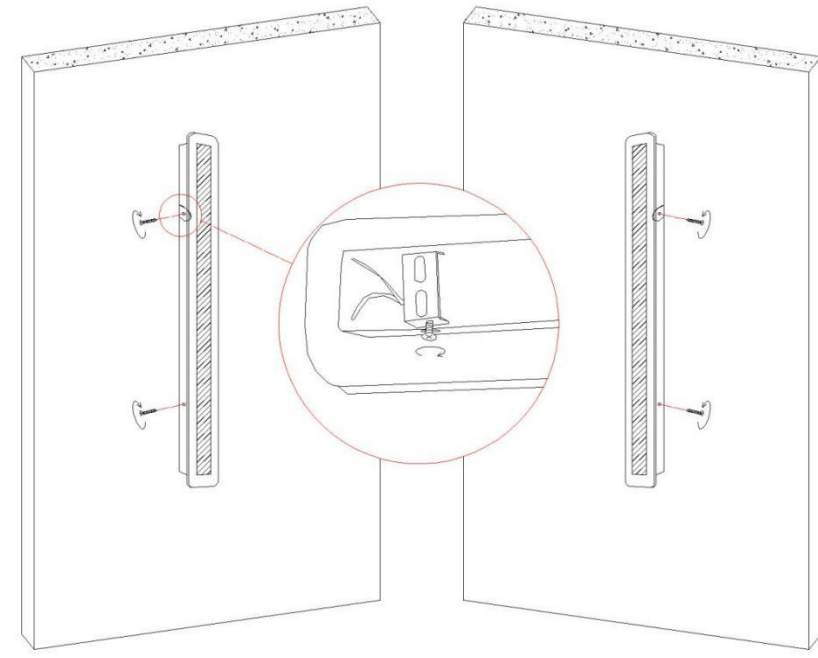
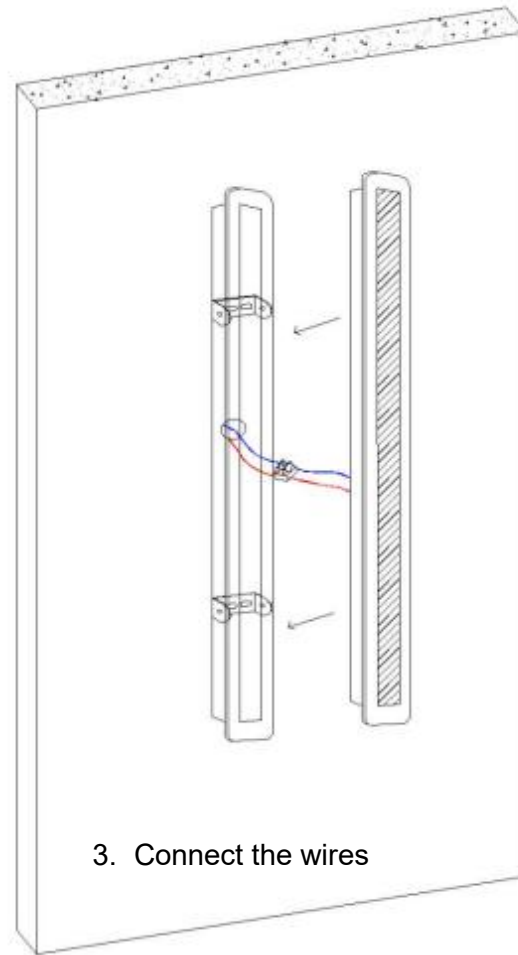
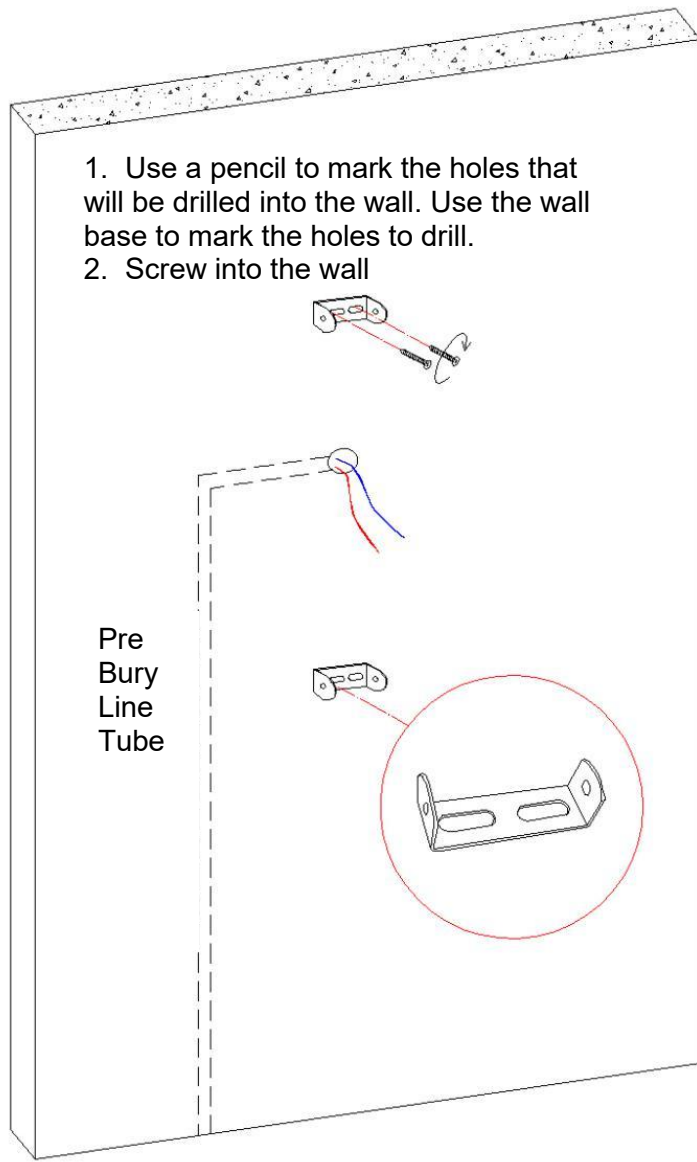


Image 1.1

## Tools needed (not included):

1 x Screw Driver  
1 x Electric Drill

## Installation Instructions



4. Fix Lamp with Wall Bracket

