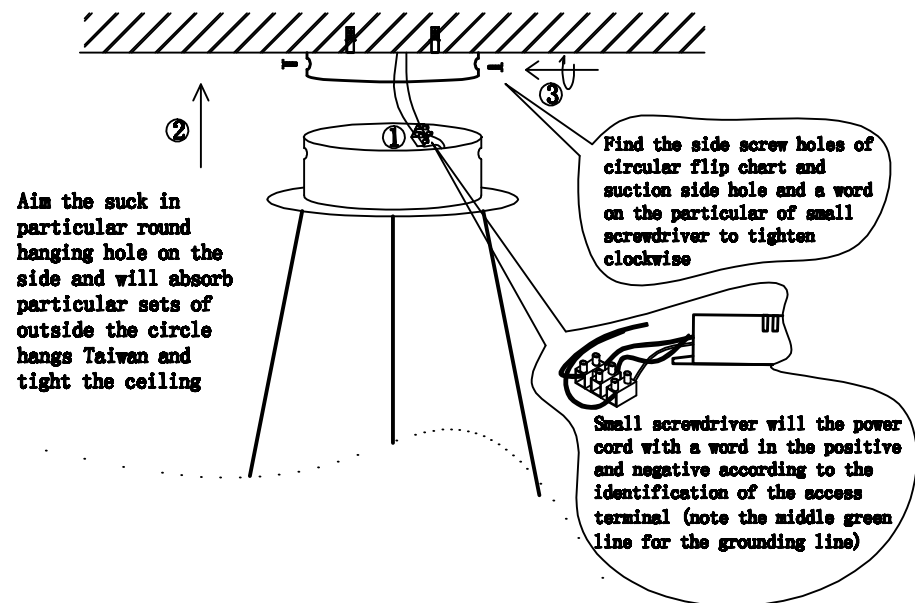


Warning:

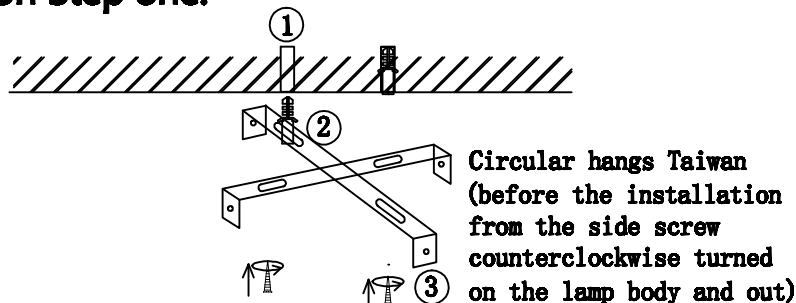
1. In order to prevent the accidents that would threaten the personal safety from happening, like the broken and falling of the lamps, electric shock and fire, please install and use the lamps strictly according to the Instructions, please do not reform the lamps and switch components.
2. Make sure the power is off before installation and maintenance in case of electric shock.

- A. Please install the lamp strictly according to the Instructions;
- B. Please do not install the lamps on the unstable ceiling;
- C. The lamps cannot be covered by insulated backing or other similar material;
- D. To insure safety, please commission electrical professionals to install, maintain and check the .
- E. Install the lamps on the thin and soft or unstable ceiling is not allowed.
- F. The place for installation where is wet or above the high temperature objects is also prohibited.
- G. If there is any malfunction of the lamps, please cut off the power supply immediately and contact with the point of sales.
- H. Before maintenance, please provide the model of the lamp, read the name of the components and installation instructions carefully.

Installation Step Two:



Installation Step one:



- ① Holes in cement ceiling hangs Taiwan identify four to drill hole location (as shown in figure)
- ② According to the size of the screw in the cement smallpox to punch holes, then expanding type screw hole (as shown in figure)
- ③ Hange Taiwan screw hole location with the light body hangs Taiwan hole alignment and fixed; The corresponding expansion screw holes position against the cement ceiling hangs Taiwan tapping screw with automatic screwdriver into the corresponding expansion screw hole. Must determine hangs Taiwan screw connection with enough to bear the weight of the lamp body (pictured)

Warm prompt: if your home is not cement smallpox, but the wooden ceiling usable tapping screw back to set hangs Taiwan directly

Install a good rendering

