

DECORISTA

OSLO LOUNGE COLLECTION



AVAILABILITY : Made to order in Western Australia - 10 weeks to manufacture.

FEATURES : Feather pocketed seats | Double row of back cushions suits peoples differing heights | Slim arm and base profile

FRAME : Solid Timber Frame / Ply / Jarrah Structural

SUSPENSION : Black Cat Webbed Suspension — made in Italy.

SEAT CUSHIONS : Dunlop Enduro foam

BACK CUSHIONS: Polyfibre chanel filled construction, 1 large and 1 small per seat.

BASE OPTIONS : Natural stain tall tapered timber leg.

WARRANTY : 5 Years against manufacturing defect on Frames and Upholstery Foams

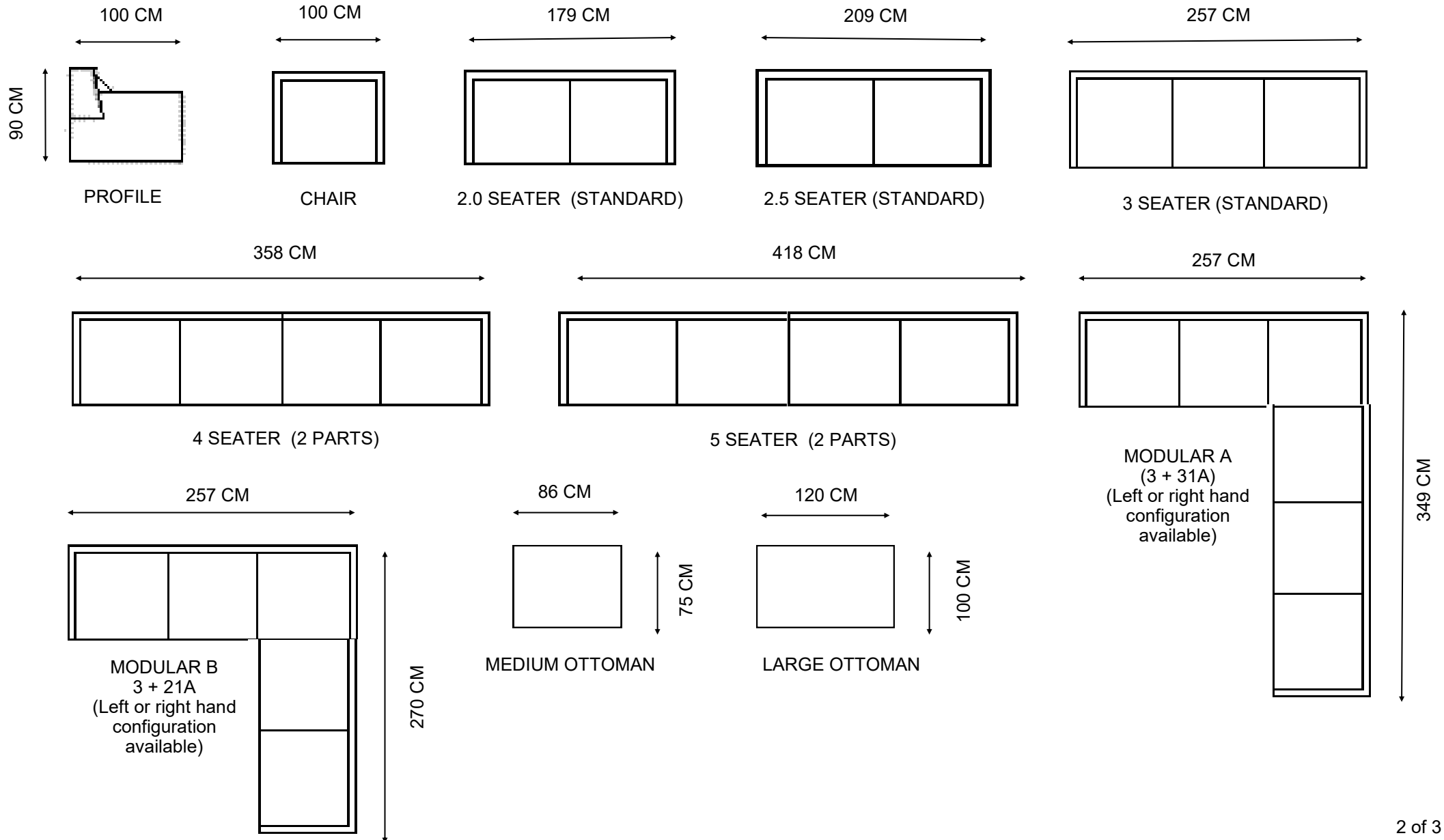
3 Years against manufacturing defect on Fabric

DELIVERY : Delivery is charged additionally on these items, competitively priced and to your requirements, please see our FAQ on delivery.



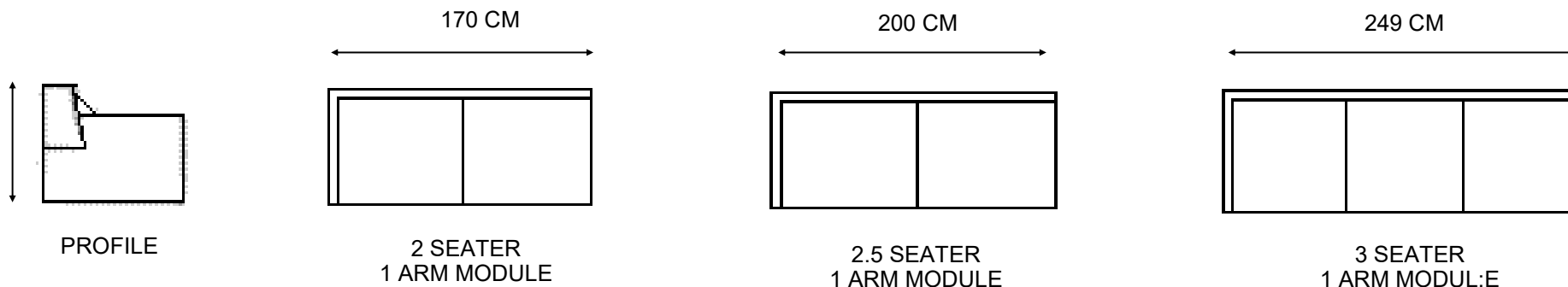
DECORISTA

OSLO LOUNGE COLLECTION



DECORISTA

OSLO LOUNGE COLLECTION



NOTES:

The modular components shown on this page are designed to be used in combination with other pieces. You can use them in a straight line or you can use them with another component to form a corner design—such as MODULAR A and B shown on the previous page. If you're making your own configuration, simply specify each piece individually. In the case of a corner where 2 pieces butt together, you'll also need to add "Corner Cushion Add-On for Modular" so that there are shaped cushions to fill the corner properly—we've already included this in our listed modular options.

In the case of a corner or modular sofa, these can also be made to face left or right, depending on the configuration that best suits your room. Feel free to add this in your notes when placing your order. If anything is unclear, we will get in contact with to clarify shortly after you place your order.

OSLO LOUNGE is on display at our Bassendean Studio. To view this or any other of our lounge designs. Book a lounge appointment through the menu to test the lounge comfort, view our quality, Visit decorista.com.au