

BURLEY®

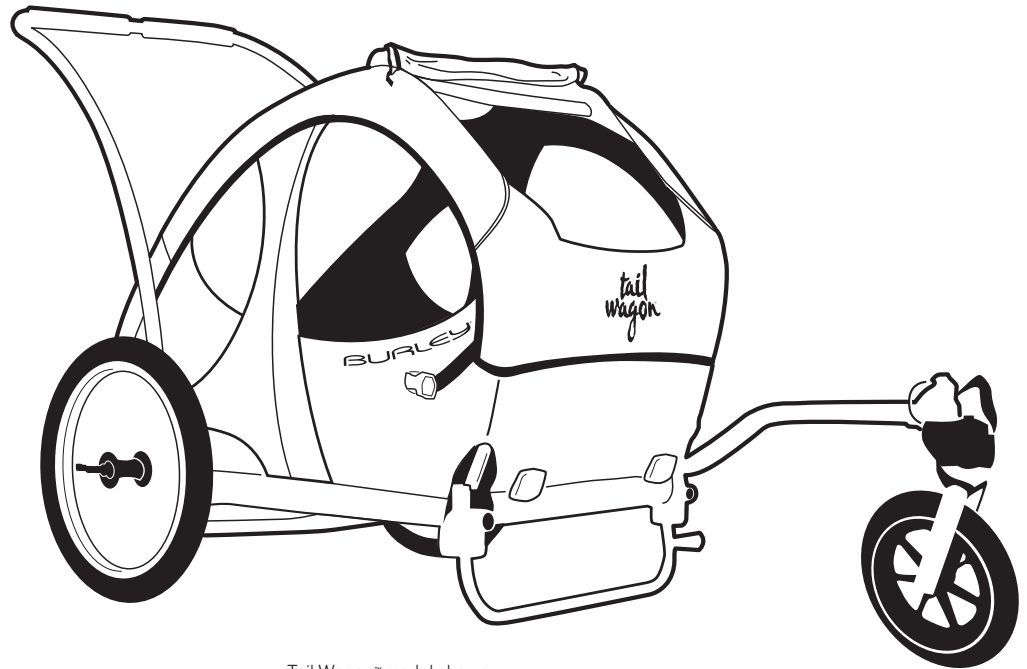
pet trailer

Burley Tail Wagon™ and Rover™
Owner's Instruction and Safety Manual

Tail Wagon™



Rover™



Tail Wagon™ model shown

BURLEY® pet trailer

Burley Tail Wagon™ and Rover™ Owner's Instruction and Safety Manual

Contents

- 3** Introduction
- 3** Safety Guidelines
- 3** Parts and Tool List
- 4** Instructions
- 9** Safety Checklists
- 9** Maintenance and Storage
- 10** Replacement Parts and Diagram
- 11** Warranty

Congratulations!

You've just purchased a Burley® pet trailer. Every effort has been made to ensure your purchase is of top quality and proven design, ready to provide you with many years and miles of happy, safe use with your animal companion. Please go to www.burley.com or contact us at (541) 687-1644 or burley@burley.com to register your warranty information.

Introduction

Before using your trailer, be sure you have a thorough understanding of how the trailer hitch operates. Make sure the trailer wheels and hitch are securely attached. Once you perform a safety check, you're ready to go!

Parts Bag Contents:

- (1) Burley Owner's Instruction and Safety Manual
- (1) 3/8" screw (for attaching light to bracket)
- (1) Bracket for light
- (1) Red light with batteries
- (1) Hitch
- (1) Wheel guard tube:
 - (2) screws
 - (1) 5mm hex key wrench

Tools Required: Phillips screwdriver
5 mm hex wrench
25 mm (1") wrench

Trailer Safety Guidelines

WARNING!



BICYCLING WITH A TRAILER, AND BICYCLING IN GENERAL, CAN BE HAZARDOUS. FAILURE TO OBSERVE ANY OF THE SAFETY GUIDELINES IN THIS MANUAL COULD RESULT IN ACCIDENT AND SERIOUS INJURY OR DEATH.

1. Inspect and maintain your bicycle and trailer regularly. See "Safety Checklists".
2. This trailer is designed for one pet up to 75 lbs./27.9 kg. Never carry a larger pet, as the extra weight and higher center of gravity may cause the trailer to tip over.
3. Because of the trailer's additional weight, a bicycle pulling a trailer is heavier and less responsive. Avoid sudden swerving, rocks, and curbs. Experiment with your pet in the trailer by taking short trips in an uncongested area until you both are accustomed to the trailer. Train your animal companion to sit or lie when the trailer is in motion. Never tow an excitable pet, as they may lunge or jump, causing the trailer to tip over. To protect your pet from jumping from the moving trailer always use your cover and never leave your pet unattended.
4. Observe recommended speeds: a maximum of 15 mph/24km/h on smooth, straight roads, and 5 mph/8km/h or less when turning or on uneven roads.
5. Never use your pet trailer for transporting people.
6. Never pull your Burley trailer with a motorized vehicle.
7. Use only the factory-supplied wheels, with the tires inflated to pressure recommended on tire sidewall. Check the tires before each use.
8. Clamp the hitch securely to the bicycle frame, and check for a tight attachment before each ride.

9. Never use the trailer if it is damaged in any way. Do not make modifications, as alterations may result in a structurally unsound and unstable trailer.

For a complete parts list and product diagram, please go to www.burley.com.

NOTE: Any reference to left or right is made in direction of travel, as if you were sitting inside trailer, looking forward.

Instructions

Mounting Reflectors

1. Mount clear reflectors with screws through grommets in trailer front. **Photo 1**
2. Repeat for red reflectors in rear.

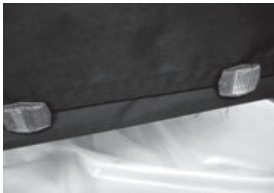
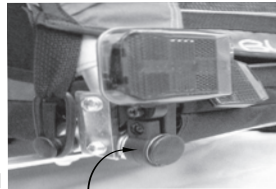


Photo 1



Light Mounted on Rear
Main Frame Tube

Photo 2

Light Installation

1. Remove clip and screw from back of light. Insert batteries into light.
2. Snap posts on back of light into bracket hole. Using 3/8" screw, fasten bracket and light together.
3. Mount light/bracket on rear main frame tube, on side closest to traffic. **Photo 2**
4. Make sure light switch is accessible.

Wheel Guard Tube Installation

Locate threaded holes in center of trailer bottom side frame tubes. With wheel guard tube ends facing toward the wheels (away from the trailer front), match tube holes and frame holes. Insert and tighten provided screws securely. **Photo 3**

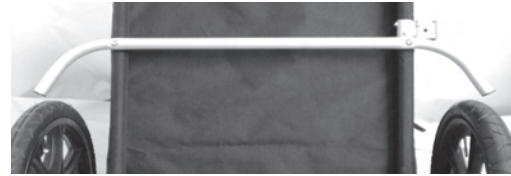


Photo 3

Opening Trailer

Rotate front tube upward and rear back until they meet on plastic saddles. Rotate frame latches and snap onto front tube. **Photo 4**

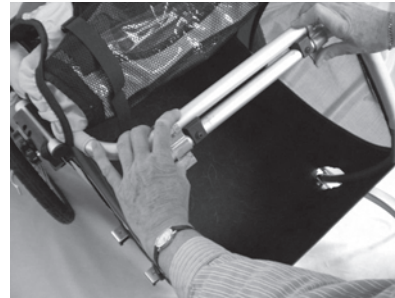


Photo 4

Attaching Wheels

Insert wheel axels into the axle receiver. Close securely, with levers aimed to trailer rear. Inflate tires to pressure recommended on tire side wall. **Photo 5**



Photo 5

Attaching Handle

Slide handle into receivers on both sides of axle. **Photo 6**



Photo 6 (One Side Shown)

Attaching Tow Bar

Slide tow bar through both receptacles on left side. Line up back tow bar hole with rear receptacle hole. Insert the retaining pin through both holes and lock retaining hoop securely. **Photo 7**

WARNING! NEVER OPERATE TRAILER WITHOUT RETAINING PIN LOCKED IN PLACE. UNLOCKED TOW BAR CAN DETACH AND CAUSE AN ACCIDENT AND SERIOUS INJURY.



Photo 7

Attaching Cover

On front, fasten buckles together on sides. On rear, hook O-rings over side knobs. Fasten snaps on top. **Photo 8**



Photo 8

Attaching Tailgate

Snap buckle parts together on trailer sides under cover. **Photo 9a** (To help prevent unplanned exits use attachment shown in Photo 9b.)



Photo 9a



Photo 9b

Removing Floor

For cleaning, floor may be removed by lifting at front. **Photo 10a** Remove floor cover from base for cleaning. Reinsert floor rear under nuts in trailer rear and D-rings on sides. In front corners, snap floor under front nuts. **Photo 10b**



Photo 10a

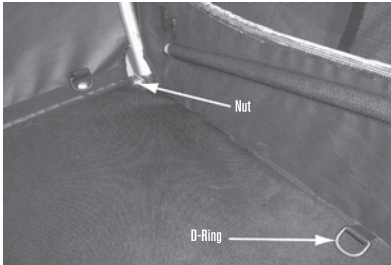


Photo 10b

Installing Safety Flag

Join sections together. On trailer's left side, insert flag pole into flag receptacle on axle. **DO NOT USE TRAILER WITHOUT FLAG.**

Operating Kickstand (Tail Wagon Only)

Use side knob to raise and lower kickstand.

Using Trailer as a Stroller (Tail Wagon Only)

Slide tow bar through both receptacles on left side. Line up **front** tow bar hole with rear receptacle hole. Insert retaining pin through both holes and lock retaining hoop securely. Place stroller wheel in the "STROLL" (down) position and tighten knob.

To adjust wheel tracking (which allows stroller to roll straight):

1. Loosen bolt using 5 mm hex wrench. **Figure 1**
2. With 25 mm (1") wrench, adjust bushing until wheel is aligned and trailer tracks straight.
3. Tighten bolt.

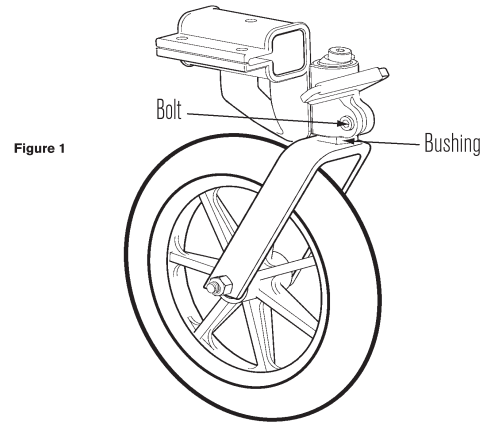


Figure 1

NOTE: Stroller and kickstand available as accessories for the Rover.

Converting from Strolling to Trailering

Remove retaining pin from tow bar, slide bar forward and line up **rear** hole with rear receptacle hole. Insert pin through both holes and fasten safety pin securely. Loosen knob and swing wheel up into "BIKE" position. Tighten knob. **Figure 2**
Now attach trailer to bike, using Burley hitch.

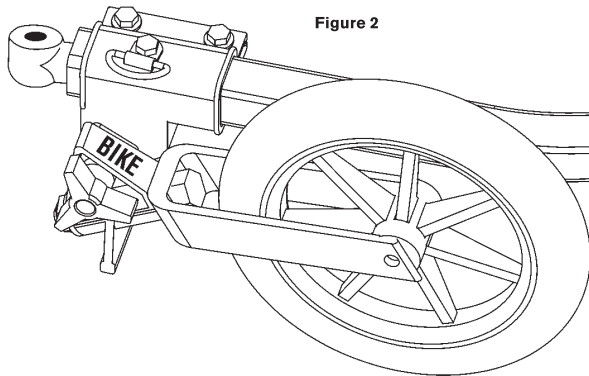


Figure 2

Hitching Trailer to Bicycle

1. Remove quick release lever assembly from bike.
2. Line up hole on flat side of hitch upper arm with left (non-chain ring side) rear dropout hole.
3. Reassemble quick release assembly through hitch and dropout loosely. **Figure 3**
4. Slide hitch receiver end of tow bar between hitch side arms, and line up holes. Racks, bags, or fittings should not interfere with hitch; if there is interference, contact Burley.

5. Open retaining pin and insert through holes. Rotate pin's spring clip and close.
6. Tighten and close quick release lever, with lever pointing to rear of bike.
7. Wrap safety strap twice around inside of chain stay and then over hitch body. Fasten hook to D-ring on tow bar end. **Figure 4**

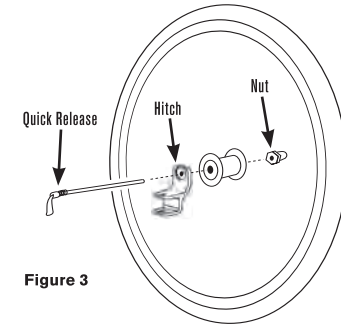


Figure 3

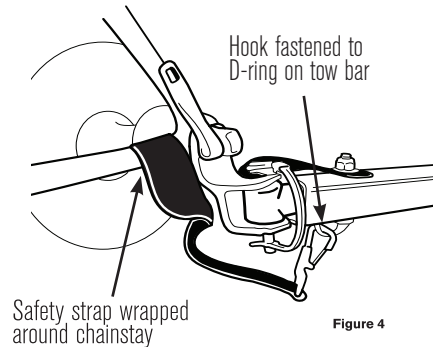


Figure 4

Safety Checklists

Before Each Ride:

- Wheels tightly attached
- Tires inflated to recommended pressure on side wall
- Hitch properly secured with safety strap in place
- Locked retaining pin for tow bar
- Bicycle safety check, especially brakes and tires
- Helmet for cyclist
- Safety flag in place
- Ensure pet is calm
- Maximum load 75 lbs./27.9 kg.

Monthly Checklist

- Inspect tow bar, hitch, frame tubing, and hardware for damage
- Inspect tires for wear and cracks
- Inspect wheels for trueness and cracks
- Inspect wheel bearings for wear
- Inspect fabric parts for rips, abrasion, or missing or damaged hardware
- Contact your Burley for repairs/replacement of any damaged or worn-out parts

Maintenance and Storage

Hitch and Tow Bar Maintenance

Store trailer indoors if possible. Do not use or store trailer at temperatures below 32°F (0° C), as hitch flex connector can become brittle and possibly break, causing accident resulting in serious injury.

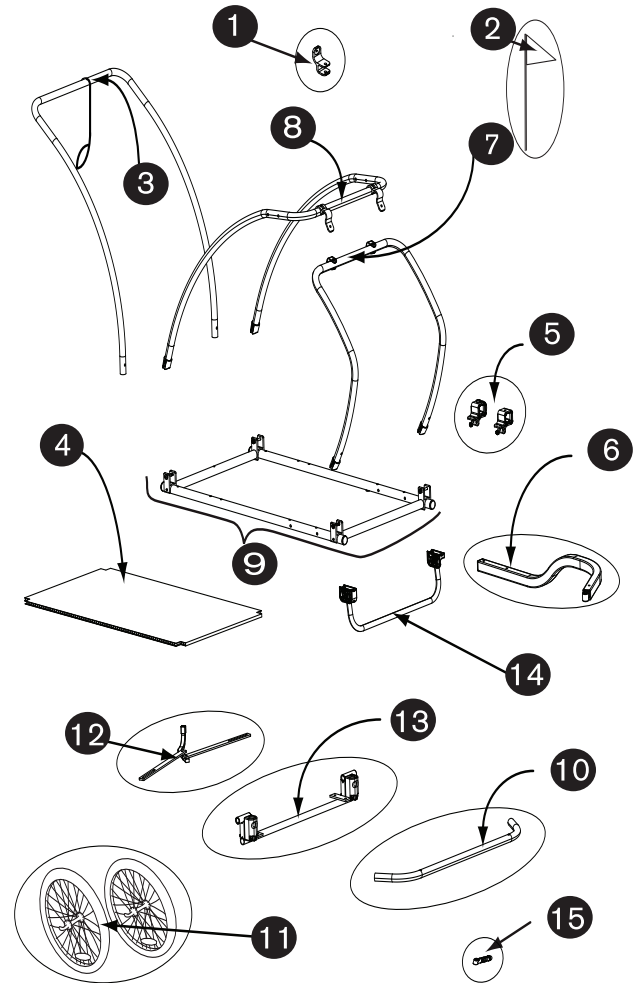
Fabric Care

Hand wash fabric parts with mild soap or detergent and warm water. For heavy soiling, use a nylon bristle brush. Do not use bleach. Line-dry floor covering and trailer cover. Polyester fabric will eventually fade, especially when exposed to direct sunlight. Wipe dry (to help avoid mildew) and store out of direct sunlight in a dry, well-ventilated area. Replace any damaged parts.

2008 Tailwagon and Rover Replacement Parts and Diagram

Diagram #	Tailwagon Part #	Rover Part #	Description	Warranty
1	960000	960000	Standard Hitch	lifetime
2	960009	960009	Safety Flag	1 year
3	250144	250144	Handle Bar Assembly w/Tether	lifetime
	250130	250129	Side Panel/Bag with Windows (NOT SHOWN)	1 year
	250128	250127	Cover (NOT SHOWN)	1 year
4	950017	950017	Floor with Covering	1 year
5	950019	950019	Tow Bar Receiver Kit (front tow bar receiver, rear tow bar receiver, tow bar glides, bolts, nuts)	lifetime
6	250122	250122	Tow Bar Assembly (tow bar, safety strap, flex connector)	lifetime-tow bar 5 years- flex connector /safety strap
7	250117	250117	Frame Assembly, Front (tube, frame locks, hinge)	lifetime
8	250115	250115	Frame Assembly, Rear	lifetime
9	950018	950018	Lower Frame Kit (Main frame L & R, front and rear cross frame)	lifetime
10	250134	250134	Wheel Guard	5 years
11	160015	160013	Wheels (quick release, reflectors, tire, axle) (SOLD INDIVIDUALLY)	lifetime
12	250132	250132	Brake Assembly	lifetime
13	950020	950020	Axle Receiver Kit with Handle Receiver	lifetime
14	960023	960023	Kickstand Assembly	lifetime
15	950038	950038	Flex Connector for Square Tow Bar	5 years

Please go to www.burleygear.com for updated product parts list and diagrams



Burley Trailer Limited Warranty

Burley trailers are warranted against defects in materials and workmanship under normal use and service. Burley will repair or replace parts it determines to be defective as follows: fabric parts for one year, plastic parts for three years and durable frame parts for five years. The Burley trailer owner must present the trailer for repair at place of purchase, with an original sales receipt or similar proof of purchase. This warranty applies only to the original owner and is nontransferable. Burley can not be responsible for failure due to improper assembly, modification of parts or instructions, neglect, abuse, accident, and/or normal wear. The warranty does not cover any trailer used for rental, competition, or commercial use.

Burley neither assumes nor authorizes any person to assume any other liability in connection with this Burley product, and there are no oral agreements or warranties collateral to or affecting this agreement. This warranty gives you specific rights. You may also have other rights which vary by state or country.

BURLEY[®]

BURLEY DESIGN, LLC

4020 Stewart Rd. Eugene, OR 97402

PH 541.687.1644 800.423.8445 FAX 541.687.0436

burley@burley.com • www.burley.com

Copyright © 2007 by Burley Design LLC

"Burley" is a registered trademark of Burley Design LLC

"Tail Wagon," and "Rover" are trademarks of Burley Design LLC

Rev 09/07 170052 manual Tail Wagon, Rover 08 Rev0