

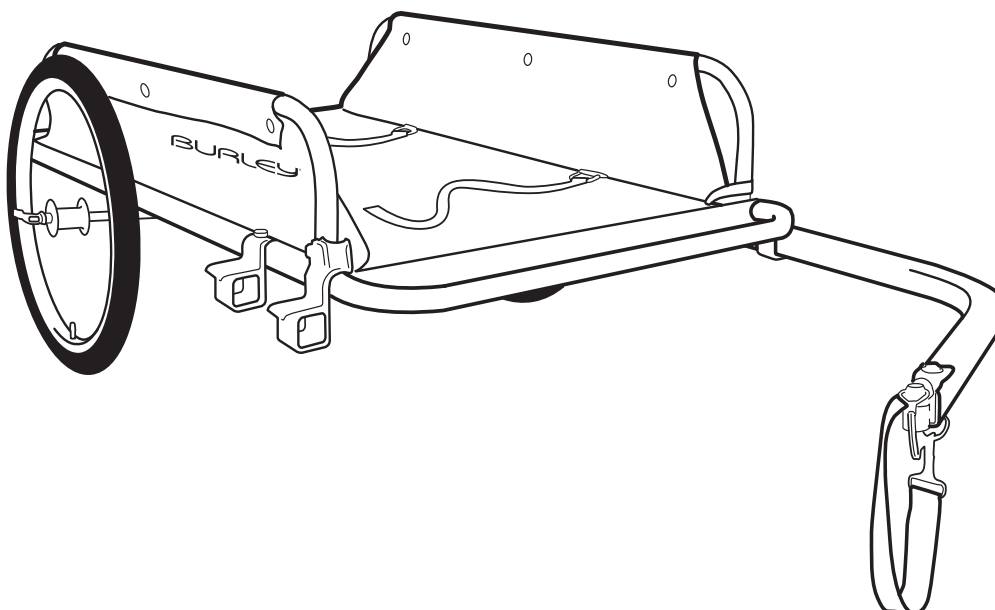
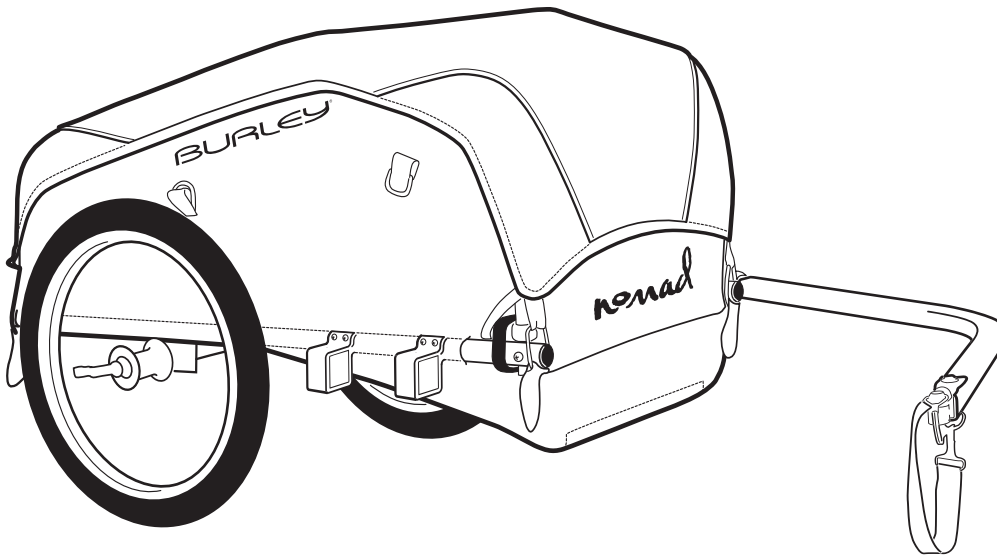


BURLEY®

Owner's Instruction and  
Safety Manual

# cargo

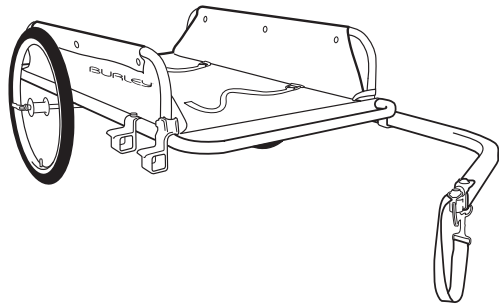
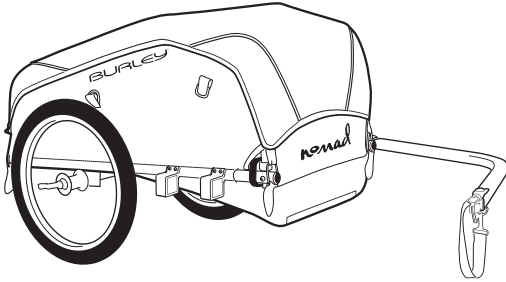
Nomad and Flatbed™





## Owner's Instruction and Safety Manual

Burley Nomad  
and Flatbed™



## Contents

- 3** Introduction
- 3** Safety Guidelines
- 3** Tool List
- 4** Attaching Wheels
- 4** Installing Side Rails
- 5** Mounting Reflectors
- 6** Installing Tailgate and Splash Guard
- 6** Installing Roll Bar and Cover
- 6** Installing Tow Bar
- 7** Installing Safety Flag (Nomad Only)
- 7** Hitching Trailer to Your Bicycle
- 8** Safety Checklist
- 8** Maintenance and Storage
- 9** Nomad Replacement Parts and Diagram
- 10** Flatbed Replacement Parts and Diagram
- 12** Warranty

## Congratulations!

Your Burley® trailer is the leading choice of refined bicycle trailer owners worldwide. Every effort has been made to ensure your purchase is of top quality and proven design, ready to provide you with many years and miles of happy, safe trailering.

Please go to [www.burley.com](http://www.burley.com) or contact us at [burley@burley.com](mailto:burley@burley.com) to register your warranty information.

### IMPORTANT

**IT IS VERY IMPORTANT FOR YOU TO FAMILIARIZE YOURSELF WITH YOUR BURLEY BY READING THIS ENTIRE MANUAL BEFORE USE. IF YOU HAVE ANY QUESTIONS, PLEASE CONTACT YOUR AUTHORIZED BURLEY DEALER.**

## Introduction

Once you've done the initial assembly and read the safety guidelines, you're ready to go! Before trailering, be sure you have the tow bar, trailer wheels and hitch securely attached.

**NOTE:** Any reference to left or right is made in direction of travel, as if you were standing behind the trailer, looking forward.

## Safety Guidelines

### WARNING

**BICYCLING WITH A TRAILER, AND BICYCLING IN GENERAL, CAN BE HAZARDOUS. FAILURE TO OBSERVE ANY OF THE SAFETY GUIDELINES IN THIS MANUAL COULD RESULT IN AN ACCIDENT AND SERIOUS INJURY OR DEATH.**

1. Inspect and maintain your bicycle and trailer regularly. See "Safety Checklists".
2. Because of the trailer's additional weight, a bicycle pulling a trailer is heavier and less responsive. Avoid sudden swerving, rocks and curbs. Experiment with the loaded trailer in an uncongested area until you become familiar with it.
3. The total weight limit for the trailer and cargo is 100 lbs (40 kg in Europe). Load cargo securely in the center, forward of the axle and as low as possible.
4. Observe recommended speed limits: a maximum of 15 mph (24 km/h) on smooth, straight roads and 5 mph (8 km/h) or less when turning or on uneven roads.
5. Never pull your trailer with a motorized vehicle.
6. The cyclist must wear a helmet.

7. Only use factory-supplied wheels, with the tires inflated to the pressure recommended on the tire side wall. Check pressure before each use.
8. Clamp the hitch securely to the bicycle frame, and check for a tight attachment before each use.
9. Use the safety flag. (Nomad Only)
10. Do not make alterations to the trailer. Contact your Authorized Burley Dealer or go to [www.burley.com](http://www.burley.com) for replacement of any damaged, worn-out or missing parts.
11. Do not use your trailer on icy roads or when inclement weather makes cycling hazardous.
12. The use of a mirror on your bicycle is recommended.
13. For emergencies, breakdowns or flat tires, pull completely off the road and move to a safe area before doing repairs.

### Parts Bag Contents:

**NOMAD:** (2) Roll bar knobs  
(1) Hitch  
(1) Burley Owner's Instruction and Safety Manual

**FLATBED:** (4) Retaining pins  
(2) Pair tie-down straps  
(2) Clear reflectors with brackets/screws  
(2) Red reflectors with brackets/screws  
(1) Hitch  
(1) Burley Owner's Instruction and Safety Manual

Tools Required: Phillips Screwdriver

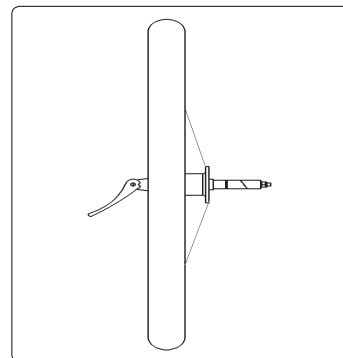
## **! WARNING**

**TRAILERS CAN TIP OVER, CAUSING DAMAGE TO TRAILER AND SERIOUS INJURY TO CYCLIST. AVOID CAUSES OF TIP OVER, ESPECIALLY:**

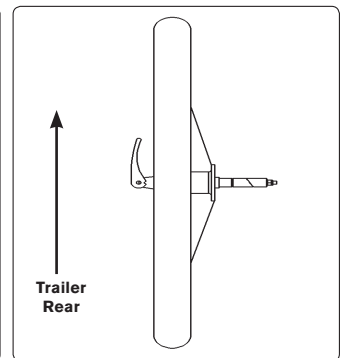
- **HITTING POTHOLES, CURBS, OTHER ROAD OBSTRUCTIONS**
- **TAKING TURNS TOO FAST**
- **SUDDEN SWERVING**
- **IMPROPER WHEEL INSTALLATION OR TIRE INFLATION**

### **Attaching Wheels**

1. Insert wheel axle assembly completely into trailer axle. **FIGURE 1**
2. Close quick release lever, with lever aimed at trailer rear. A properly adjusted quick release lever should leave an imprint on your palm when the lever is rotated to the closed position. **FIGURE 2**
3. Verify that tires are inflated to pressure marked on tire side wall.
4. To remove wheel from trailer axle, open quick release lever.



**FIGURE 1:** Quick release lever in unlocked "open" position (Top View)



**FIGURE 2:** Quick release lever in locked "closed" position (Top View)

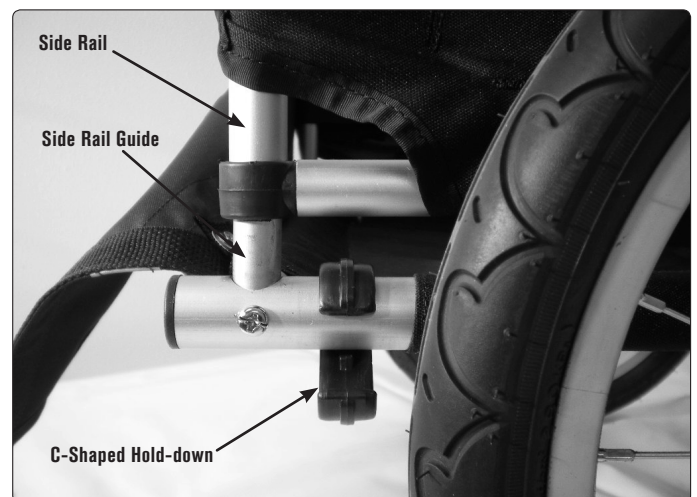
## **! WARNING**

**MAKE SURE WHEELS ARE HELD SECURELY, WITH WHEEL SHAFT FULLY INSERTED INTO HOLLOW AXLE. YOU SHOULD NOT BE ABLE TO ROCK OR SHIFT WHEELS. IMPROPERLY INSTALLED WHEELS CAN FALL OFF, CAUSING AN ACCIDENT OR SERIOUS INJURY.**

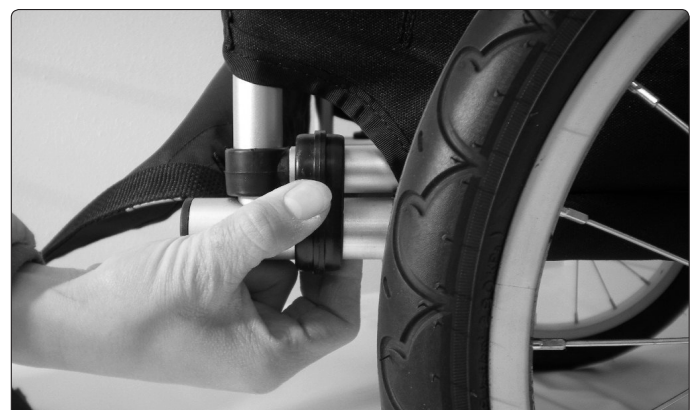
### **Installing Side Rails**

#### **Nomad:**

1. On trailer sides, flip the four C-shaped side panel hold-downs to outside of trailer frame. **PHOTO 1**
2. Slide vertical side rails down over side rail guides on trailer sides, with narrower end of side panels to the rear and "Burley" logo facing outward. **PHOTOS 1 & 3**
3. Snap all four side panel hold-downs over side panel tubing. **PHOTO 4**



**PHOTO 1**



**PHOTO 2:** Hold-down locked over side panel tubing

## WARNING

IF ALL HOLD-DOWNS ARE NOT SNAPPED IN PLACE BEFORE USING THE TRAILER, THE SIDE RAILS CAN SHIFT OR COLLAPSE, RESULTING IN THE LOSS OF CARGO.

### Flatbed:

1. Slide ends of side panel rail into front and rear receivers on side of frame, matching holes in plastic tubing ends with holes in receivers. **PHOTO 4**
2. Insert retaining pins through holes on all four corners, and lock retaining hoops securely. **PHOTO 4**

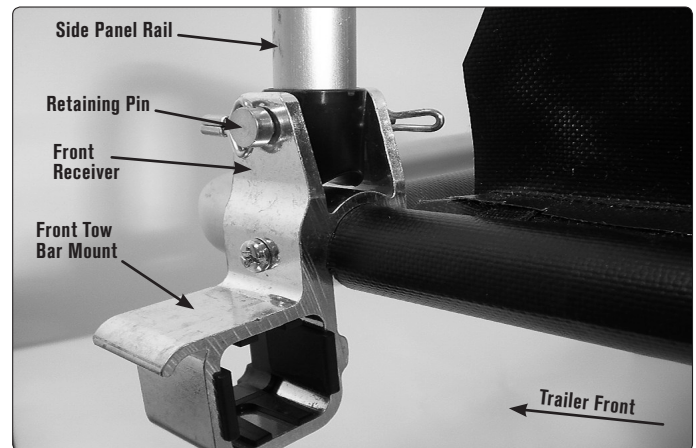
## Mounting Reflectors

### Flatbed:

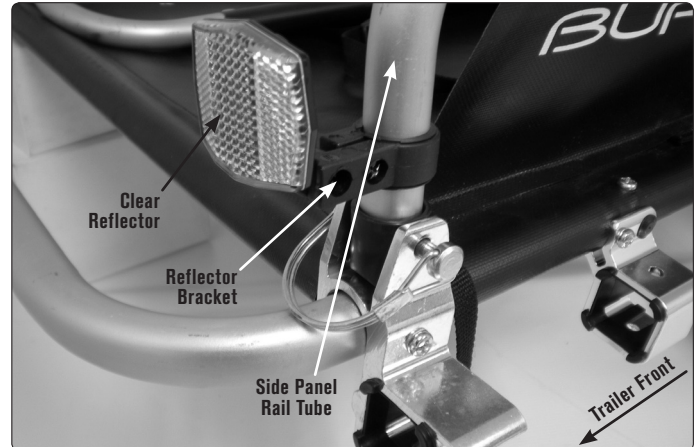
1. Screw reflectors and brackets together.
2. Mount clear reflectors/brackets horizontally on front corners of side panel rail tubes. **PHOTO 5**
3. Mount red reflectors/brackets horizontally on rear corners of side panel rail tubes. **PHOTO 6**



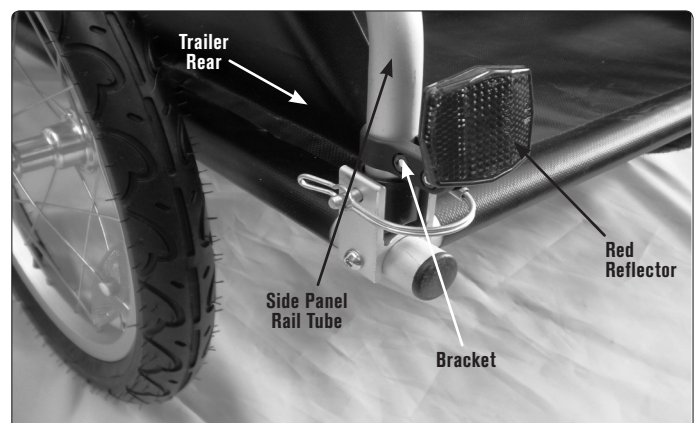
**PHOTO 3: NOMAD SIDE PANEL ORIENTATION**



**PHOTO 4: FLATBED SIDE PANEL ATTACHMENT**



**PHOTO 5: FLATBED CLEAR REFLECTOR/BACKET MOUNTED ON FRONT CORNER OF SIDE PANEL RAIL TUBE**



**PHOTO 6: FLATBED RED REFLECTOR/BACKET MOUNTED ON REAR CORNER OF SIDE PANEL RAIL TUBE**



## Installing Tailgate and Splashguard

### Nomad:

1. Loop tie-down straps over corners of side panels and join male buckle sections on straps to female buckle sections inside trailer. **FIGURE 3 & PHOTO 7**
2. To accommodate different sizes of cargo, tighten or loosen the webbing straps as needed. **PHOTO 7**

## Installing Roll Bar and Cover

### Nomad:

1. Place cover over side panels, with "Nomad" logo at trailer front. **FIGURE 3**
2. Slip one roll bar knob through a grommet on cover. **FIGURE 3**
3. Slide roll bar through casing in divider, and match roll bar end with its corresponding hole on side rail.
4. Thread roll bar knob through side rail, and tighten.
5. Repeat for knob on other side.
6. Loop O-rings on cover over trailer frame tube ends. Make sure cover extends over top of side panels.

## Installing Tow Bar

1. Slide tow bar through both tow bar mounts on left side.
2. Match rear tow bar hole with rear mount hole.
3. Insert the retaining pin through both holes, and lock retaining hoop securely. **PHOTO 8 & PHOTO 9**



PHOTO 7

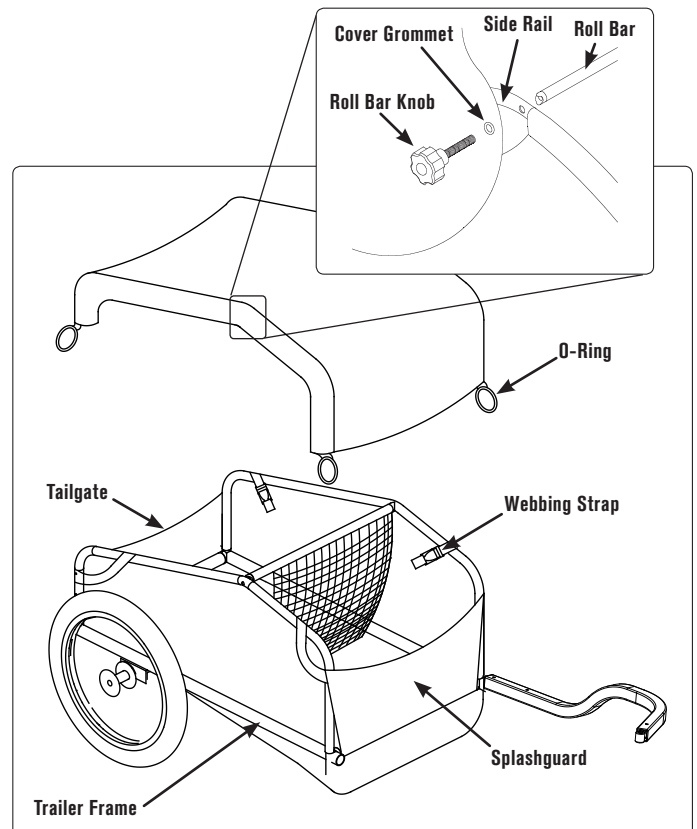


FIGURE 3: NOMAD

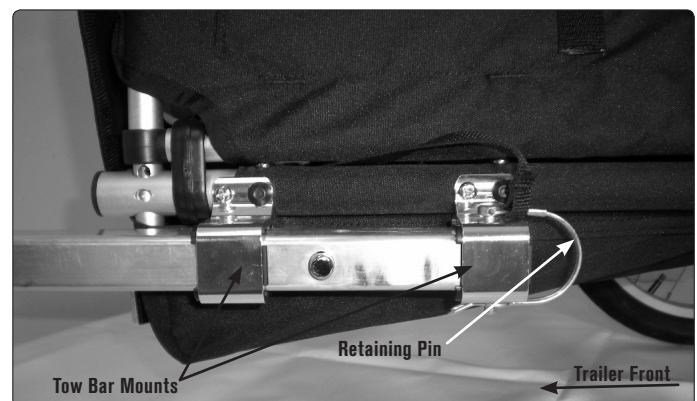


PHOTO 8: NOMAD TOW BAR INSTALLATION

## **! WARNING**

**NEVER OPERATE TRAILER WITHOUT RETAINING PIN LOCKED IN PLACE. AN UNLOCKED TOW BAR CAN LOOSEN OR DETACH, CAUSING ACCIDENT RESULTING IN SERIOUS INJURY.**

### Installing Safety Flag

#### Nomad:

Join flag pole sections together and insert end into flag pocket on outside of left side panel.

## **! WARNING**

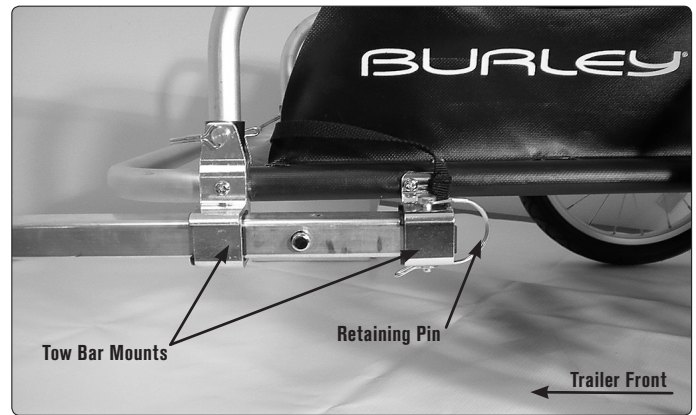
**DO NOT USE TRAILER WITHOUT SAFETY FLAG.**

### Hitching Trailer to Your Bicycle

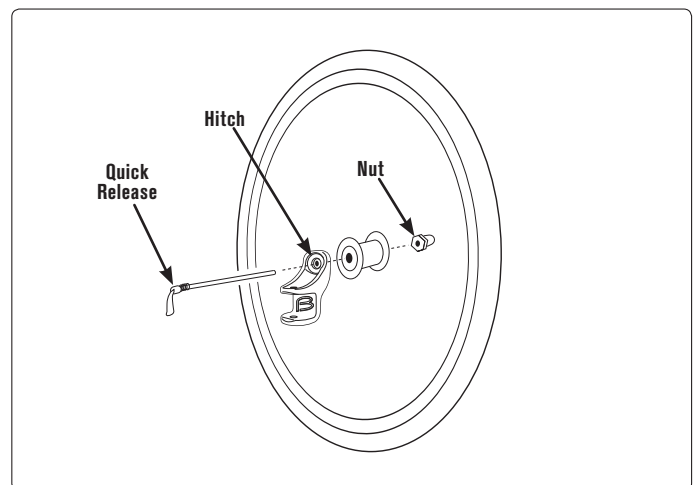
1. Remove rear quick release lever assembly from bike.
2. Match hole on flat side of hitch upper arm to left (non-chain ring side) rear dropout hole.
3. Loosely reassemble quick release assembly through hitch, dropout and wheel. **FIGURE 4**
4. Slide flex connector between hitch side arms, and match holes. Racks, bags, or fittings should not interfere with hitch.
5. Open retaining pin and insert through hitch and flex connector holes. Rotate and close retaining hoop.
6. Tighten and close quick release lever, with lever pointing to rear of bike. A properly adjusted quick release lever should leave an imprint on your palm when the lever is rotated to the closed position.
7. Wrap safety strap twice around inside of chain stay. Fasten hook to D-ring on underside of tow bar end. **FIGURE 5**
8. To remove trailer from bicycle, unfasten clip from D-ring and remove retaining pin.

## **! WARNING**

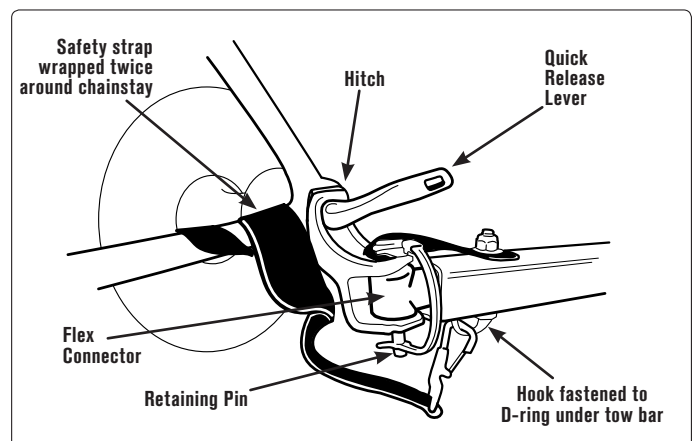
**QUICK RELEASE LEVER MUST BE IN CLOSED POSITION AND HITCH SAFETY STRAP PROPERLY INSTALLED. HITCH MUST NOT INTERFERE WITH RACKS, BAGS OR FITTINGS. INSPECT HITCH AND TOW BAR FREQUENTLY FOR DAMAGE OR LOOSE FASTENERS. DAMAGED, IMPROPERLY INSTALLED OR INTERFERING PARTS CAN CAUSE ACCIDENTS RESULTING IN SERIOUS INJURY.**



**PHOTO 9: FLATBED TOW BAR INSTALLATION**



**FIGURE 4**



**FIGURE 5**

## Safety Checklists

### Check Before Each Ride:

- ✓ Wheels tightly attached, with quick release levers securely locked
- ✓ Tires inflated to recommended pressure on tire side wall
- ✓ Hitch properly secured with safety strap in place
- ✓ Locked retaining pin for tow bar
- ✓ Maximum load 100 lbs (40 kg in Europe)
- ✓ Bicycle safety check, especially brakes and tires
- ✓ Helmet for cyclist
- ✓ Safety flag in place (Nomad Only)
- ✓ Cargo loaded and secured correctly

### Monthly Checklist

- ✓ Inspect tow bar, hitch, frame tubing, flex connector and hardware for damage
- ✓ Inspect tires for wear and cracks
- ✓ Inspect wheels for trueness and cracks
- ✓ Inspect wheel bearings for wear
- ✓ Inspect fabric parts for rips, abrasion, or missing or damaged hardware
- ✓ Contact your Authorized Burley Dealer for replacement of any damaged or worn-out parts

## Maintenance and Storage

### Hitch and Tow Bar Maintenance

Store trailer indoors if possible. Do not use or store trailer at temperatures below 32°F (0°C), as the hitch flex connector can become brittle and possibly break, causing an accident resulting in serious injury.

### Fabric Care

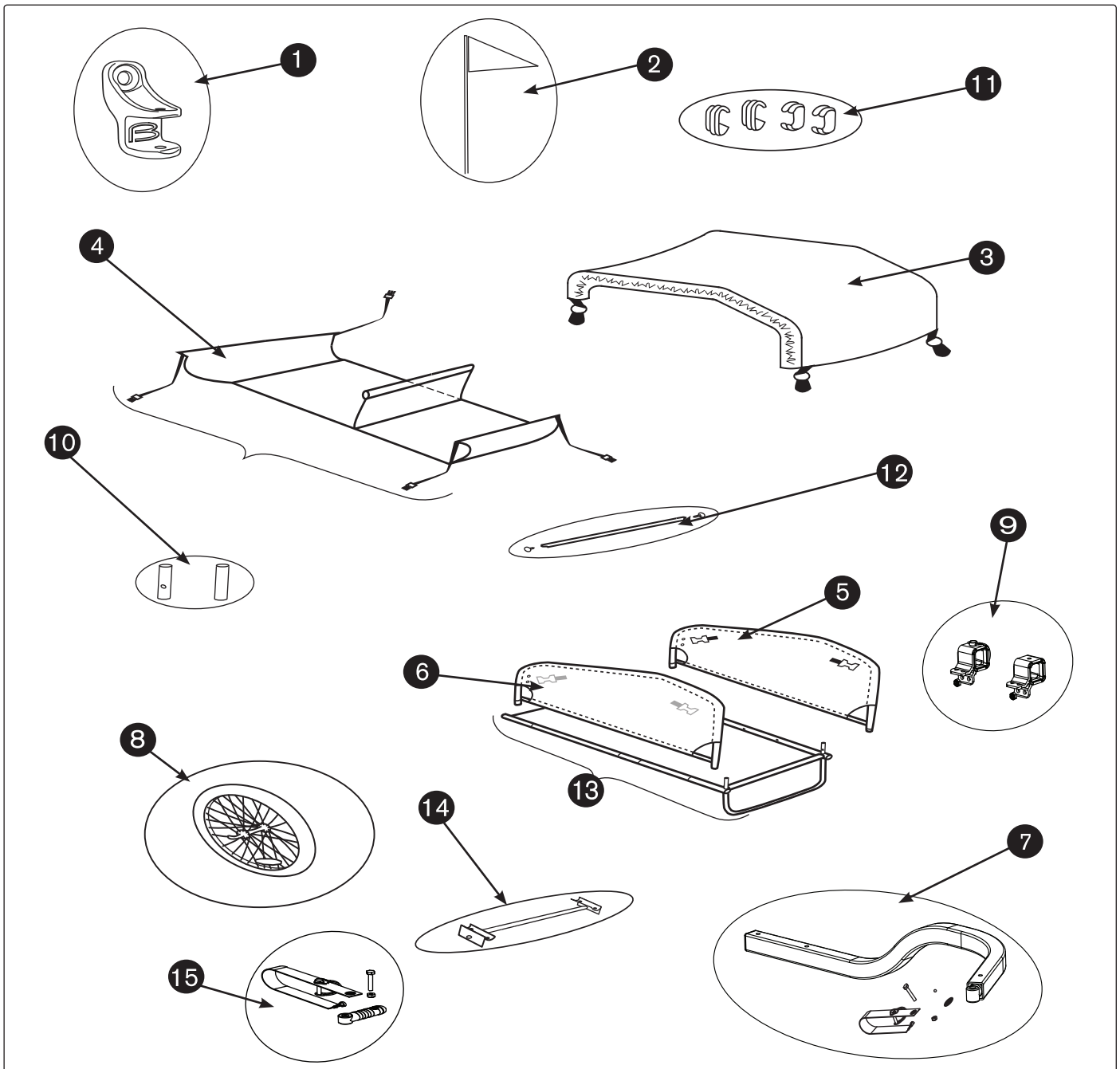
Hand wash fabric parts with mild soap or detergent and warm water. For heavy soiling, use a nylon bristle brush. Do not use bleach. Polyester fabric will eventually fade, especially when exposed to direct sunlight. Wipe dry (to help avoid mildew) and store out of direct sunlight in a dry, well ventilated area, or use a Burley Trailer Storage Cover to protect your trailer. Replace any damaged parts.



## 2009 Nomad Replacement Parts and Diagram

Diagram #	Part #	Description
1	960041	Forged Standard Hitch
2	960009	Safety Flag
3	4325401	Tonneau Cover
4	4326502	Bag
5	950022	Left Side Panel on Frame
6	950023	Right Side Panel on Frame
7	250122	Tow Bar Assembly
8	160021	Wheel (SOLD INDIVIDUALLY)
9	950019	Tow Arm Guide Kit
10	950026	Side Rail Posts (set of 2)
11	950027	Snap Coupling Kit (Set of 4)
12	4310007M	Rollbar with Knobs
13	950072	Nomad Frame Kit
14	950029	Axle Tube Assembly
15	950038	Flex Connector for Square Tow Bar w/ Safety Strap

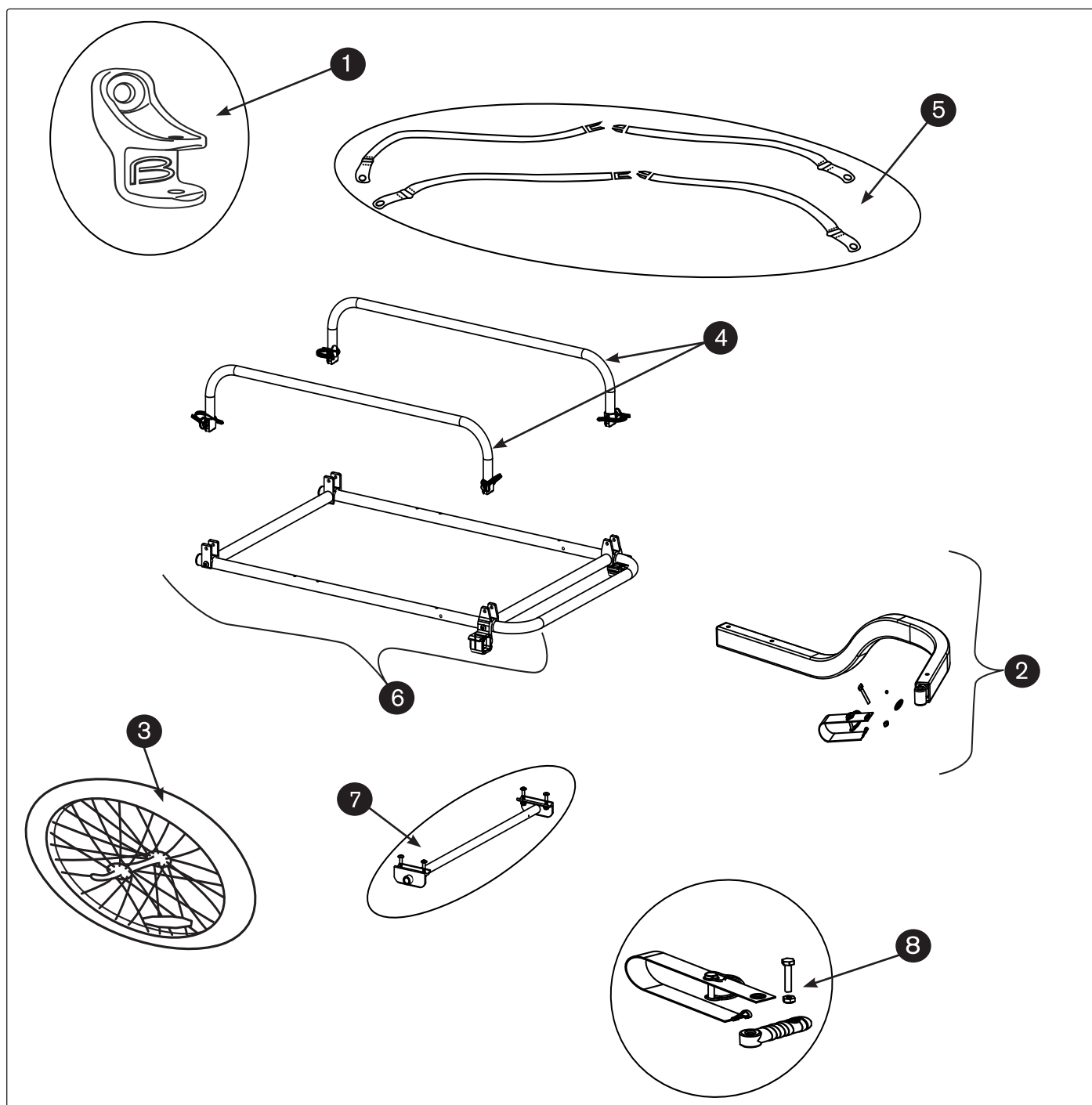
Please go to [www.burley.com](http://www.burley.com) for updated product parts list and diagrams



## 2009 Flatbed Replacement Parts and Diagram

Diagram #	Part #	Description
1	960041	Forged Standard Hitch
	950096	Fabric Floor (NOT SHOWN)
2	250122	Tow Bar Assembly for Square Tow Bar
3	160021	Wheel (SOLD INDIVIDUALLY)
	950005	Tow Bar Receiver Kit (NOT SHOWN)
4	950073	Side Rails (set of 2)
5	4130010	Hold Down Straps (set of 2)
6	950074	Flatbed Frame Kit
7	950097	Axle Assembly
8	950038	Flex Connector for Square Tow Bar w/ Safety Strap

Please go to [www.burley.com](http://www.burley.com) for updated product parts list and diagrams



**Notes:**

#### Burley Limited Warranty:

This Burley trailer is warranted from the date of purchase against defects in materials and workmanship as follows: fabric parts for one year, frame and plastic parts for three years. Your original dated sales or delivery receipt showing the date of purchase is your proof of purchase.

If a defect in materials or workmanship is discovered during the Limited Warranty period, we will, at our sole option, repair or replace your product at no cost to you. This warranty is only valid in the country in which the product was purchased.

The Limited Warranty extends only to the original retail purchaser of this product and is not transferable to anyone who obtains ownership of the product from the original purchaser.

The Limited Warranty does not cover claims resulting from misuse, failure to follow the instructions, installation, improper maintenance and use, abuse alteration, involvement in an accident, and normal wear and tear. The Limited Warranty does not cover products which are used in rental operations and Burley will not be liable for any incidental or commercial damages relating to such use.

TO THE GREATEST EXTENT PERMITTED BY LAW, THIS LIMITED WARRANTY IS EXCLUSIVE AND IN LIEU OF ANY OTHER WARRANTY, WRITTEN OR ORAL, INCLUDING BUT NOT LIMITED TO ANY EXPRESS OR IMPLIED WARRANTY OF MERCHANTABILITY OR FITNESS FOR A PARTICULAR PURPOSE.

The duration of any implied warranties, including any implied warranty of merchantability or fitness for a particular purpose that may exist during the express warranty period is expressly limited to the limited warranty period.

Some states and countries do not allow limitations on how long an implied limited warranty lasts; therefore, the above limitation and exclusions may not apply to you.

THE CUSTOMER'S EXCLUSIVE REMEDY FOR BREACH OF THIS LIMITED WARRANTY OR OF ANY IMPLIED WARRANTY OR OF ANY OTHER OBLIGATION ARISING BY OPERATION OF LAW OR OTHERWISE SHALL BE LIMITED AS SPECIFIED HEREIN TO REPAIR OR REPLACEMENT, AT OUR SOLE OPTION. IN ANY EVENT, RESPONSIBILITY FOR SPECIAL, INCIDENTAL AND CONSEQUENTIAL DAMAGES IS EXPRESSLY EXCLUDED.

Some states do not allow the exclusion of limitation of incidental or consequential damages, so the above limitation of exclusion may not apply to you.

This Limited Warranty gives you specific legal rights, and you may have other rights that vary from state to state or country.

For warranty service or replacement part information for the USA or Canada, please contact Burley directly by calling 800-311-5294 or emailing [burley@burley.com](mailto:burley@burley.com). For warranty service or replacement part information outside of the USA and Canada please contact the place of purchase for warranty service. Please be prepared to provide the product model, serial number and a description of the warranty issue.

Some replacement parts may be available for purchase after this limited warranty expires. Please visit us at [www.burley.com](http://www.burley.com) or call us at 541-687-1644 for more information.



**BURLEY®**

BURLEY DESIGN  
1500 Westec Drive  
Eugene, OR 97402 USA  
P. 541.687.1644 or 800.423.8445 F. 541.687.0435  
[burley@burley.com](mailto:burley@burley.com) [burley.com](http://burley.com)  
©2008 Burley Design LLC  
"Burley" is a registered trademark of Burley Design LLC  
170099 Nomad Flatbed Rev 4