



BURLEY®

Owner's Instructions and Safety Manual

Child Trailers

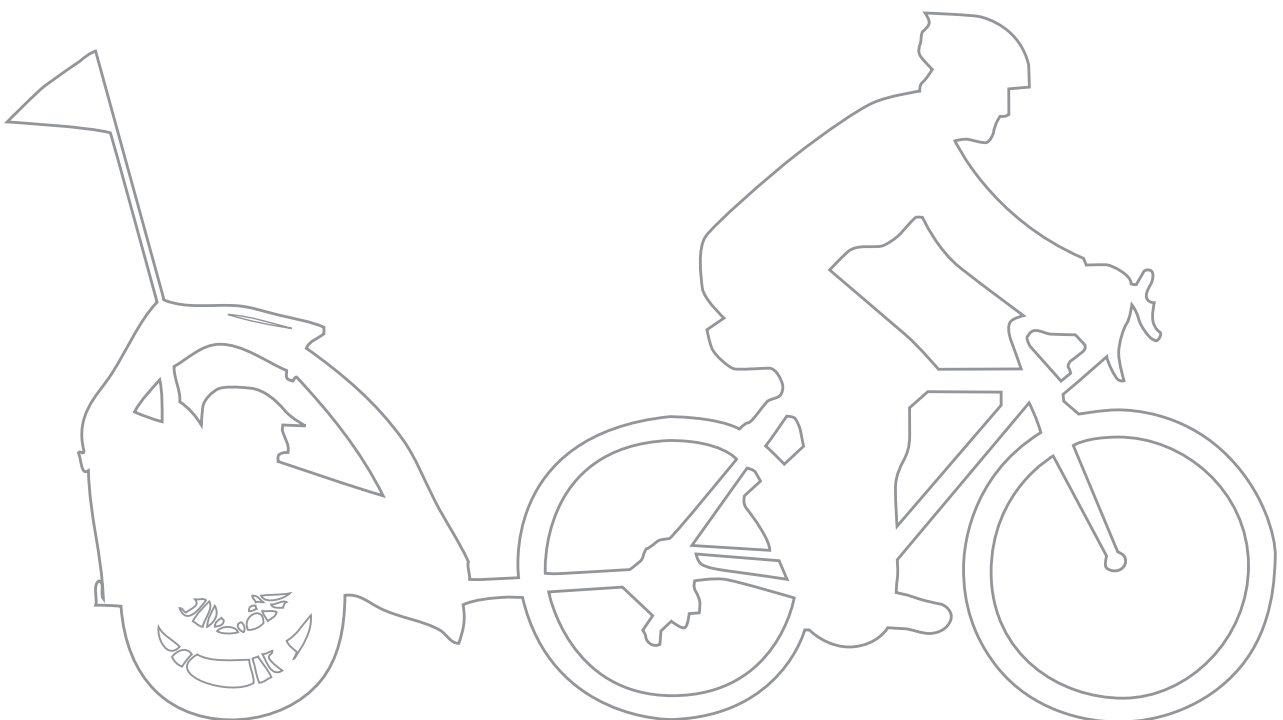
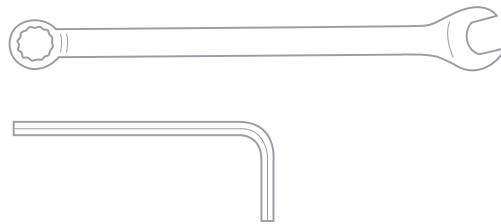
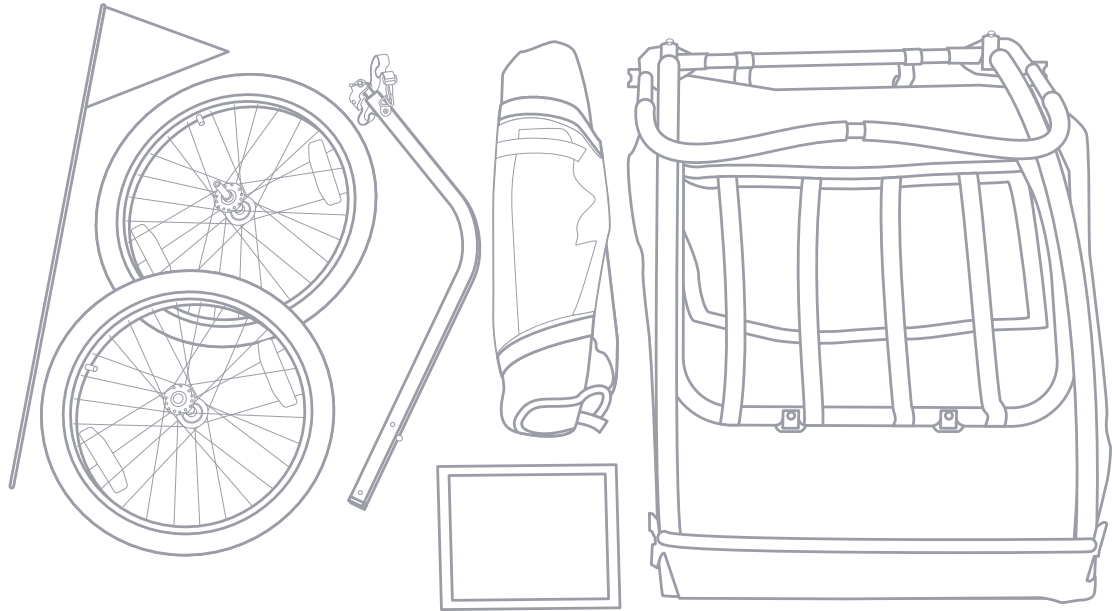


Table of Contents

1. Box Contents and Required Tools
2. Burley Trailer Guide
3. Burley Hitch Guide
4. Opening Your Trailer
5. Installing the Wheel Guards
6. Installing the Tow Bar (D'Lite and Solo)
7. Installing the Tow Bar (Encore, Cub, Honey Bee and Bee)
8. Attaching the Wheels
9. Attaching the Cover and Safety Flag
10. Hooking up Your Trailer
11. Setting the Brake and Securing Your Child
12. Adjusting the Roll Bar
13. Before you Ride
14. Safety Guidelines
15. Maintaining Your Burley
15. Warranty
16. Replacement Parts

Important

Before using your trailer, please familiarize yourself with this Burley manual. For questions and additional information, please contact your authorized Burley dealer or visit www.burley.com.



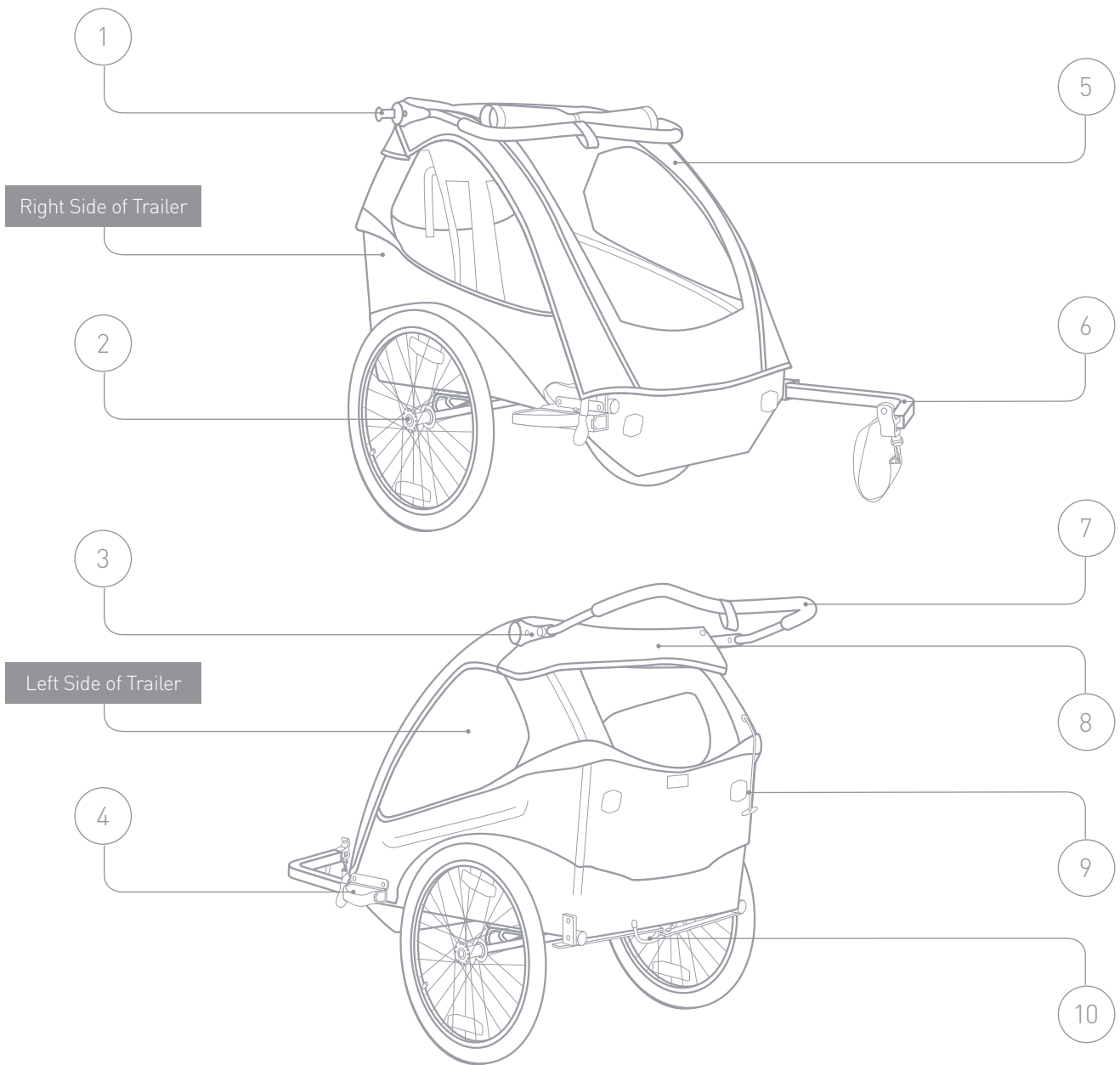
Box Contents:

1 flag, 2 wheels , 1 tow bar, 1 cover, 1 parts bag, 1 trailer

Required Tools:

10mm wrench (not included), hex key (included)



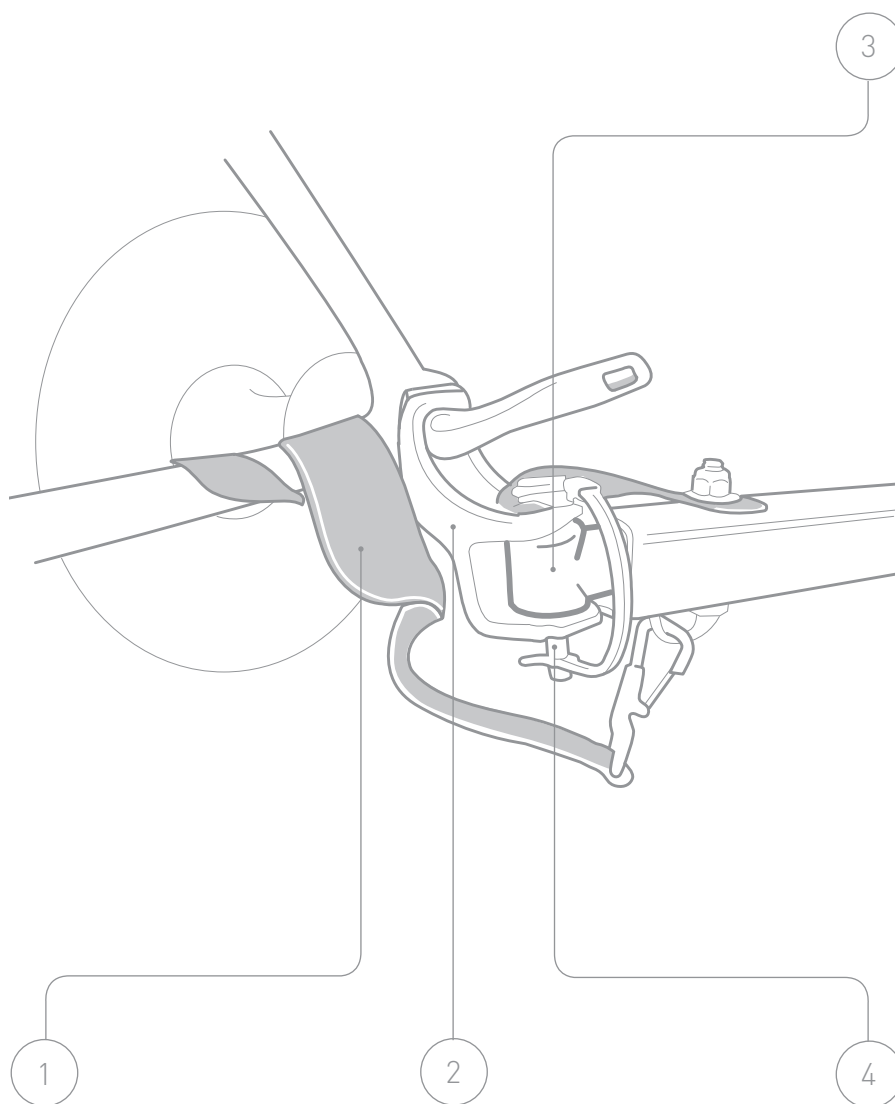


Burley Trailer Guide

- | | |
|-----------------------------------|---|
| 1. Roll bar/handlebar lever | 6. Tow bar |
| 2. Push-button release wheel | 7. Roll bar/handlebar |
| 3. Flag mount | 8. Frame latches (under cover) |
| 4. Wheel guard / tow bar receiver | 9. Frame pull-cord (D'Lite & Solo only) |
| 5. Cover | 10. Brake handle |

NOTE: Not all models have all features listed above.





Burley Hitch Guide

1. Safety strap
2. Hitch
3. Flex connector
4. Lock pin



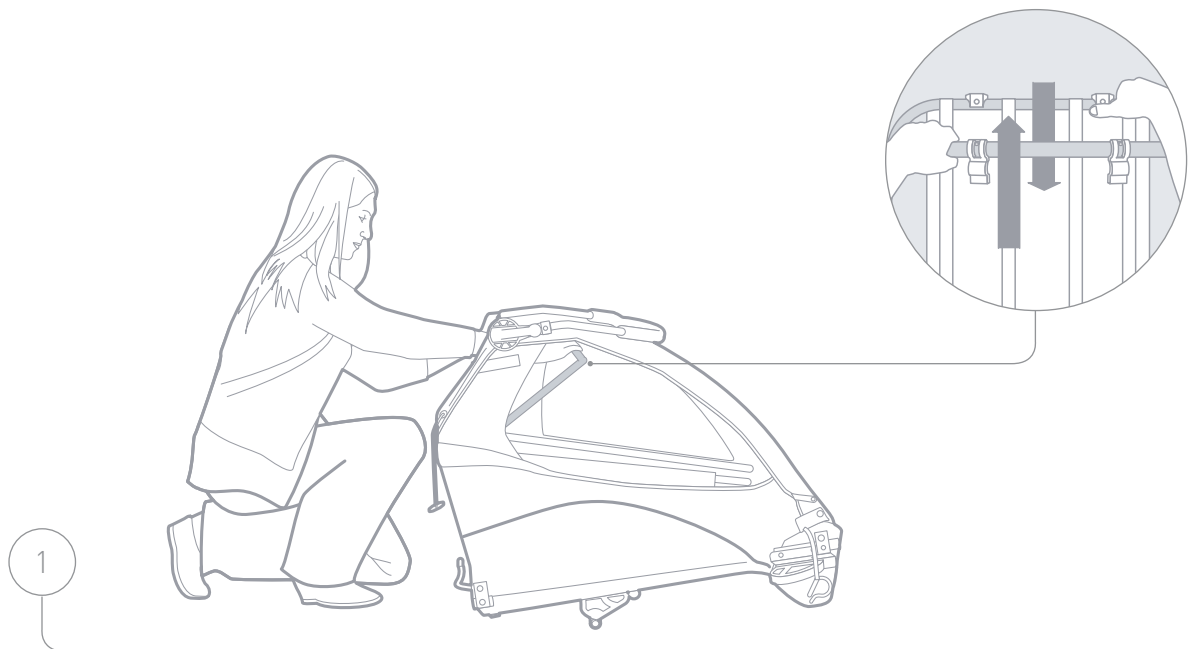


Figure 1

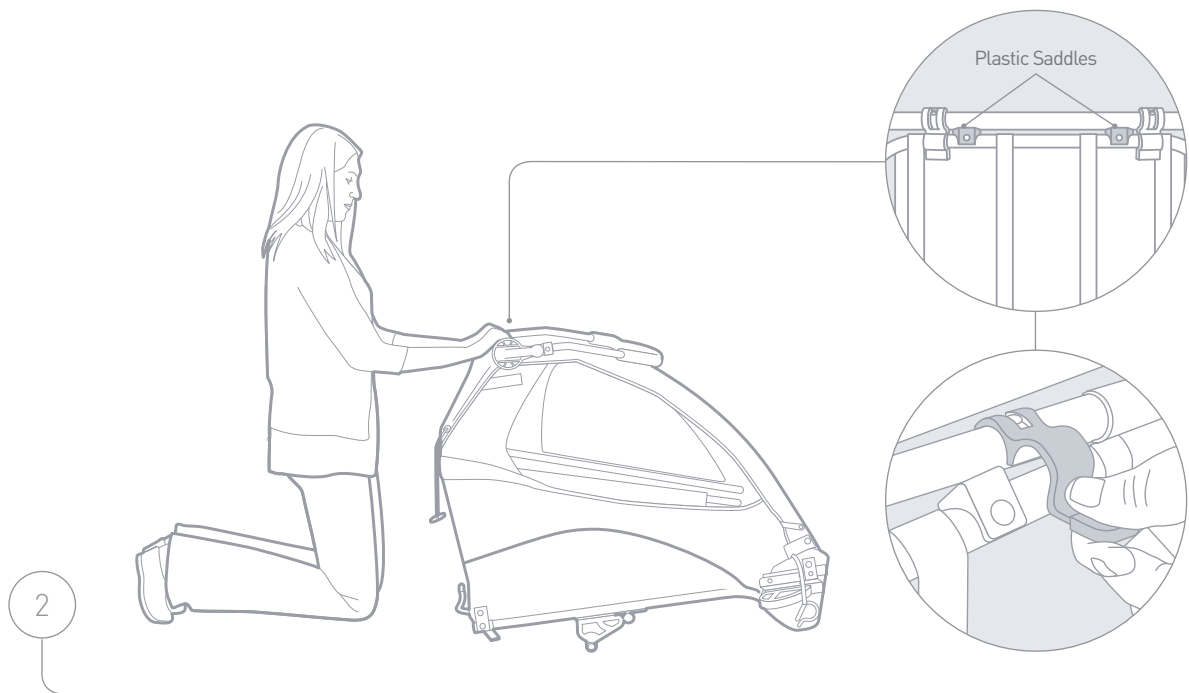


Figure 2

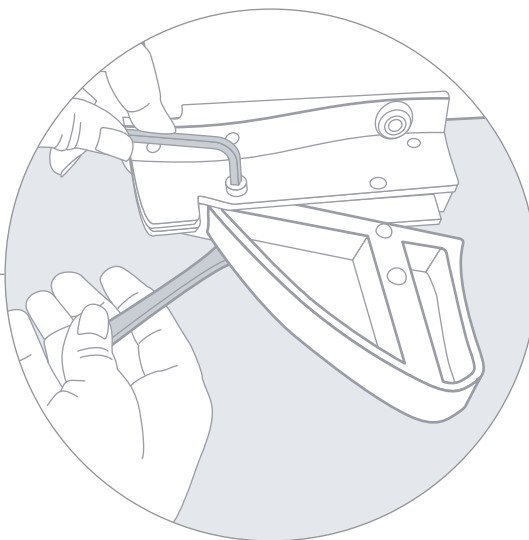
Figure 3

Opening Your Trailer

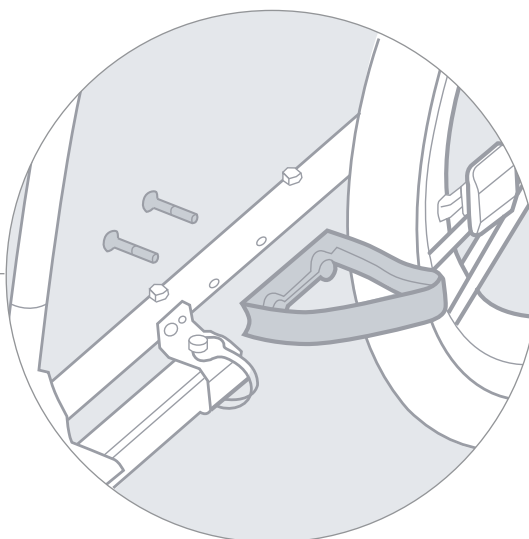
1. Raise front frame tube and rear frame tube from inside the trailer (Figure 1) until they sit together on the plastic saddles (Figure 2).
2. Lock bars together by pushing down on latches (Figure 3).



D'Lite and Solo



Encore, Honey Bee and Bee



Installing the Wheel Guards

D'Lite and Solo: Match hole in wheel guard to hole in tow bar receiver, and insert bolt from top using the provided hex key and 10mm wrench. Tighten nut securely to bolt.

Encore, Honey Bee and Bee: Insert wheel guard bolts through frame tube. Match holes in wheel guards to bolts. Tighten securely with hex key.



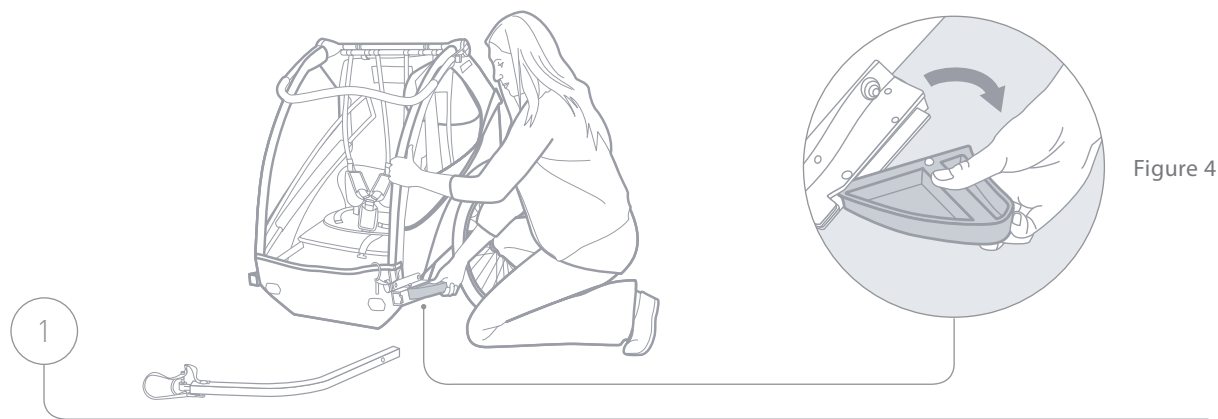


Figure 4

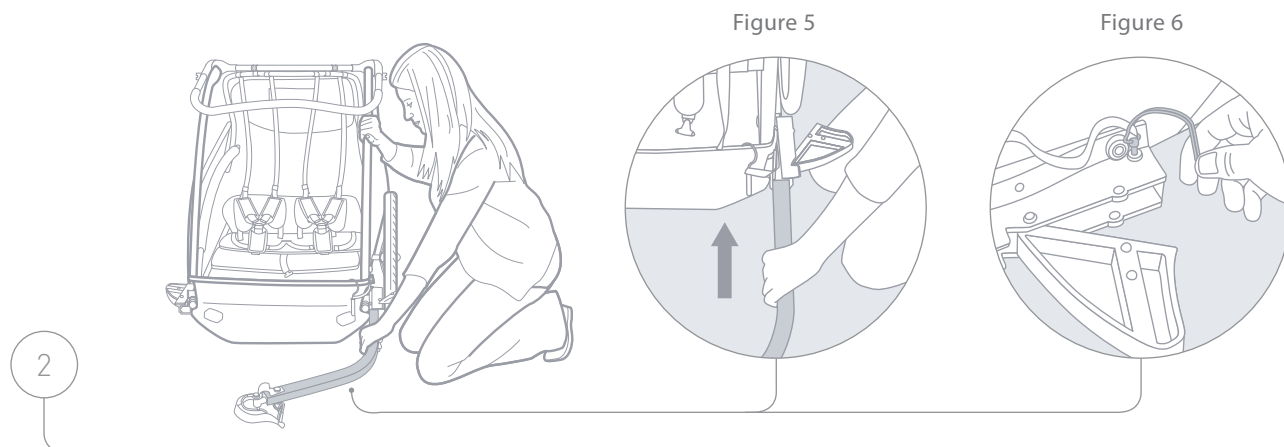


Figure 5

Figure 6

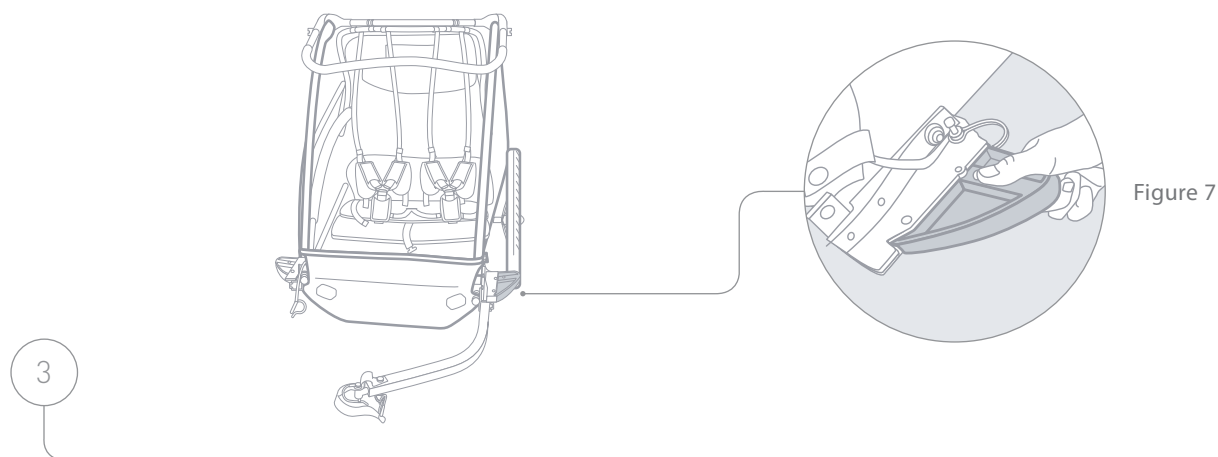


Figure 7

Installing the Tow Bar (D'Lite and Solo)

1. Squeeze buttons on top and bottom of wheel guard to open (Figure 4).
2. Slide tow bar into receiver on left side of trailer (Figure 5) and insert lock pin through holes in tow bar and rear receiver (Figure 6). Close retainer to secure lock pin.
3. Close wheel guard to secure tow bar (Figure 7).



Figure 8

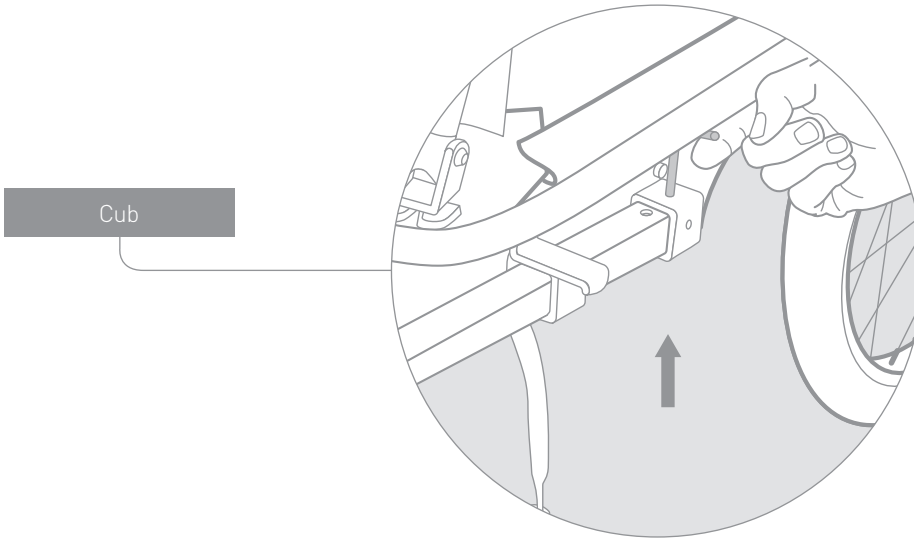


Figure 9



Figure 10

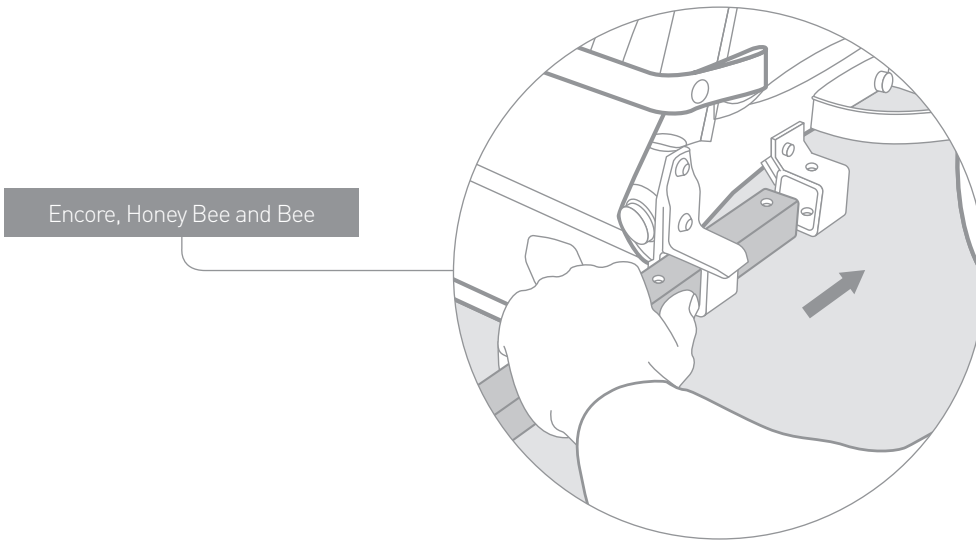
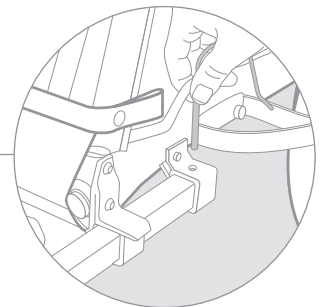


Figure 11

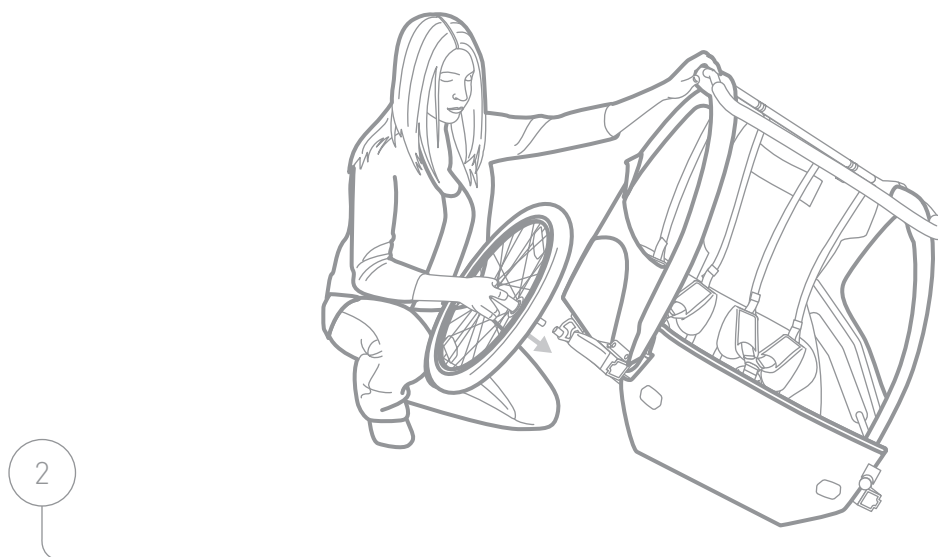
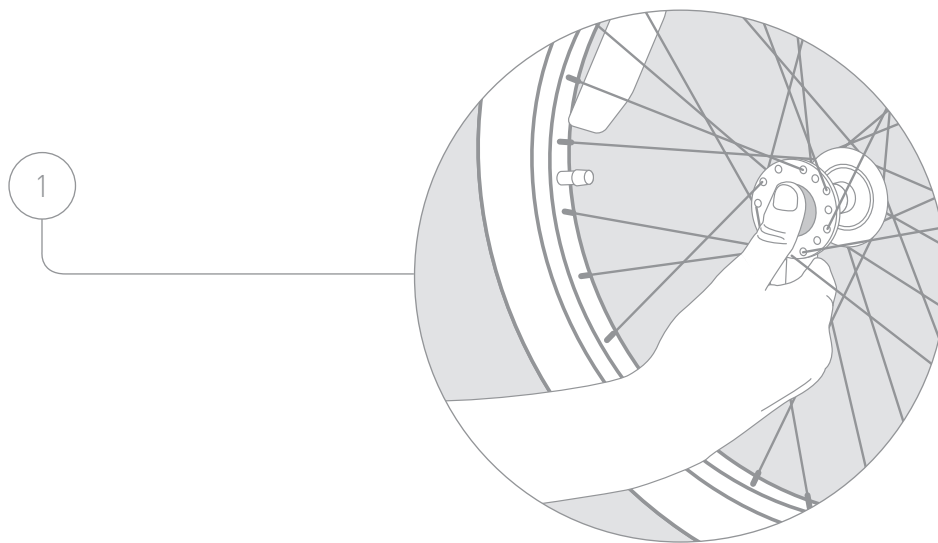


Installing the Tow Bar (Cub, Encore, Honey Bee and Bee)

Cub: Slide tow bar into receiver on left side of trailer while holding pin up (Figure 8). Insert pin through hole in tow bar. Clip top of bent pin into tow bar mount to lock. Insert other lock pin from the bottom of the tow bar (Figure 9). Close retainer to secure lock pin.

Encore, Honey Bee and Bee: Slide tow bar into receiver on left side of trailer while pressing down on the button (Figure 10). Insert lock pin through the rear tow bar receiver and the hole at the end of the tow bar (Figure 11). Close retainer to secure lock pin.





Attaching the Wheels

1. Push in the rubber button on the outside of the wheel hub.
2. Insert wheel axle into axle receiver. Pull firmly on wheel to confirm the axle is fully engaged.



Figure 12

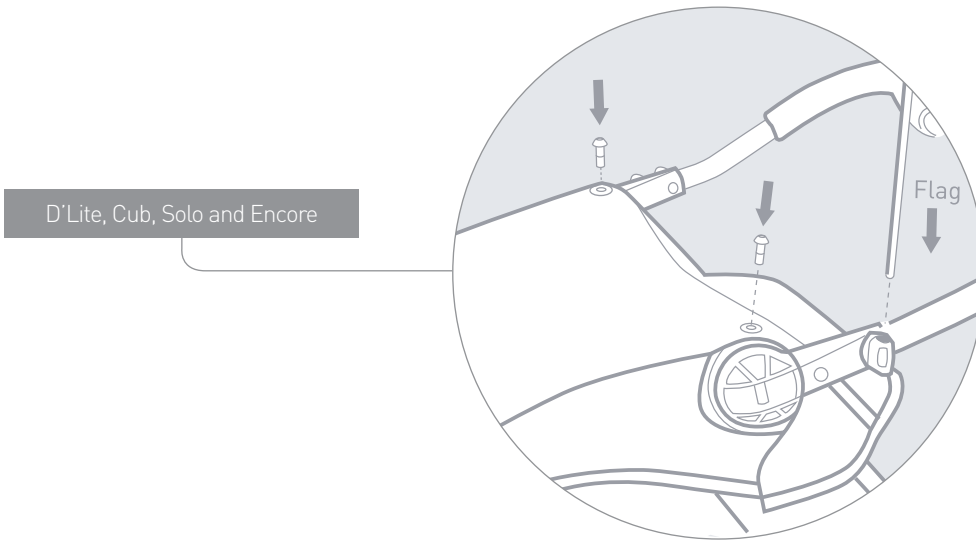


Figure 13

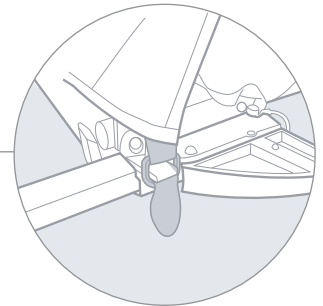


Figure 15

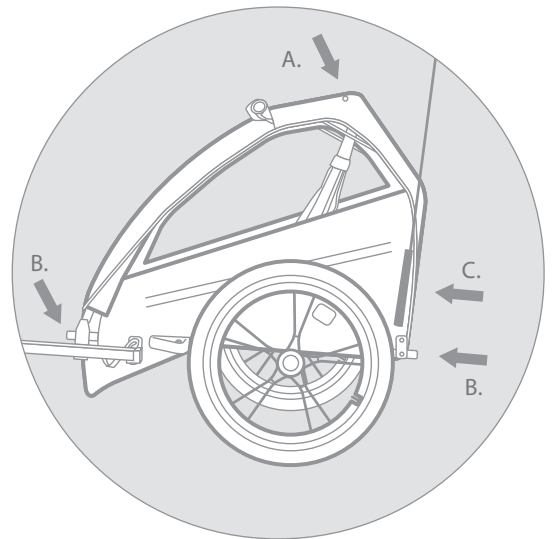
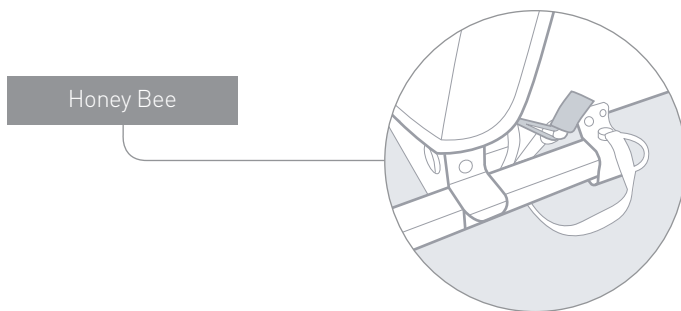


Figure 14



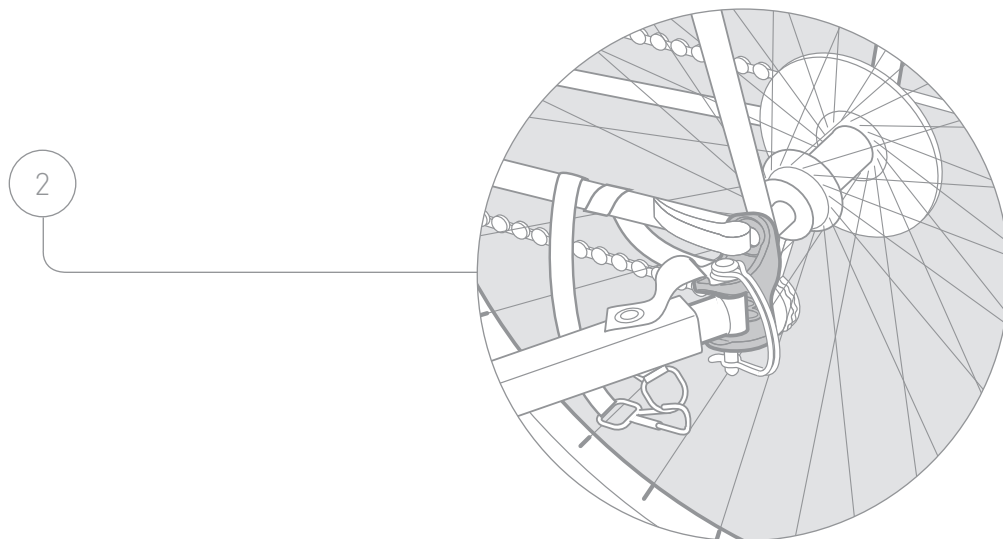
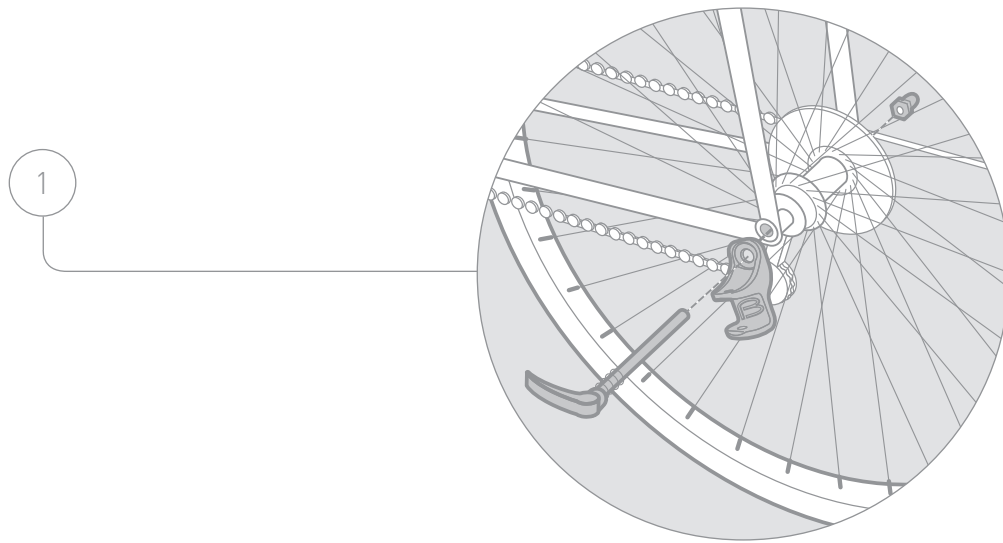
Honey Bee

Bee

Attaching the Cover and Safety Flag

1. **D'Lite, Cub, Solo and Encore:** Attach cover to trailer using provided screws and insert safety flag into circular knob on handlebar (Figure 12). Slip the cover D-rings over the hooked corners of the tow bar receivers (Figure 13).
2. **Honey Bee:** Attach cover to trailer using provided screws and insert safety flag into circular knob on handle bar (Figure 12). Fasten velcro to the bottom rear of the trailer. On the trailer front corners, slip the tabs over the plastic hooks (Figure 14).
3. **Bee:** Attach cover at top using snaps (Figure 15, A). On the trailer front and back slip the cover elastic pull tabs over the ends of the frame tubes (B). Insert safety flag into sleeve located on the back left side of the trailer (C).





Hooking up Your Trailer

- 1. Installing the hitch to your bike:** Remove quick-release or nut from the left side of bike's rear wheel axle. Install hitch between quick-release or nut and frame. Tighten the quick-release or nut following manufacturer's recommendation. The hitch can remain on the bike when trailer is removed.
- 2. Hooking the tow bar to the hitch:** Insert flex connector in between the two holes on the hitch. Insert lock pin and close retainer. Wrap safety strap around the frame of the bike twice and latch to the D-ring on the tow bar.



Figure 16

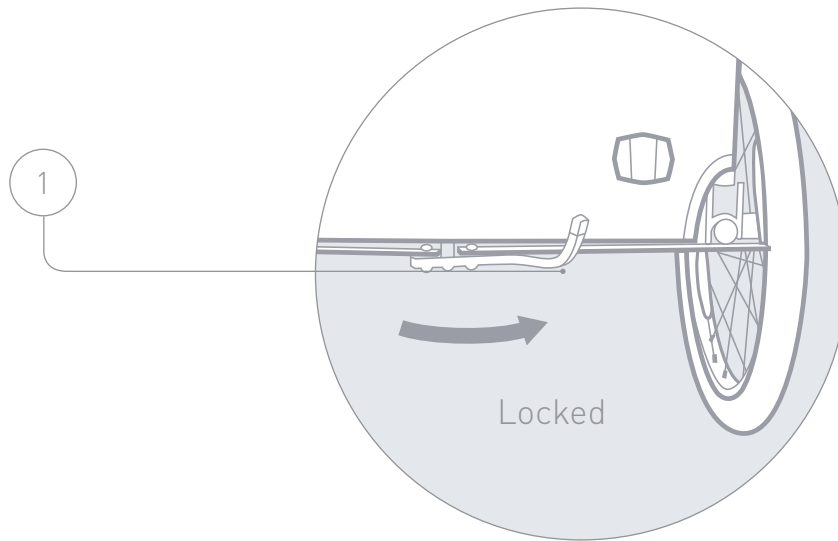


Figure 17



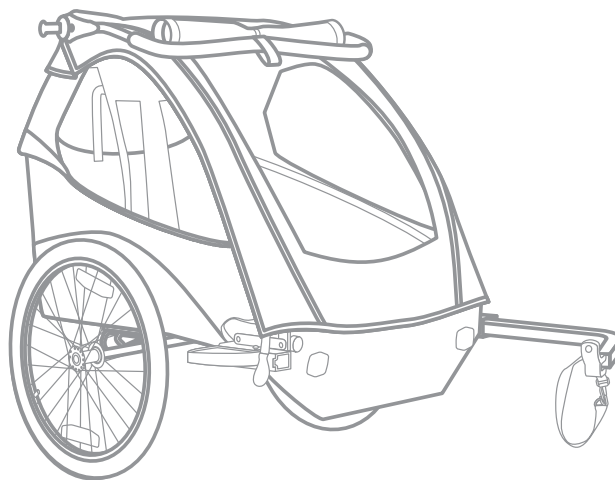
NOTE: The Bee has a single lap belt for both children.

Setting the Brake and Securing Your Child

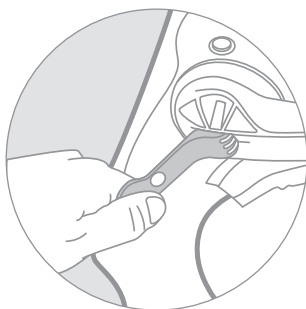
- 1. Setting the parking brake:** Pull the lever to the right (Figure 16). Pull it to the left to unlock (brake not found on all models).
- 2. Securing your child:** Before loading or unloading your children, set the parking brake or hold the trailer in place. After loading, secure and adjust the harnesses. When using a double trailer with one child, always seat the child in the center position (Figure 17). Snap shoulder strap buckles into Y-buckle positioned at the child's sternum. Fasten and adjust lap belt(s) to fit securely. Adjust the reclining seat as needed using the webbing buckles on the back of the seat (D'Lite, Solo, and Cub only).



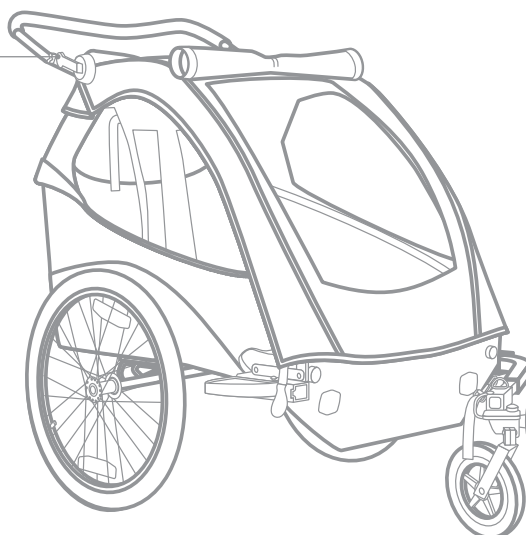
1



Figure



2



Adjusting the Roll Bar

1. **Tow mode:** Always rotate the roll bar forward at least 4 inches (100mm) above the top of your child's helmet when trailer is in towing mode.
2. **Stroll / Jog mode:** The roll bar* may be rotated to serve as a handlebar while trailer is in strolling or jogging mode. Pull lever to rotate (Figure 18).

*The roll bar lever tension is optimally adjusted from the factory. If the roll bar slips when lifting up or pushing down – or if it makes excessive noise when rotating – the lever tension can be fine-tuned by releasing the lever, squeezing the outer bar mounts together and turning the barrel nut on the side opposite the lever.



Before You Ride

Check before each use:

1. Wheels are properly secured to the trailer
2. Tires are inflated to recommended pressure on tire side wall
3. Tow bar is properly secured to trailer
4. Hitch is properly secured to the bicycle
5. Hitch and tow bar lock pin retainers are secured
6. Hitch safety strap is properly installed
7. Load does not exceed 100 lbs (45 kg) for double child trailers or 75 lbs (34 kg) for single child trailers
8. Weight of tow bar at hitch is greater than 2 lbs (1 kg) but does not exceed 20 lbs (9 kg) with fully loaded trailer
9. Bicycle is in proper working order, especially brakes and tires
10. All passengers are wearing a helmet
11. Safety flag is in place
12. Child(ren) are properly secured with harness and lap belt
13. Cover is installed and closed

Check monthly:

- Inspect tow bar, hitch, frame tubing, flex connector and hardware for damage
- Check that bolts are tight
- Inspect tires and wheels for wear and cracks
- Inspect wheels for trueness and cracks
- Inspect fabric parts for rips, abrasions, and missing or damaged hardware

Contact your authorized Burley dealer for replacement of any damaged or worn parts.

Maximum Capacities

Single Child Trailers: 75 lbs (34 kg), one child + cargo

Double Child Trailers: 100 lbs (45 kg), one or two children + cargo

Maximum seated height of child: 24.5 in (62 cm)

Always comply with local regulations for maximum trailer weight. Maximum overall weight (trailer + cargo + passengers) is 60 kg in Germany.



Safety Guidelines

- Recommended speed limits:
 - **15 mph** (24 km/h) on smooth, straight roads
 - **5 mph** (8 km/h) when turning or on uneven roads
- Children must be able to sit upright without support and have adequate neck strength to support their heads before being carried in a trailer. Consult a pediatrician to determine if a child is of sufficient developmental age to be carried in a bicycle trailer
- Maximum age of passenger is 7 years old
- Passengers must wear a bicycle helmet that meets applicable safety standards
- Always ride with the cover down to protect children from flying debris
- When using a double trailer with one child, always seat the child in the center position
- Make sure children cannot put fingers, clothing, toys or shoelaces into the wheel spokes
- Check children frequently, especially during hot or cold weather
- Never leave children unattended
- The rider of the bicycle must be at least 16 years old
- **DO NOT** use a car seat in trailer without a Burley-approved adapter
- **DO NOT** use with a total load that exceeds the weight limits
- **DO NOT** make modifications to the trailer

It is recommended that a qualified bicycle mechanic does a safety check of the towing bicycle before attaching the trailer. Before each ride, be sure the trailer does not interfere with braking, pedaling or steering of the bicycle. It is recommended that a rearview mirror be used on the bike.

Always comply with local regulations when using the trailer on public roadways. Never ride a bicycle at night without adequate lighting. Obey all local legal requirements for lighting. The red reflectors that came with the trailer must remain attached and visible at all times. If you need to come to a stop for any reason, such as to check on your child, to make adjustments or to address a flat tire, be sure to pull off of the road completely.

Because of the trailer's weight, a bicycle pulling a trailer is heavier and less responsive. Avoid rocks, curbs, hard braking and sudden swerving. Experiment with the loaded trailer in an uncongested area until you become familiar with how your bike handles towing a trailer. Avoid riding over obstacles with one wheel – as this may cause the trailer to tip over.

Use good judgment when deciding if weather, road or traffic conditions are safe to use a Burley. Recommended temperature limits for using a Burley trailer are 20°F to 100°F (-7°C to 38°C).

Failure to comply with the instructions and safety guidelines in this manual could result in serious injury or death of the passenger or rider.



Maintaining Your Burley

Folding the Trailer:

- Remove passengers and cargo
- Remove the tow bar and both wheels
- Fold roll bar flat with top of trailer
- Release upper side-squeeze buckle behind the seat (Encore only)
- Release frame latches and push the rear frame under the front frame
- Place the wheels and tow bar in the trailer
- NOTE: damage to windows can occur if trailer is folded with wheels installed

Storage:

For longer product life, store trailer indoors. If trailer is stored outdoors, protect the trailer with a Burley storage cover. The trailer should not be stored at temperatures less than -10°F (-23°C) or greater than 150°F (65°C).

Fabric Care:

Hand wash fabric parts with warm water and mild soap or detergent. **DO NOT** use bleach or solvents. Line-dry trailer cover. Wipe dry and store out of direct sunlight in a dry, well-ventilated area. Clean windows with a damp, soft cloth.

Burley Limited Warranty

Burley Child Trailers are warranted from date of purchase against defects in materials and workmanship as follows: fabric parts for one year, frame and plastic parts for five years.

Your original dated sales or delivery receipt showing the date of purchase is your proof of purchase. If a defect in materials or workmanship is discovered during the Limited Warranty period, we will, at our sole option, repair or replace your product at no cost to you. This warranty is only valid in the country in which the product was purchased. The Limited Warranty extends only to the original retail purchaser of this product and is not transferable to anyone who obtains ownership of the product from the original purchaser. The Limited Warranty does not cover claims resulting from misuse, failure to follow the instructions, installation, improper maintenance and use, abuse, alteration, involvement in an accident, and normal wear and tear. The Limited Warranty does not cover products which are used in rental operations and Burley will not be liable for any incidental or commercial damages relating to such use. TO THE GREATEST EXTENT PERMITTED BY LAW, THIS LIMITED WARRANTY IS EXCLUSIVE AND IN LIEU OF ANY OTHER WARRANTY, WRITTEN OR ORAL, INCLUDING BUT NOT LIMITED TO ANY EXPRESS OR IMPLIED WARRANTY OF MERCHANTABILITY OR FITNESS FOR A PARTICULAR PURPOSE. The duration of any implied warranties, including any implied warranty of merchantability or fitness for a particular purpose that may exist during the express warranty period are expressly limited to the limited warranty period. Some states and countries do not allow limitations on how long an implied warranty lasts; therefore, the above limitations and exclusions may not apply to you. THE CUSTOMER'S EXCLUSIVE REMEDY FOR BREACH OF THIS LIMITED WARRANTY OR OF ANY IMPLIED WARRANTY OR OF ANY OTHER OBLIGATION ARISING BY OPERATION OF LAW OR OTHERWISE SHALL BE LIMITED AS SPECIFIED HEREIN TO REPAIR OR REPLACEMENT, AT OUR SOLE OPTION. IN ANY EVENT, RESPONSIBILITY FOR SPECIAL, INCIDENTAL AND CONSEQUENTIAL DAMAGES IS EXPRESSLY EXCLUDED. Some states do not allow the exclusion or limitation of incidental or consequential damages, so the above limitation or exclusion may not apply to you. This Limited Warranty gives you specific legal rights, and you may have other rights that vary from state to state or country.

For warranty service or replacement part information for the USA or Canada, please contact Burley directly by calling 800-311-5294 or emailing burley@burley.com. For warranty service or replacement part information outside the USA and Canada please contact the place of purchase for warranty service. Please be prepared to provide the product model, serial number and a description of the warranty issue.

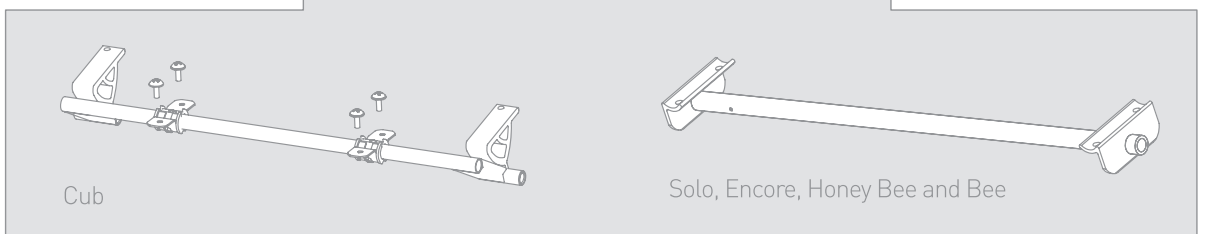
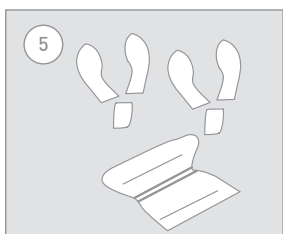
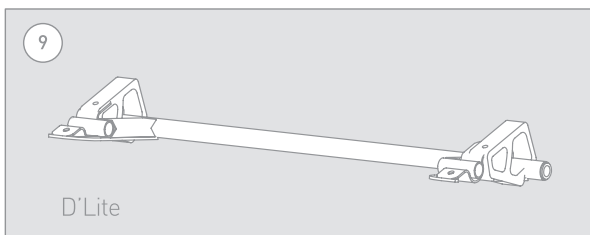
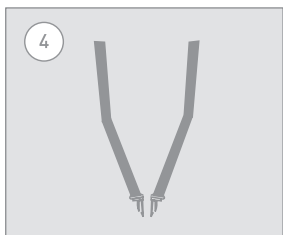
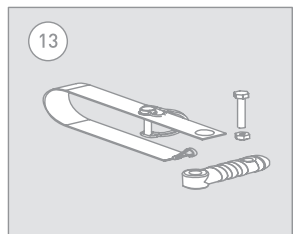
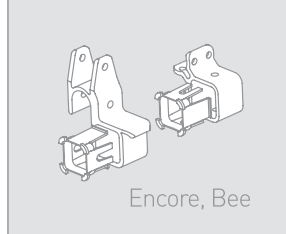
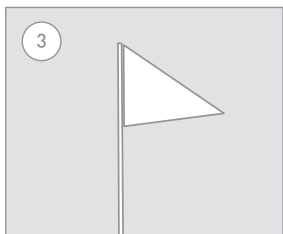
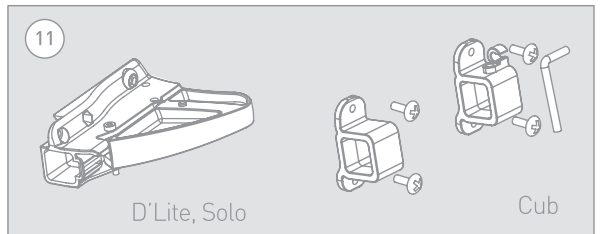
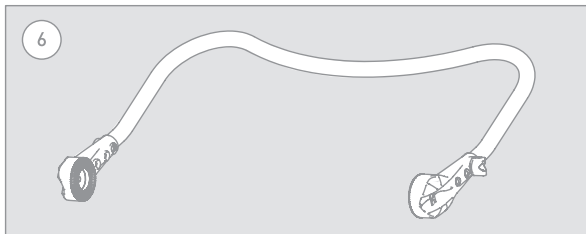
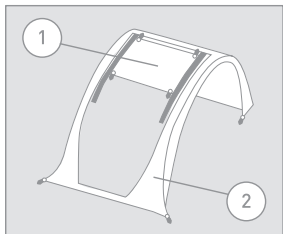
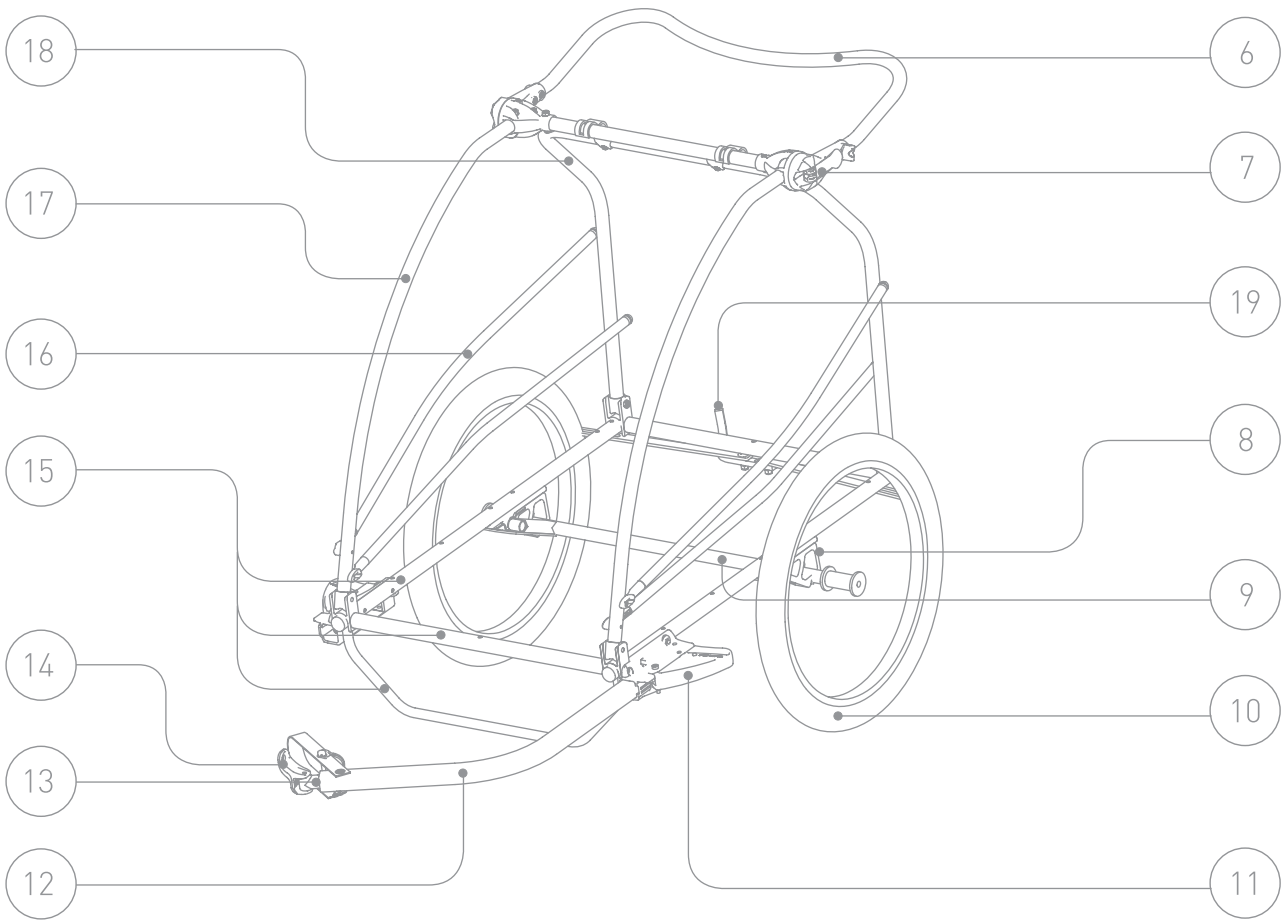
Some replacement parts may be available for purchase after this limited warranty expires. Please visit us at www.burley.com or call us at 541-687-1644 for more information.



Replacement Parts

Diagram Number	Description	Part Number					
		D'Lite	Cub	Solo	Encore	Honey Bee	Bee
1	Sunshade	950170	950170	950169	960031	n/a	n/a
2	Cover	960070 (red)	250388	960075 (red)	250418	250350	250105
		960069 (orange)		960074 (orange)			
		960067 (yellow)		960072 (yellow)			
		960068 (green)		960073 (green)			
		960071 (blue)		960076 (blue)			
3	Safety flag	960009	960009	960009	960009	960009	960009
4	Shoulder safety strap (one pair, for one child)	950127 (grey)	950127 (grey)	950127 (grey)	950004 (black)	950127 (grey)	950004 (black)
5	Pad Set for seat, harness, & crotch strap	950143	950120	950144	950158	n/a	n/a
6	Handle Bar (Handle Bar tube, outer handle bar clamps and flag holder)	120001	120075	120095	120075	120075	n/a
	Flag holder (not shown) (includes bolt & nut)	120096	120096	120096	120096	120096	n/a
7	Handlebar lever, rod, & barrel nuts	950154	950154	950161	950154	950154	n/a
8	Suspension Elastomer Replacement Kit (pair)	950160	4262403	n/a	n/a	n/a	n/a
9	Axle assembly (includes elastomers on D'Lite, Cub)	950086	950104	950145	950153	950153	950153
10	Wheel (includes push button axle, tire, reflectors) (SOLD INDIVIDUALLY)	160068	160050	160069	160029	160029	160029
11	Tow Bar Receiver Kit, left	950075	950001	950075	950005	950005	950005
	Tow Bar Receiver Kit, right (not shown)	950108	950001R	950108	950005	950005	n/a
12	Tow bar assembly (tow bar, safety strap, flex connector)	250229	250209	250228	250027	250027	250027
13	Flex connector with safety strap	950038	950038	950038	950038	950038	950038
14	Forged standard hitch	960041	960041	960041	960041	960041	960041
15	Lower Frame Kit (L & R main frame tubes, front & rear cross frames, bag holder, hinges, hardware)	950155	n/a	950146	950147	950147	950015
16	Batten Kit, Upper (pair) (D'Lite only)	950140	n/a	n/a	n/a	n/a	n/a
	Batten Kit, Lower (pair) (D'Lite only)	950141	n/a	n/a	n/a	n/a	n/a
17	Frame assembly, front (tubes, latches).	950149	950152	950150	950162	950162	950166
18	Frame assembly, rear (tube, plastic saddles)	950165	250050	950080	950012	950012	950012
19	Brake Kit	950113	250266	950061	950112	950112	n/a
	Wheel Guard Kit (not shown)	n/a	n/a	n/a	250160	250160	250160
	Seat (not shown)	250391	250389	250393	250416	250348	250417
	Floor/side panels (not shown)	250390	250173	250392	250419	250349	250422







BURLEY DESIGN: 1500 Westec Drive, Eugene, OR 97402

P.541.687.1644 800.423.8445 F.541.687.0436

burley@burley.com burley.com