

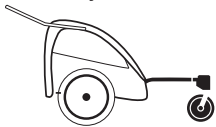
BURLEY®

child trailer

Burley Bee™ and Honey Bee™
Owner's Instruction and Safety Manual

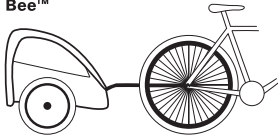
Designed For One
Or Two Children

Honey Bee™

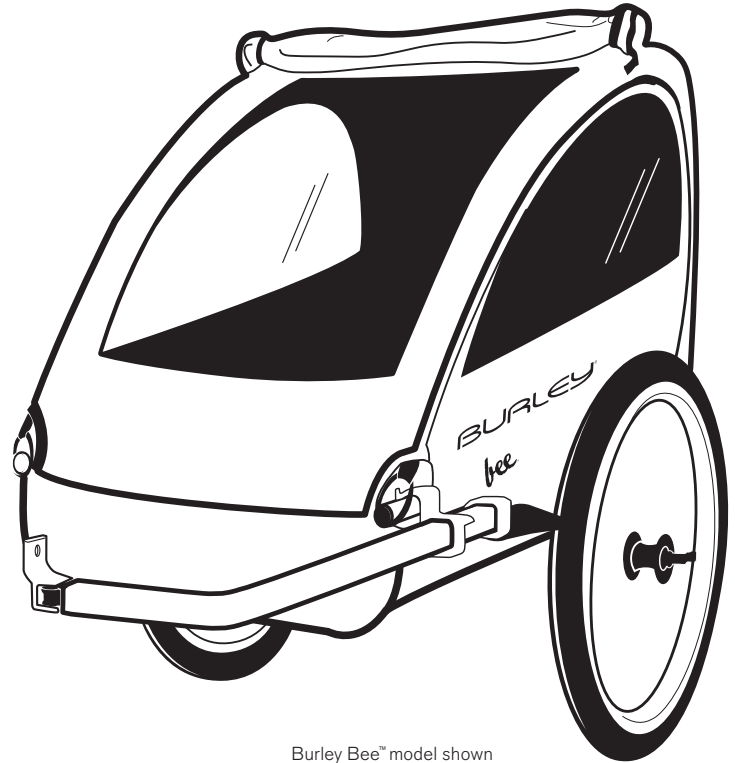


- stroller
- bicycle trailer

Bee™



- bicycle trailer



Burley Bee™ model shown

BURLEY[®]

child trailer

Burley Bee™ and Honey Bee™ Owner's Instruction and Safety Manual

Contents

- 3** Introduction
- 3** Safety Guidelines
- 4** Tool List
- 4** Opening Your Trailer
- 5** Attaching the Seat
- 5** Mounting Reflectors
- 5** Installing Wheel Guards
- 6** Attaching Wheels
- 6** Using Parking Brake (Honey Bee)
- 6** Installing and Operating Tow Bar
- 7** Using Stroller (Honey Bee)
- 8** Attaching Handle (Honey Bee)
- 8** Installing Safety Flag
- 8** Installing Cover
- 9** Using Seat Harness
- 9** Hitching Trailer to Your Bicycle
- 10** Safety Checklists
- 10** Maintenance and Storage
- 11** Replacement Parts and Diagram
- 12** Warranty

Congratulations!

Your Burley® trailer is the leading choice of discriminating bicycle trailer owners worldwide. Every effort has been made to ensure your purchase is of top quality and proven design, ready to provide you with many years and miles of happy, safe trailering.

Please go to www.burley.com to register your warranty information.

IMPORTANT:

IT IS VERY IMPORTANT FOR YOU TO FAMILIARIZE YOURSELF WITH YOUR BURLEY BY READING THIS ENTIRE MANUAL BEFORE USE. IF YOU HAVE ANY QUESTIONS, PLEASE CONTACT YOUR AUTHORIZED BURLEY DEALER.

Introduction

Once you've done the initial assembly and read the safety guidelines, you're ready to go! Before trailering, be sure you have the safety harness, seat belt, tow bar, trailer wheels and hitch securely attached.

Note: Any reference to left or right is made in direction of travel, as if you were sitting inside trailer, looking forward.

WARNING

BICYCLING WITH A TRAILER, AND BICYCLING IN GENERAL, CAN BE HAZARDOUS. FAILURE TO OBSERVE ANY OF THE SAFETY GUIDELINES IN THIS MANUAL COULD RESULT IN ACCIDENT AND SERIOUS INJURY OR DEATH.

Safety Guidelines

1. Inspect and maintain your bicycle and trailer regularly. See "Safety Checklists".
2. Because of the trailer's additional weight, a bicycle pulling a trailer is heavier and less responsive. Avoid sudden swerving, rocks and curbs. Experiment with the loaded trailer in an uncongested area until you become familiar with it.
3. The minimum age for the cyclist is 16 years.
4. The maximum trailer load limit for children and/or cargo is 100 lbs/40 kg (in Europe). Load children and/or cargo securely in the center, forward of the axle and as low as possible.
5. The trailer seat is intended for 1 or 2 children who are old enough to wear helmets, sit upright and alone, and with adequate neck strength to hold their heads upright while trailering. A physician should evaluate anyone who is of questionable developmental age for trailering.
6. The maximum age for passengers is 6 years (Honey Bee) or 3 years (Bee). Never carry a child whose sitting height (with helmet) is above the roll bar.
7. Fasten the seat belt and shoulder harnesses so that each child is held securely. Seat a single child in the center. Periodically check the placement of the shoulder straps, especially on sleeping children.

8. Make sure children cannot put a finger into the wheel spokes.
9. Instruct children not to bounce or lean, as a weight shift could cause trailer to tip over.
10. To protect children from flying debris, always use your cover. Open or close the window cover to keep your children comfortable. Never leave children unattended. Check children frequently, especially during hot or cold weather.
11. Observe recommended speeds: a maximum of 15 mph/24km/h on smooth, straight roads and 5 mph/8km/h or less when turning or on uneven roads.
12. Use your parking brake (Honey Bee) or bring the trailer to a complete stop before removing your children or cargo.
13. Never pull your trailer with a motorized vehicle.
14. Cyclist and passengers must wear helmets.
15. Only use factory-supplied wheels, with the tires inflated to the pressure recommended on the tire side wall. Check pressure before each use. Do not use higher-pressure or knobby tires.
16. Clamp the hitch securely to the bicycle frame, and check for a tight attachment before each ride.
17. Use the safety flag.
18. Do not make alterations to the trailer. Contact your Authorized Burley Dealer for replacement of any damaged, worn-out or missing parts.
19. Do not use your trailer on icy roads or when inclement weather makes cycling hazardous.
20. The use of a mirror on your bicycle is recommended.
21. For emergencies, breakdowns or flat tires, pull completely off the road and move your children to a safe area before doing repairs.

WARNING

TRAILERS CAN TIP OVER, CAUSING DAMAGE TO TRAILER AND SERIOUS INJURY TO PASSENGERS. AVOID CAUSES OF TIP OVER, ESPECIALLY:

- CHILDREN LEANING OR BOUNCING
- HITTING POTHOLES, CURBS, OTHER ROAD OBSTRUCTIONS
- TAKING TURNS TOO FAST
- SUDDEN SWERVING
- IMPROPER WHEEL INSTALLATION OR TIRE INFLATION

Tool List:

- Bee™ Phillips screwdriver
 Honey Bee™ Phillips screwdriver
 5mm hex wrench
 25mm (or 1") wrench

Opening Your Trailer

Rotate front tube upward and rear tube back until they meet on plastic saddles. **Figure 1** Rotate frame locks and snap onto rear tube. **Figure 2**

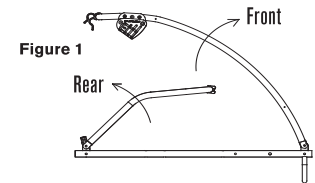
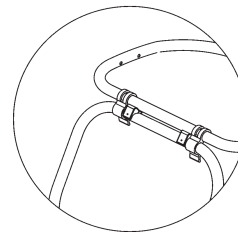


Figure 2
Frame locks snapped into closed position onto rear tube

WARNING

CHECK THAT THE FRAME LOCKS ARE PROPERLY ENGAGED BEFORE USING THE TRAILER. FAILURE TO DO SO CAN RESULT IN SERIOUS INJURY.

Attaching the Seat

Attach hooks on seat sides to D-rings by windows. Always keep these attached while trailering.

Mounting Reflectors

1. Snap posts on red reflectors (C) into bracket openings, and screw together.
2. Loosen screws on reflector brackets. Slide bracket clamps (A) onto rear side sections of main frame tube (B) and tighten screws, with reflectors extending out past trailer sides. **Figure 3**

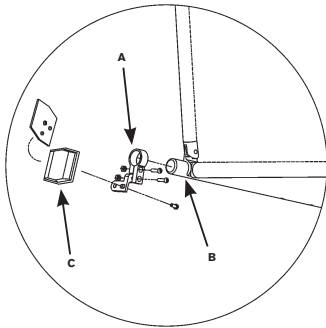
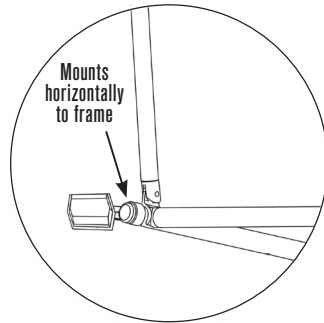


Figure 3



IMPORTANT:

MAKE SURE REFLECTORS FACE OUTWARD. INCORRECTLY INSTALLED REFLECTORS CAN REDUCE VISIBILITY AND CAUSE AN ACCIDENT OR SERIOUS INJURY.

Installing Wheel Guards

Match holes in wheel guards with holes on outside of lower side frames. Install guards using (2) M6 x 35mm screws inserted from inside the frame. Tighten securely. **Figure 4**

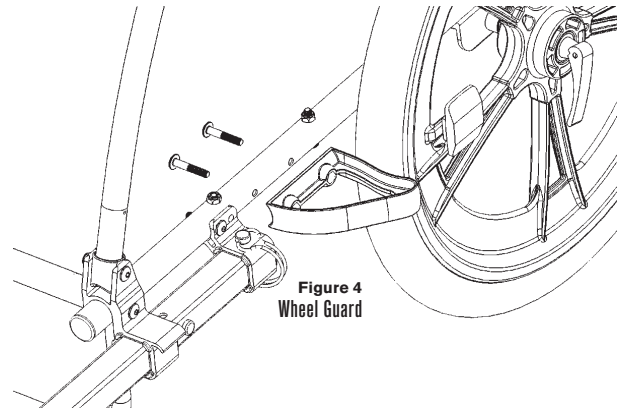


Figure 4
Wheel Guard

Attaching Wheels

Insert wheel axle assembly completely into trailer axle. Tighten quick release lever, with lever in “CLOSED” position and aimed at trailer rear. Verify that tires are inflated to pressure marked on tire side wall. Figures 5 and 6

Figure 5

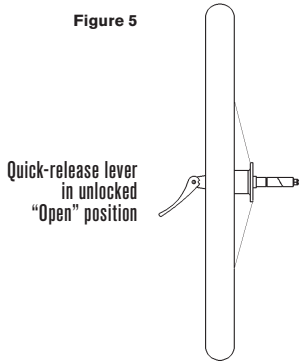
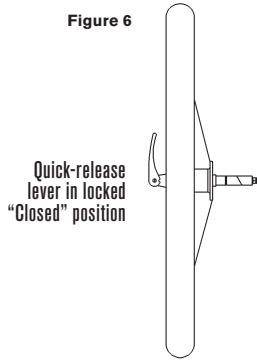


Figure 6



WARNING

MAKE SURE WHEELS ARE HELD SECURELY, WITH WHEEL SHAFT FULLY INSERTED INTO HOLLOW AXLE. YOU SHOULD NOT BE ABLE TO ROCK OR SHIFT WHEELS. IMPROPERLY INSTALLED WHEELS CAN FALL OFF, CAUSING AN ACCIDENT OR SERIOUS INJURY.

Using Parking Brake (Honey Bee)

Engage parking brake by pushing handle to the right. Photo 1

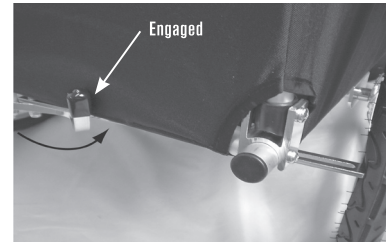
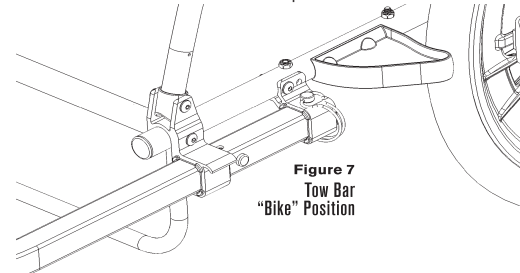


Photo 1

Installing and Operating Tow Bar

1. Slide tow bar through both receptacles on the LEFT side.
2. Line up BACK tow bar hole with rear receptacle hole.
3. Insert retaining pin through rear holes, and lock hoop securely. Figure 7
4. Honey Bee: Engage parking brake and tighten knob to secure stroller wheel in “Bike” position.



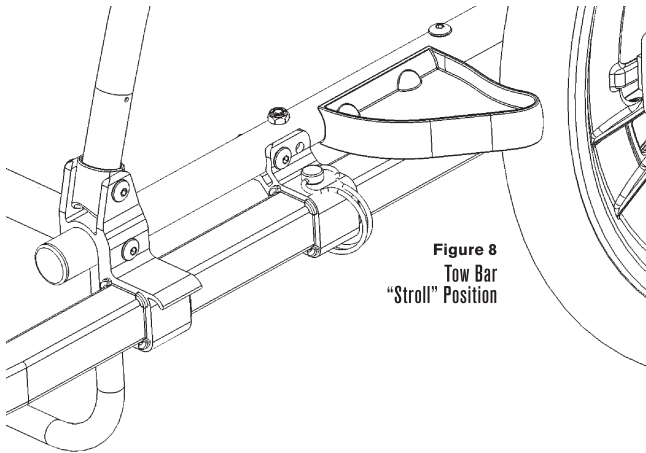
WARNING

NEVER OPERATE TRAILER WITHOUT RETAINING PIN LOCKED IN PLACE. AN UNLOCKED TOW BAR CAN LOOSEN OR DETACH, CAUSING ACCIDENT RESULTING IN SERIOUS INJURY.

Stroller (Honey Bee):

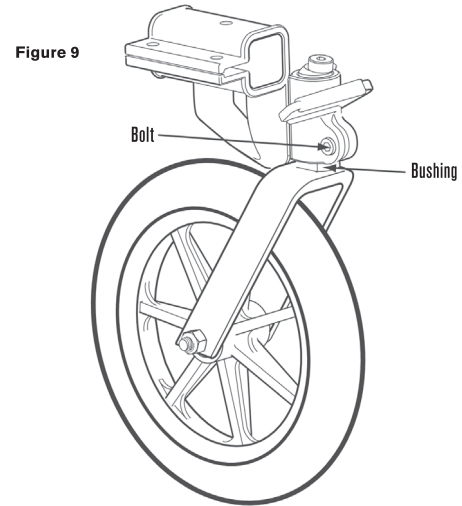
1. Engage parking brake.
2. Place stroller wheel in "Stroll" position and secure by tightening knob.
3. Slide tow bar through both receptacles and line up FRONT tow bar hole with rear receptacle hole.
4. Insert retaining pin through both holes and lock retaining hoop securely. **Figure 8**
5. Test tracking adjustment by pushing trailer. Trailer should roll straight.

Note: For best results, adjust with trailer fully loaded.



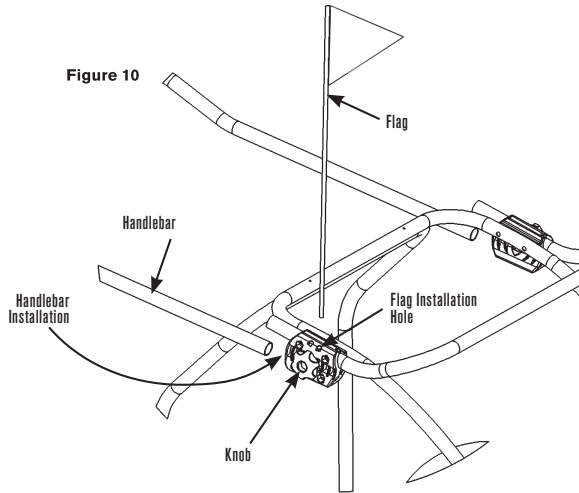
To Adjust Honey Bee Stroller Wheel Tracking:

1. Tighten knob to secure stroller wheel in "Stroll" position.
2. Loosen bolt using 5mm hex wrench.
3. Turn bushing using 25mm (or 1") wrench so that stroller wheel is vertical when viewed from front.
4. Fine tune as necessary, so that trailer rolls straight.
5. Tighten bolt. **Figure 9**



Attaching Handle (Honey Bee)

1. Slide handle into lower handle bar receivers and tighten knobs. To change height position, flip handle over. **Figure 10**



2. Around center of handlebar, slide tether strap end through small loop on other end of strap and tighten securely. **Photo 2**



Photo 2

Installing Safety Flag

Bee

Join two flag sections together. On outer left side of trailer, insert flag pole into flag pocket.

Honey Bee

Insert flag pole into hole in top of LEFT handle bar receiver. **Figure 10**

IMPORTANT:

DO NOT USE TRAILER WITHOUT SAFETY FLAG.

Installing Cover

Bee: Snap cover onto top of frame.

Honey Bee: At top of frame, stretch elastic loops around handlebar mounts.

Both: Attach cover to trailer front and back with fastener strips and O-rings.

Using Seat Harness

WARNING

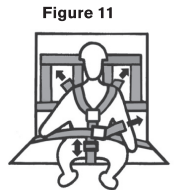
ALWAYS SECURE CHILDREN WITH HARNESS AND LAP BELT DURING USE. ONLY USE THIS SEAT IF YOUR CHILD IS CAPABLE OF SITTING UPRIGHT ALONE. FAILURE TO DO SO COULD RESULT IN ACCIDENT AND SERIOUS INJURY OR DEATH.

IMPORTANT:

SINGLE PASSENGER: MUST BE SEATED IN CENTER POSITION.

One passenger:

1. Place child in seat center.
2. Snap shoulder straps into Y-buckle, with buckle positioned at child's sternum. Adjust straps so that child cannot move too far forward in seat.
3. Fasten and adjust lap belt snugly. **Figure 11**

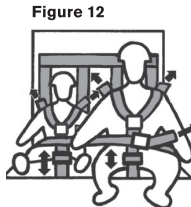


← Adjust and tighten
□ Connect

Two passengers:

For two children, use both shoulder harnesses and two outer crotch straps.

1. Seat first child on one side of seat.
2. Snap shoulder straps into Y-buckle, with buckle positioned at child's sternum. Adjust straps so that child cannot move too far forward in seat.
3. Repeat for second child.
4. Fasten and adjust lap belt snugly. **Figure 12**

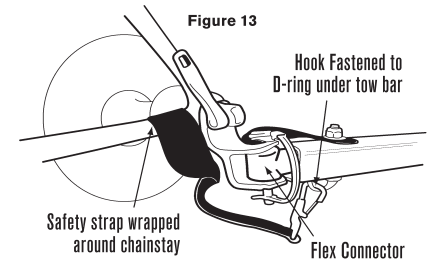


← Adjust and tighten
□ Connect

To remove children, release lap belt and harness buckles.

Hitching Trailer to Your Bicycle

1. Remove quick release lever assembly from bike.
2. Match hole on flat side of hitch upper arm to left (non-chain ring side) rear dropout hole.
3. Reassemble quick release assembly through hitch and dropout loosely.
4. Slide hitch receiver end of tow bar between hitch side arms, and match holes. Racks, bags, or fittings should not interfere with hitch.
5. Open retaining pin and insert through holes. Rotate and close spring clip.
6. Tighten and close quick release lever, with lever pointing to rear of bike.
7. Wrap safety strap twice around inside of chain stay and then over hitch body. Fasten hook to D-ring on underside of tow bar end. **Figure 13**
8. To remove trailer from bicycle, unfasten D-ring and retaining pin.



WARNING

QUICK RELEASE LEVER MUST BE IN CLOSED POSITION AND HITCH SAFETY STRAP PROPERLY INSTALLED. HITCH MUST NOT INTERFERE WITH RACKS, BAGS OR FITTINGS. INSPECT HITCH AND TOW BAR FREQUENTLY FOR DAMAGE OR LOOSE FASTENERS. DAMAGED, IMPROPERLY INSTALLED OR INTERFERING PARTS CAN CAUSE ACCIDENTS RESULTING IN SERIOUS INJURY.

Safety Checklists

Before Each Ride:

- Wheels tightly attached
- Tires inflated to recommended pressure on side wall
- Hitch properly secured with safety strap in place
- Locked retaining pin for tow bar
- Maximum load 100 lbs/40 kg (in Europe)
- Bicycle safety check, especially brakes and tires
- Helmets for passengers and cyclist
- Safety flag in place
- Seat fastened securely to trailer
- Children properly secured with harnesses and lap belt

Monthly Checklist

- Inspect tow bar, hitch, frame tubing, flex connector and hardware for damage
- Inspect tires for wear and cracks
- Inspect wheels for trueness and cracks
- Inspect wheel bearings for wear
- Inspect fabric parts for rips, abrasion, or missing or damaged hardware
- Contact your Authorized Burley Dealer for replacement of any damaged or worn-out parts

Maintenance and Storage

Hitch and Tow Bar Maintenance

Store trailer indoors if possible. Do not use or store trailer at temperatures below 32°F (0° C), as hitch flex connector can become brittle and possibly break, causing accident resulting in serious injury.

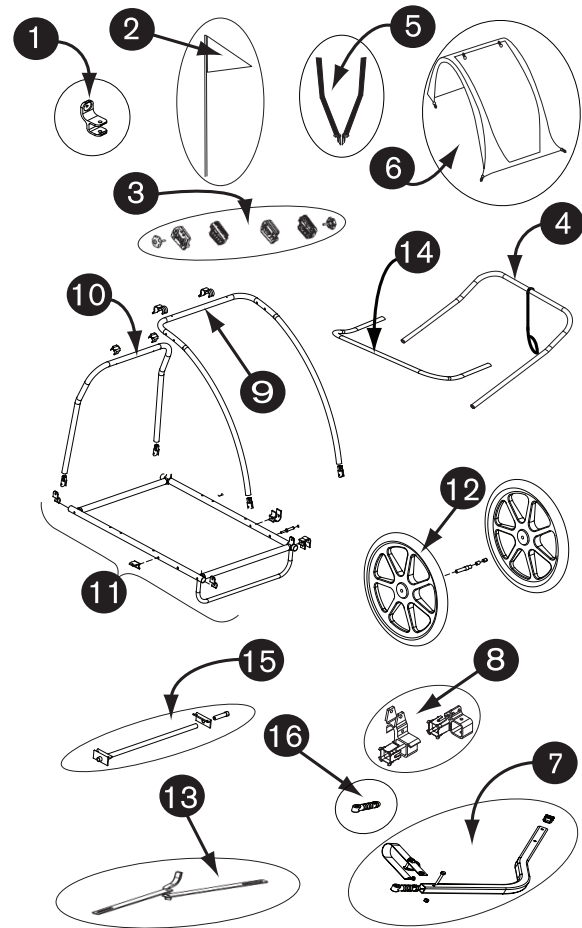
Fabric Care

Hand wash fabric parts with mild soap or detergent and warm water. For heavy soiling, use a nylon bristle brush. Do not use bleach. Line-dry trailer cover. Polyester fabric will eventually fade, especially when exposed to direct sunlight. Wipe dry (to help avoid mildew) and store out of direct sunlight in a dry, well-ventilated area, or use a Burley Trailer Storage Cover to protect your trailer. Cover window may crack if trailer is stored below 32°F (0°C). Replace any damaged parts.

2008 Honey Bee and Bee Replacement Parts and Diagram

Diagram #	Honey Bee Part #	Bee Part #	Description	Warranty
1	960000	960000	Standard Hitch	5 years
2	960009	960009	Safety Flag	1 year
3	950003	n/a	Handle Bar Clamp Kit	3 years
4	250033	n/a	Handle Assembly w/Tether	5 years
5	950004	950004	Shoulder Safety Strap (Set of 2)	1 year
	250102	250107	Seat (NOT SHOWN)	1 year
	250101	250106	Side Panel/Bag with windows (NOT SHOWN)	1 year
6	250100	250105	2-in-1 Cover	1 year
	250103	n/a	Cargo Net (NOT SHOWN)	1 year
7	250027	250027	Tow Bar Assembly (tow bar, safety strap, flex connector)	5 years tow bar 3 years- flex connector /safety strap
8	950005	950005	Tow Bar Receiver Kit	3 years
9	950008	250108	Frame Assembly, Front (tube, frame locks, hinge)	5 years
10	950012	950012	Frame Assembly, Rear	5 years
11	950015	950015	Lower Frame Kit (Main frame L & R with pivot pin, front and rear cross frame)	5 years
12	160011	160011	Wheel (quick release, reflectors, tire, axle, wedges, lock nut, inner tube) (SOLD INDIVIDUALLY)	3 years
13	950021	n/a	Brake Assembly	5 years
14	250032	n/a	External Roll Bar	5 years
15	950016	950016	Axle Receiver Kit with Handle Receiver	5 years
	250160	250160	Wheel Guard Assembly (set of 2) (NOT SHOWN)	3 years
	960026	n/a	Stroller Kit (NOT SHOWN)	3 years
16	950038	950038	Flex Connector for Square Tow Bar	3 years

Please go to www.burleygear.com for updated product parts list and diagrams



Burley Trailer Limited Warranty

Burley trailers are warranted from date of purchase against defects in materials and workmanship under normal use and service. Burley will repair or replace parts it determines to be defective as follows: fabric parts for one year, plastic parts for three years and durable frame parts for five years. The Burley trailer owner must present the trailer for repair at place of purchase, with an original sales receipt or similar proof of purchase. This warranty applies only to the original owner and is nontransferable. Burley can not be responsible for failure due to improper assembly, modification of parts or instructions, neglect, abuse, accident, and/or normal wear. The warranty does not cover any trailer used for rental, competition, or commercial use.

Burley neither assumes nor authorizes any person to assume any other liability in connection with this Burley product, and there are no oral agreements or warranties collateral to or affecting this agreement. This warranty gives you specific rights. You may also have other rights which vary by state or country.

BURLEY®

BURLEY DESIGN, LLC

4020 Stewart Rd. Eugene, OR 97402

PH 541.687.1644 800.423.8445 FAX 541.687.0436

burley@burley.com • www.burley.com

Copyright © 2007 by Burley Design LLC

"Burley" is a registered trademark of Burley Design LLC

"Bee," and "Honey Bee" are trademarks of Burley Design LLC

Rev 11/07 170037 manual bee, honey bee 08 r1