



# Burley-Encore<sup>TM</sup>

## OWNER'S INSTRUCTION & SAFETY MANUAL

### Contents

SECTION	PAGE
Introduction	2
I. Hardware Bag Contents and Tool List	3
II. Mounting the Reflectors	3
III. Installing the Quick-Release Levers	4
IV. Attaching the Wheels	4
V. Unfolding and Folding Your Burley-Encore	6
VI. Using the Seat Harness	8
VII. Completing Assembly	10
VIII. Hitching the Burley-Encore to Your Bicycle	10
IX. Trailer Maintenance and Care	11
X. Safety Guidelines	12
XI. Safety Checklists	17
XII. Parts List and Drawing	18
Warranty	20

## **Congratulations!**

You've just purchased the Burley-Encore child trailer. Every effort has been made to ensure your purchase is of top quality and proven design, ready to provide you with many years and thousands of miles of happy, safe trailering.

**IMPORTANT:** Because some of the features and guidelines for using the Burley-Encore merit close attention, it is very important that you familiarize yourself with the trailer by reading this manual all the way through before use. If you have any questions we encourage you to contact your Burley dealer.

---

---

## **Introduction**

Your Burley dealer needs only to mount the reflectors, install the quick-release levers, attach the wheels, and unfold the trailer. One you've read the safety guidelines, you're ready to go. Subsequent folding and unfolding can easily be done in less than a minute, with no tools required.

This manual is written sequentially to assist initial assembly. In addition to mounting the reflectors and installing the quick-release levers, your Burley dealer will perform safety checks on your Burley-Encore, and demonstrate wheel attachment, folding, and use of the seat harness, safety flag, cover, and hitch. We request that you read this manual from start to finish before use, and then refer to it as necessary in the future.

**NOTE:** Any reference to left or right is made in the direction of travel, as if you were sitting in the child seat looking forward.

## **When Loaning or Selling Your Trailer**

If you loan or sell your Burley-Encore, supply the new user with this manual. They must familiarize themselves with all sections—especially sections "X. Safety Guidelines" and "XI. Safety Checklists" prior to use. It is essential that they understand the differences between riding a bicycle with a trailer and without one. It is also essential that they understand correct wheel attachment, folding, and use of the harness, safety flag, cover, and hitch. Always ensure that both adult and child are wearing helmets. Never loan your trailer if it is need of maintenance or repair.

---

# I. Hardware Bag Contents and Tool List

**BURLEY DEALER:** Please verify that you have received all of the contents listed. Do not proceed with assembly if any parts are missing; contact Burley immediately for replacement parts.

## Hardware Bag Contents

### Wheel Reflectors:

- (2) wheel reflectors, clear
- (4) #8 x 1/2" bolts
- (4) #8 nuts
- (8) #8 washers

### Frame Reflectors:

- (2) front reflectors, clear
- (2) rear reflectors, red
- (4) self-tapping screws

### Quick-Release Levers:

- (2) Quick-release levers

### Envelope:

Trailer Checklist

Warranty Card

*Burley-Encore Owner's Instruction & Safety Manual*

## Tools required

- 5/16", 8mm, or small adjustable wrench
- Phillips or flathead screwdriver

---

# II. Mounting the Reflectors

You'll find the following parts in the hardware bag:

- (4) #8 x 1/2" bolts
- (4) #8 nuts
- (4) #8 washers

Fasten the reflectors to the plastic hinges located on the front and rear corners of the main frame using the self-tapping screws found in the hardware bag. (Note the designation "Top" on the back of each reflector.)

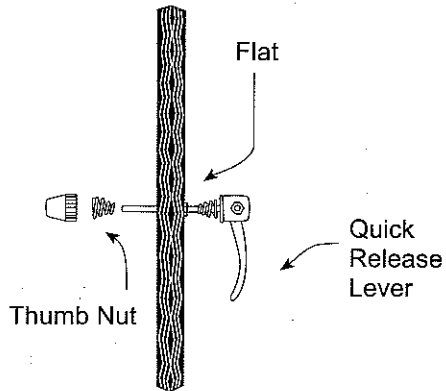
Red reflectors go on the rear and clear reflectors go on the front of the trailer. Bolt the wheel reflectors to the wheels using the bolts, nuts and washers provided. Place a washer beneath the bolt head and beneath each nut.

---

### III. Installing the Quick-Release Levers

In the bag with the reflectors you'll find two quick-release levers. Install these through the hollow axle of the wheel. Make sure the lever is on the nuted side of the wheel, and the long axle and the thumb nut on the other side. This keeps the wheel away from the fabric side panel. The springs are mounted on each side as shown in the illustration below.

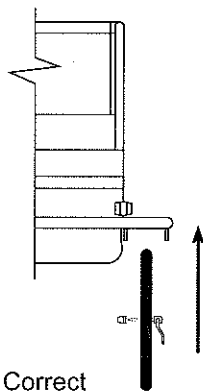
The quick-release lever must be on the nuted axle side of wheel, and thumb nut on the opposite side. This ensures that the lever will be on the outside when wheel is properly installed.



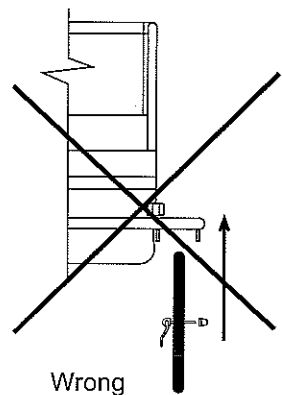
---

### IV. Attaching the Wheels

First, verify that the tires are inflated to 30-35 P.S.I. Next, tip the trailer frame on its back end. If you are working on a rough or dirty surface, lay down a cloth or other protective barrier to avoid damage to your trailer. Move the quick-release lever to the unlocked position and place the wheels into the dropouts, making certain that the axles go all the way into the slots.



The quick-release lever and nuted side of the wheel must be installed toward the outside of the trailer.

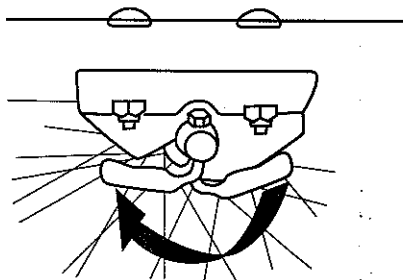


**IMPORTANT:** Wheels must be installed so that tires are offset *away* from side panels, closest to outer frame. Bolts sticking out from inner frame at rear are designed to interfere with improper installation of wheel. These wheels are a unique feature of Burley trailers; they create a wider track, and thus a more stable trailer.

Once the wheels are fully seated in the dropout slots, the quick-release lever should be positioned so that it operates in the fore and aft direction. The lever is marked for open or closed positions. Tighten the right-hand wheel by moving the lever from the front (open) to the rear (closed) position. Tighten the left-hand wheel by moving the lever from the rear (open) to the front (closed) position. Use the thumb nut to adjust for correct spacing of the quick-release lever.

When properly adjusted, you will feel resistance halfway through tightening the lever (when the lever is pointing straight out away from the trailer). If you are unfamiliar with the use of quick-release levers, contact your Burley dealer for a demonstration.

The quick-release lever operates in fore-aft direction (with lever below the axle). The drawing shows left-hand wheel in the closed position.



## **⚠ WARNING**

Make sure wheels are held securely; you should not be able to rock or shift wheels. Improperly installed wheels can fall off, causing accident and serious injury.

## **⚠ WARNING**

Only use the 20 x 1.75 wheels supplied with Burley-Encore. Do not operate with tires inflated above 35 P.S.I. Failure to comply can cause trailer tip over, resulting in accident and serious injury to cyclist or passengers.

---

---

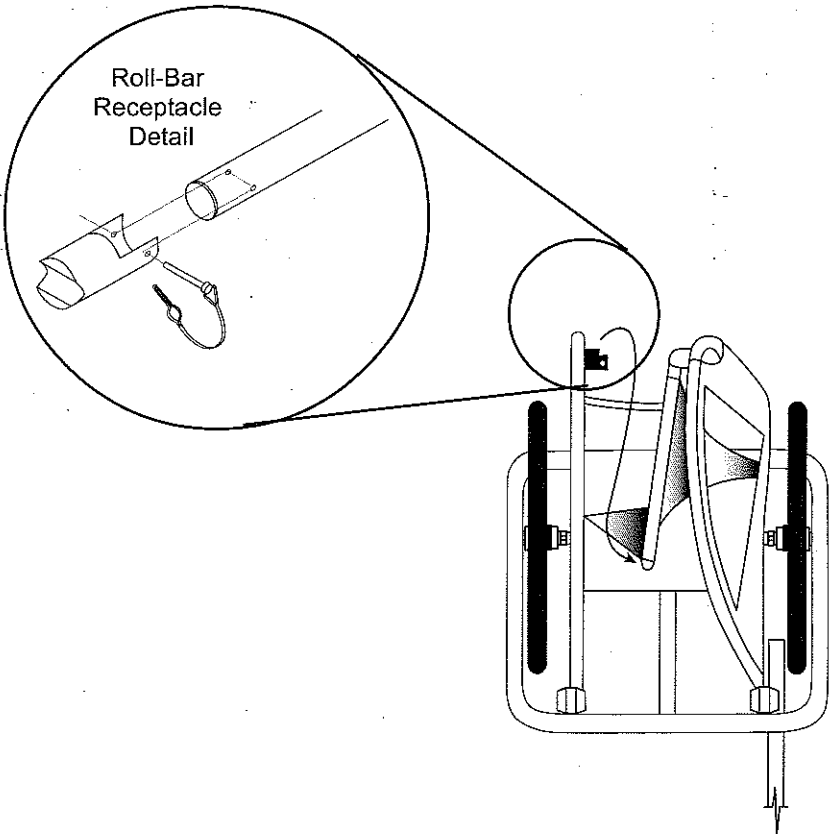
## V. Unfolding and Folding Your Burley-Encore

Your Burley-Encore is designed with a lightweight aluminum frame, complete roll cage, and bright-colored nylon software. Setting it up or folding it down is accomplished in a few easy steps as follows:

### Raise the Side Panels

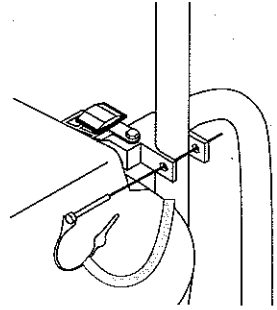
With the trailer frame lying flat, unfold the two side panels so that they are vertical. You will find the roll bar lying against the left side panel. Raise it to a horizontal position and pull it into the right roll-bar receptacle at the top of the right side rail. Slip the safety pin through the hole in the roll-bar receptacle to lock the roll bar in place. Refer to the illustration on the following page showing locked position of the safety pin.

**IMPORTANT:** Connect the snap hooks on the back of the seat to the D-rings at the rear of the side panels in the cargo area. Only release the right snap hook when folding the trailer.

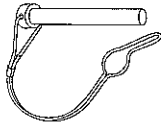


## Swing Tongue and Hitch into Place

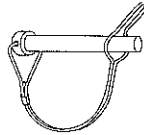
Tip your trailer frame on its back end. If you are working on a rough or dirty surface, lay down a cloth or other protective barrier to avoid damage to your trailer. Swing the tongue 180° forward, so that it snaps into the plastic tongue receptacle at the front frame. Slip the safety pin through the hole in the tongue receptacle to lock the tongue in place. Refer to the illustration below for correct use of the safety pin. The elastic (bungee) cord is provided to hold the tongue and keep it from moving when folded.



Swing tongue completely into receptacle. Do not operate without safety pin locked in place.



Open



Locked

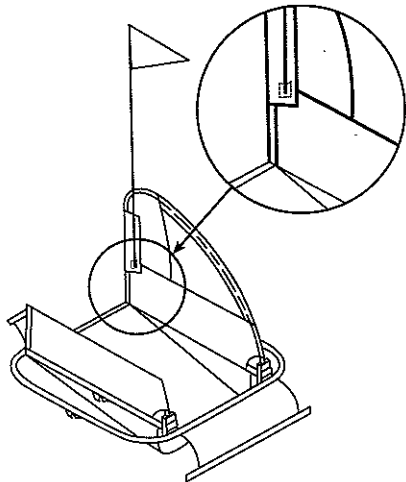


## WARNING

Both safety pins must be locked in place before using trailer, otherwise roll bar or tongue could shift and cause accident and serious injury.

## Installing the Safety Flag

Insert the safety flag pole into the vertical casing of the left side panel on the outside of the aluminum side rail. Note that there is a black fabric tab sewn on the inside at the bottom of the side panel casing. Slip the flag pole into this tab to hold the flag securely.



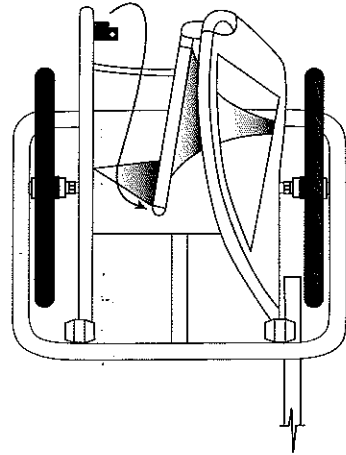
## Folding Your Burley-Encore

Folding your Burley-Encore is basically the reverse of unfolding it. Familiarize yourself with unfolding the trailer as outlined above. To fold your trailer:

1. Remove the cover.
2. Remove the safety flag.
3. Remove the safety pin at the roll bar and disconnect the right snap hook on the back of the child seat. Fold the roll bar against the side panel in front of the seat. Fold the left side panel first, then the right side panel.
4. Remove the wheels and store them in a safe area.
5. Remove the safety pin at the tongue/hitch receptacle and fold the tongue hitch back 180°. Hold the tongue down using the bungee cord.

We recommend reinserting the safety pins in their receptacles for storage or transport to avoid snagging.

You can partially fold your Burley-Encore as needed. Your options are to fold only the side panels, fold only the tongue and hitch, remove the quick-release wheels, or any combination of the above. Do not operate your Burley-Encore in a partially folded condition.



---

---

## VI. Using the Seat Harness

**IMPORTANT:** The trailer seat is intended only for children old enough to wear a helmet and sit upright by themselves. Your child must have enough neck strength to hold his or her head up while trailering.

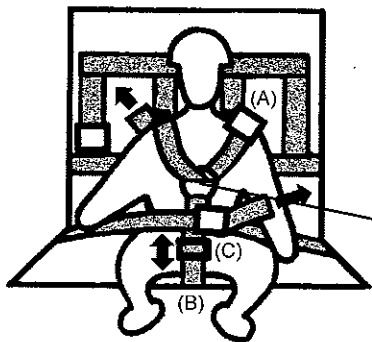


### **WARNING**

Junction of shoulder strap and crotch strap must be positioned at child's sternum to work correctly. Belts or buckles near your child's neck can cause discomfort or serious injury. Check child periodically to make sure that he or she has not slipped from correct seated position.

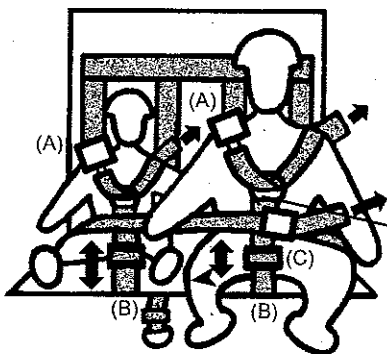


Thread each shoulder strap through the back of each O-ring located on the crotch strap and connect buckle (A) at opposite shoulder. Tighten as necessary. Adjust the crotch strap (B) so the O-ring is at the child's sternum. Be sure to connect and tighten the lap belt (C) after connecting the shoulder straps.



**Single Passenger:** Seat single child in center of seat and use right side shoulder strap and center crotch strap. Fasten shoulder harness to buckle at shoulder (□). Adjust and tighten at arrows (↗).

Crotch strap O-ring must meet at child's sternum.



**Two Passengers:** For two children, use both shoulder harnesses and two outer crotch straps. Fasten shoulder harnesses to buckles at shoulder (□). Adjust and tighten at arrows (↗).

Crotch strap O-ring must meet at child's sternum.

## **WARNING**

Child and cyclist must wear helmets when trailering. Helmets can prevent or significantly reduce head injury in event of accident.

**IMPORTANT:** Connect the snap hooks on the back of the seat to the D-rings at the rear of the side panels in the cargo area. Only release the right snap hook when folding the trailer.

---

## VII. Completing Assembly

At this time your trailer is nearly assembled. Snap the fabric tail gate and splash guard to the upper snap studs on the side rails if you haven't already done so. It's easier to snap these when the trailer is folded, and they can remain snapped in place during folding and unfolding.

The elastic bungee cord is handy for securing odd-sized loads. When not in use, carry it by hooking it across the side rails in back. The bungee cord is also intended to be used for strapping down the tongue and hitch when the trailer is folded, to prevent the tongue from moving. Pull it across the tongue and hook it to the bolts on the inner frame (near the rear of the trailer).

Your 2-in-1 Cover is held in place by eight snaps at the front, rear, and top. Note that the cover has a front and a rear; the tinted window goes to the rear of the trailer. Always use your cover to keep debris out of (and toys inside) the trailer when it's in tow.

You're done! Please go back over these directions and recheck your work.

**IMPORTANT:** Read and study sections "VIII. Hitching the Burley Encore to Your Bicycle," "Safety Guidelines," and "Safety Checklists" before using your Burley-Encore.

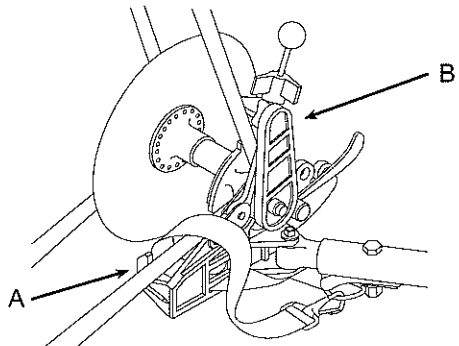
---

## VIII. Hitching the Burley-Encore to Your Bicycle

The trailer hitch was designed to quickly and safely attach to virtually all types of bicycles. It is inserted in front of the left rear dropout of your bicycle.

### Hitching the Trailer to Your Bicycle

Loosen the knob on the eyebolt until the two arms are spread fully apart. Slip the lower hitch arm under the chain stay (A) and the upper arm above the seat stay (B). Wedge the hitch cone all the way back into the angle formed by the stays at the wheel. Tighten the knob until the arms are firmly clamped against the stays. Wrap the safety strap around the inside of the chain stay, over the hitch body, and back to the D-ring at the end of the tongue.



Make sure that the cone is wedged securely into the stays. Do not overtighten the knob. The hitch should not move, but should allow the bicycle complete movement, including lying it down on the ground. It should clear any racks, bags, or fittings you have on your bicycle. If there is any interference, contact your Burley dealer.

**IMPORTANT:** Remove trailer from your bicycle when it's not in use to prevent deforming the plastic hitch.

## **WARNING**

Do not operate trailer without hitch safety strap properly installed. A dangling safety strap can contact spokes and damage rear wheel or cause accident resulting in serious injury.

## **WARNING**

Hitch must seat properly into stays and not interfere with racks, bags, or fittings. Inspect hitch and tongue frequently for damage or loose fasteners. Interfering parts or damaged hitch can cause accident resulting in serious injury.

## **WARNING**

Do not use or store trailer at temperatures below 32° Fahrenheit as hitch rubber flex connector can become brittle and possibly break, causing accident resulting in serious injury.

---

## **IX. Trailer Maintenance and Care**

### **Hitch and Tongue Maintenance**

Your trailer is designed for low maintenance and easy care. Clean and grease the eyebolt threads on the hitch periodically to ensure that the eyebolt knob can be properly tightened.

Because of ultraviolet degradation, we recommend that the hitch be replaced every five years under normal use. In sunny or smoggy locations or for trailers that are stored outdoors, the hitch should be replaced every two to three years for safety. Replace your hitch or tongue if there are any signs of damage—i.e., cracks, dents, scratches.

## Fabric Care

Your Burley-Encore is manufactured from a tough, durable nylon packcloth. The fabric is coated for waterproofness and is resistant to fading. The fabric can be easily cleaned with any mild soap or detergent and warm water. For more persistent soil, use a nylon bristle brush. When not in use, store your trailer in a dry, well-ventilated area; wipe it dry before storing to help avoid mildew.

Nylon fabric will eventually fade, especially when exposed to direct sunlight. To extend the life of your fabric, as well as the hitch and other components, do not store your trailer in direct sunlight. Do not use bleach for cleaning, as it will damage the nylon. The nylon fabric is an important part of your trailer's structure, and provides a safety envelope for child passengers. Replace any nylon fabric that is ripped, scuffed, or otherwise damaged.



### WARNING

A trailer with damaged or ripped fabric components can permit harmful contact between child and spinning spokes or moving pavement, and cause serious injury. Replace damaged components.

---

## X. Safety Guidelines

Bicycling with a trailer is different from bicycling without one, in ways which aren't always obvious. It is therefore essential that you read and understand all of the following safety guidelines—in addition to the warnings and instructions in the previous sections—prior to using your trailer. Before loaning your trailer to others, make sure they too understand its proper, safe use. Contact your dealer or Burley if any of these instructions are unclear.



### WARNING

Bicycling with a trailer, and bicycling in general, can be hazardous. Failure to observe any of section "X. Safety Guidelines" could result in accident and serious injury or death.

### Use Well-Maintained Bicycle and Trailer

Use a bicycle which is in good working condition, with good brakes. A frequent safety check of your bicycle is essential. Inspect and maintain your trailer as outlined in section "XI. Safety Checklists" of this manual. Have your Burley dealer maintain and inspect your bicycle and trailer if you are not qualified to do so.

## Loading Your Trailer

Do not overload the trailer. Maximum trailer load limit for children and/or cargo is 100 lbs. When placing children or cargo into the trailer, keep the load centered or forward of the axle. Pack the load as low as possible and make sure items cannot shift around. Loose, heavy objects can injure passengers in event of a sudden stop or tip over.

## Starting and Stopping

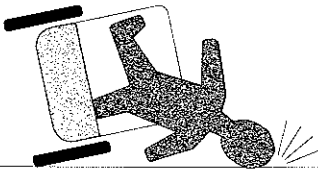
Because of the trailer's additional weight, a bicycle pulling a trailer will be slower to start up and stop, and because of its length it requires more time to cross streets or paths. Your entire vehicle is heavier and less responsive. This means you should think further ahead in anticipating stops, turns, and starts. Note that your trailer extends out further on the left; allow for this difference when turning, passing pedestrians, or approaching obstacles (like posts on bike paths). We recommend you spend some time experimenting with a loaded trailer in a low-traffic area to become familiar with how your heavier, longer vehicle responds.

## Prevent Trailer Tip Over

Just like automobile and motorcycle trailers, bicycle trailers can tip over. To avoid overturning: Do not pull your trailer over curbs or hit holes or other obstructions in the road. Instruct children not to bounce, rock, or lean, which can cause a shift of weight. Do not make high-speed turns or descents when pulling the trailer. Always corner with caution at 5 m.p.h. or less, as the trailer cannot lean into a turn the way a bicycle can. Do not under any circumstances travel faster than 15 m.p.h.—all road irregularities and your slowness to react are greatly magnified.

### **WARNING**

Trailers can tip over causing damage to trailer and serious injury to cyclist or passengers. **AVOID** causes of tip over, especially:



- Children leaning or bouncing
- Hitting potholes, curbs, other road obstructions
- Taking turns too fast
- Sudden swerving
- Off-banked turns
- Improper wheel and/or tire installation

## Fit, Alert, Adult Pilot

To safely pull a trailer, you need to be a fit, experienced cyclist. You must be alert, have good sight and hearing, and adequate strength in your legs,

arms, and hands. Never allow a child or adolescent to pull your trailer because it is likely that they lack the necessary physical ability and judgment.

## **No Headphones or Other Distractions**

Do not bicycle or stroll with headphones, radios, or other distractions. You must be able to hear surrounding traffic, and concentrate on safe bicycling at all times.

## **No Motorized Vehicles**

Your Burley-Encore is only intended for use with pedal-powered cycles; never pull it with a motorized vehicle, as the increased acceleration and speed could damage the trailer or cause the trailer to tip over.

## **Avoid Riding in Traffic**

We recommend against riding in traffic. If you must ride in traffic, do not pull your trailer on highways, busy streets, or on streets unsafe for bicycling with children. Never assume that you will be given the right-of-way, even if it is legally yours. Your child is a precious load; his or her safety should not be entrusted to a car driver whose attention or regard for bike riders is unknown. Use care when pulling your trailer on bike routes or along bike lanes, especially at intersections.

## **Ride on Clean, Paved Surfaces**

Your Burley-Encore is not intended for off-road use. Towing a child off road can be especially dangerous. Any bumps or irregularities could cause tip over and serious injury to the bicyclist or passenger, or damage to the trailer. Cross over railroad tracks, curb cutouts, and road grooves at 90°. Riding parallel or at acute angle to such obstacles can cause a crash, resulting in serious injury.

## **Riding When It's Slippery**

Be especially careful in wet, rainy, or freezing conditions. Your ability to control and stop your bicycle when towing a trailer is greatly impaired. In wet conditions apply your brakes periodically to be sure the rims and brake pads are clear of water. Avoid forceful braking which can cause dangerous skidding. Ride slowly and allow a greater margin of safety when starting, stopping, and turning. Do not ride on surfaces where sand, gravel, ice, oil, or other slippery substances are present; if you must pass over slippery surfaces, walk your bike and trailer.

## **Navigating Curbs, Stairs and Escalators**

Never tow your trailer over curbs; rider must dismount and walk over any curbs. If you must traverse stairs, prevent a hazardous loss of control: have the children get out of the trailer and disconnect it from the bike; carefully

roll your trailer and bike, independently, up or down the stairs. Never take your bike or trailer on escalators.

### **Use Cautiously with Pets**

Your trailer is not designed to secure pets. A cat or other small pet can be towed if they are in a pet carrier secured to the trailer frame. A sedate dog can be towed seated on the trailer floor: add carpet for comfort, always use a cover, and do not exceed 100 lbs. Never tow an excitable dog in your trailer, as it may lunge or try to jump out causing tip over or other accident.

### **Avoid Riding at Night**

Make every effort to schedule your rides so you are not pulling a trailer at night. Because your vehicle is longer and heavier you will be less able to react to unseen hazards. Automobile drivers may not be accustomed to your longer vehicle and may not react to it appropriately. If you must ride at night, wear bright, reflective clothing, use a bright headlight on your bike, and red blinking taillights on both bike and trailer. Do not operate without properly attached reflectors; replace cracked or missing reflectors.

### **Always Use Your Cover**

Affix your 2-in-1 Cover to protect your child from flying debris when pulling your trailer. Never leave a child unattended in direct sunlight because heat buildup in the trailer can cause serious harm. If you have the 2-in-1 Cover, open or close the vinyl cover, depending on the weather, to help keep your child cooler or warmer. Check periodically to ensure that they are comfortable.

### **Cool Weather Use**

When the temperature is 60-70° or colder you may be comfortable without heavy clothing because your pedaling effort helps keep you warm. However, when you consider the child's inactivity sitting in the trailer—coupled with a potential windchill factor—an extra sweater or jacket may be needed for them to keep from getting too cold.

### **Wear Helmets**

Numerous studies have shown that:

- Head injury is the leading cause of bicycling fatalities; and,
- Helmets prevent or reduce bicyclists' head injuries.

For safety, it is essential that both cyclist and passengers use approved bicycling helmets at all times. Don't take chances.

### **Proper Wheels and Tires are Essential**

Use only the factory-supplied wheels, and keep them properly maintained. Inflate tires to 30-35 P.S.I. and check pressure before each use. Do

not use higher-pressure tires, as the trailer will be bouncy and prone to tip over with light loads. We only recommend tires with street tread. Do not use knobbies. For stability, wheels must be offset to the outside of the trailer (with tires close to the outer frame, providing a wider track).

## **Know Your Trailer Hitch**

Clamp the hitch securely to the bicycle frame, and check for a tight attachment each time you use the trailer. Refer to sections "VIII. Hitching the Burley-Encore to Your Bicycle" and "IX. Trailer Maintenance and Care" of this manual for proper installation, use and maintenance of your hitch.

## **Use Your Flag**

Always use the safety flag—it's an essential safety device. The moving flag will help make you more visible to motorists and other cyclists.

## **Protect Your Child**

When pulling a child, use the shoulder harness, lap belt, and child helmet at all times. Always fasten the seat belt so that each child is held securely. For maximum stability and safety, seat a single child in the center of the trailer. Periodically check placement of shoulder straps, especially for a sleeping child. Check that a child cannot put a finger into the wheel spokes.

Be aware that children get thirsty when riding in the trailer. Bring plenty of water, especially on longer rides; keep a full water bottle in the trailer where your children can easily quench their thirst when they desire.

## **Observe Age and Height Restrictions**

The trailer seat is intended only for children old enough to wear a helmet and sit upright alone. Your child must have adequate neck strength to hold his or her head up while trailering. Check with your pediatrician if you are unsure about your child's ability to sit upright and hold his or her head up. Never carry a child whose sitting height (with helmet) is above the roll bar, because their chance of injury is significantly higher in the event of tip over.

## **Follow the Rules of the Road**

Bicycles are vehicles, and are required to observe all rules of the road. Always signal turns and stops; ride with both hands on the handlebars except when signaling. Scan ahead for dangerous situations, and anticipate turning traffic. Watch out for parked cars and opening doors. Never run stop signals, and never ride against oncoming traffic. On bike paths, give audible warning when passing pedestrians from behind. If you are not aware of your local and state bicycle regulations, contact your nearby police or motor-vehicles office for more information. Refer to the owner's manual of your lead bicycle for safe cycling information.



## Have Fun Defensively

Besides being practical and easy-to-use, the Burley-Encore allows people and children to get outdoors for some fun together, rain or shine. The fact that you're getting exercise and fresh air at the same time is an added benefit! So, whether you're going down to the corner store, across town on a picnic, or off for an extended vacation, enjoy your Burley-Encore and remember . . . ALWAYS RIDE DEFENSIVELY!

---

---

## XI. Safety Checklists

### Before Each Ride, Ensure the Following:

- √ Wheels tightly attached.
- √ Tire pressure 30–35 P.S.I.
- √ Hitch properly secured with safety strap in place.
- √ Locked safety pins for tongue and roll bar.
- √ Maximum load 100 lbs.
- √ Bicycle safety check, especially brakes and tires.
- √ Helmets for children & rider.
- √ Safety flag in place.

### Monthly Checklist

- √ Inspect the tongue and hitch for damage, scratches, or loose fasteners.
- √ Inspect tongue pivot for smooth operation: tongue should fold and unfold freely.
- √ Inspect frame tubing and hardware for cracks, damage, or loose parts.
- √ Inspect tires. Worn out or cracked tires can lead to blowout.
- √ Inspect wheels for trueness and cracks.
- √ Inspect wheel bearings for wear.
- √ Inspect fabric cover, child seat, and harness for rips, abrasion, or missing/damaged hardware.
- √ Repair or replace any damaged or worn-out parts.

**IMPORTANT:** Refer to section "IX. Trailer Maintenance and Care" of this manual for additional periodic maintenance. Unless you are a qualified bicycle mechanic, contact your Burley dealer for repairs and maintenance.

# About Burley Design Cooperative

Burley has been supplying products to the bicycle industry since 1975, all of which are designed and manufactured at our Eugene, Oregon shop. As worker-owners of our cooperatively owned business, we bring an uncommon degree of personal pride and attention to our work. Use our products with confidence and satisfaction!

## Burley Trailer Limited Warranty

Burley will repair or replace any original equipment parts it determines to be defective for the life of the trailer. The owner of a Burley trailer must present the trailer for repair at an authorized Burley dealer, together with an original sales receipt or similar proof of purchase. This warranty applies only to the original owner and is nontransferable. Burley cannot be responsible for failure due to improper assembly, modification of parts or instructions, neglect, abuse, accident, and/or normal wear. The warranty does not cover any trailers used for rental, competition, or commercial use.

**Burley neither assumes nor authorizes any person to assume any other liability in connection with Burley trailers, and there are no oral agreements or warranties collateral to or affecting this agreement.**

This warranty gives you specific legal rights and you may also have other rights which vary from state to state.



# BURLEY®

Burley Design Cooperative • 4020 Stewart Rd. • Eugene, OR 97402 USA  
(541) 687-1644 • Fax (541) 687-0436 • [www.burley.com](http://www.burley.com) • [burley@burley.com](mailto:burley@burley.com)

Copyright © 2001 by Burley Design Cooperative  
"Burley" and "Encore" are trademarks of Burley Design Cooperative

♻️ Printed on unbleached 100% recycled paper

rev 10/01