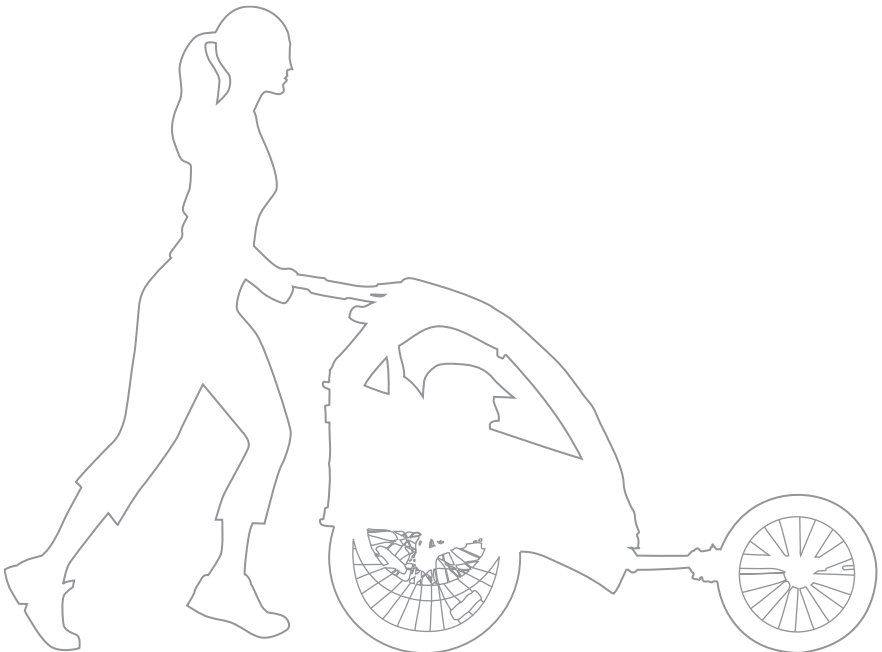




BURLEY®

Owner's Instructions and Safety Manual

# Jogger Kit



Compatible with the following models: D'Lite™ 2004- Present, Cub™ 2008- Present, Solo™ 2007- Present, Encore™ 2005- Present

# Congratulations!

By purchasing the Burley Jogger Kit, you've increased the fun and excitement that you and your family can have with your Burley trailer.

## **IMPORTANT:**

Because some of the features and guidelines for using your Burley merit close attention, it is very important that you familiarize yourself with the Jogger by reading this entire manual and your Burley Trailer manual before use. If you have any questions, please contact your Authorized Burley Dealer or check our website at [www.burley.com](http://www.burley.com).

---

## Table of Contents

Introduction	Pg. 2
Safety Guidelines	Pg. 3
Hardware Bag Contents and Tool List	Pg. 4
Installing the Jogger on Your Trailer	Pg. 4
Wrist Tether Attachment Instructions	Pg. 7
Using Your Jogger	Pg. 7
Maintenance	Pg. 7
Parts Lists and Diagram	Pg. 8
Warranty	Pg. 8

# **WARNING**

**Failure to observe all of the safety guidelines in this manual could result in an accident and serious injury or death.**

## **Safety Guidelines**

### **Protect Your Children**

Never leave your children unattended in the Jogger, and always use the handle bar tether. Use the shoulder harnesses and lap belts to securely hold your children in the Jogger at all times. For maximum stability and safety, seat a single child in the center. Periodically check the placement of the shoulder straps, especially for sleeping children. Make sure children cannot put a finger into the wheel spokes.

### **Loading Your Jogger**

Do not overload your Jogger. The maximum load limit for children and/or cargo are 75 lbs. (34 kg.) for the Solo Trailer and 100 lbs. (40 kg. in Europe) for all other trailers. When placing children or cargo into the Jogger, keep the load centered or forward of the axle. Pack the load as low as possible and make sure items cannot shift. Loose, heavy objects can injure passengers in the event of a sudden stop or tip over.

### **Always Use Your Cover**

To protect your children from flying debris, always use the cover. Never leave your children unattended in direct sunlight, as heat buildup in the trailer can cause serious harm. Open or close the vinyl window and periodically check to make sure your children are comfortable.

### **Proper Wheels and Tires are Essential**

Use only the factory-supplied wheels, and keep them properly maintained. Inflate tires to the pressure recommended on the tire side wall, and check the pressure before each use. Do not use higher-pressure or knobby tires. For a smoother ride, we recommend using tires with street tread.

### **Use Your Flag**

Always use the safety flag—it will help make the trailer more visible.

### **Observe Age and Height Restrictions**

The Jogger seat is intended only for children old enough sit upright and alone. Adequate neck strength is required to hold his/her head upright. A physician should evaluate anyone who is of questionable developmental age for using this Jogger. Never carry a child whose sitting height is above the roll bar, because their chance of injury is significantly higher in the event of a tip over.

### **Jog and Walk on Suitable Surfaces**

Use the Jogger only on paths that are meant for jogging or walking. Do not use it on steep slopes, which make the Jogger unstable. You should be able to maintain traction and control at all times. Do not maneuver the Jogger over stairs or other obstacles while your child is inside. Never use your Jogger with inline or roller skates.

## **Hardware Bag Contents and Tool List**

### **IMPORTANT:**

Please verify that you have received all of the contents listed. Do not proceed with assembly if any parts are missing; contact Burley immediately for replacement parts.

### **Hardware Bag Contents:**

- (1) Quick-release lever
- (1) Brake Cable Clip (Solo)
- (2) Brake Cable Clips (D'Lite and Encore)
- (1) Wrist Tether
- (1) Burley Owner's Manual

**Tools Required:** 10 mm Open end wrench  
Small Phillips screwdriver      5 mm Hex key

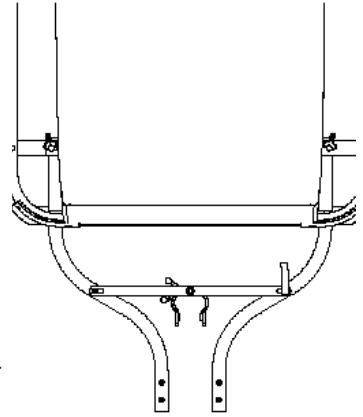
## **Installing the Jogger on Your Trailer**

Only install the Jogger when the trailer is unoccupied. Engage the parking brake on your trailer and detach the trailer tow bar. (See your trailer manual for instructions for removing the tow bar.)

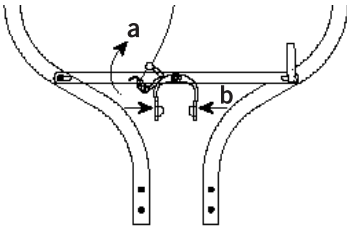
1. Place the Jogger unit in front of the trailer, with the brake on the bottom and the brake pads in the forward position. **Figure 1**
2. Insert the Jogger arms into the front tow bar mounts on both sides of the trailer.
3. Continue to push the Jogger arms into the rear tow bar mounts.
4. Line up the holes in the mounting arms with the holes in the rear tow bar mounts.
5. Insert the retaining pins through the holes and lock them into place.

# ⚠️ WARNING

Never operate the Jogger without the retaining pins locked into place. Unlocked retaining pins can cause the mounting arms to loosen or detach, causing an accident resulting in serious injury or death.



6. Release the Jogger brake by pushing the lever (a) towards the trailer, pushing the brake pads (b) together if necessary. **Figure 2**



7. Insert the wheel quick-release lever skewer through the hub of the wheel, making sure there is a spring on either side of the hub. Screw the nut on loosely.
8. Place the wheel in the wheel dropouts.
9. With the handle perpendicular to the wheel, tighten the nut so that you feel resistance halfway through closing the lever. Do not tighten the quick-release lever by spinning the lever. **Figure 3**

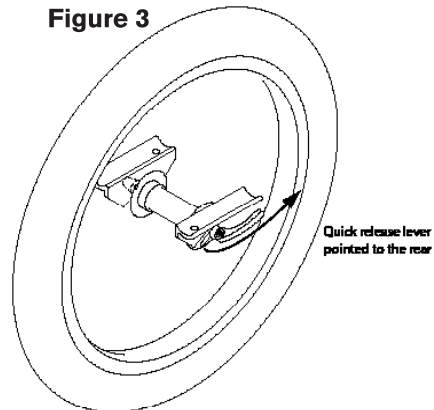
resistance halfway through closing the lever. Do not tighten the quick-release lever by spinning the lever. **Figure 3**

10. Close the quick-release lever. The lever should point to the rear of the Jogger. **Figure 3**

# ⚠️ WARNING

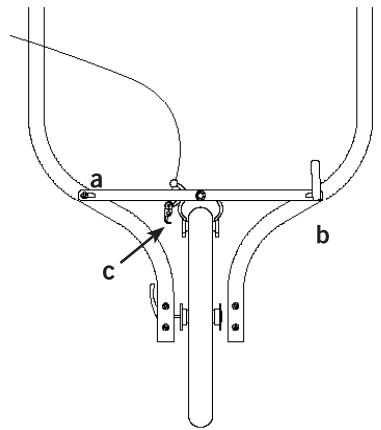
It is important that the wheel be installed correctly. Contact your Authorized Burley Dealer or Burley if these instructions are unclear. An incorrectly installed wheel could result in an accident and serious injury or death.

**Figure 3**

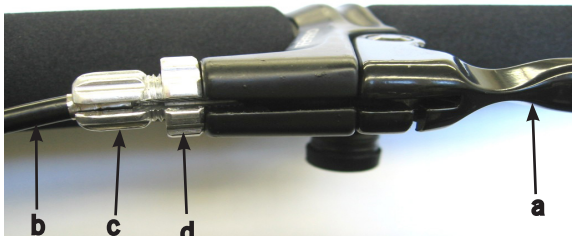


11. Make sure the center bolt on the cross brace

bar aligns with the center line of the wheel. If it is not aligned, loosen the right bolt (a), release the bar quick-release lever (b), and adjust the bar from side to side until the center bolt is aligned with the center of the wheel. Retighten the bolt and close the bar quick-release lever. Engage the Jogger brake by pushing the brake release lever (c), toward the wheel until it is parallel with the wheel (you may need to push the brake pads together). **Figure 4**



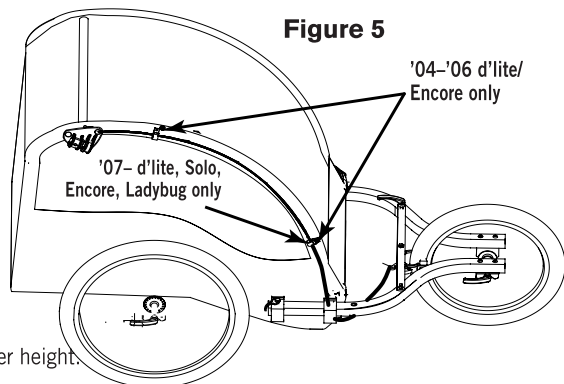
12. For 2010+ trailers, remove the brake lever (a) from the brake cable (b) by aligning the slots on the adjusting barrel (c) and lock ring (d), pulling the housing free of the adjusting barrel, and rotating the



Next, thread the free end of the cable into the bottom of the sleeve that attaches the side window to the upper frame tube. Once the cable emerges from the upper end of the sleeve, reattach it to the brake lever and snug the lock ring against the lever.

13. For '07-'09 trailers, loosen the knob on the upper right side of the handlebar mount. Remove the outer plastic plate. Thread the brake cable along the inside of the handlebar and through the inner plastic plate, above the screw hole. Place the outer plate back into place, and tighten the knob.

**Figure 5**



14. Make sure your handlebar is at the right height for jogging. If necessary, adjust the handle for a better height.
15. If necessary, push the foam on the handlebar to either side and clamp the brake lever to the handlebar, twisting it up or down into a comfortable position.
16. Make your final adjustments. Check that the wheel is aligned with the frame. If it is not, loosen the bolts on the sides of the wheel dropouts, align the wheel and

then tighten the bolts. If the brake assembly is not centered on the wheel, loosen the center bolt on the bar, make the adjustment and tighten the bolt. Also, make sure the brake pads are centered on the wheel rim. If they are not, loosen the bolts on the back of each brake pad, adjust to center the pads on the rim, and tighten the brake pad bolts. If you have any questions about these adjustments, please contact your Authorized Burley Dealer.

## Attaching Wrist Tether

Around the handle bar center, slide the tether strap end through the loop on the other end of the strap and tighten securely. **Photo 1**



## Using Your Jogger

Test your Jogger and become comfortable with it before using it with your children. Secure your children safely as explained in your trailer manual, and never leave them unattended in the Jogger. While using the Jogger you have two braking options: a brake mounted on the handle bar for slowing down while you're running, and a parking brake on the rear of the trailer body. Engage the parking brake whenever you take your children in and out of the trailer.

### **WARNING**

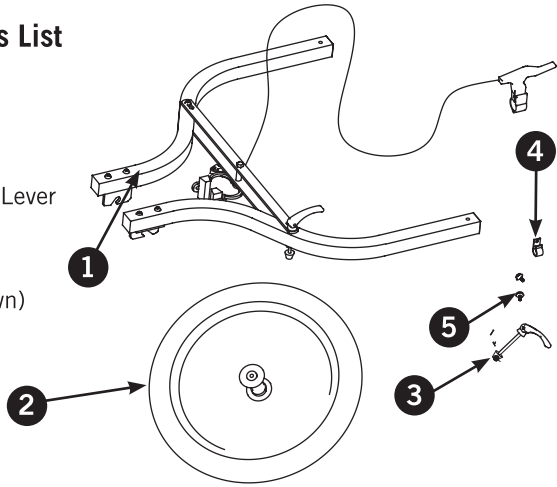
**Never leave your children unattended in the Jogger. Always use your handle bar tether. Failure to do so may cause you to lose control of the Jogger, which may cause an accident and injury.**

## Maintenance

Make sure all of the nuts and bolts are secure and that the brakes are working properly. If you have any questions about the operation and maintenance of your Jogger, please contact your Authorized Burley Dealer.

## Burley Jogger Kit Parts List and Diagram

1. Jogger Assembly
2. Jogger Wheel
3. Wheel Quick-Release Lever
4. Brake Cable Clips
5. Snap Screw
6. Wrist Tether (not shown)



## Burley Jogger Kit Limited Warranty

Burley accessories are warranted from date of purchase against defects in materials and workmanship under normal use and service. Burley will repair or replace parts it determines to be defective for a period of three years. The Burley accessory owner must present the accessory for repair at place of purchase, with an original sales receipt or similar proof of purchase. This warranty applies only to the original owner and is nontransferable. Burley can not be responsible for failure due to improper assembly, modification of parts or instructions, neglect, abuse, accident, and/or normal wear. The warranty does not cover any accessory used for rental, competition, or commercial use.

Burley neither assumes nor authorizes any person to assume any other liability in connection with this Burley product, and there are no oral agreements or warranties collateral to or affecting this agreement. This warranty gives you specific rights. You may also have other rights which vary by state or country.



**BURLEY®**

P.541.687.1644 800.423.8445 F.541.687.0436

BURLEY DESIGN: 4020 Stewart Rd., Eugene, OR 97402

burley@burley.com burley.com