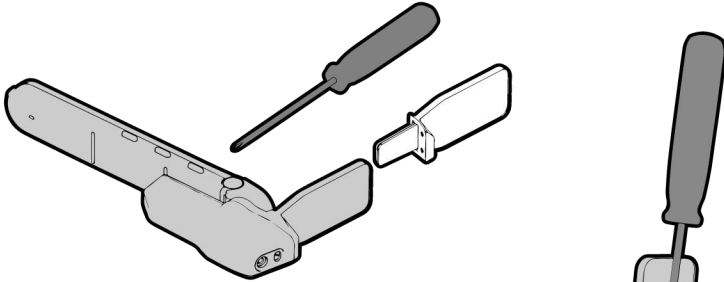
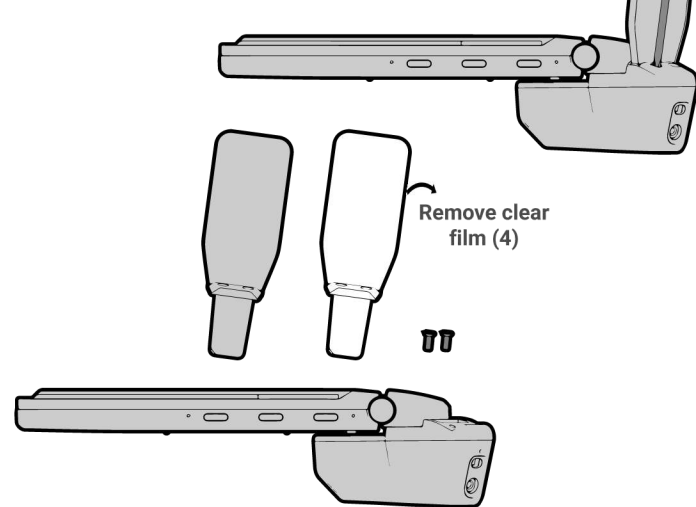


## M4000 WAVEGUIDE REPLACEMENT INSTRUCTIONS

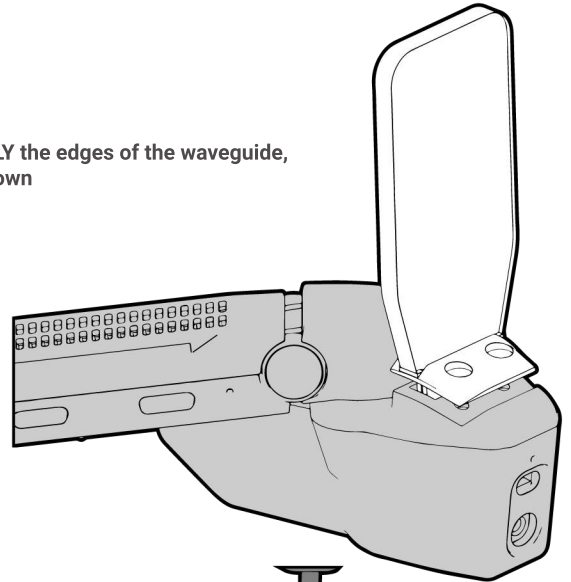
1. Small Phillips Head Screwdriver (#00) recommended



2. Waveguide Removal



3. Holding ONLY the edges of the waveguide, position as shown



4. Carefully replace and tighten the screws (do not overtighten)

