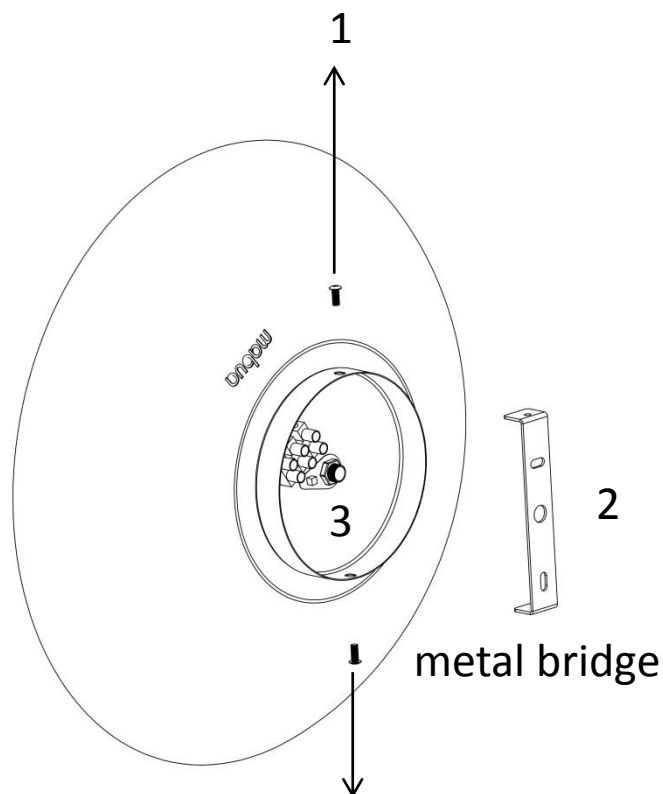


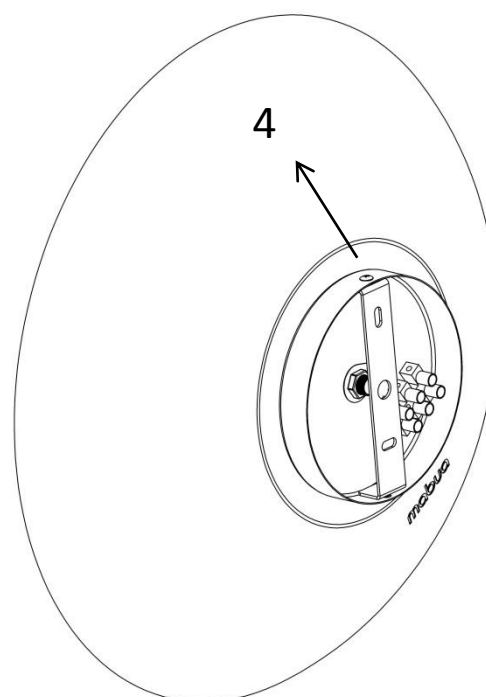
important: Please read instructions carefully before installation.
The lamp assembly and electrical work should be carried out by a qualified electrician.

1. Unscrew the 2 screws.
2. Install the metal bridge to the wall.
3. Connect the voltage supply wire (from the wall) to the main rod.



4. Screw back the screws

- . Bulb: E14/E12
10W MAX X1
2700-3000K



Enjoy and thank you
MABUA