

**important: Please read instructions carefully before installation.**  
The lamp assembly and electrical work should be carried out by a qualified electrician.

Make sure the power is **off**

1. First of all you should decide on the location of the lampshade

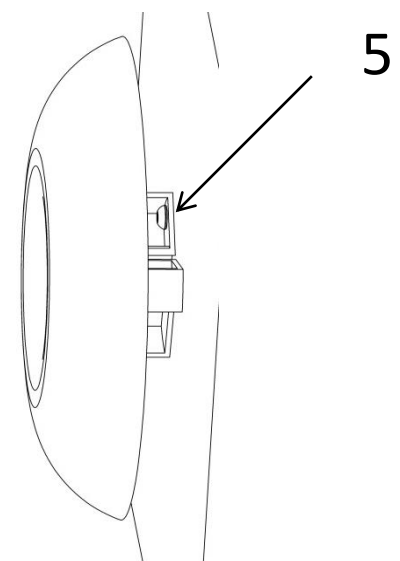
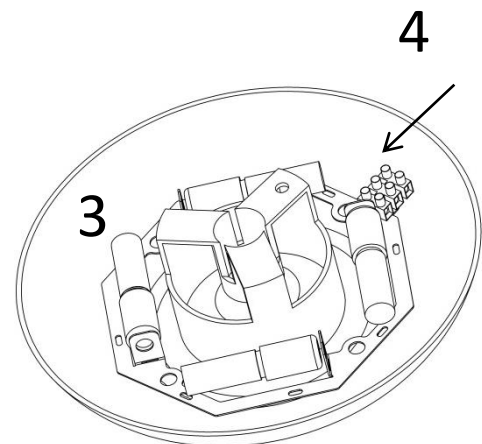
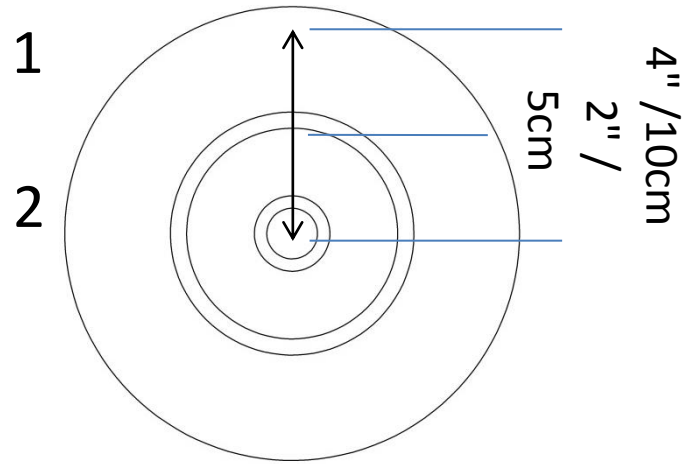
The electricity in the wall should be above the center of the lampshade about 4" /10cm

- 2 .Attach a screw to the wall below the electrical point about 2 " 4cm (do not screw all the way in)

3. Connect 4 bulbs
4. Connect the electricity in the wall to the lampshade wires.

5. Hang the lampshade in the place marked on the shoulder of the screw.

Bulbs: G9 5W MAX X4  
2700-3000K



Enjoy and thank you  
MABUA